



US00D852322S

(12) **United States Design Patent**  
**Downie et al.**

(10) **Patent No.:** **US D852,322 S**

(45) **Date of Patent:** **\*\* Jun. 25, 2019**

(54) **MAGNETIC FILTER**

(71) Applicant: **Adey Holding (2008) Limited,**  
Cheltenham (GB)

(72) Inventors: **Simon Downie,** Cheltenham (GB);  
**Kelvin Leung,** Cheltenham (GB)

(73) Assignee: **ADEY HOLDINGS (2008) LIMITED,**  
Cheltenham Gloucestershire (GB)

(\*\*) Term: **15 Years**

(21) Appl. No.: **29/636,589**

(22) Filed: **Feb. 9, 2018**

(30) **Foreign Application Priority Data**

Aug. 10, 2017 (GB) ..... 6016760

(51) **LOC (11) Cl.** ..... **23-01**

(52) **U.S. Cl.**  
USPC ..... **D23/209**

(58) **Field of Classification Search**

USPC ..... D23/207, 209, 228

CPC ..... B05B 1/18; C02F 1/003; B01D 24/10;

B01D 35/30; B01D 35/153; B01D 27/08;

B01D 2201/30; B01D 2201/29; B01D

35/06; B01D 17/00

See application file for complete search history.

(56) **References Cited**

**U.S. PATENT DOCUMENTS**

4,176,065 A \* 11/1979 Cook ..... B03C 1/28  
209/223.1

D319,287 S \* 8/1991 Baumstark ..... D23/207  
D622,347 S \* 8/2010 Adey ..... D23/207  
D675,705 S \* 2/2013 Mallol ..... D23/207  
D705,390 S \* 5/2014 Okazaki ..... D23/207  
D718,835 S \* 12/2014 Lipkens ..... D23/207  
D722,674 S \* 2/2015 Lipkens ..... D23/207  
D806,206 S \* 12/2017 Konagayoshi ..... D23/207

\* cited by examiner

*Primary Examiner* — Robin V Webster

(74) *Attorney, Agent, or Firm* — Michael E. Dockins;  
Shumaker, Loop & Kendrick, LLP

(57) **CLAIM**

The ornamental design for magnetic filter, as shown and described.

**DESCRIPTION**

FIG. 1 is a front elevational view of a magnetic filter with a valve in a first position;

FIG. 2 is a perspective view thereof with a valve in the first position;

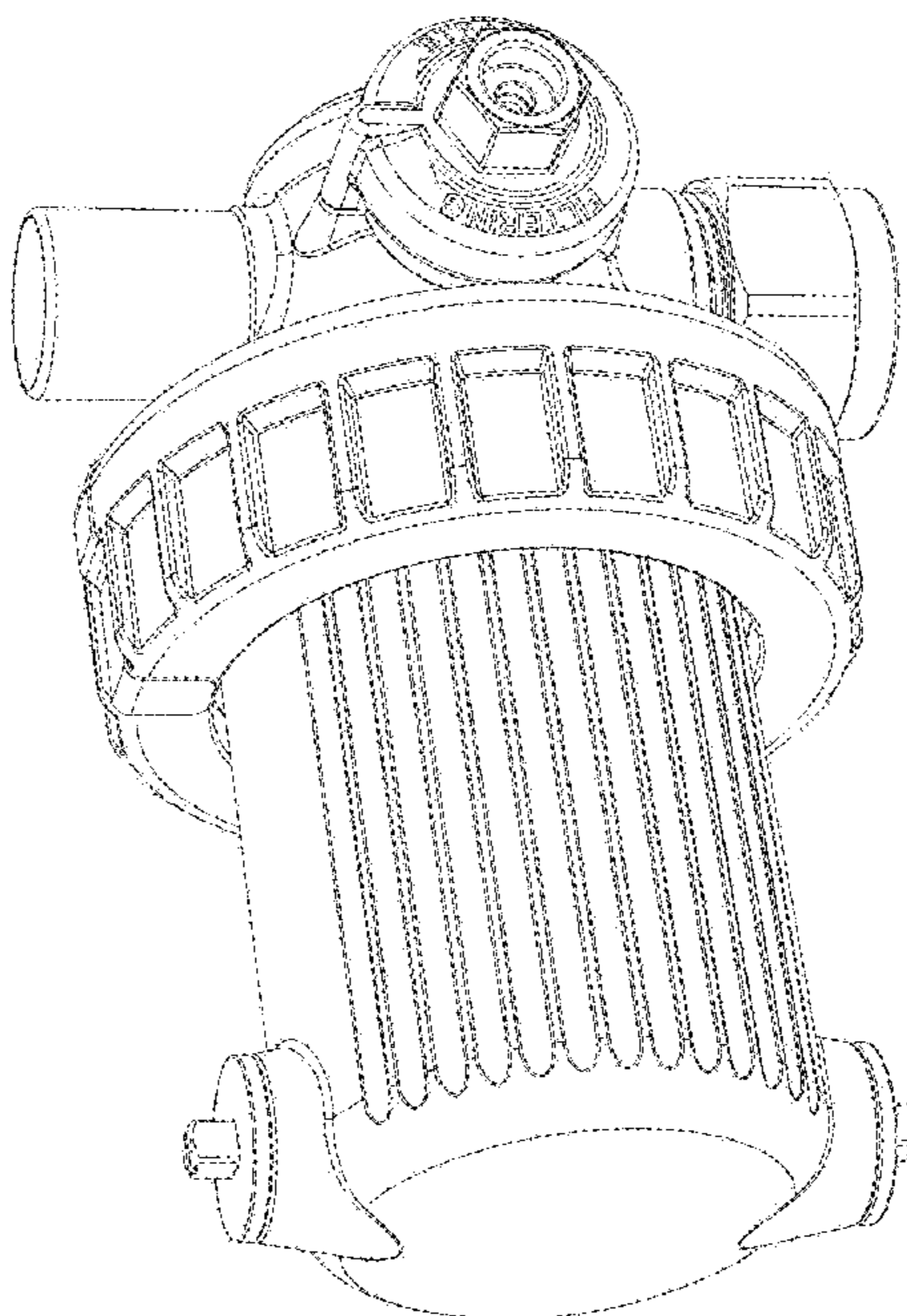
FIG. 3 is a rear elevational view thereof;

FIG. 4 is a bottom plan view thereof;

FIG. 5 is a front elevational view thereof with a valve in a second position; and,

FIG. 6 is a bottom plan view thereof.

**1 Claim, 6 Drawing Sheets**



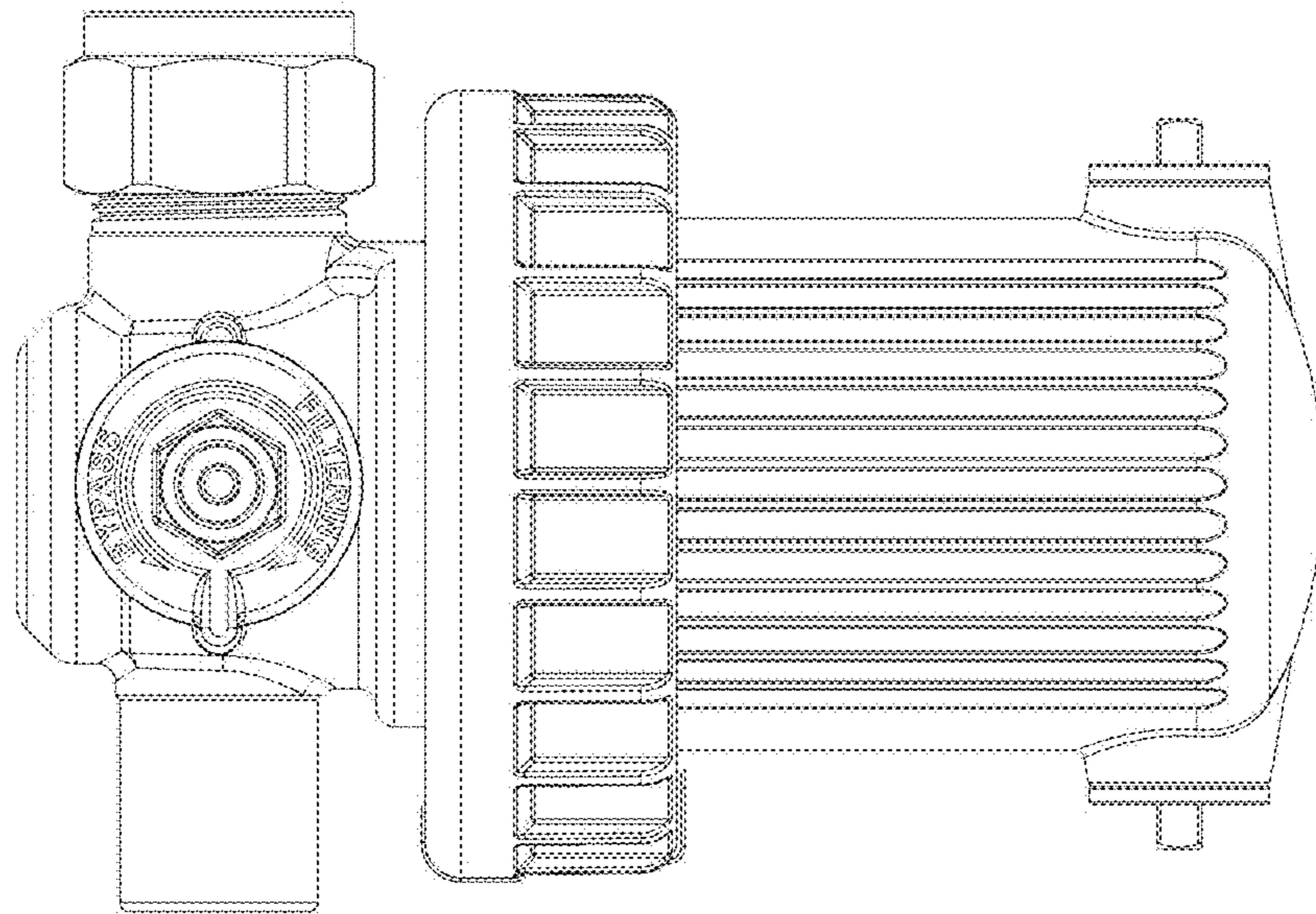
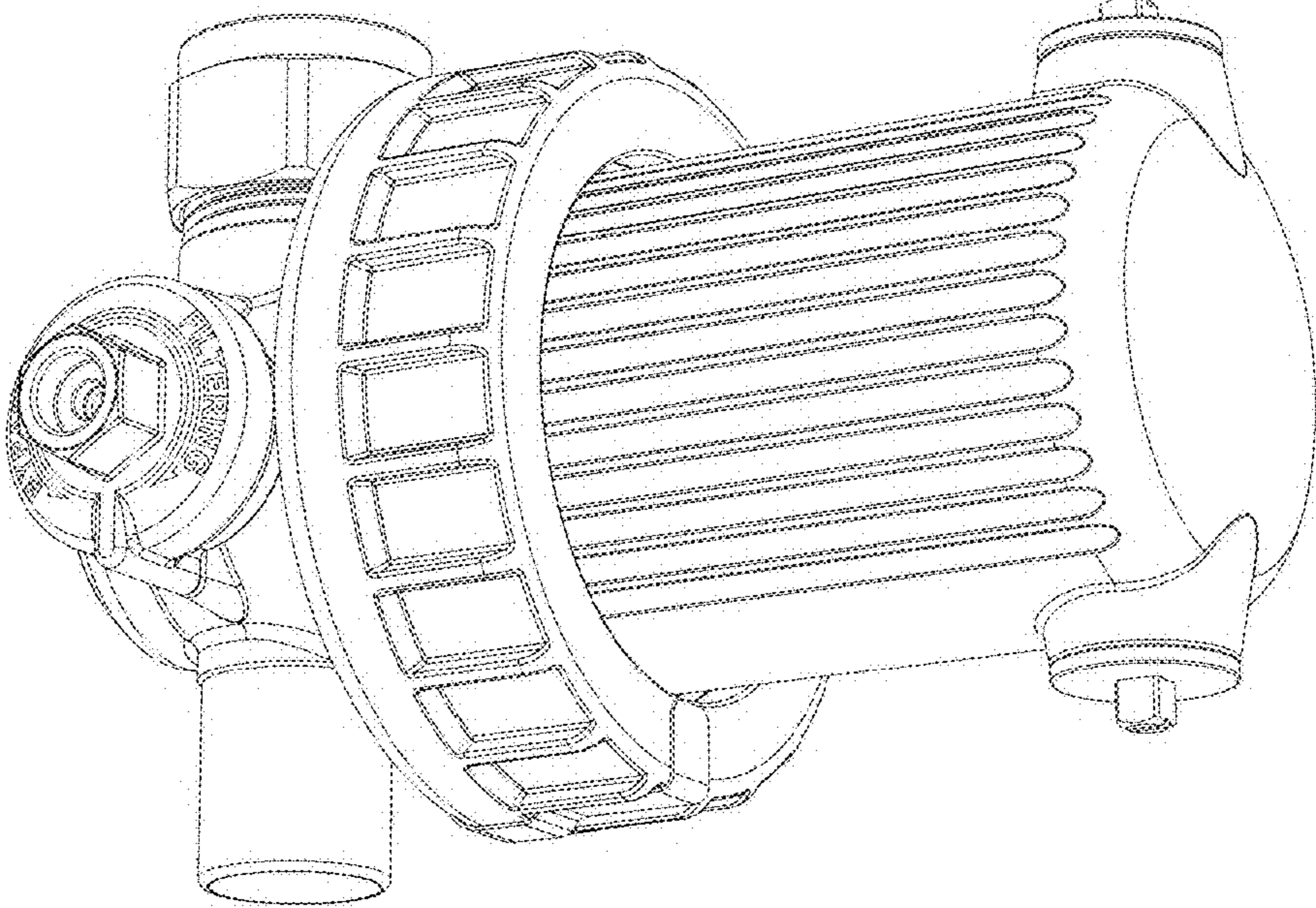


Fig. 1

Fig. 2



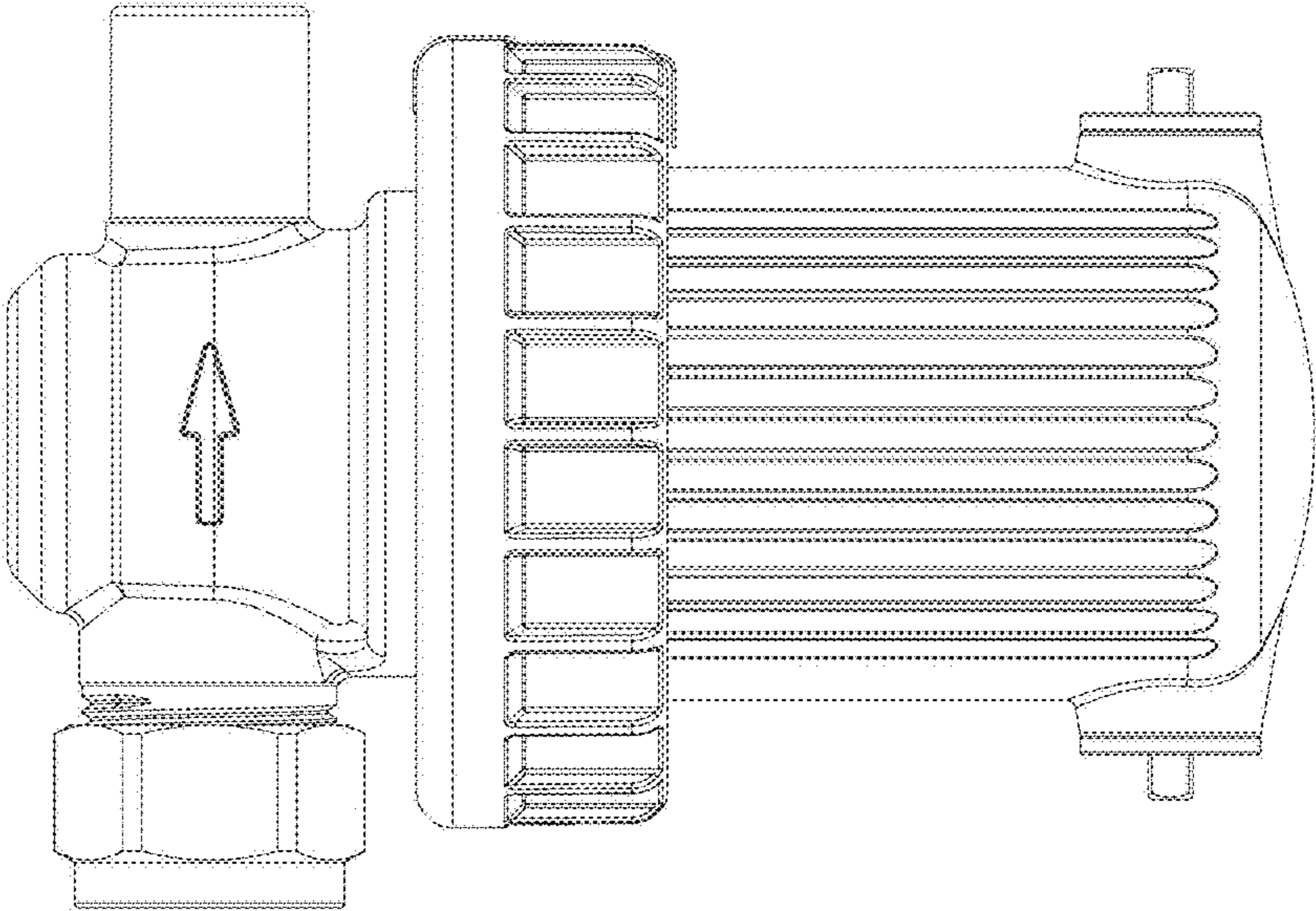


Fig. 3

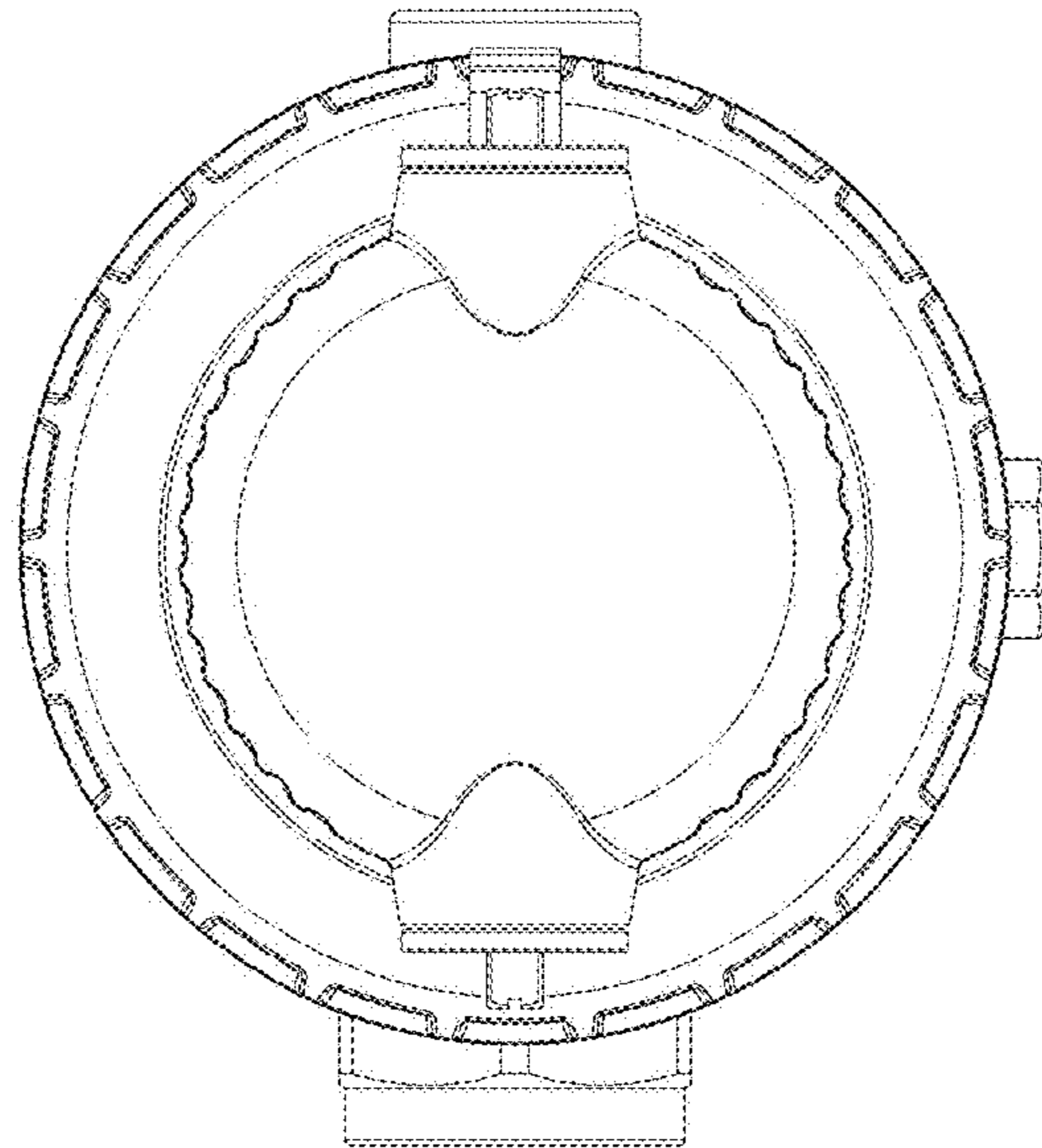
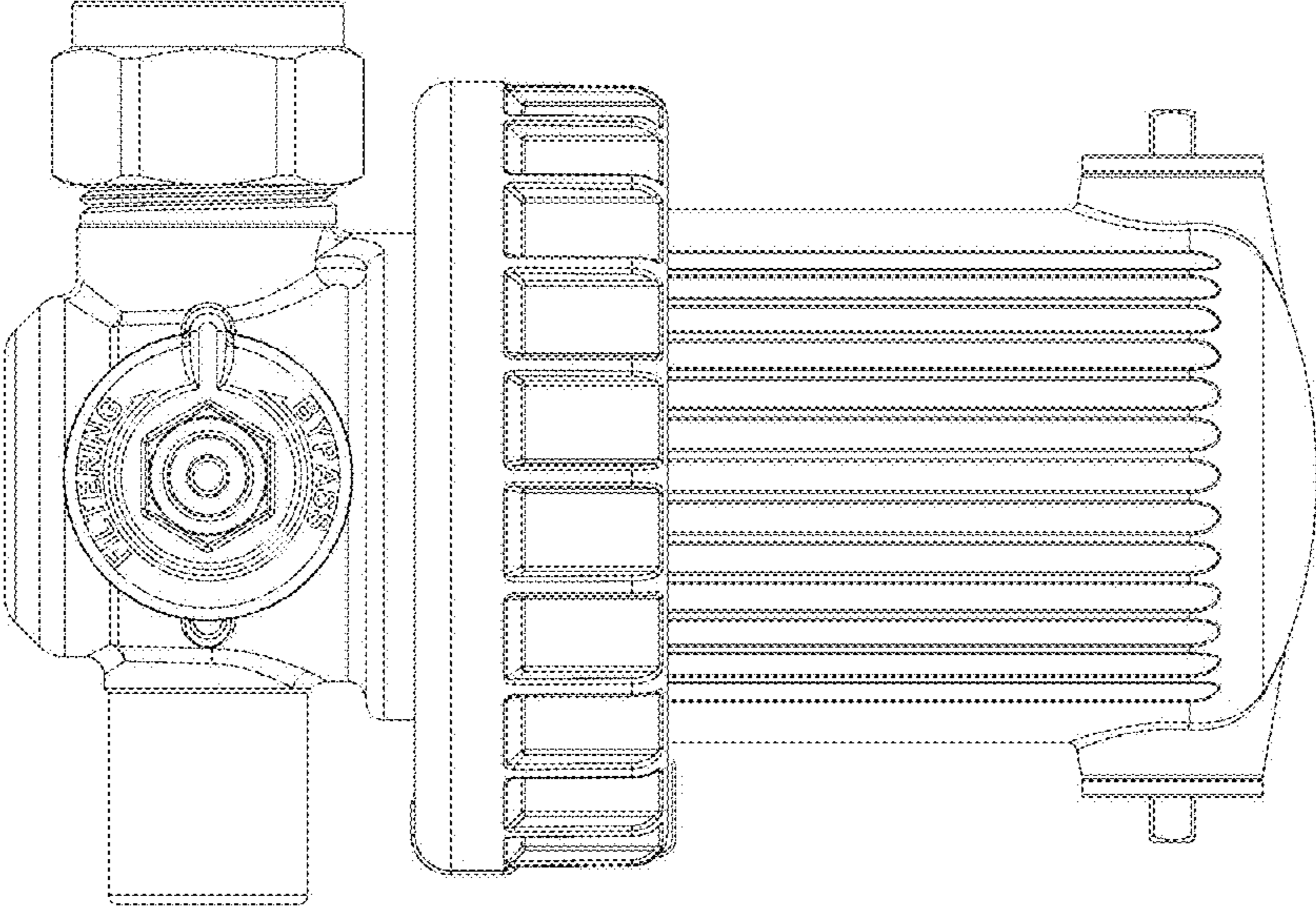


Fig. 4

Fig. 5



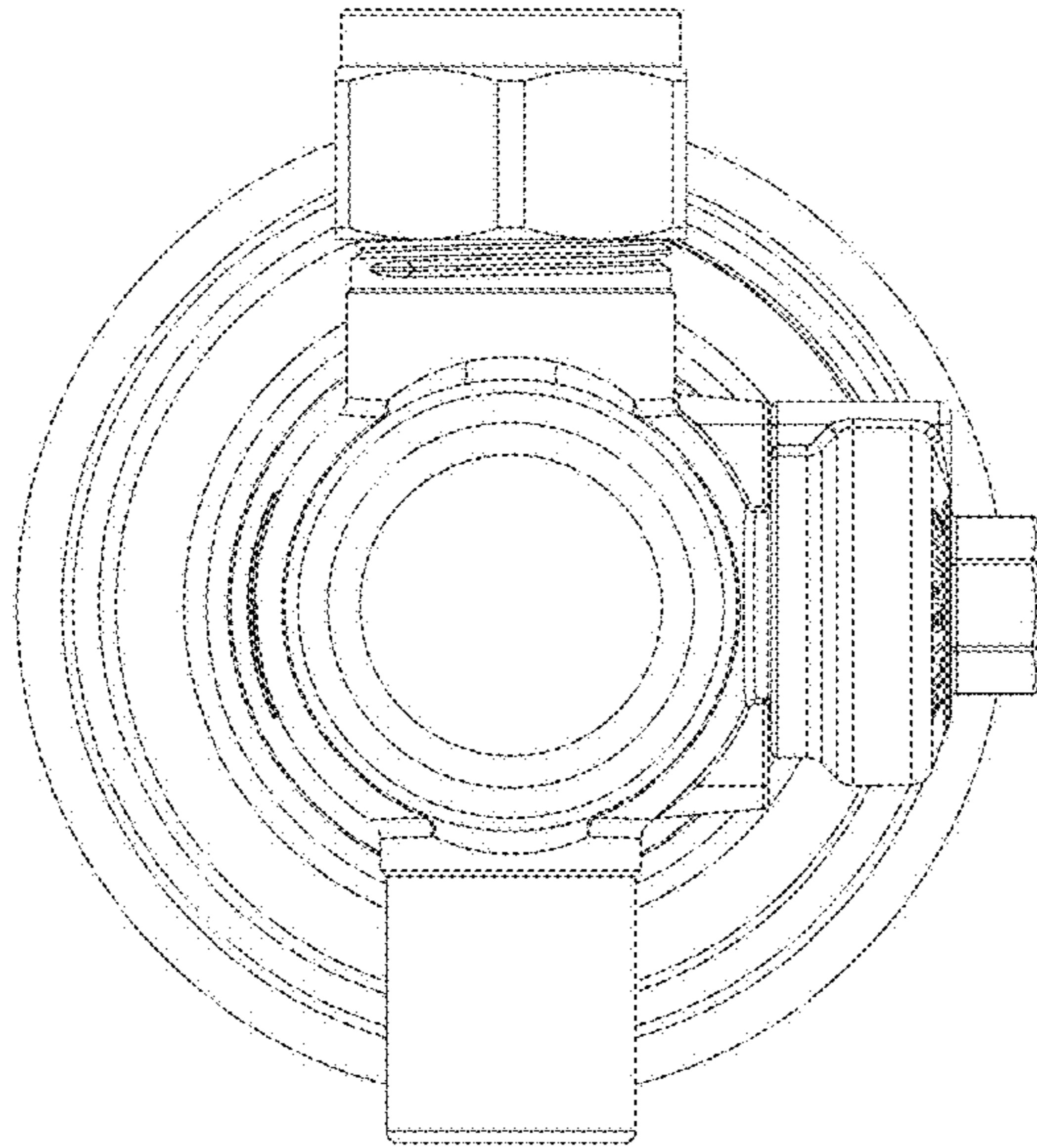


Fig. 6