



US00D852321S

(12) **United States Design Patent**
Downie et al.

(10) **Patent No.:** **US D852,321 S**

(45) **Date of Patent:** **** Jun. 25, 2019**

(54) **MAGNETIC FILTER**

(71) Applicant: **Adey Holding (2008) Limited,**
Cheltenham (GB)

(72) Inventors: **Simon Downie,** Cheltenham (GB);
Kelvin Leung, Cheltenham (GB)

(73) Assignee: **ADEY HOLDINGS (2008) LIMITED,**
Cheltenham Gloucestershire (GB)

(**) Term: **15 Years**

(21) Appl. No.: **29/636,587**

(22) Filed: **Feb. 9, 2018**

(30) **Foreign Application Priority Data**

Aug. 10, 2017 (GB) 6016758

(51) **LOC (11) Cl.** **23-01**

(52) **U.S. Cl.**
USPC **D23/209**

(58) **Field of Classification Search**

USPC D23/207, 209, 228

CPC B05B 1/18; C02F 1/003; B01D 24/10;

B01D 35/30; B01D 35/153; B01D 27/08;

B01D 2201/30; B01D 2201/29; B01D

35/06; B01D 17/00

See application file for complete search history.

(56) **References Cited**

U.S. PATENT DOCUMENTS

4,176,065 A * 11/1979 Cook B03C 1/28
209/223.1

D319,287 S * 8/1991 Baumstark D23/207

D622,347 S * 8/2010 Adey D23/207

D675,705 S * 2/2013 Mallol D23/207

D705,390 S * 5/2014 Okazaki D23/207

D718,835 S * 12/2014 Lipkens D23/207

D722,674 S * 2/2015 Lipkens D23/207

D806,206 S * 12/2017 Konagayoshi D23/207

* cited by examiner

Primary Examiner — Robin V Webster

(74) *Attorney, Agent, or Firm* — Michael E. Dockins;
Shumaker, Loop & Kendrick, LLP

(57) **CLAIM**

The ornamental design for magnetic filter, as shown and described.

DESCRIPTION

FIG. 1 is a front elevational view of a magnetic filter with a valve in a first position;

FIG. 2 is a perspective view thereof with a valve in the first position;

FIG. 3 is a perspective view thereof with a valve in a second position;

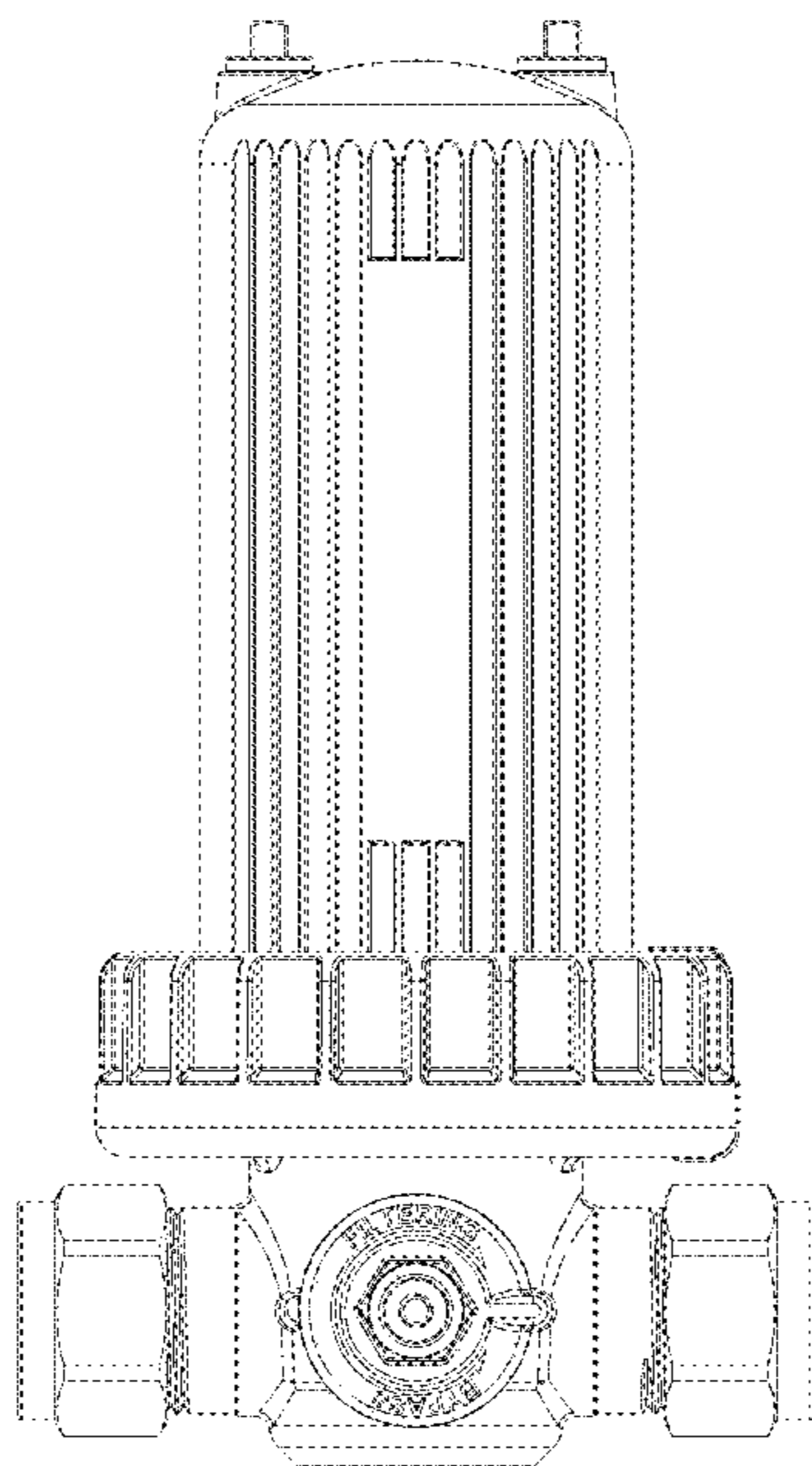
FIG. 4 is a rear elevational view thereof;

FIG. 5 is a bottom plan view thereof;

FIG. 6 is a front elevational view thereof with a valve in the second position; and,

FIG. 7 is a top plan view thereof thereof.

1 Claim, 7 Drawing Sheets



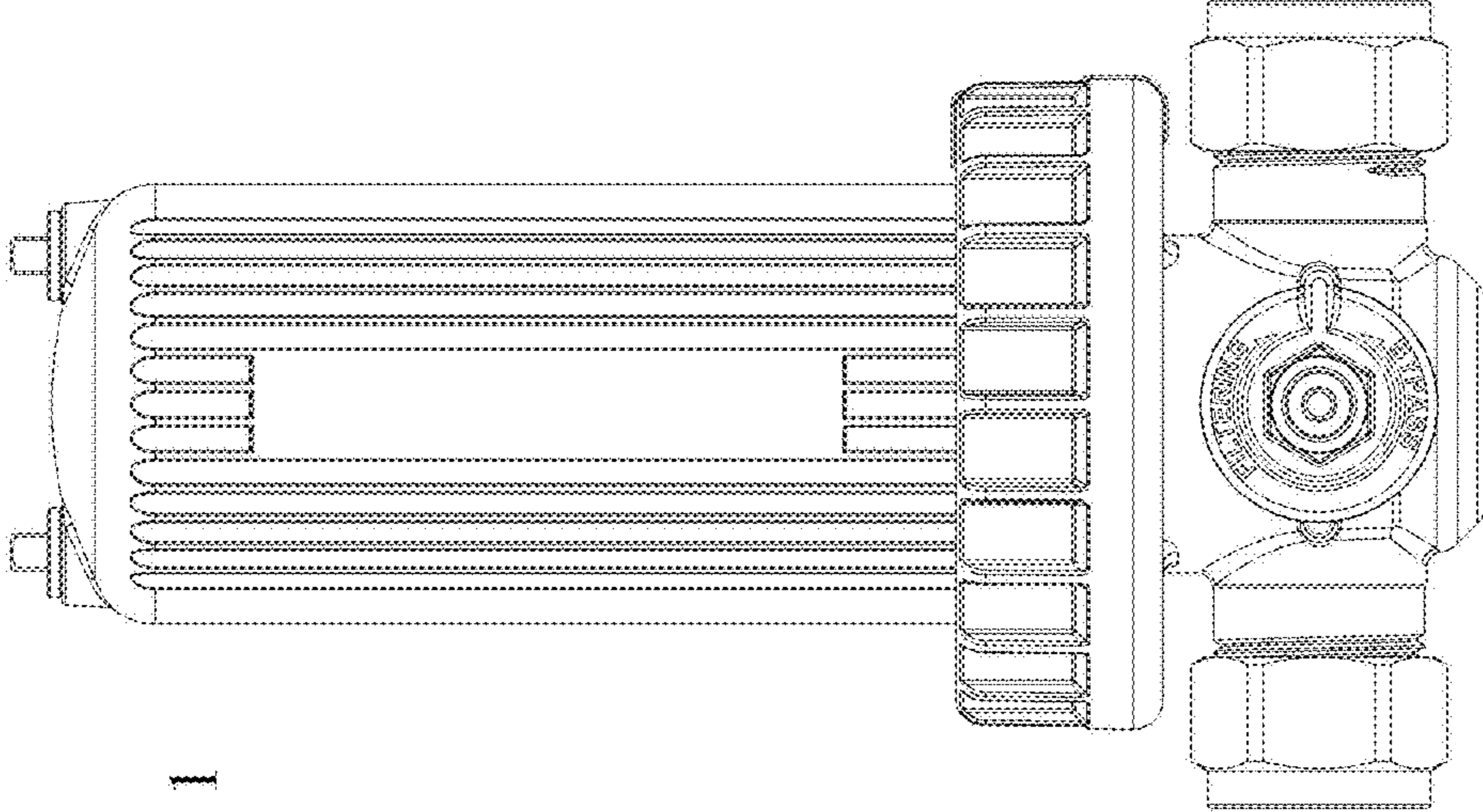


Fig. 1

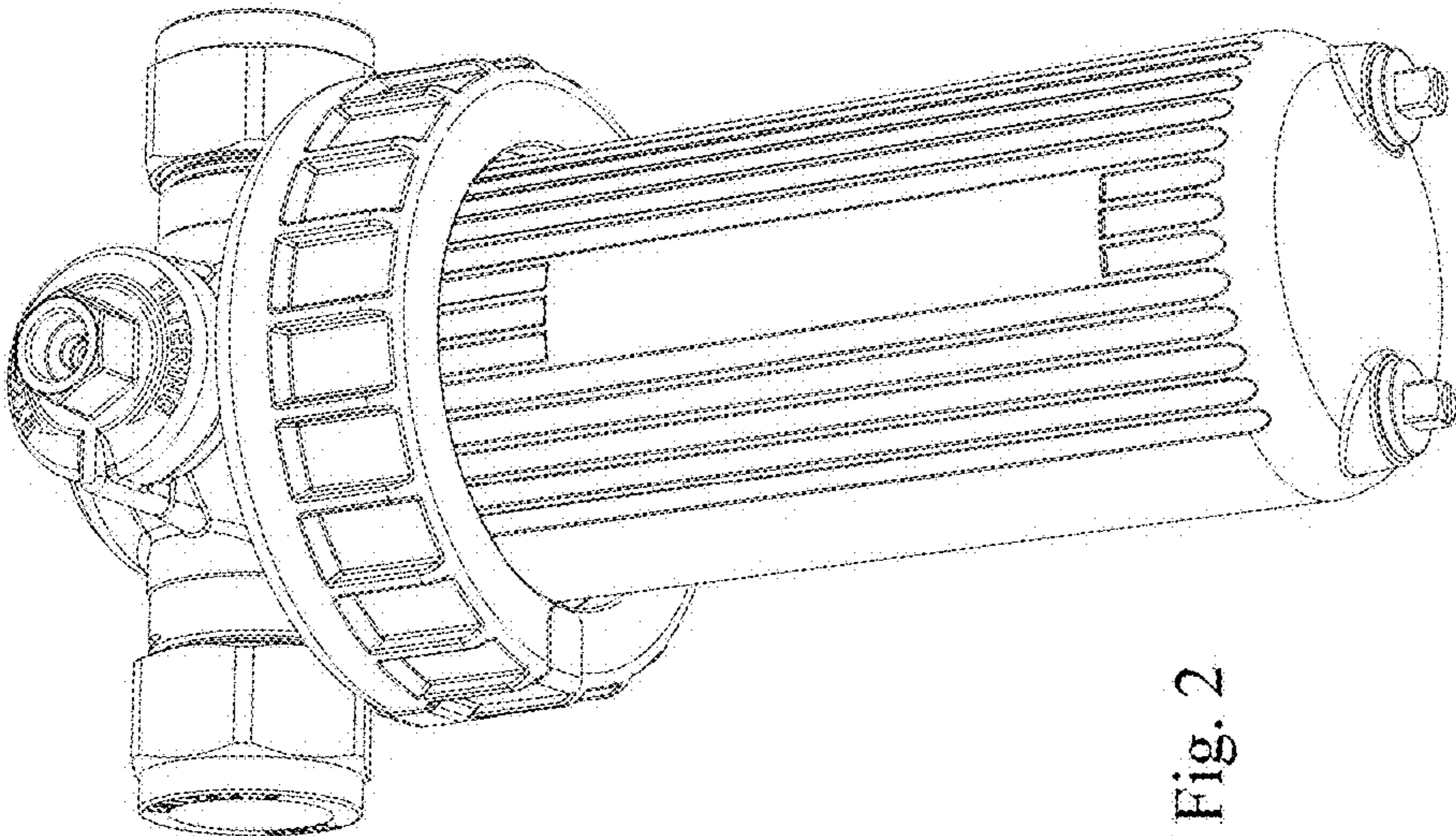


Fig. 2

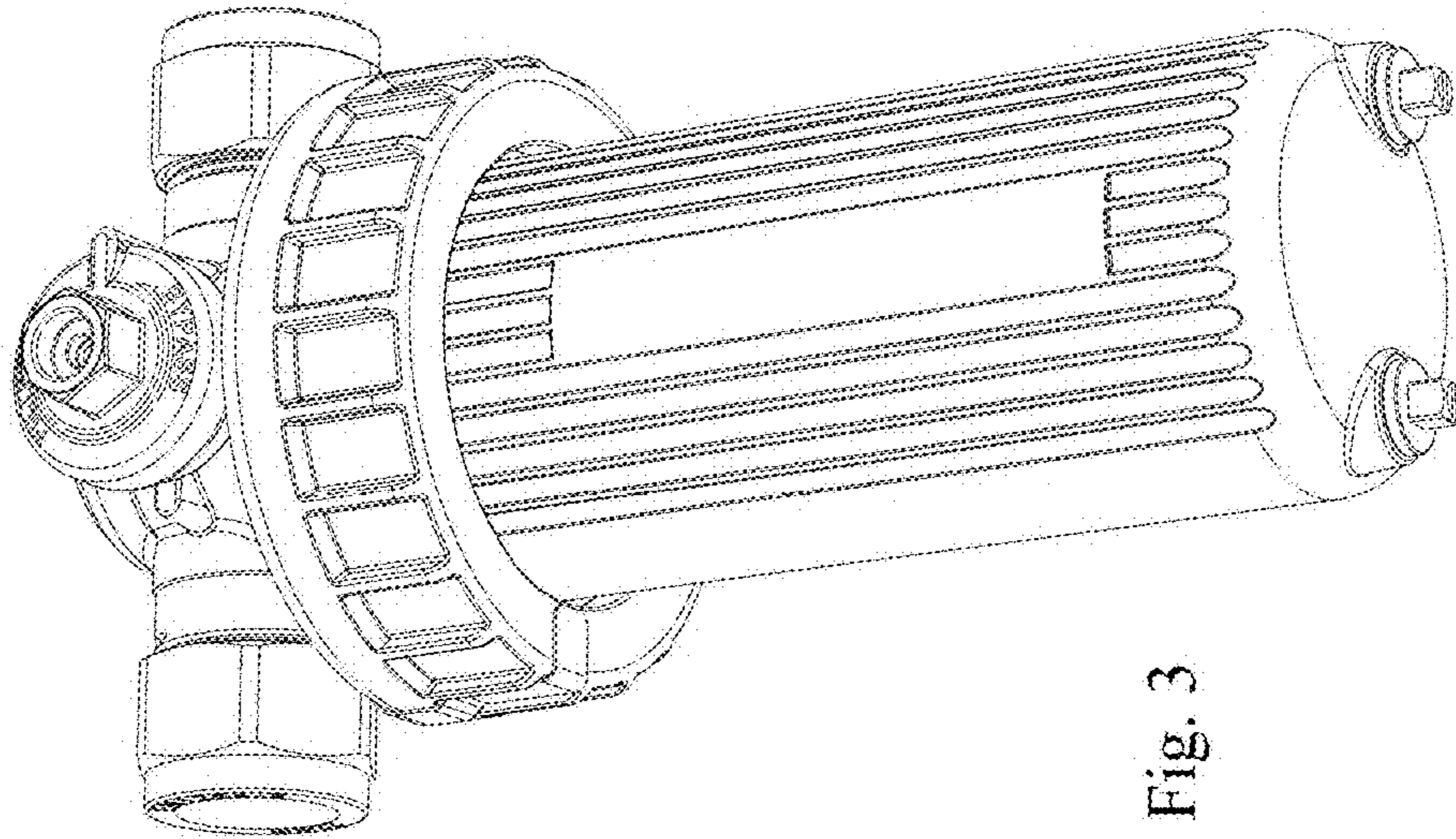


Fig. 3

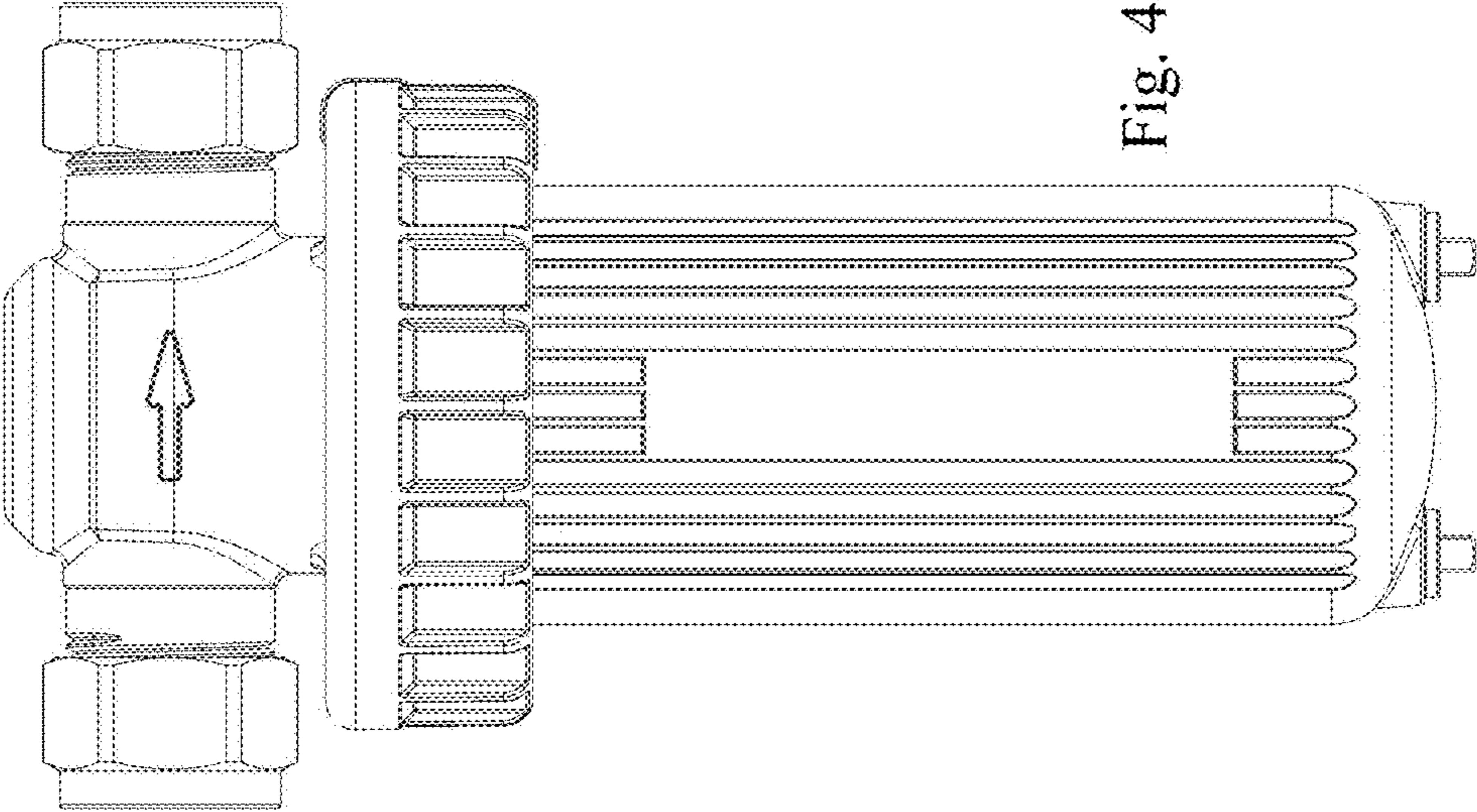


Fig. 4

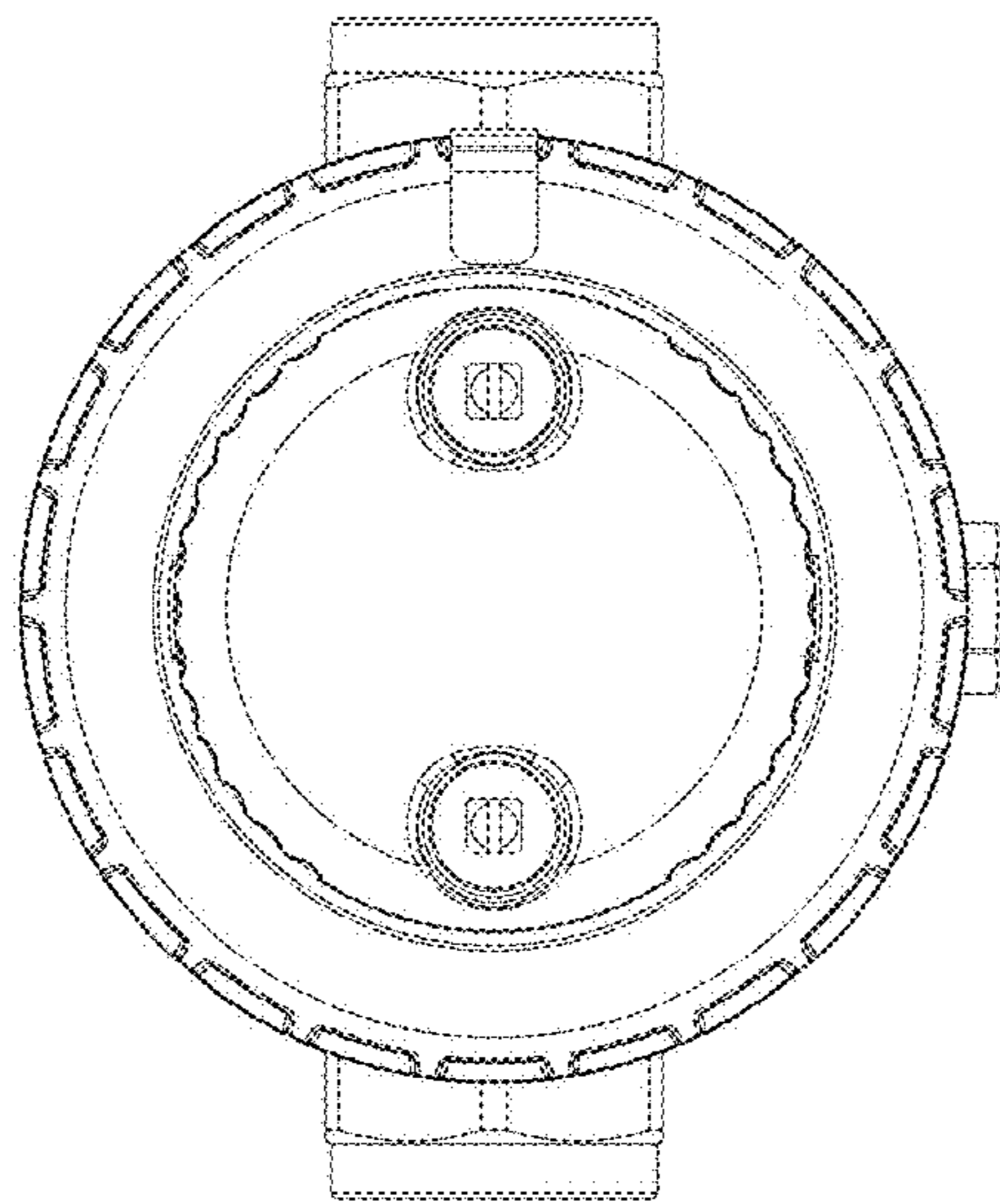


Fig. 5

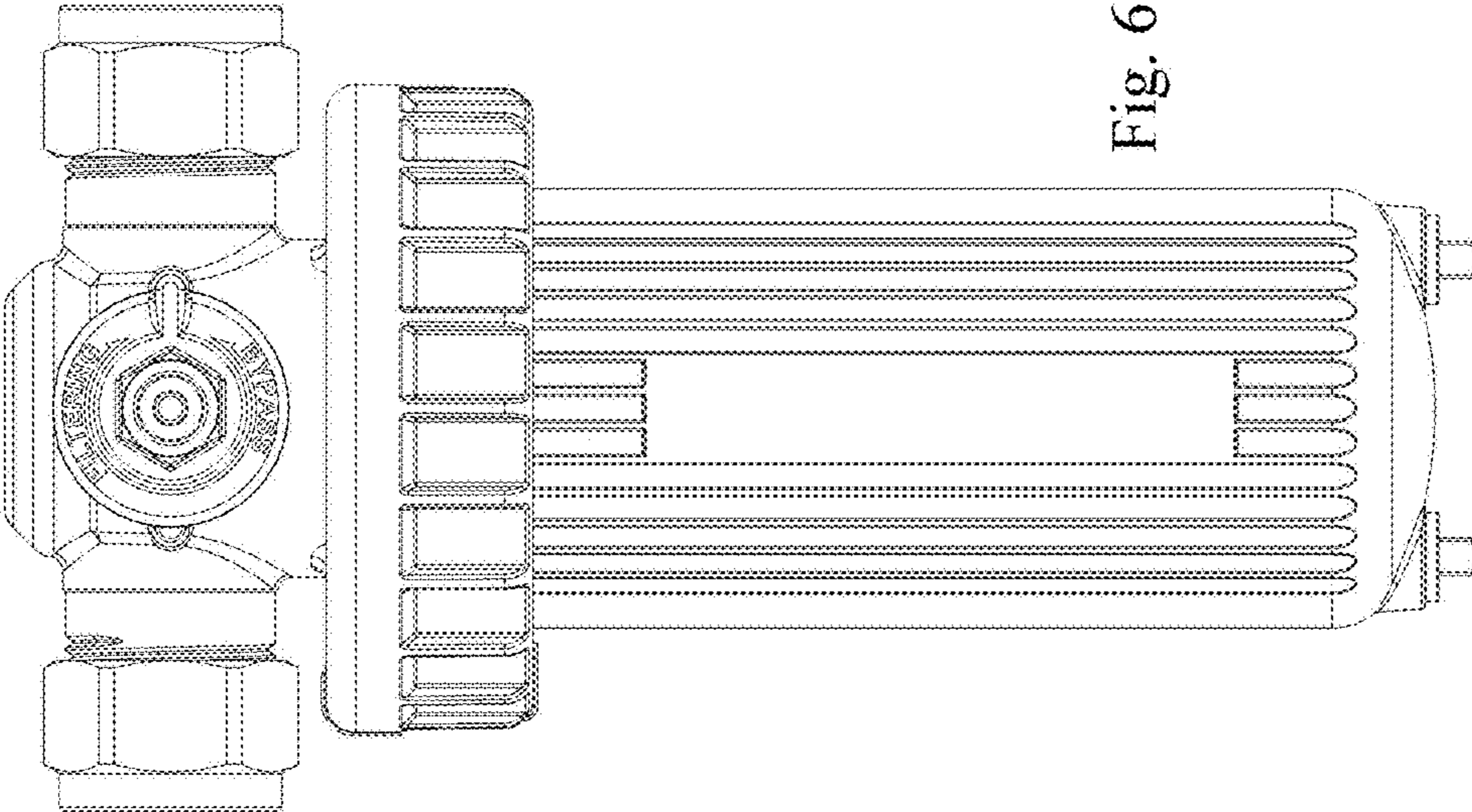


Fig. 6

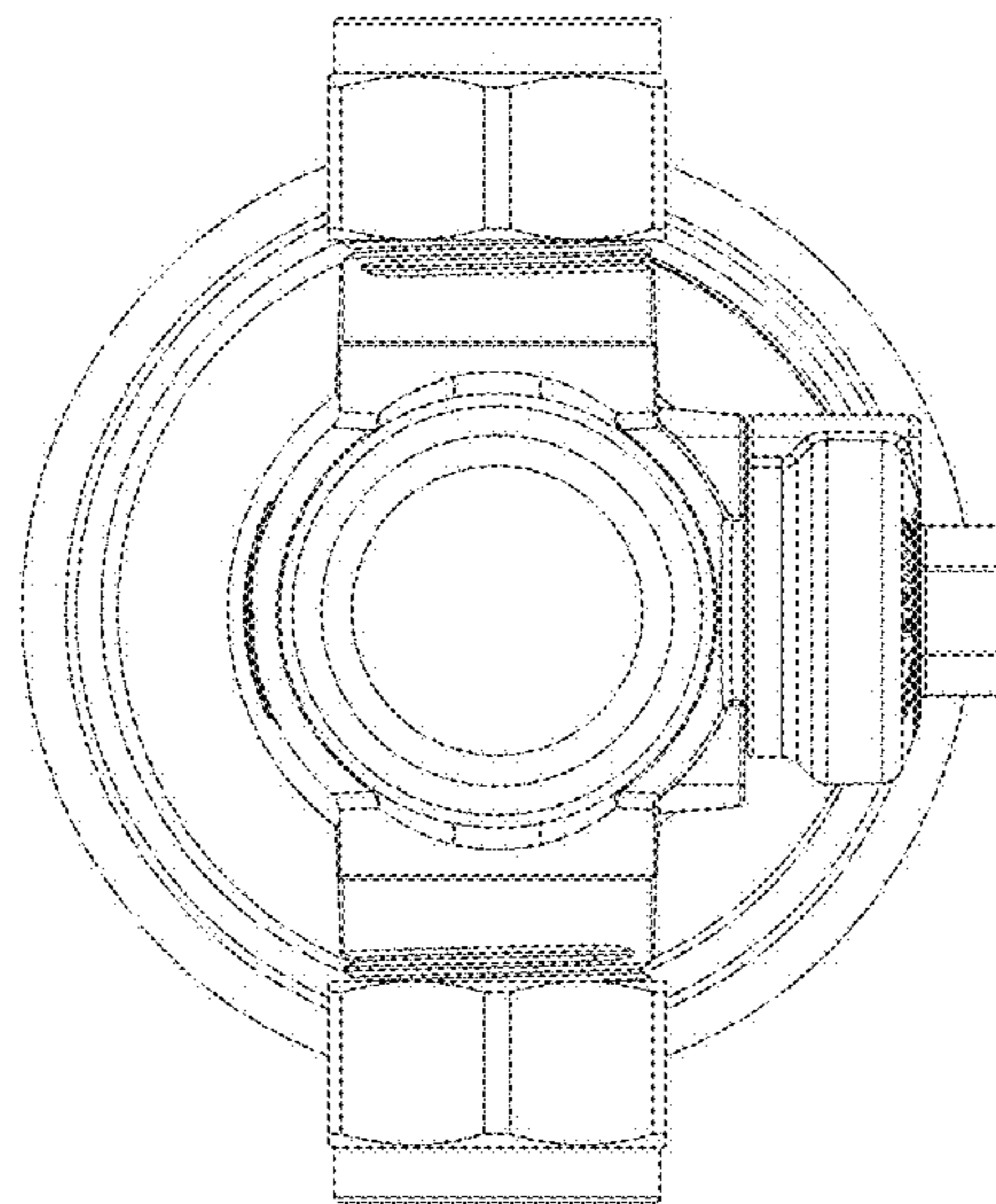


Fig. 7