



US00D852320S

(12) **United States Design Patent** (10) **Patent No.:** **US D852,320 S**
Farley (45) **Date of Patent:** **** Jun. 25, 2019**

(54) **SHOWER FILTER DESIGN**
(71) Applicant: **David K. Farley**, Corona, CA (US)
(72) Inventor: **David K. Farley**, Corona, CA (US)
(**) Term: **15 Years**
(21) Appl. No.: **29/627,689**
(22) Filed: **Nov. 29, 2017**
(51) **LOC (11) Cl.** **23-01**
(52) **U.S. Cl.**
USPC **D23/209**
(58) **Field of Classification Search**
USPC D23/207, 209, 228
CPC B05B 1/18; C02F 1/003; B01D 24/10;
B01D 35/30; B01D 35/153; B01D 27/08;
B01D 2201/30; B01D 2201/29
See application file for complete search history.

(56) **References Cited**
U.S. PATENT DOCUMENTS
D361,622 S * 8/1995 Farley B01D 29/01
D23/209
D366,095 S 1/1996 Farley
5,503,742 A * 4/1996 Farley B01D 29/01
210/238
D406,874 S * 3/1999 Farley D23/209
D409,718 S 5/1999 Farley
5,914,043 A 6/1999 Farley
D413,371 S * 8/1999 Douglas D23/209
6,016,977 A 1/2000 Farley
6,056,875 A 5/2000 Farley
6,187,187 B1 2/2001 Farley
D441,048 S * 4/2001 Archer D23/209
D444,536 S 7/2001 Farley
D446,841 S * 8/2001 Silva D23/209
6,270,023 B1 8/2001 Farley
6,325,930 B2 12/2001 Farley
D462,108 S 8/2002 Farley
D463,844 S 10/2002 Farley

6,537,455 B2 3/2003 Farley
D483,438 S 12/2003 Farley
RE39,142 E 6/2006 Farley
7,097,122 B1 8/2006 Farley
7,866,576 B1 1/2011 Farley
D638,099 S 5/2011 Farley
D638,514 S 5/2011 Farley
D638,515 S 5/2011 Farley
D659,796 S 5/2012 Farley
D659,797 S 5/2012 Farley
D665,474 S 8/2012 Farley
D665,478 S 8/2012 Farley
D666,010 S 8/2012 Farley
D667,925 S * 9/2012 Farley D23/209
D667,926 S 9/2012 Farley
D790,660 S * 6/2017 Zhadanov D23/209
(Continued)

FOREIGN PATENT DOCUMENTS

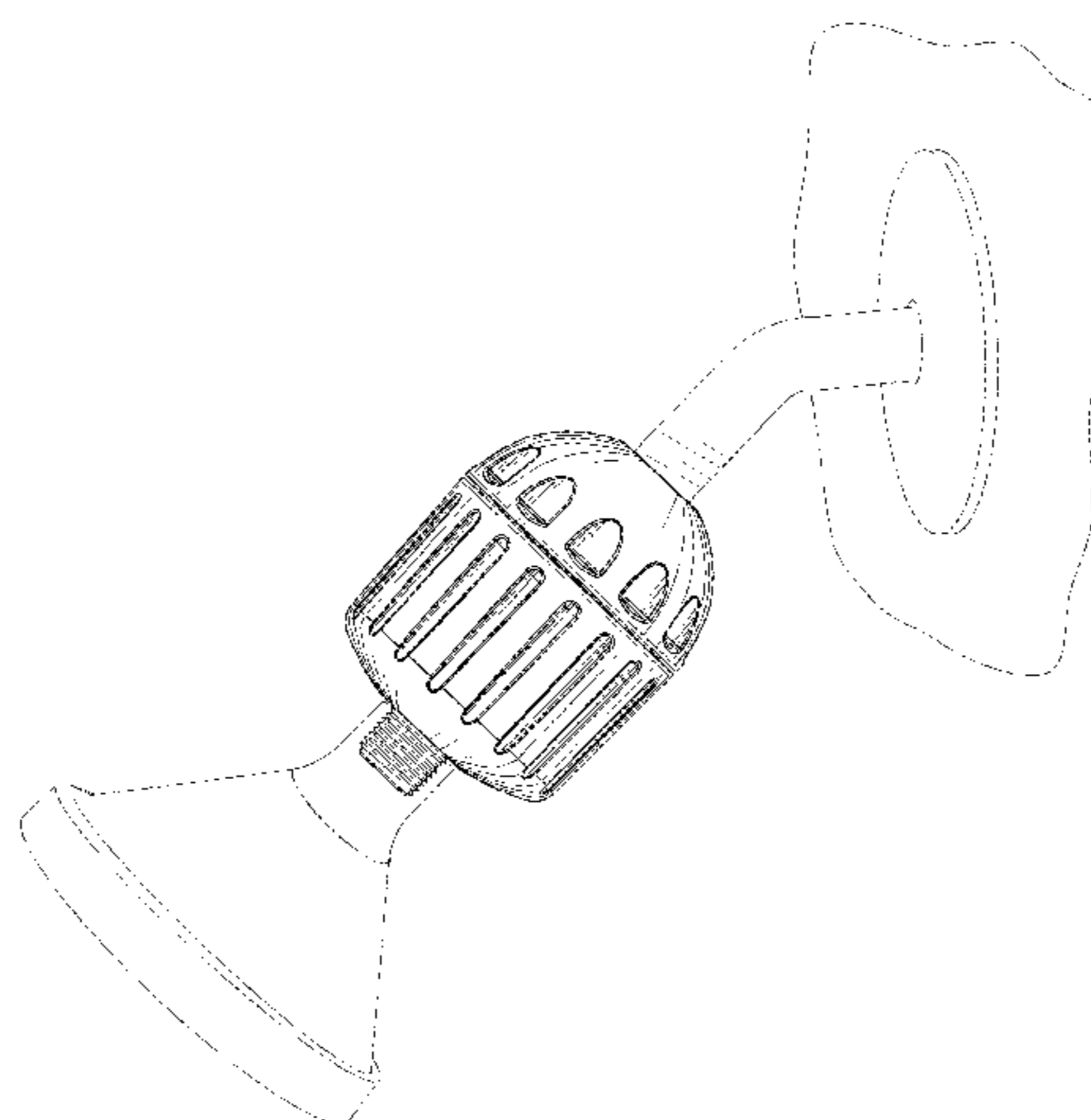
EP 1106259 8/2006
Primary Examiner — Robin V Webster
(74) *Attorney, Agent, or Firm* — Stetina Brunda Garred
and Brucker; Mark B. Garred

(57) **CLAIM**
The ornamental design for a shower filter design, as shown
and described.

DESCRIPTION

FIG. 1 is a side perspective view of the shower filter design
of the present invention showing my new design, connected
to a shower arm and a showerhead;
FIG. 2 is a side view of the invention;
FIG. 3 is a top perspective view of the invention;
FIG. 4 is a top view of the invention; and,
FIG. 5 is a bottom view of the invention.
The broken line showing of environment in FIGS. 1, 4 and
5 is included for the purpose of illustrating and forms no part
of the claimed design.

1 Claim, 3 Drawing Sheets



(56)

References Cited

U.S. PATENT DOCUMENTS

2012/0031511 A1 2/2012 Farley
2013/0319929 A1 12/2013 Farley

* cited by examiner

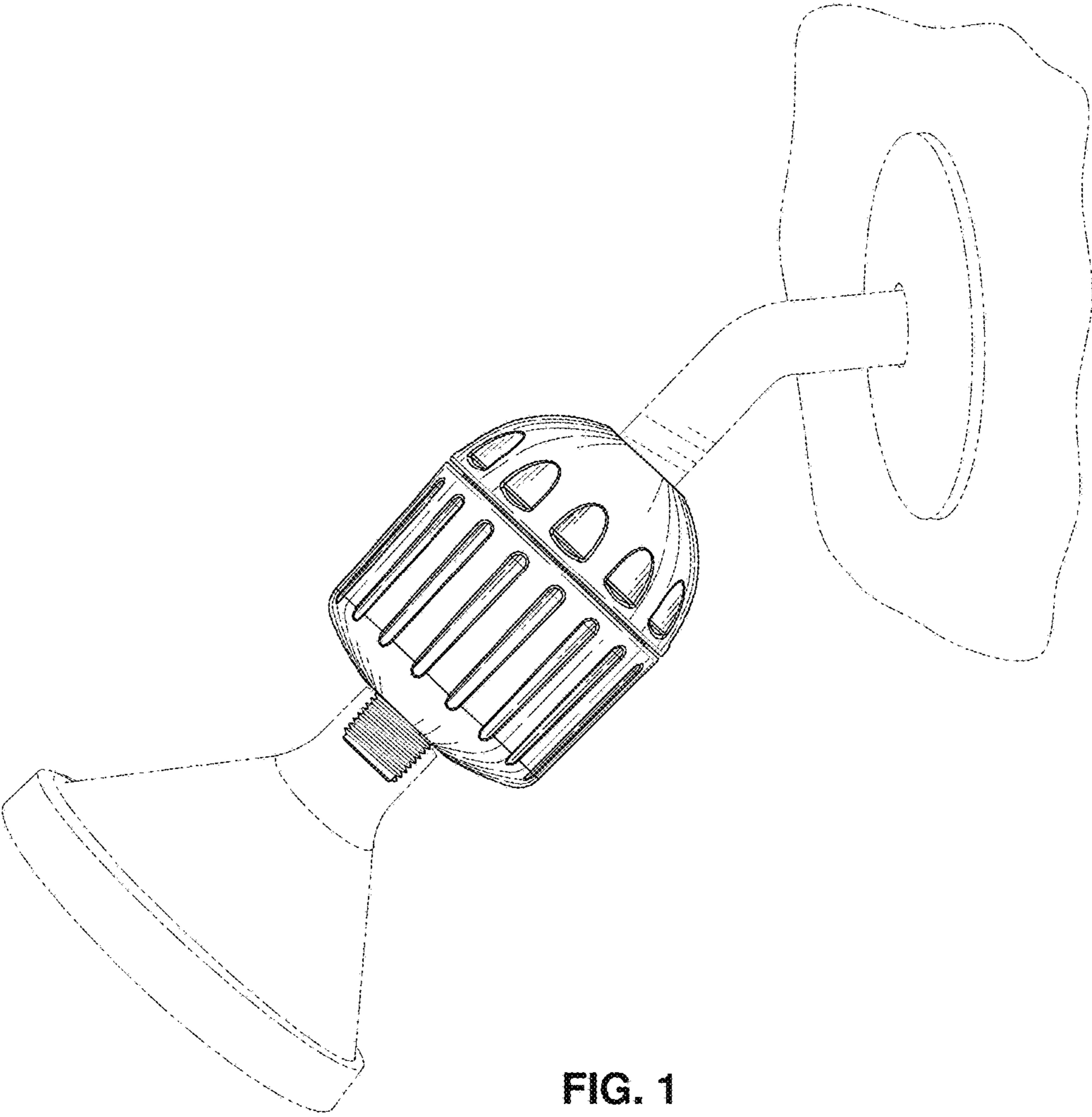


FIG. 1

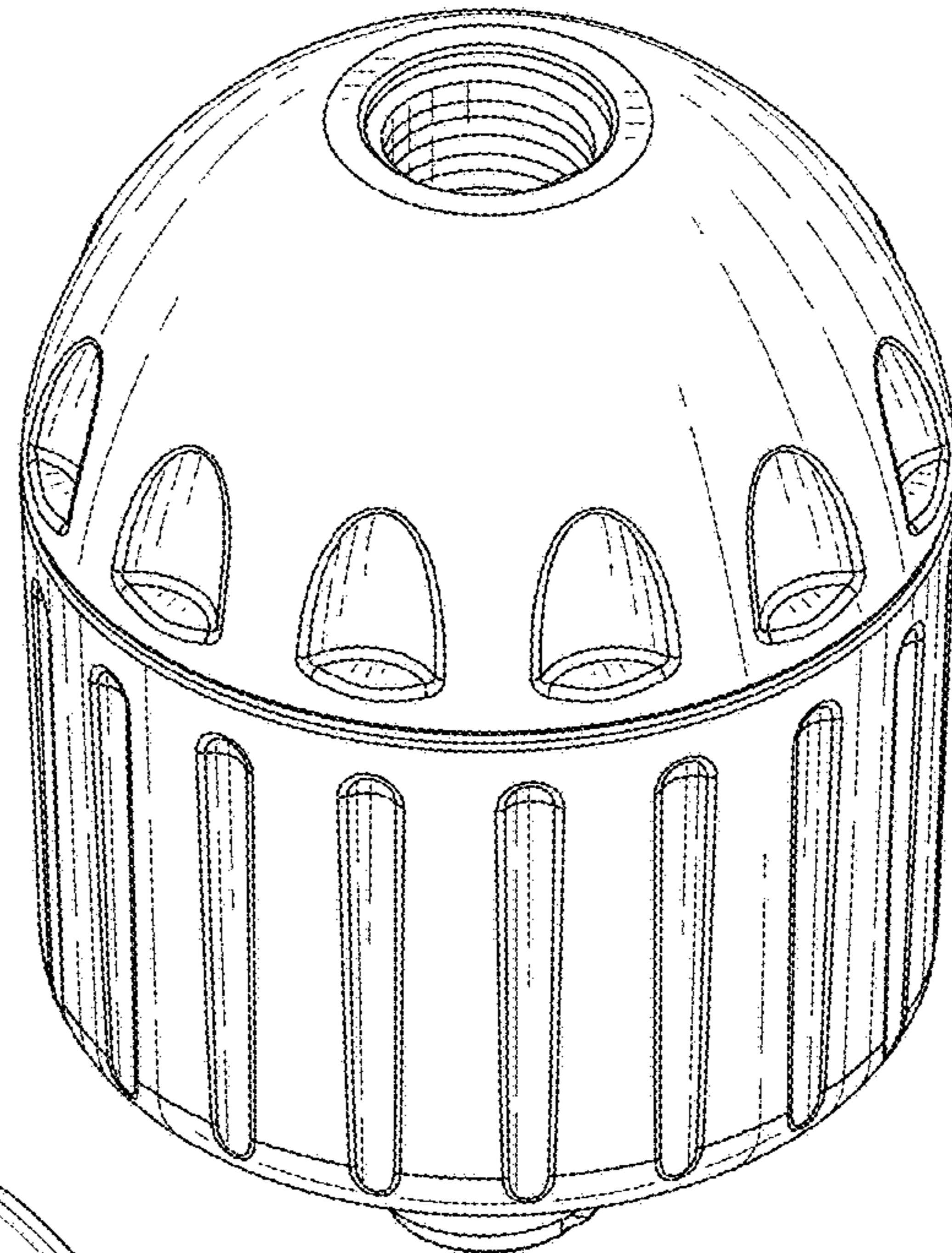


FIG. 3

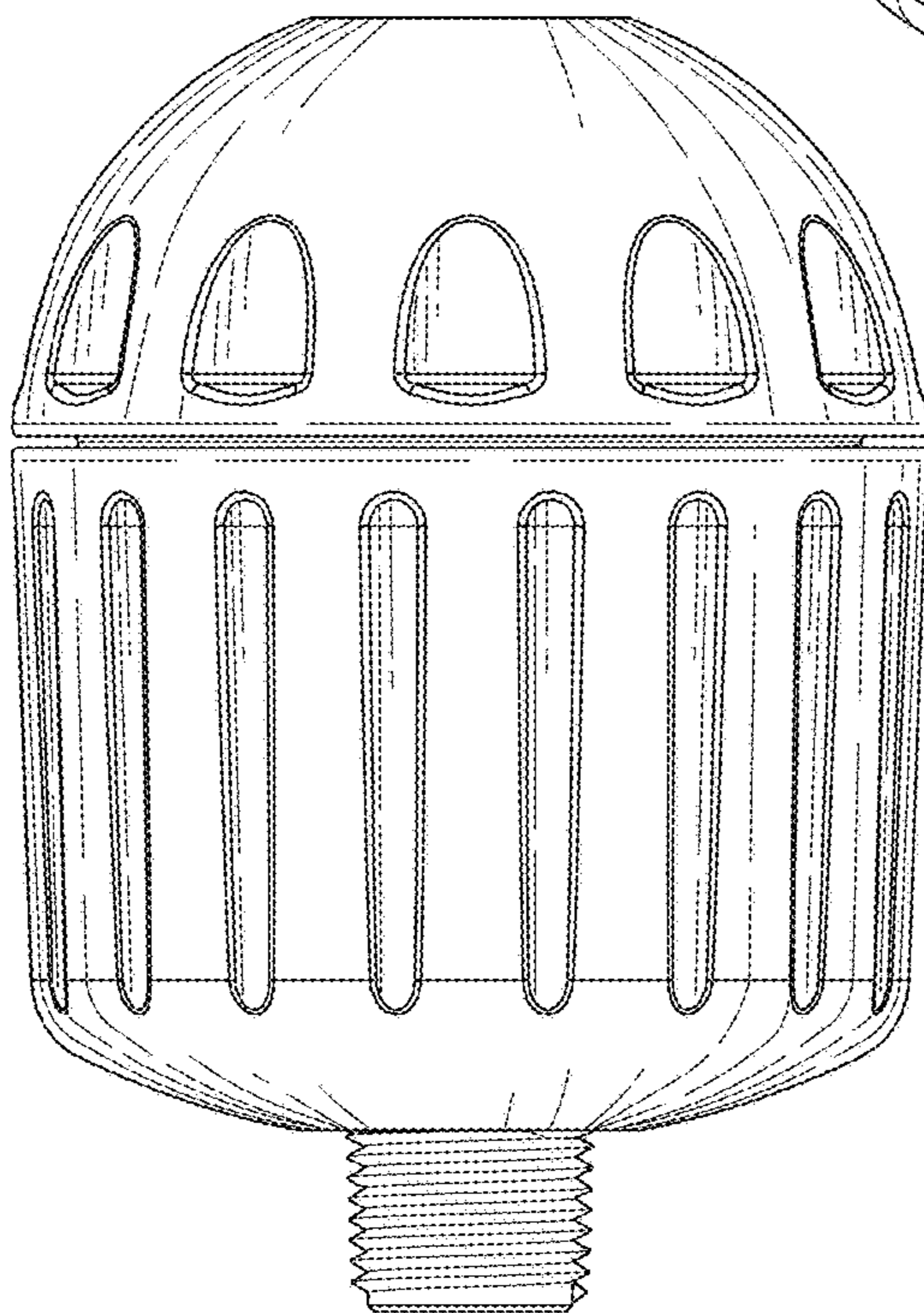


FIG. 2

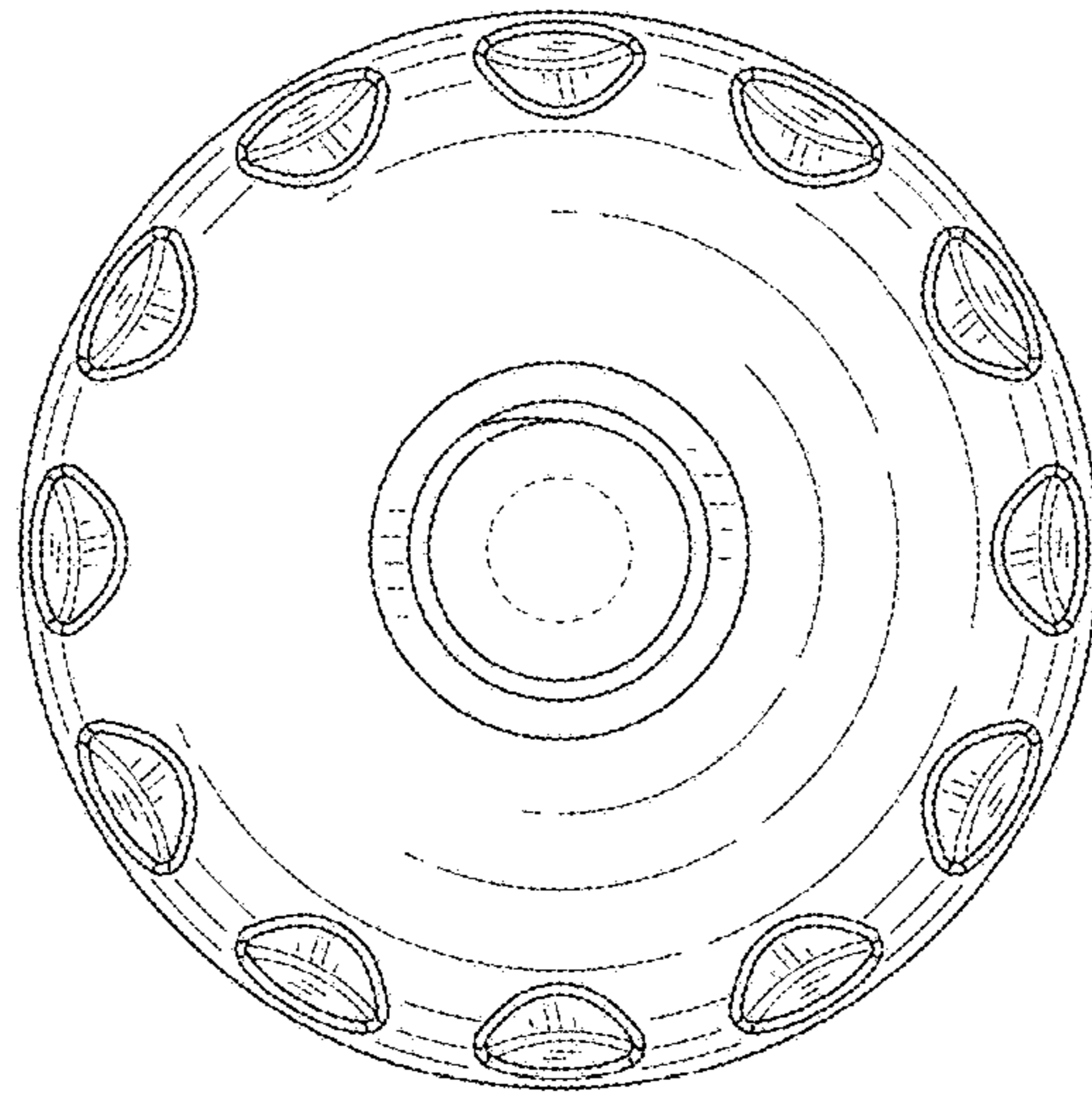


FIG. 4

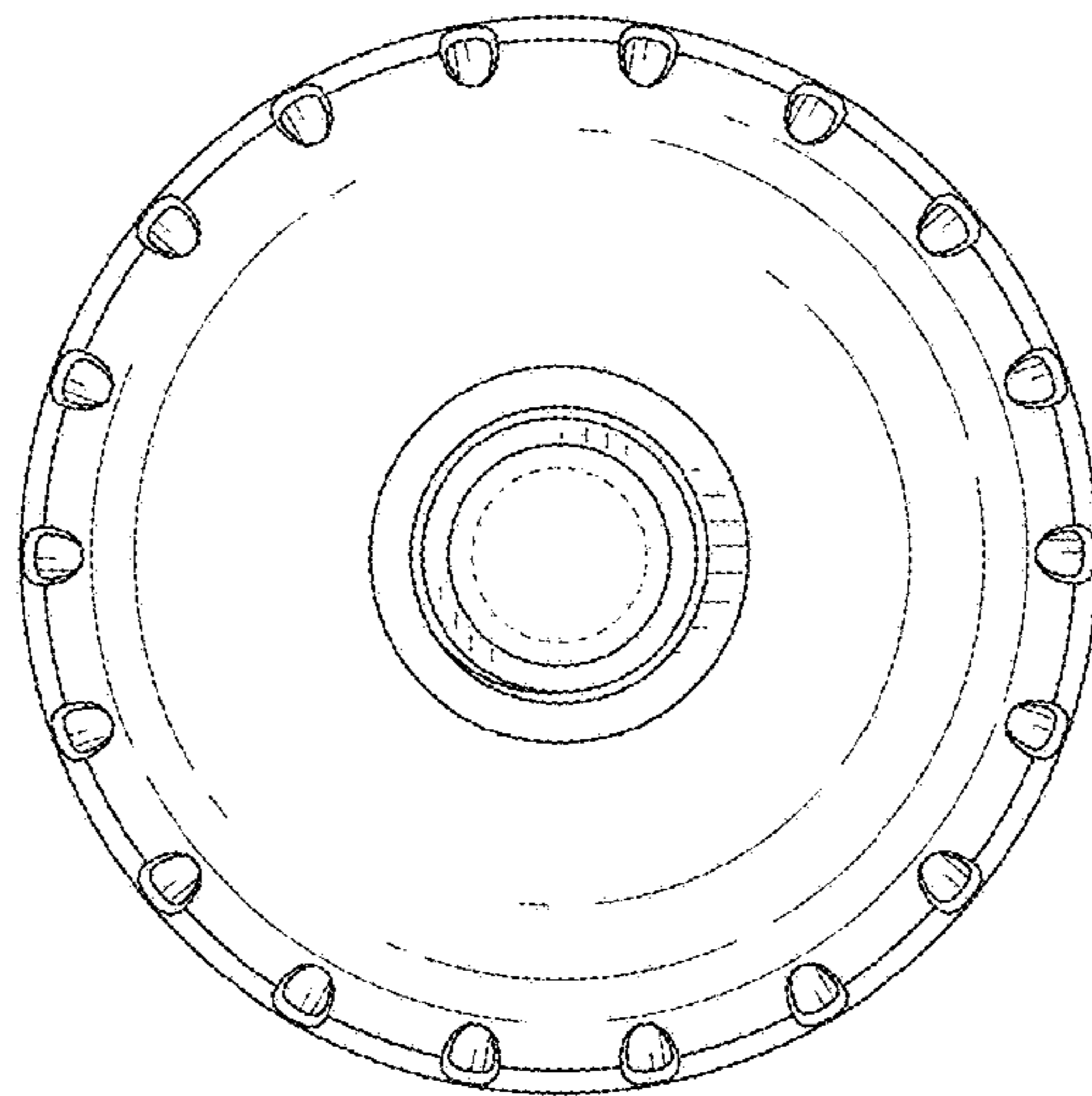


FIG. 5