



US00D852319S

(12) **United States Design Patent** (10) **Patent No.:** **US D852,319 S**
Hellman et al. (45) **Date of Patent:** **** Jun. 25, 2019**

(54) **OIL FILTER**

OTHER PUBLICATIONS

(71) Applicant: **Briggs & Stratton Corporation**,
Wauwatosa, WI (US)

International Search Report and Written Opinion, PCT/US2016/058909, Briggs & Stratton Corporation, 12 pages. (dated Jan. 31, 2017).

(72) Inventors: **Adam J. Hellman**, Bayside, WI (US);
John Schneiker, Muskego, WI (US)

Primary Examiner — Robin V Webster

(74) *Attorney, Agent, or Firm* — Foley & Lardner LLP

(73) Assignee: **Briggs & Stratton Corporation**,
Wauwatosa, WI (US)

(57) **CLAIM**

We claim the ornamental design for an oil filter, as shown and described.

(**) Term: **15 Years**

DESCRIPTION

(21) Appl. No.: **29/617,886**

(22) Filed: **Sep. 15, 2017**

Related U.S. Application Data

(63) Continuation of application No. 15/295,294, filed on Oct. 17, 2016, now Pat. No. 9,903,241.

(51) **LOC (11) Cl.** **23-01**

(52) **U.S. Cl.**
USPC **D23/209**

(58) **Field of Classification Search**
USPC D23/207, 209; 210/435

(Continued)

(56) **References Cited**

U.S. PATENT DOCUMENTS

2,106,218 A * 1/1938 Kriech B01D 29/072
210/130

2,322,463 A 6/1943 McDonald
(Continued)

FOREIGN PATENT DOCUMENTS

DE 10 2006 017 924 A1 10/2007
EP 0 638 708 A1 2/1995

(Continued)

FIG. 1 is a top view of an oil filter according to the claimed design;

FIG. 2 is a section view of the claimed design of FIG. 1 along line 2-2 of FIG. 1;

FIG. 3 is a top front perspective view from above of the claimed design of FIG. 1;

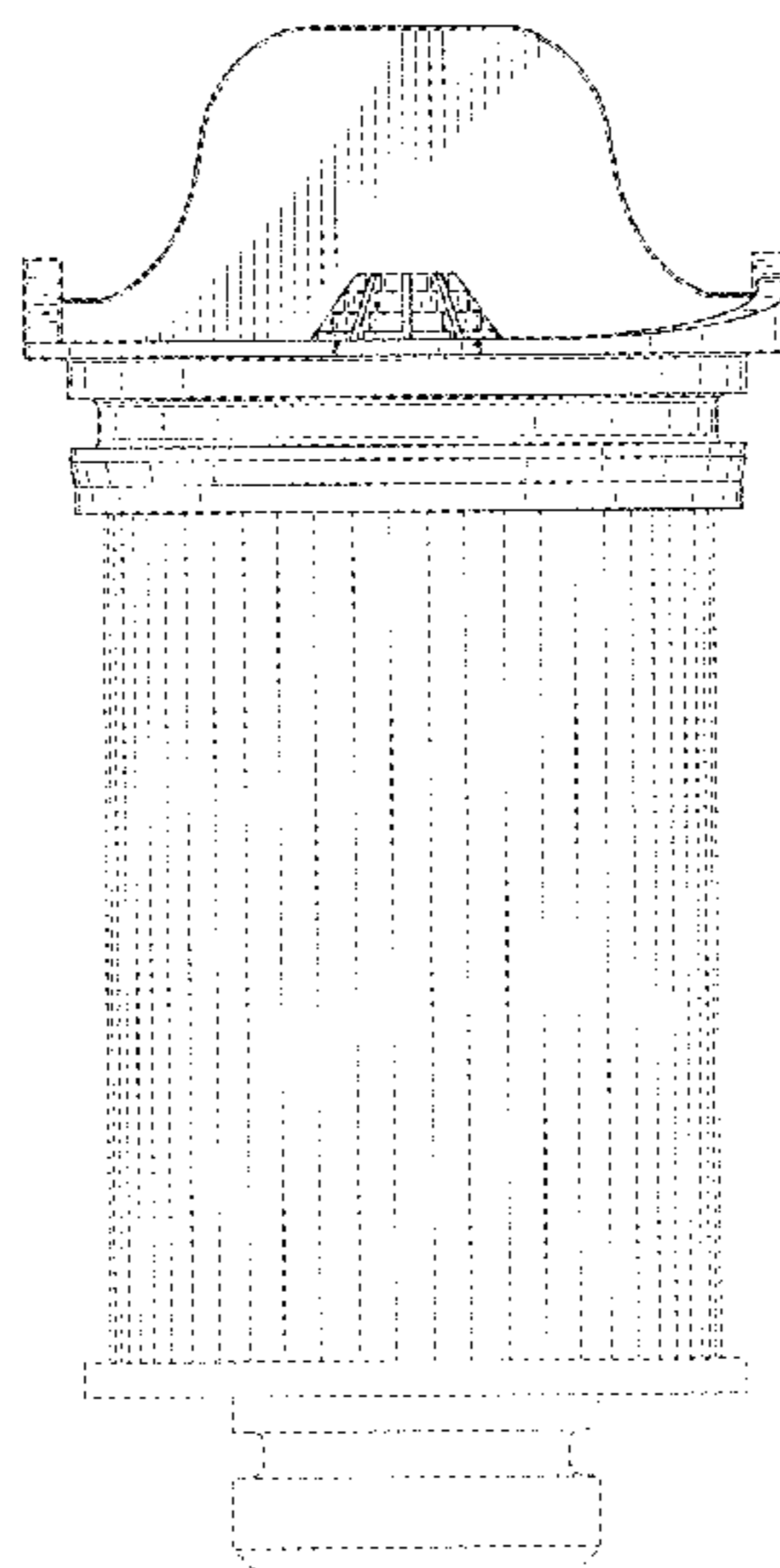
FIG. 4 is a top rear perspective view from above of the claimed design of FIG. 1; and,

FIG. 5 is a left side view of the claimed design of FIG. 1, with the right side view of the claimed design being a mirror image of FIG. 5.

Any portion of the article depicted in broken lines forms no part of the claimed design.

While Applicant believes that no further description is needed regarding the oil filter, Applicant is providing the following description regarding the nature and intended use thereof to aid the Examiner's classification of the present application in accordance with MPEP \approx 1503.01. It should be understood that the following description of the nature and intended use does not limit the scope of the ornamental designs presented in the present application in any manner. One exemplary use of an oil filter embodying one or more of the ornamental designs shown or described herein is as an oil filter for use in a small internal combustion engine.

1 Claim, 3 Drawing Sheets



(58) **Field of Classification Search**
 CPC B01D 27/08; B01D 27/00; B01D 35/30;
 B01D 35/00; B01D 35/153; B01D
 29/016; B01D 29/031; B01D 29/038;
 B01D 2201/12; C02F 1/003; C02F
 2307/04; F01M 1/10
 See application file for complete search history.

(56) **References Cited**

U.S. PATENT DOCUMENTS

2,621,796 A * 12/1952 Wilkinson B01D 27/08
 210/249
 3,950,251 A * 4/1976 Hiller B01D 27/02
 210/232
 4,151,823 A 5/1979 Grosse et al.
 4,353,163 A 10/1982 Overbury et al.
 4,560,477 A 12/1985 Moldow
 4,681,189 A 7/1987 Krisiloff
 4,724,806 A 2/1988 Hartwig
 RE32,620 E 3/1988 Iwai
 4,750,456 A 6/1988 Ladrach
 4,903,654 A 2/1990 Sato et al.
 D317,040 S * 5/1991 Petrucci B01D 27/08
 D23/209
 5,031,591 A 7/1991 Shinoda et al.
 5,035,797 A 7/1991 Janik
 5,112,476 A * 5/1992 Cote B01D 35/306
 210/132
 5,568,842 A 10/1996 Otani
 5,634,832 A 6/1997 Nakase et al.
 5,755,194 A 5/1998 Moorman et al.
 D403,740 S 1/1999 Kott et al.
 5,979,392 A 11/1999 Moorman et al.
 6,032,635 A 3/2000 Moorman et al.
 6,048,455 A * 4/2000 Janik B01D 27/06
 210/232
 6,167,990 B1 1/2001 Peng
 6,230,680 B1 5/2001 Pirone
 6,305,342 B1 10/2001 Narita et al.

D455,194 S * 4/2002 Kurth C02F 1/003
 D23/209
 6,459,995 B1 10/2002 Collister
 D466,969 S 12/2002 Druga
 6,524,149 B1 2/2003 Yamaha et al.
 6,679,692 B1 1/2004 Fueling
 6,874,593 B2 4/2005 Abend et al.
 7,017,546 B1 3/2006 Patel et al.
 7,162,991 B2 1/2007 White et al.
 7,174,876 B2 2/2007 Suzuki et al.
 7,188,601 B1 3/2007 Trease
 7,219,645 B2 5/2007 Lamb
 7,290,995 B2 11/2007 Ohnishi et al.
 7,648,565 B2 1/2010 Jiang
 7,967,981 B2 * 6/2011 Talamali B01D 35/30
 210/232
 D646,750 S 10/2011 Salvador et al.
 8,028,672 B2 10/2011 Prior et al.
 D648,565 S 11/2011 Frinier
 D648,822 S 11/2011 Salvador et al.
 D717,912 S 11/2014 Huda et al.
 8,910,610 B2 12/2014 Thayer
 9,333,448 B2 5/2016 Braunheim et al.
 9,469,551 B2 * 10/2016 Sherman C02F 1/003
 9,597,616 B2 * 3/2017 Blunt B01D 27/08
 2001/0015182 A1 8/2001 Moorman et al.
 2006/0096809 A1 5/2006 Evans
 2008/0115488 A1 5/2008 Iida et al.
 2008/0179139 A1 7/2008 Montgomery
 2009/0173580 A1 7/2009 Papas
 2013/0048088 A1 2/2013 Miller

FOREIGN PATENT DOCUMENTS

EP 0 752 518 A1 1/1997
 EP 1 199 447 A1 4/2002
 EP 1 201 883 A2 5/2002
 JP 62-165016 A 7/1987
 JP 2008-115727 A 5/2008
 WO WO-95/20099 7/1995

* cited by examiner

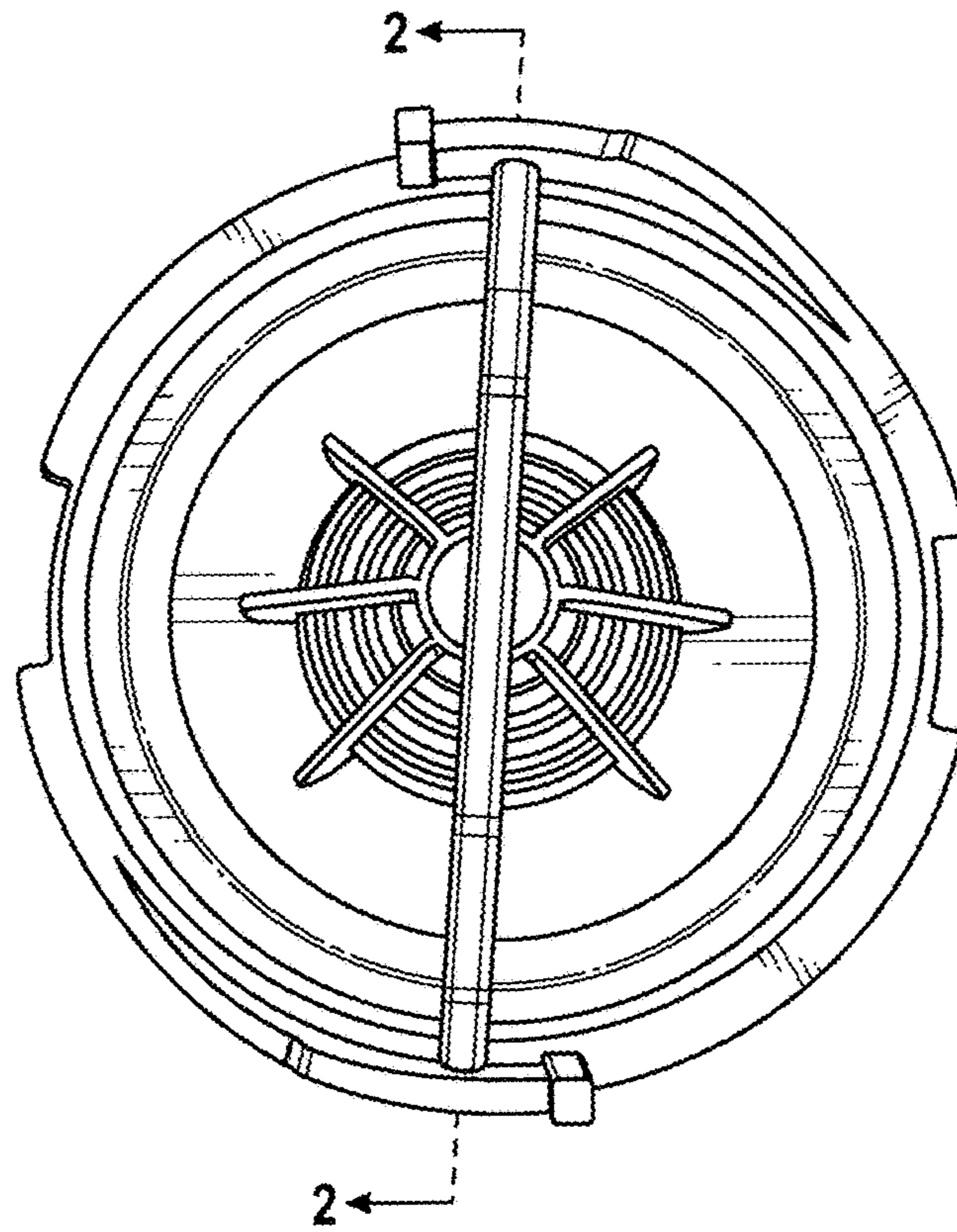


FIG. 1

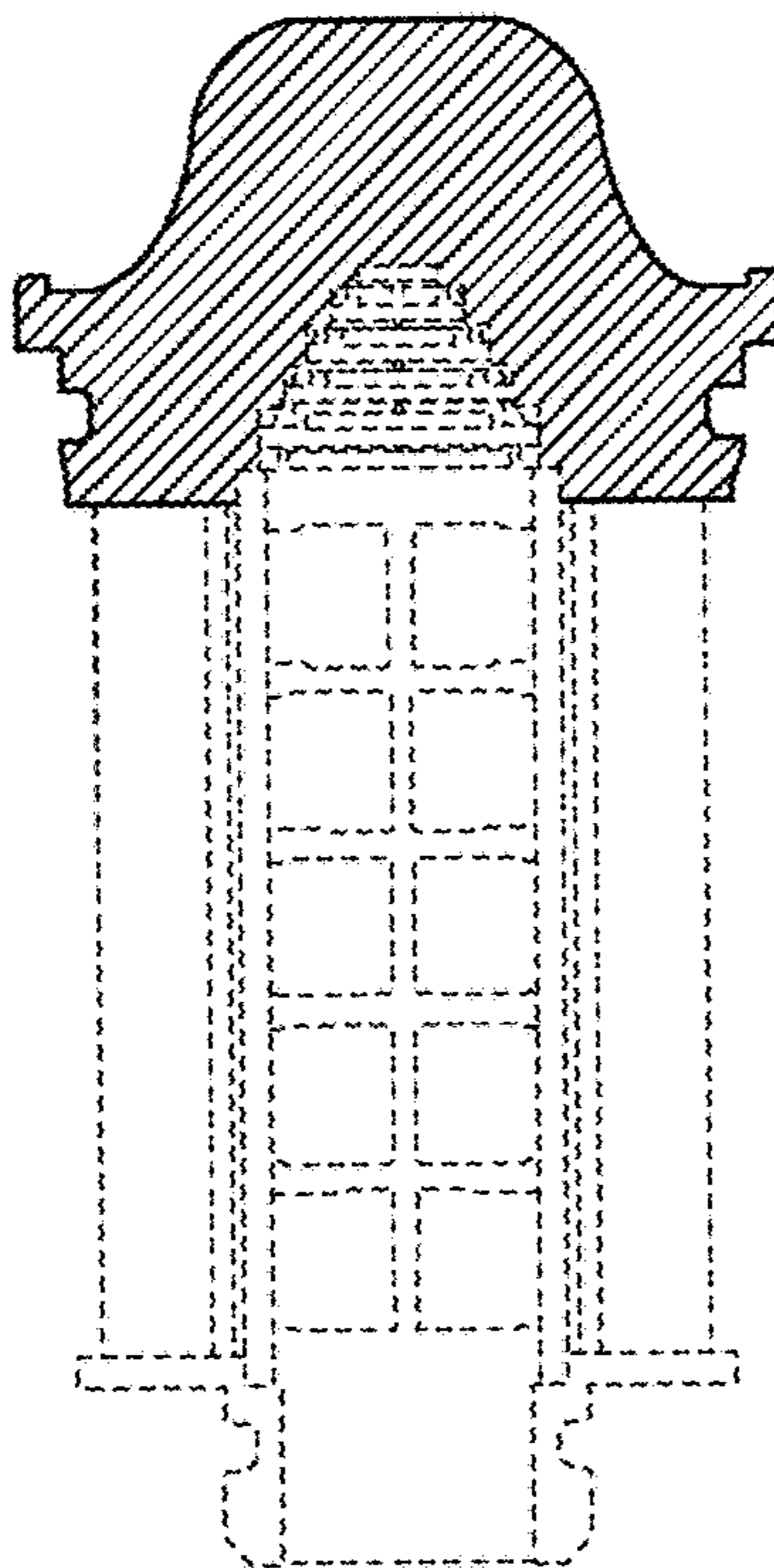


FIG. 2

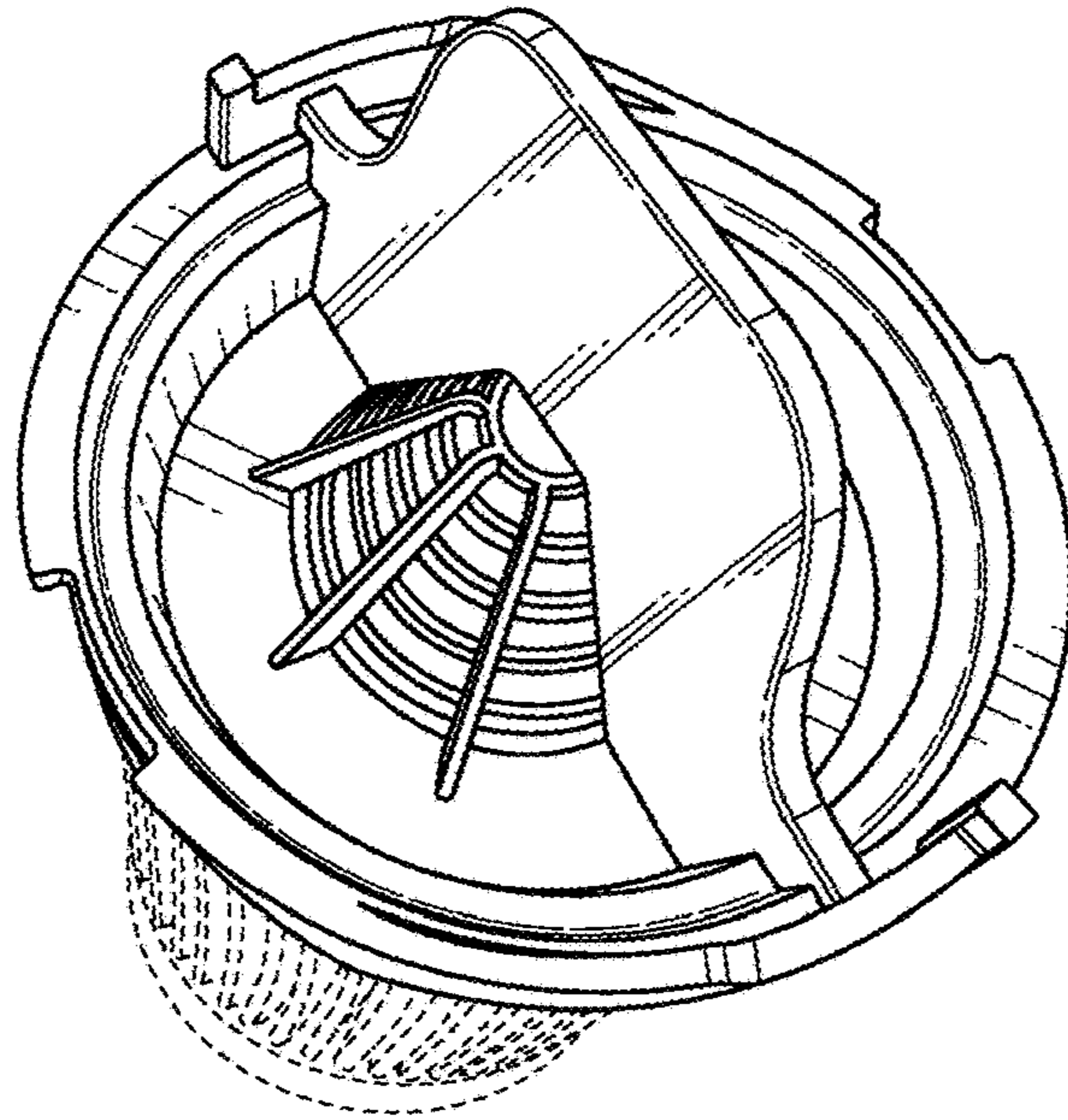


FIG. 3

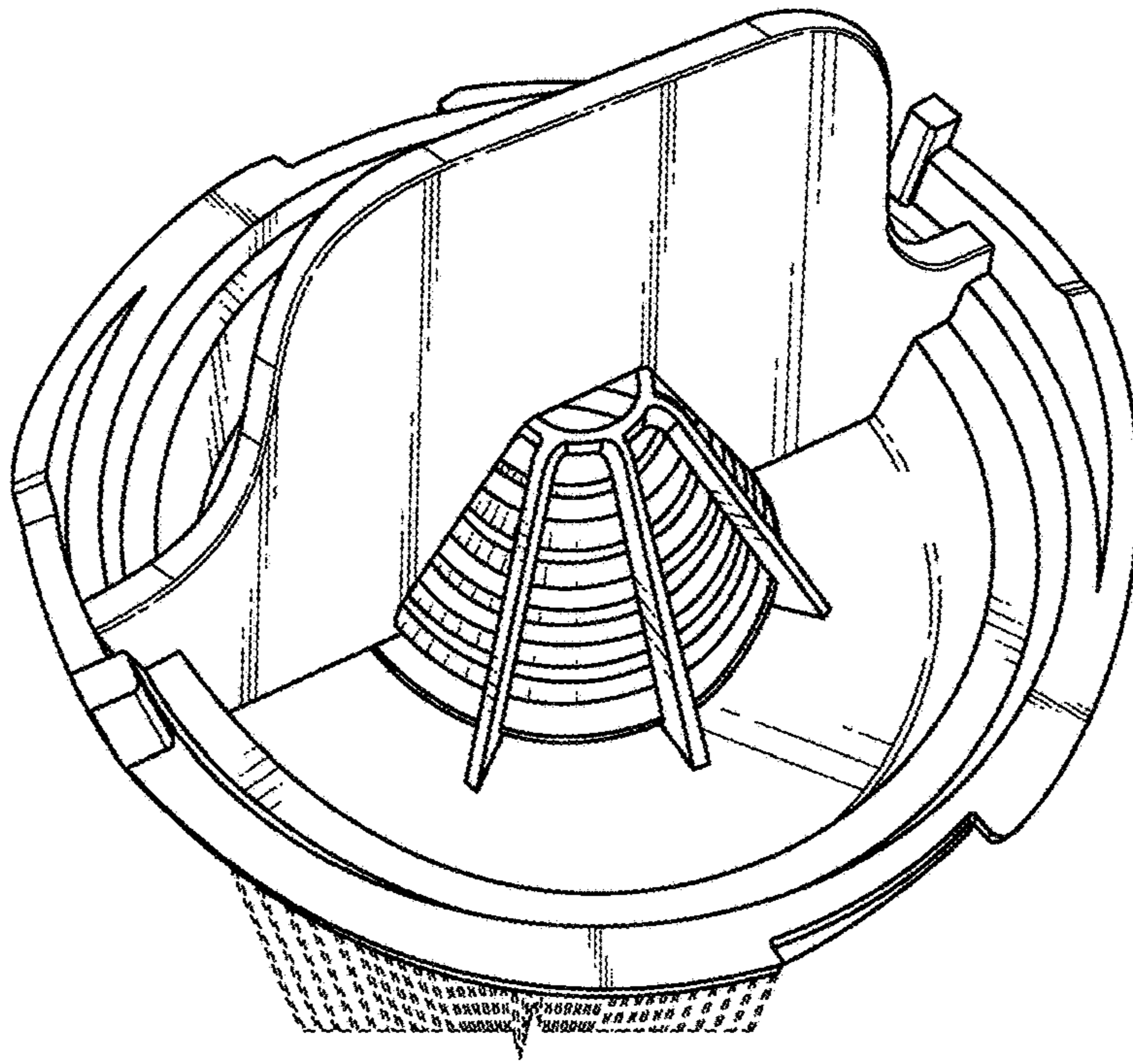


FIG. 4

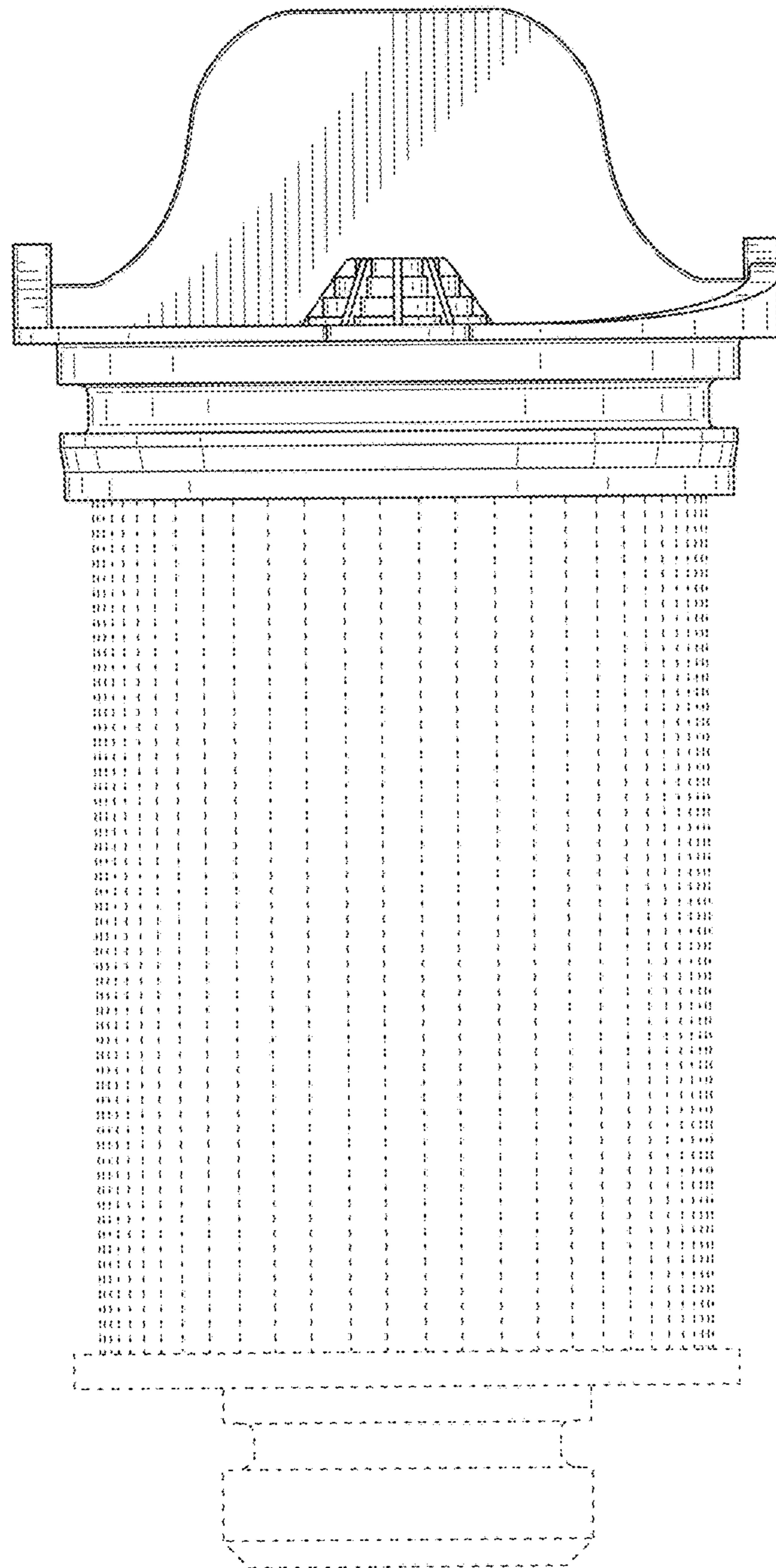


FIG. 5