



US00D852316S

(12) **United States Design Patent** (10) **Patent No.:** **US D852,316 S**
Meredith et al. (45) **Date of Patent:** **** Jun. 25, 2019**

(54) **FISHING ROD HOLDER**

OTHER PUBLICATIONS

- (71) Applicant: **Confluence Outdoor, LLC**, Greenville, SC (US)
- (72) Inventors: **Don Meredith**, Greenville, SC (US);
Chris Pageau, Greenville, SC (US)
- (73) Assignee: **Confluence Outdoor, LLC**, Greenville, SC (US)

Taco Poly Stand-Off Rod Holder—No Hardware—White [PO4-091W] (Year: 2019).*

Hobie Rod Holder, <http://www.paddlerscove.com/hobie-rod-holder-extension/>, known at least as early as Aug. 8, 2017, 6 pgs.

Yak-Gear Flush Mount Rod Holder Extender, <https://www.austinkayak.com/products/10553/Yak-Gear-Flush-Mount-Rod-Holder-Extension>, known at least as early as Aug. 22, 2017, 3 pgs.

* cited by examiner

(**) Term: **15 Years**

Primary Examiner — Catherine R Oliver-Garcia

(21) Appl. No.: **29/615,098**

(74) *Attorney, Agent, or Firm* — Kim and Lahwy Lar Firm LLC; Douglas W. Kim

(22) Filed: **Aug. 25, 2017**

(51) **LOC (11) Cl.** **D22-05**

(52) **U.S. Cl.**

USPC **D22/147**

(58) **Field of Classification Search**

USPC D22/147; 43/21.2; 211/70.7, 70.8;
248/529–530, 532–533; D6/552–553

CPC A01K 97/10

See application file for complete search history.

(57) **CLAIM**

We claim the ornamental design for a fishing rod holder, as shown and described.

DESCRIPTION

(56) **References Cited**

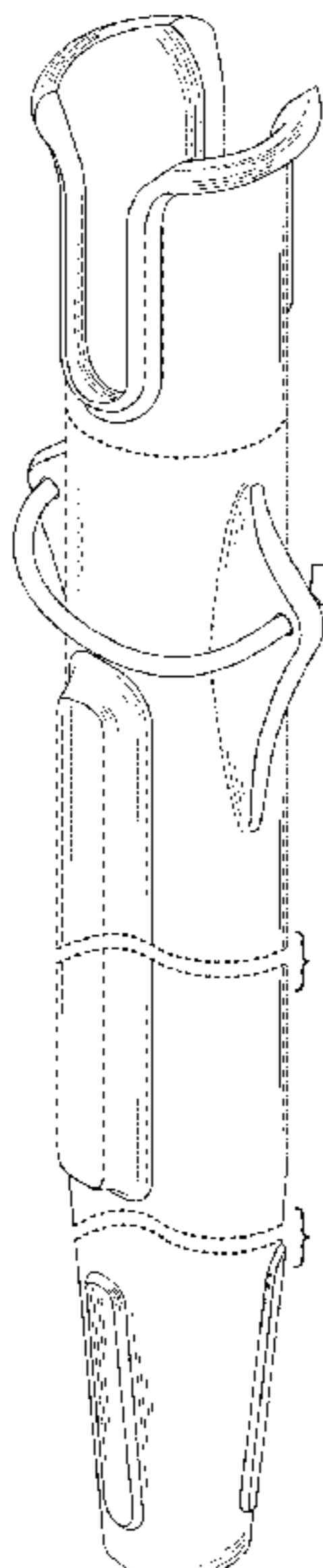
U.S. PATENT DOCUMENTS

D334,226 S *	3/1993	Engle	D22/147
5,625,974 A *	5/1997	Demaio	A01K 97/10
				248/538
D461,521 S *	8/2002	Krueger	D22/147
6,530,170 B1 *	3/2003	Sweeney	A01K 97/10
				211/70.8
D516,164 S *	2/2006	Roth	D22/147
D523,109 S *	6/2006	Palmer, Jr.	A01K 97/10
				D22/147
7,216,453 B1 *	5/2007	Higgins	A01K 97/10
				43/21.2
D618,759 S *	6/2010	Rouwhorst	D22/147
D727,457 S *	4/2015	Seiders	D22/147
D731,614 S *	6/2015	Seiders	D22/147

FIG. 1 is a front perspective view of our new design;
 FIG. 2 is a front view thereof;
 FIG. 3 is a rear view thereof;
 FIG. 4 is a left side view thereof;
 FIG. 5 is a right side view thereof;
 FIG. 6 is a top view thereof; and,
 FIG. 7 is a bottom view thereof.

The views of the fishing rod holder not shown form no part of the design of this claim. The dash-dash lines in the figures show optional features that form no part of the design of this claim. The wavy dash-dash lines and brackets combine to reflect that the wavy dash-dash lines and the area in between the bracketed pairs of dash-dash lines forms no part of the design of this claim.

1 Claim, 6 Drawing Sheets



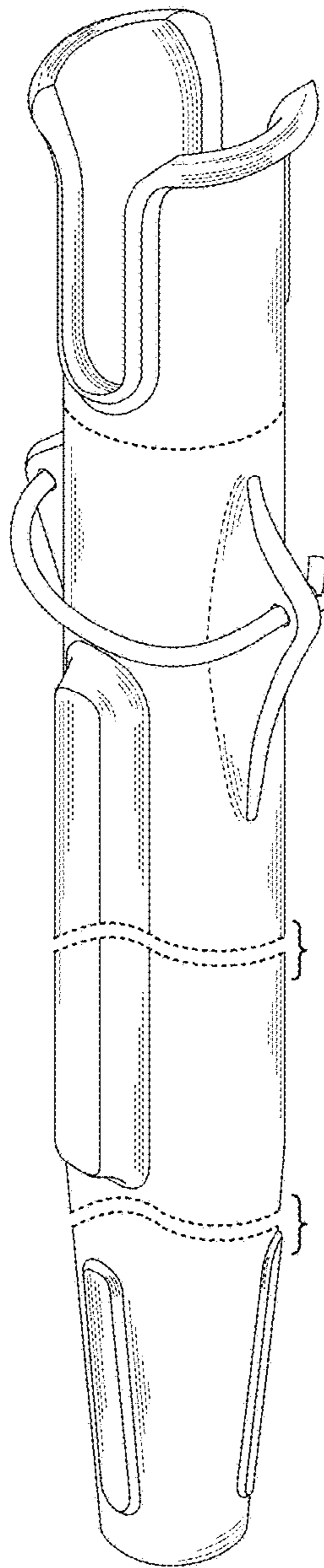


FIG. 1

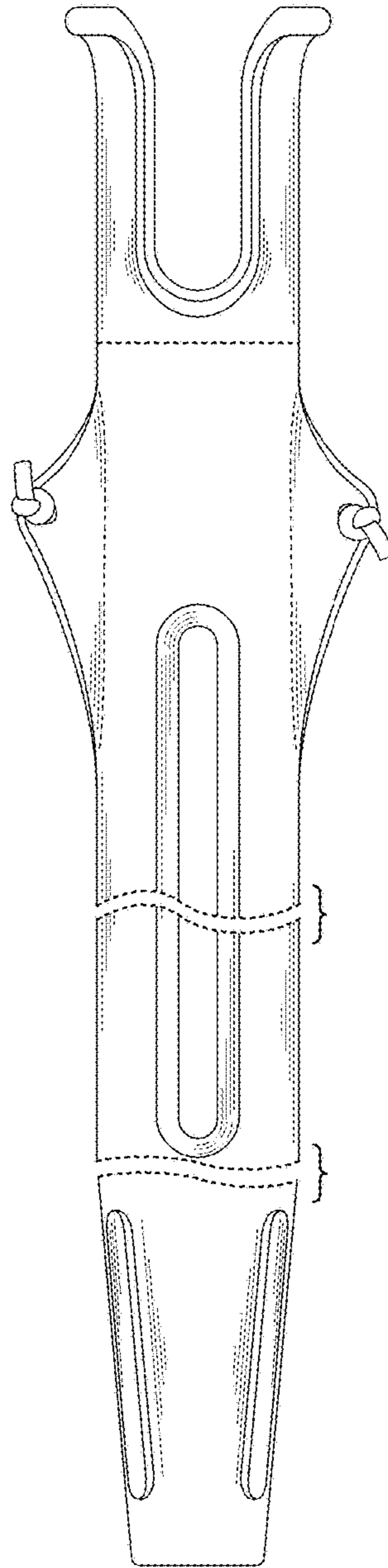


FIG. 2

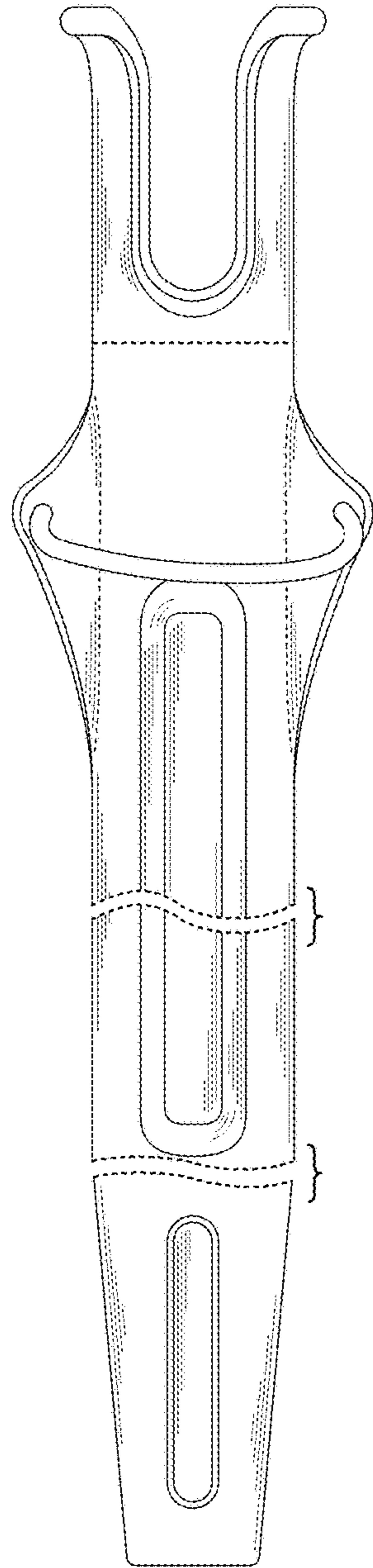


FIG. 3

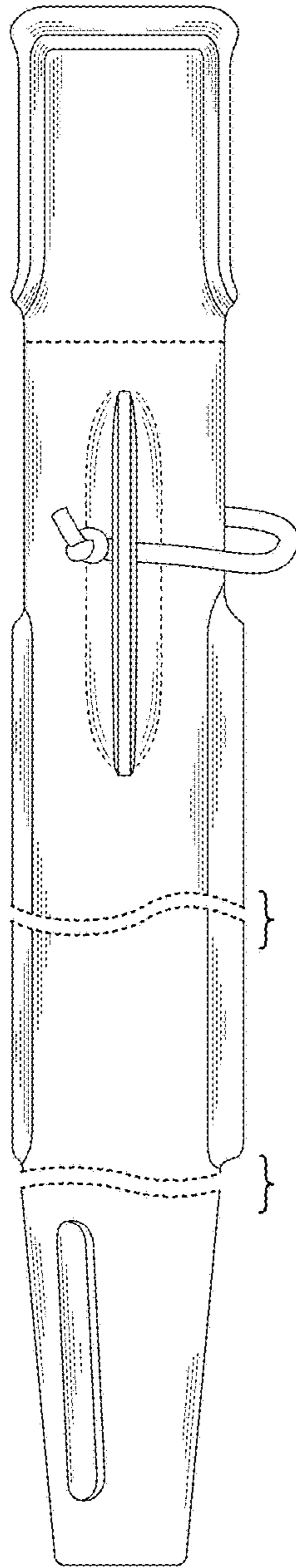


FIG. 4

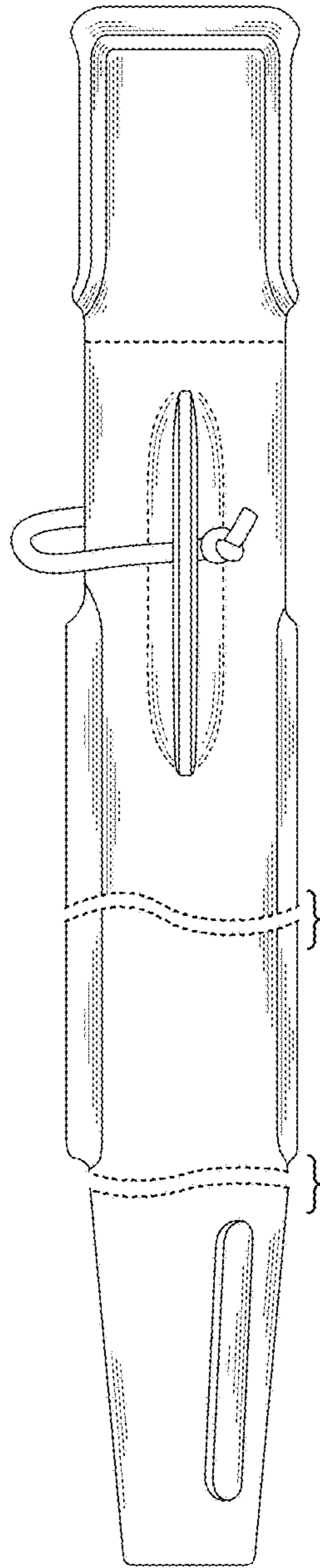


FIG. 5

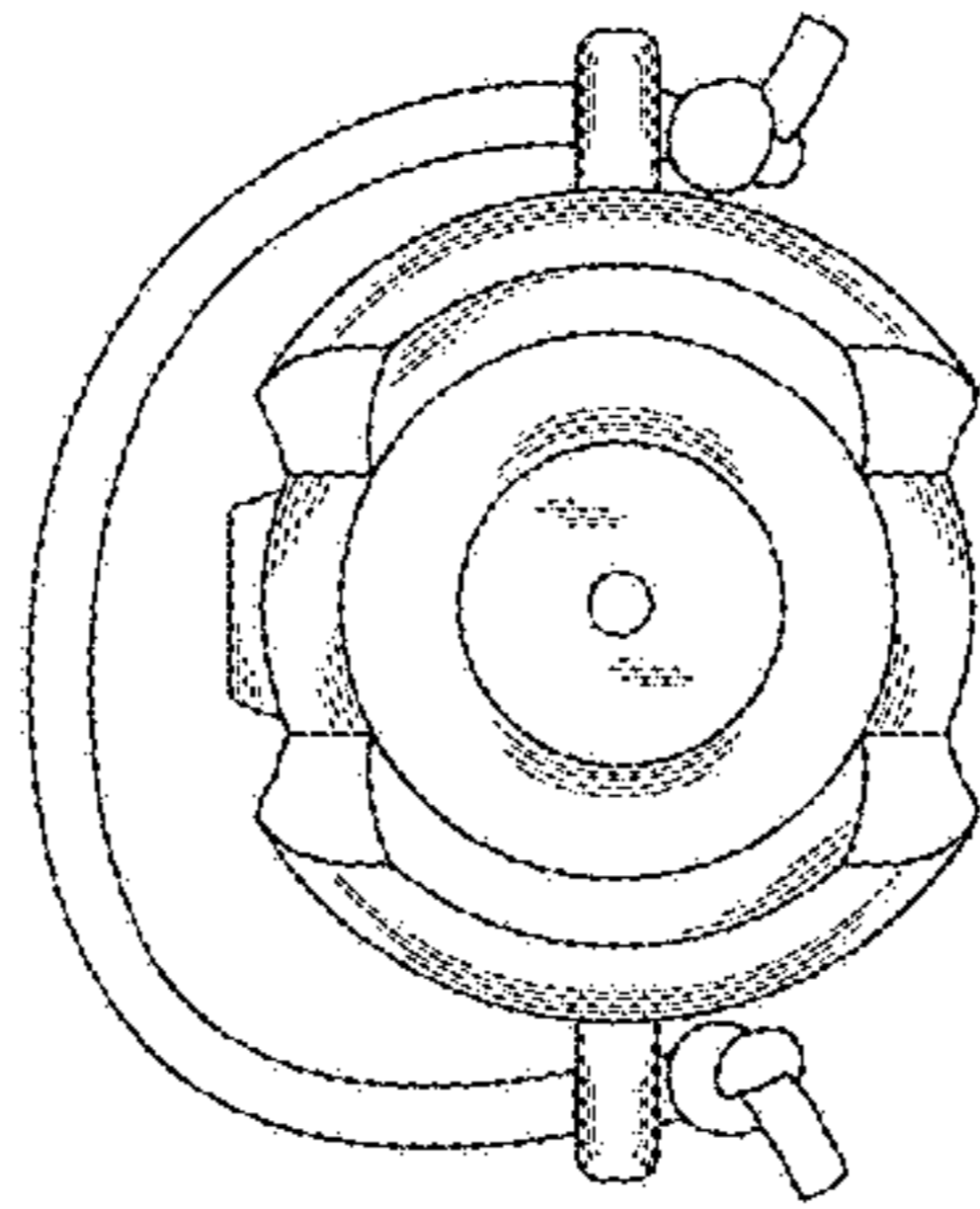


FIG. 6

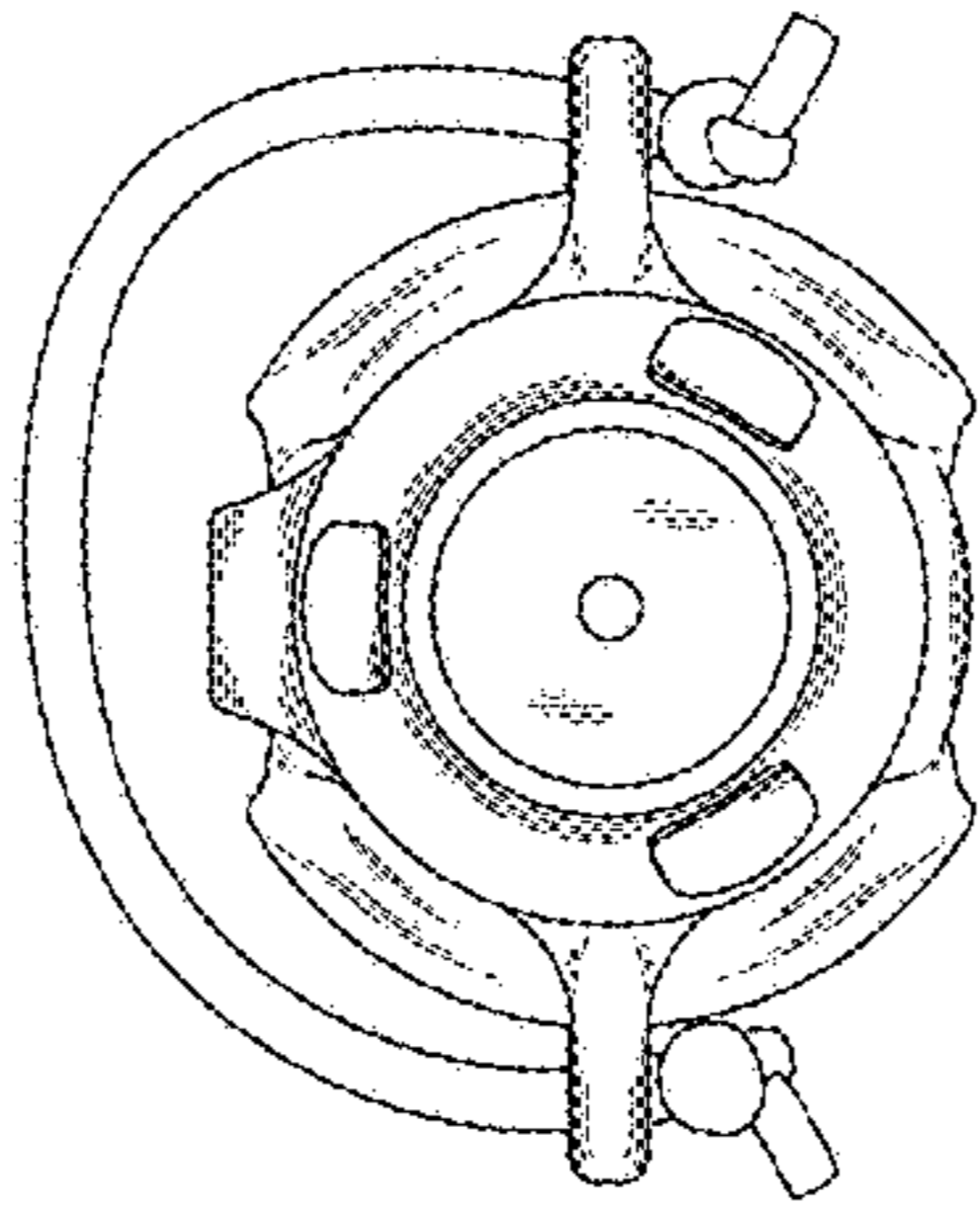


FIG. 7