



US00D852313S

(12) **United States Design Patent**
Luo

(10) **Patent No.:** **US D852,313 S**
(45) **Date of Patent:** **** Jun. 25, 2019**

(54) **MOUSE EXPELLER**

(71) Applicant: **Chengyang Luo**, Shenzhen (CN)

(72) Inventor: **Chengyang Luo**, Shenzhen (CN)

(**) Term: **15 Years**

(21) Appl. No.: **29/644,768**

(22) Filed: **Apr. 20, 2018**

(51) **LOC (11) Cl.** **22-06**

(52) **U.S. Cl.**
USPC **D22/120**

(58) **Field of Classification Search**
USPC D22/119–124; 43/1, 121, 124, 131,
43/132.1; 367/139; 119/719; 116/22 A
CPC A01M 1/08; A01M 1/106; A01M 1/026;
A01M 1/2011; A01M 29/00; A01M
29/12; A01M 29/16; A01M 29/34; A01M
29/28; A01M 31/008; A01M 2200/011;
A01M 2200/012; A01N 25/20; A01N
37/44; A01N 43/16; A01N 49/00
See application file for complete search history.

(56) **References Cited**

U.S. PATENT DOCUMENTS

D583,900 S * 12/2008 Krause D22/120
7,598,879 B2 * 10/2009 Weiser A01M 29/16
43/124

D645,114 S * 9/2011 Krause D22/120
D823,425 S * 7/2018 Wang D22/120
D839,987 S * 2/2019 Dai D22/120
2011/0002196 A1 * 1/2011 Weiser A01M 29/16
367/139

* cited by examiner

Primary Examiner — Catherine R Oliver-Garcia

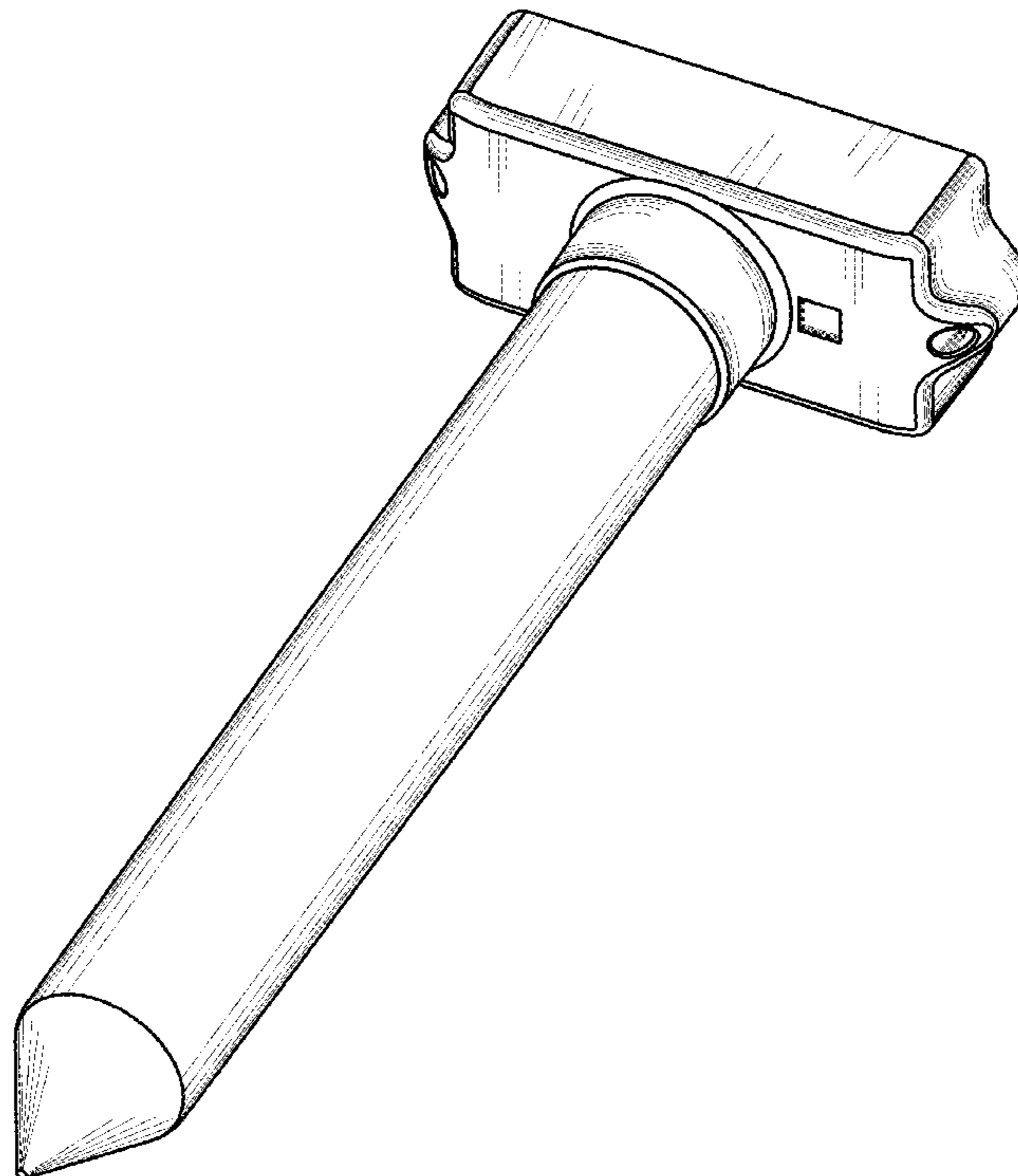
(57) **CLAIM**

The ornamental design for a mouse expeller, as shown and described.

DESCRIPTION

FIG. 1 is a front elevational view of a mouse expeller showing my new design;
FIG. 2 is a left side elevational view thereof;
FIG. 3 is a rear elevational view thereof;
FIG. 4 is a right side elevational view thereof;
FIG. 5 is a top plan view thereof;
FIG. 6 is a bottom plan view thereof; and,
FIG. 7 is a perspective view thereof.
The broken lines depict environment that forms no part of the claimed design.

1 Claim, 7 Drawing Sheets



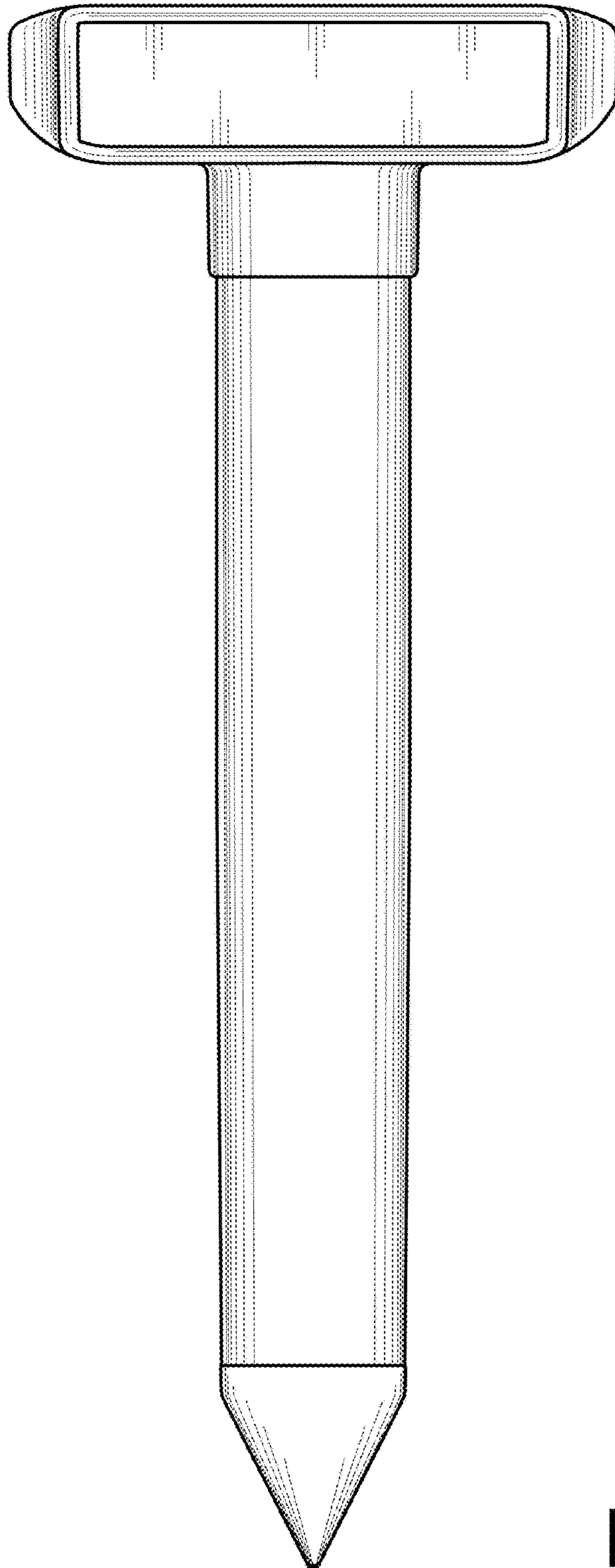


FIG. 1

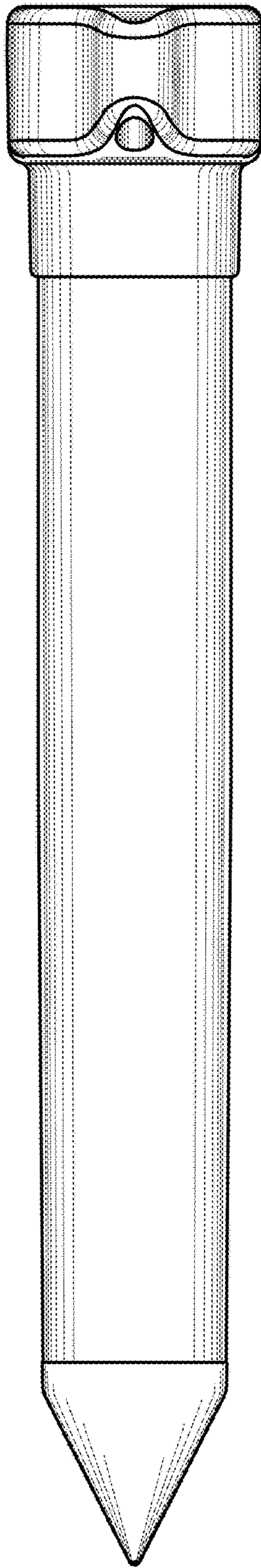


FIG.2

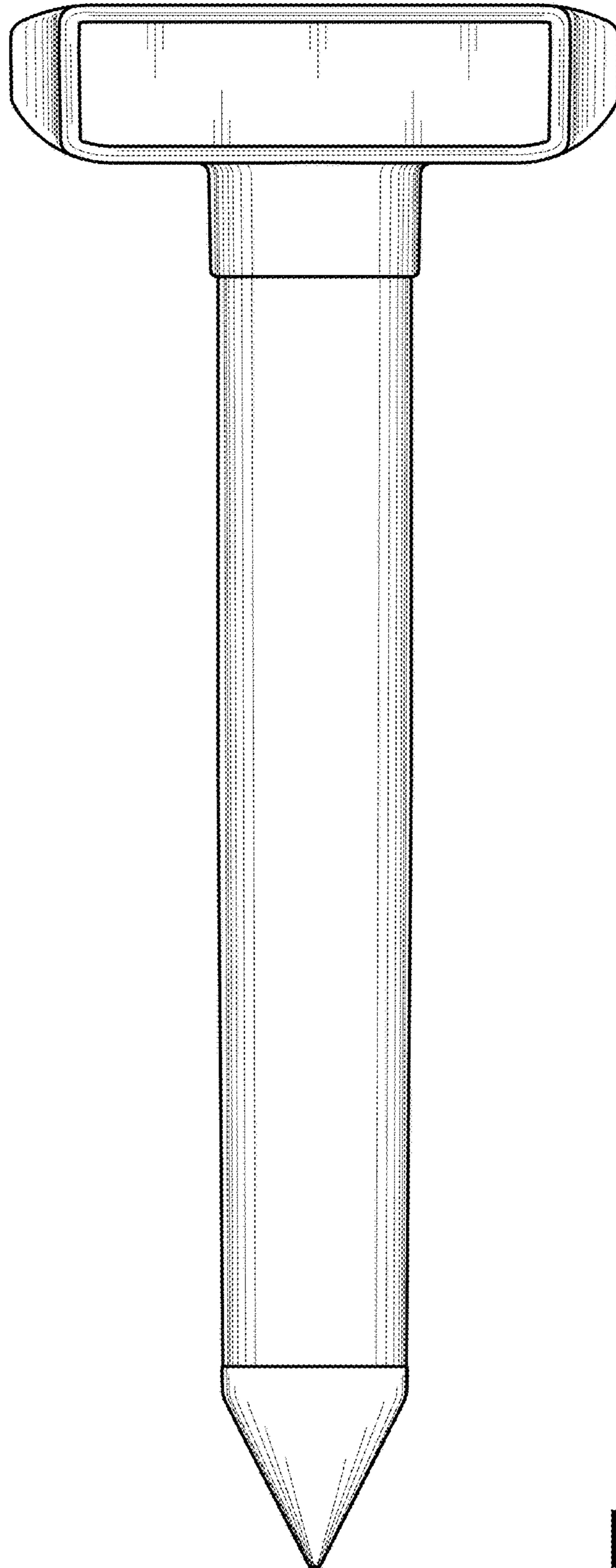


FIG.3

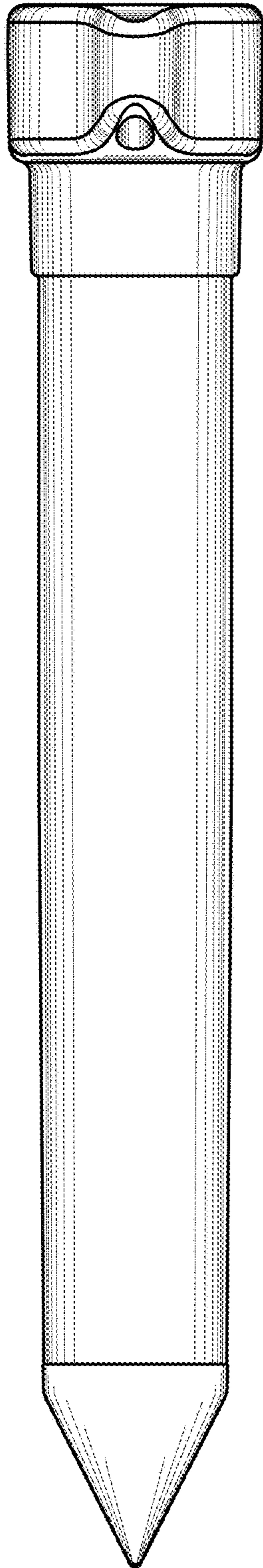


FIG.4

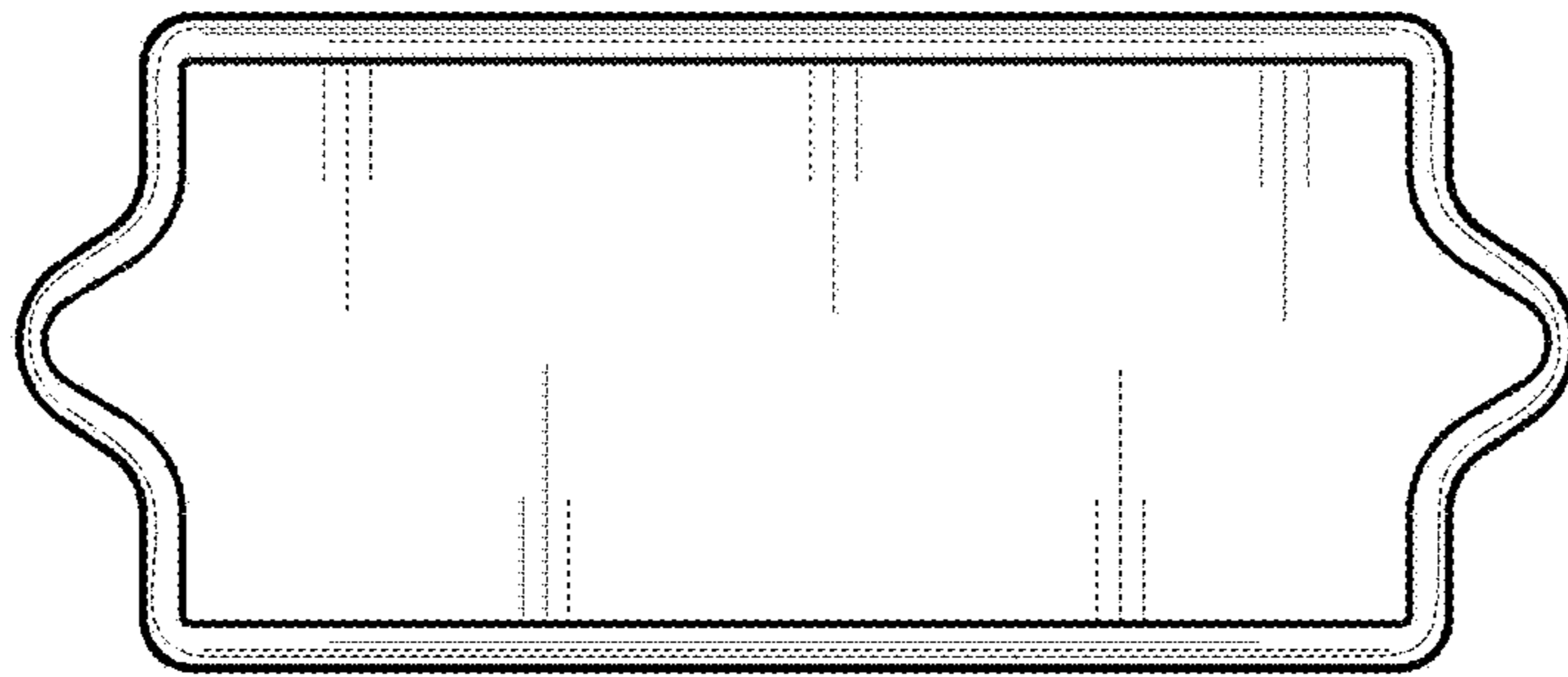


FIG.5

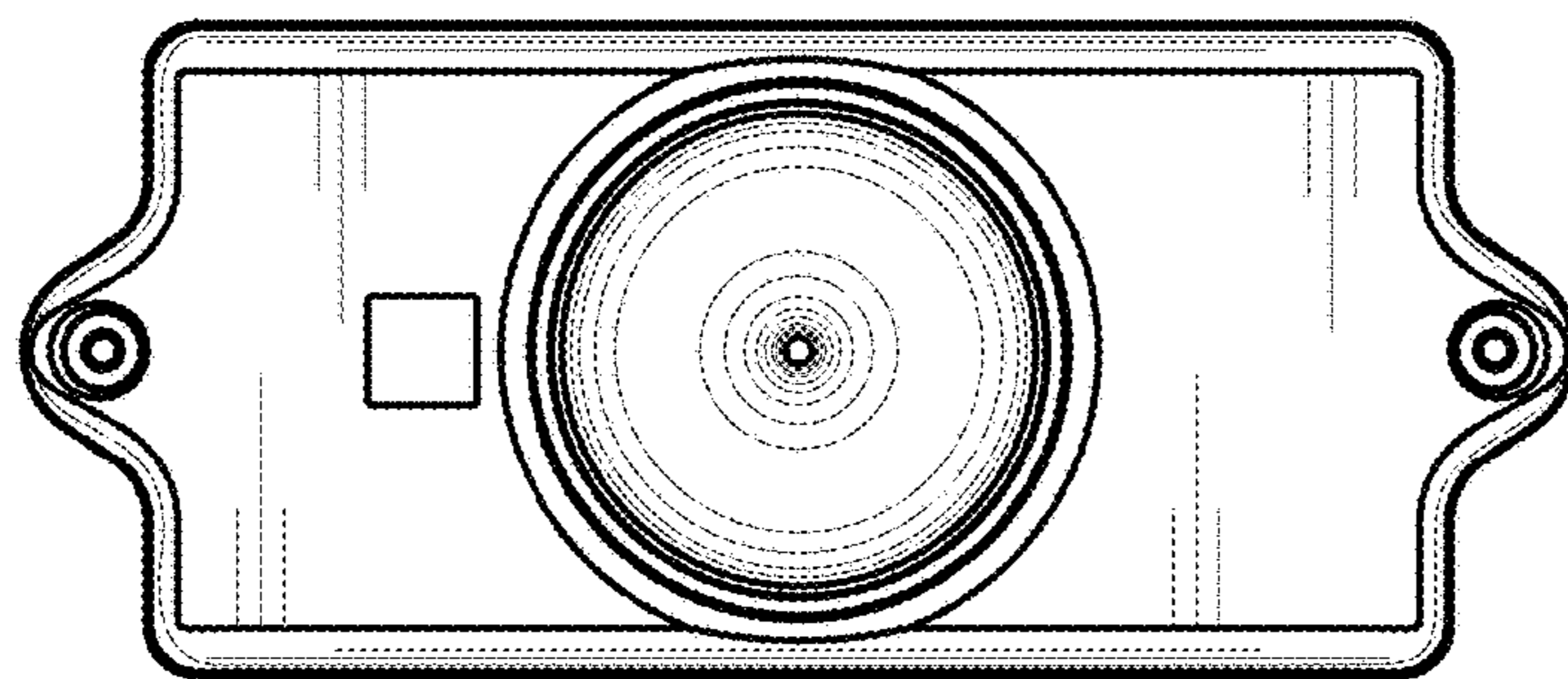


FIG.6

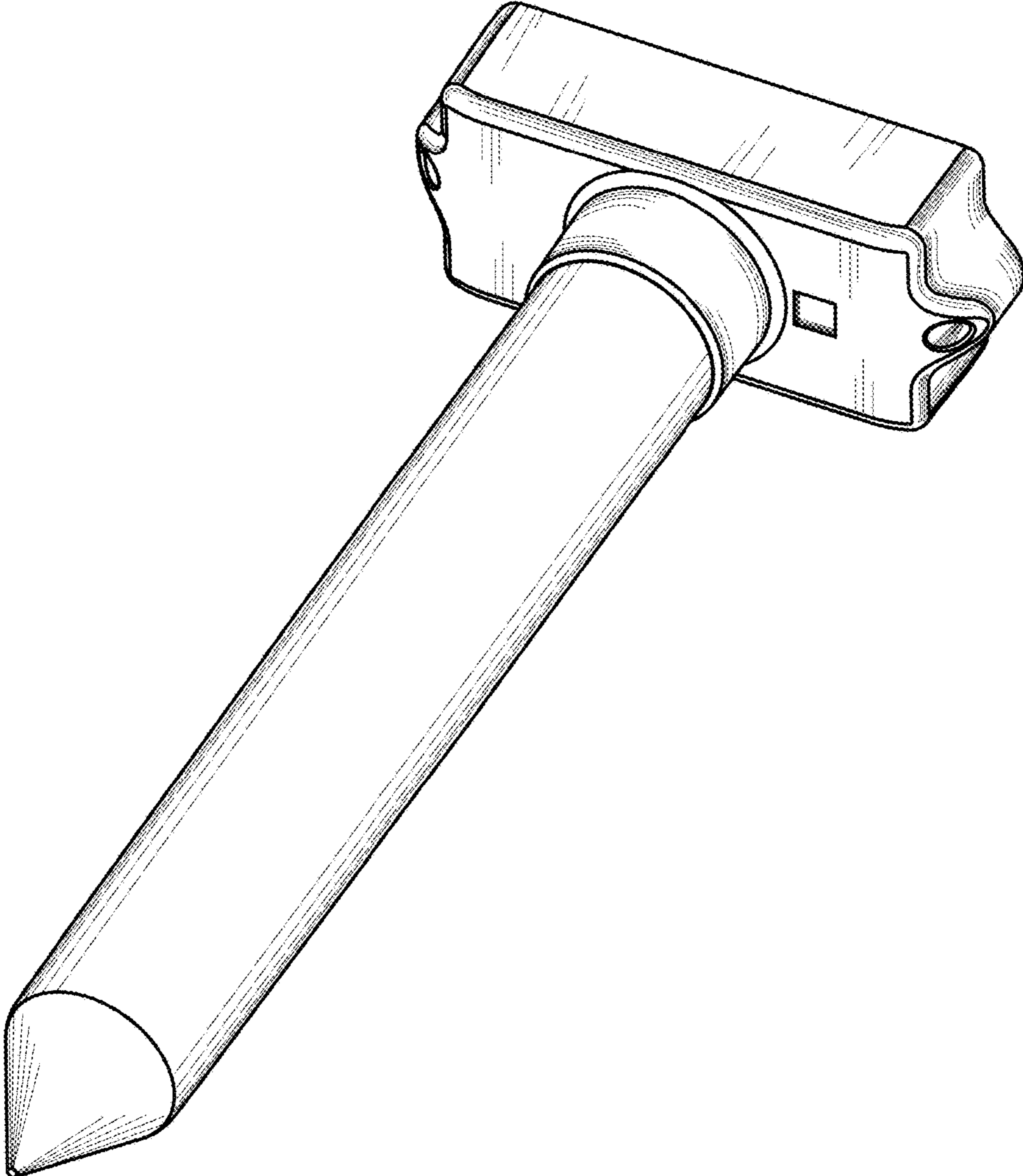


FIG.7