



US00D852312S

(12) **United States Design Patent**
Gu

(10) **Patent No.:** **US D852,312 S**
(45) **Date of Patent:** **** Jun. 25, 2019**

- (54) **PEST REPELLER DEVICE**
- (71) Applicant: **Liujun Gu**, Shenzhen (CN)
- (72) Inventor: **Liujun Gu**, Shenzhen (CN)
- (**) Term: **15 Years**
- (21) Appl. No.: **29/644,562**
- (22) Filed: **Apr. 18, 2018**
- (51) **LOC (11) Cl.** **22-06**
- (52) **U.S. Cl.**
USPC **D22/120**
- (58) **Field of Classification Search**
USPC D22/119-124; D23/366-369;
43/111-113, 124, 129, 131, 132.1, 144
CPC A01M 1/04; A01M 1/145; A01M 1/08;
A01M 1/106; A01M 1/026; A01M
1/2011; A01M 29/00; A01M 29/12;
A01M 29/16; A01M 29/34; A01M 29/28;
A01M 31/008; A01M 2200/011; A01M
2200/012; A01N 25/201; A01N 37/44;
A01N 43/16; A01N 49/00
See application file for complete search history.

D780,878 S *	3/2017	Zhang	D22/120
D829,848 S *	10/2018	Gu	D22/120
D831,781 S *	10/2018	Zhao	D22/120
D833,568 S *	11/2018	Long	D22/122
D836,748 S *	12/2018	Gu	D22/120
D842,962 S *	3/2019	Liu	D22/120

* cited by examiner

Primary Examiner — Catherine R Oliver-Garcia
(74) *Attorney, Agent, or Firm* — Novoclaims Patent Services LLC; Mei Lin Wong

(57) **CLAIM**

The ornamental design for a pest repeller device, as shown and described.

DESCRIPTION

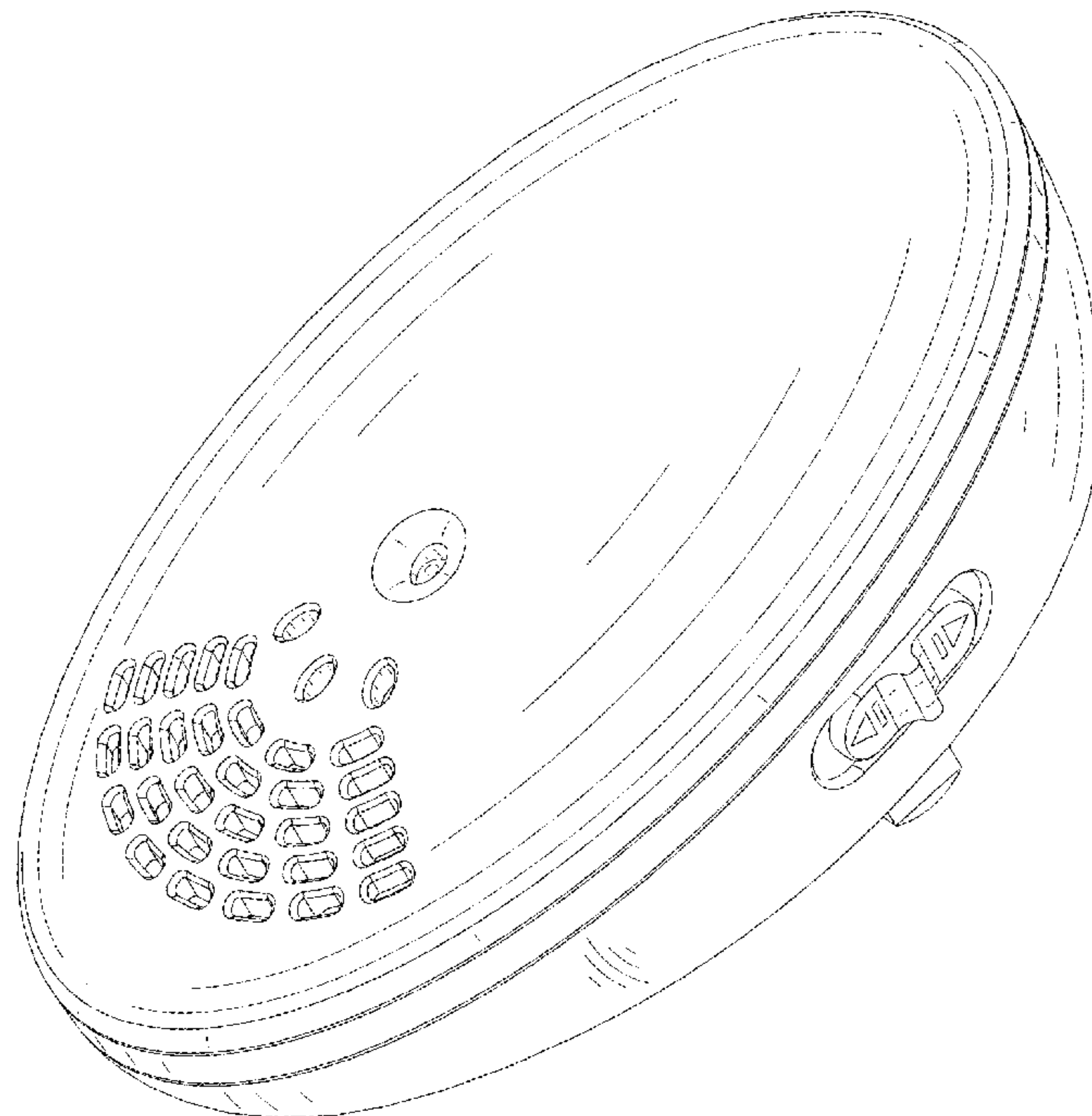
FIG. 1 is a perspective view of a pest repeller device, showing my new design.
FIG. 2 is a rear perspective view thereof;
FIG. 3 is a front view thereof;
FIG. 4 is a rear view thereof;
FIG. 5 is a left side view thereof;
FIG. 6 is a right side view thereof;
FIG. 7 is a top view thereof; and,
FIG. 8 is a bottom view thereof.

(56) **References Cited**

U.S. PATENT DOCUMENTS

D768,836 S *	10/2016	Van Der Starre	D23/367
D779,026 S *	2/2017	Hou	D22/120

1 Claim, 8 Drawing Sheets



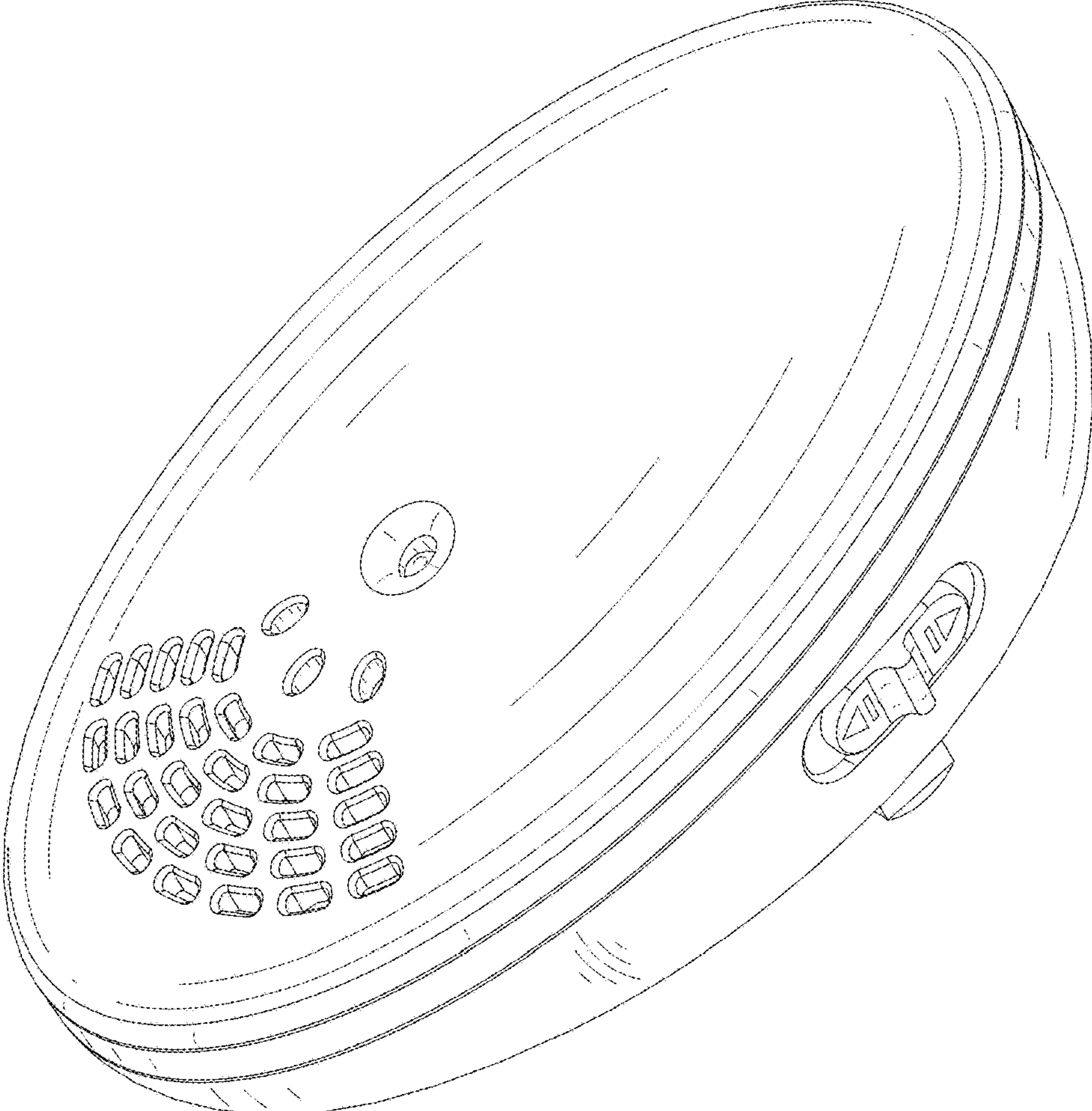


FIG.1

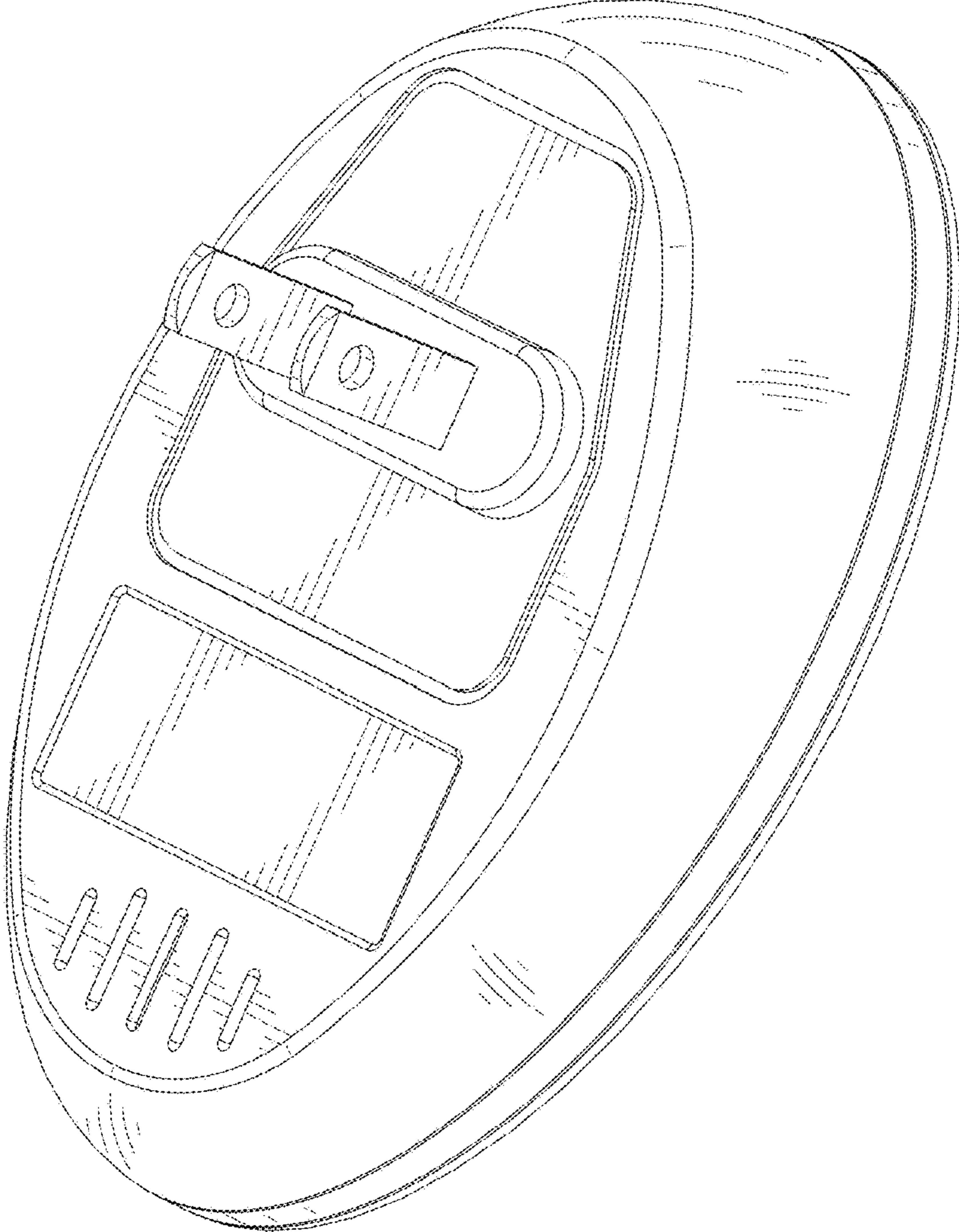


FIG.2

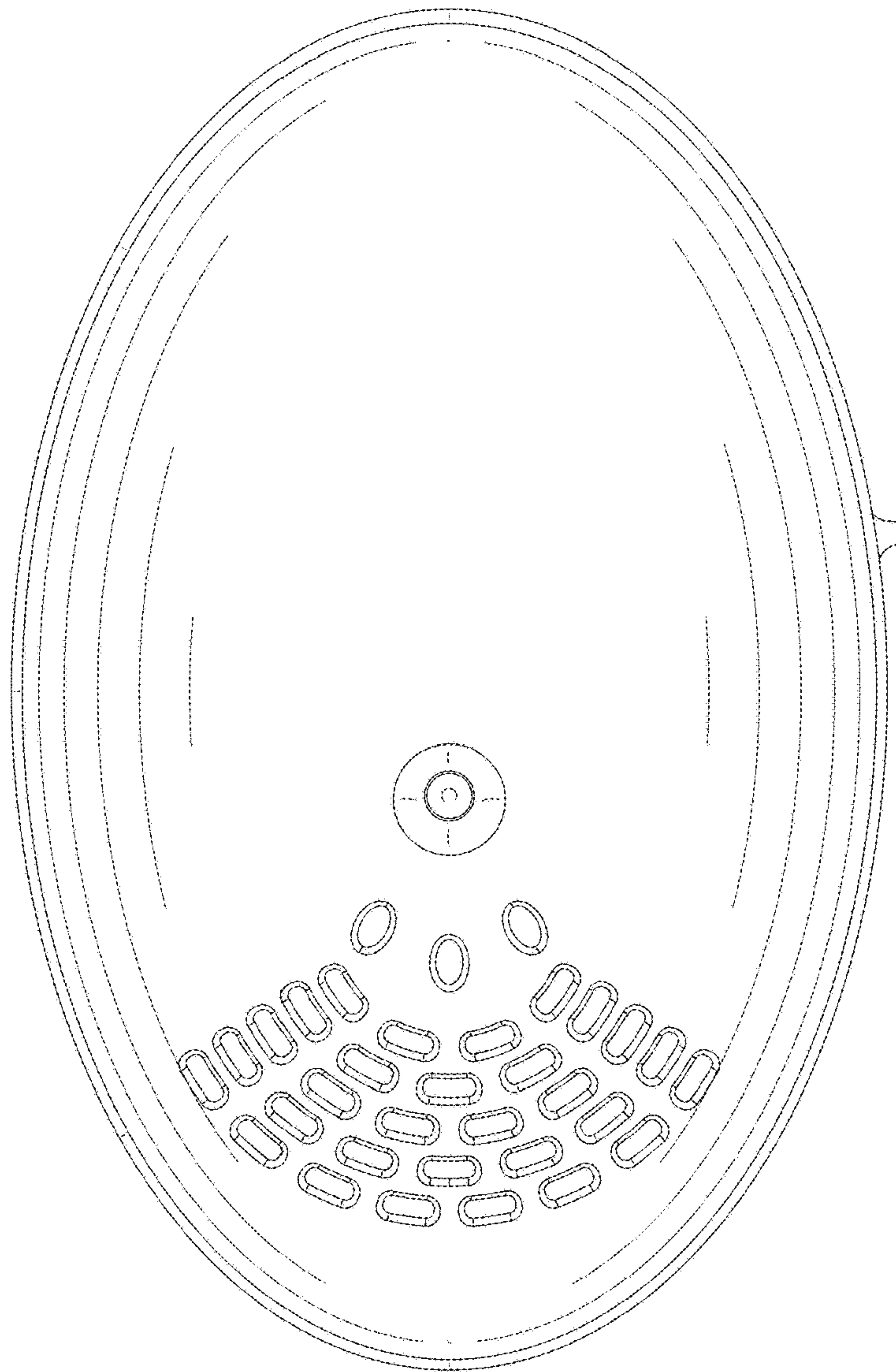


FIG.3

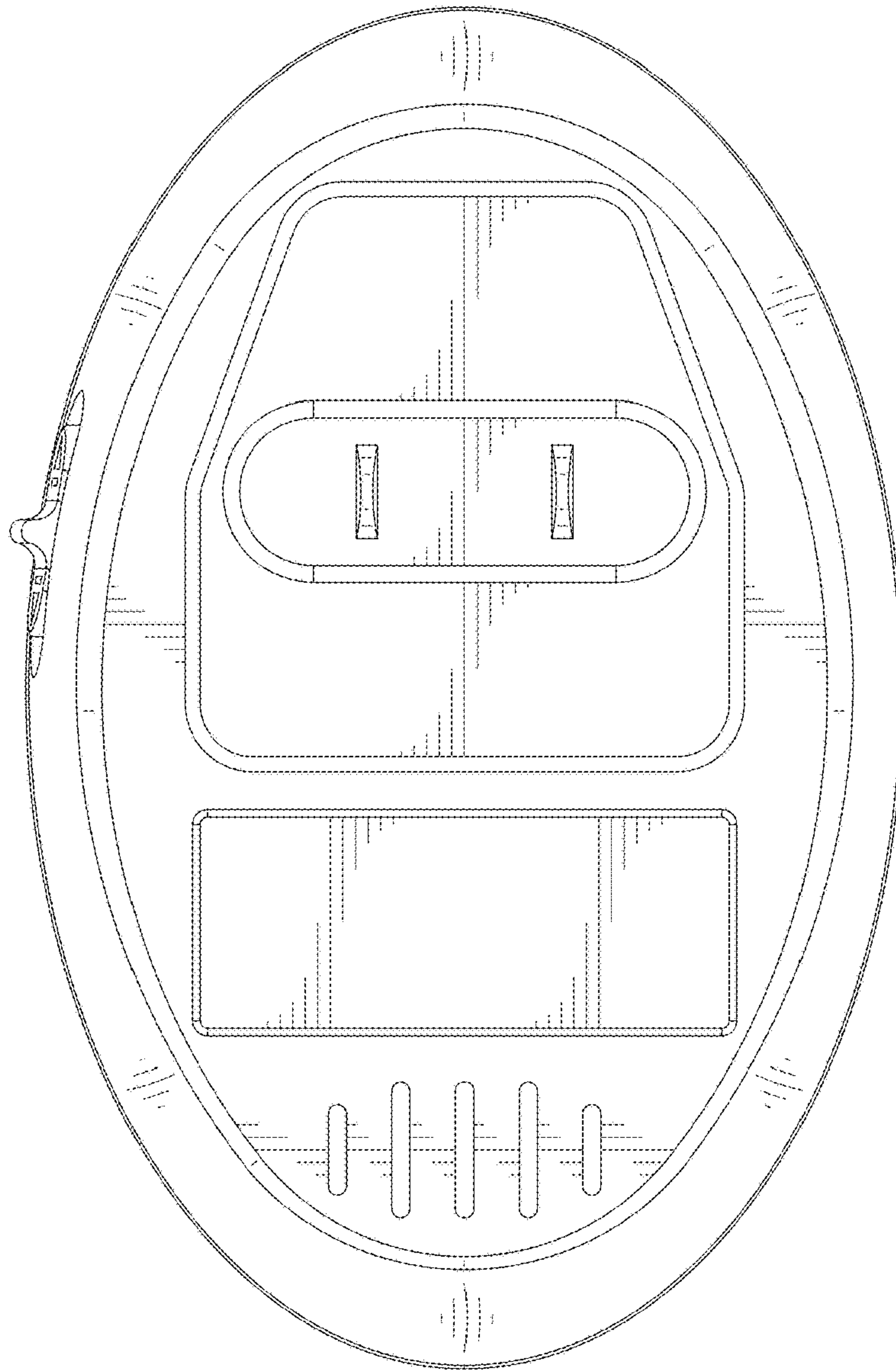


FIG.4

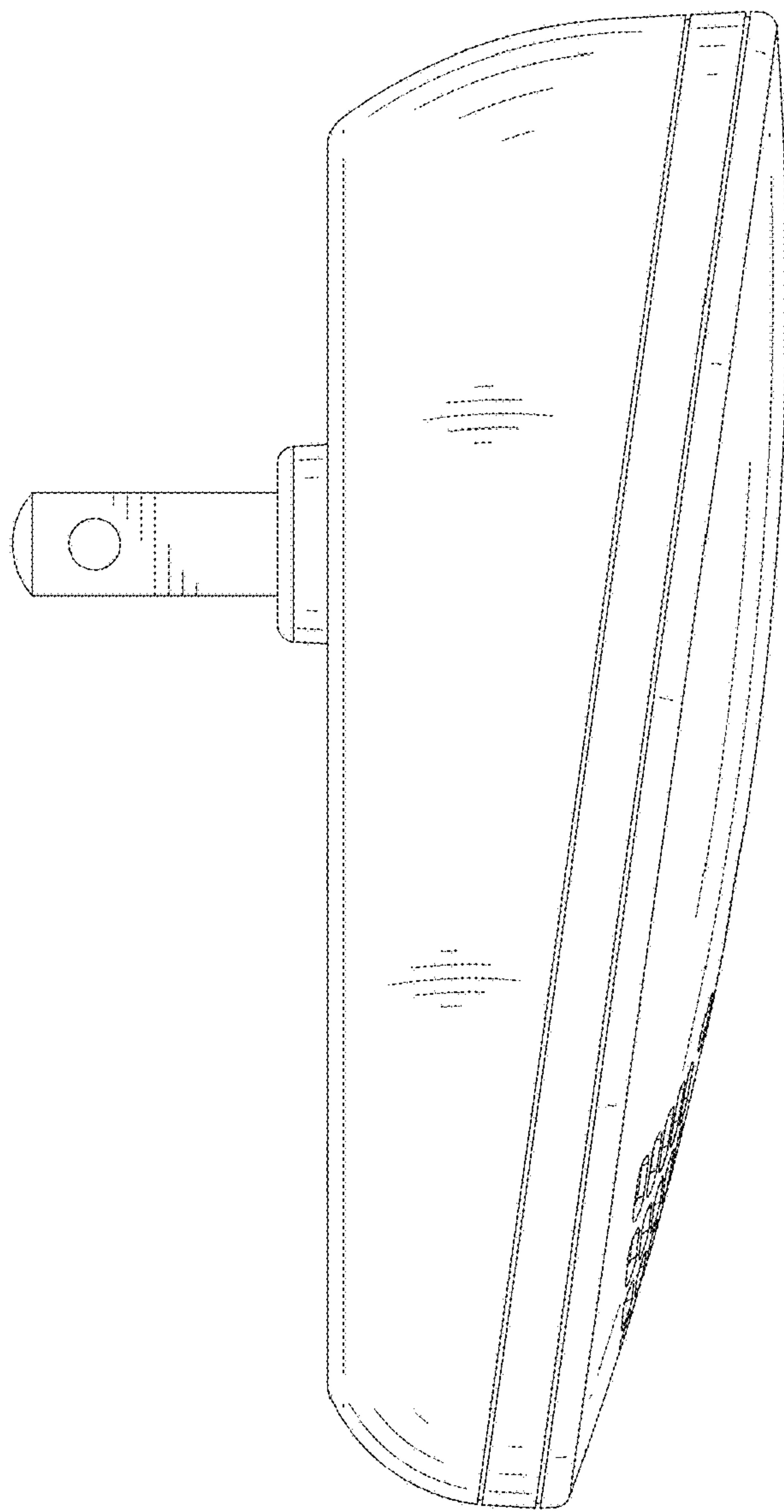


FIG.5

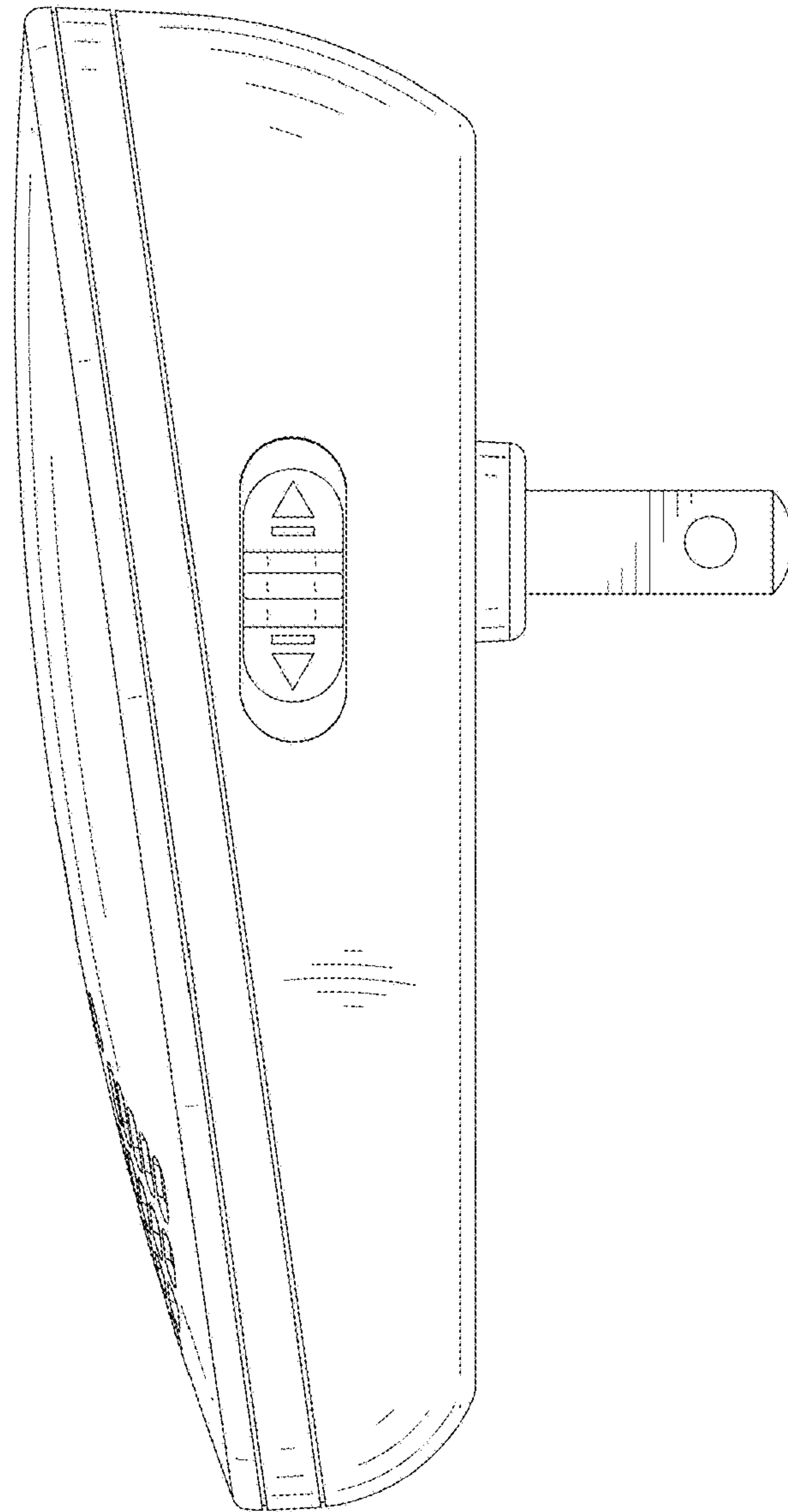


FIG.6

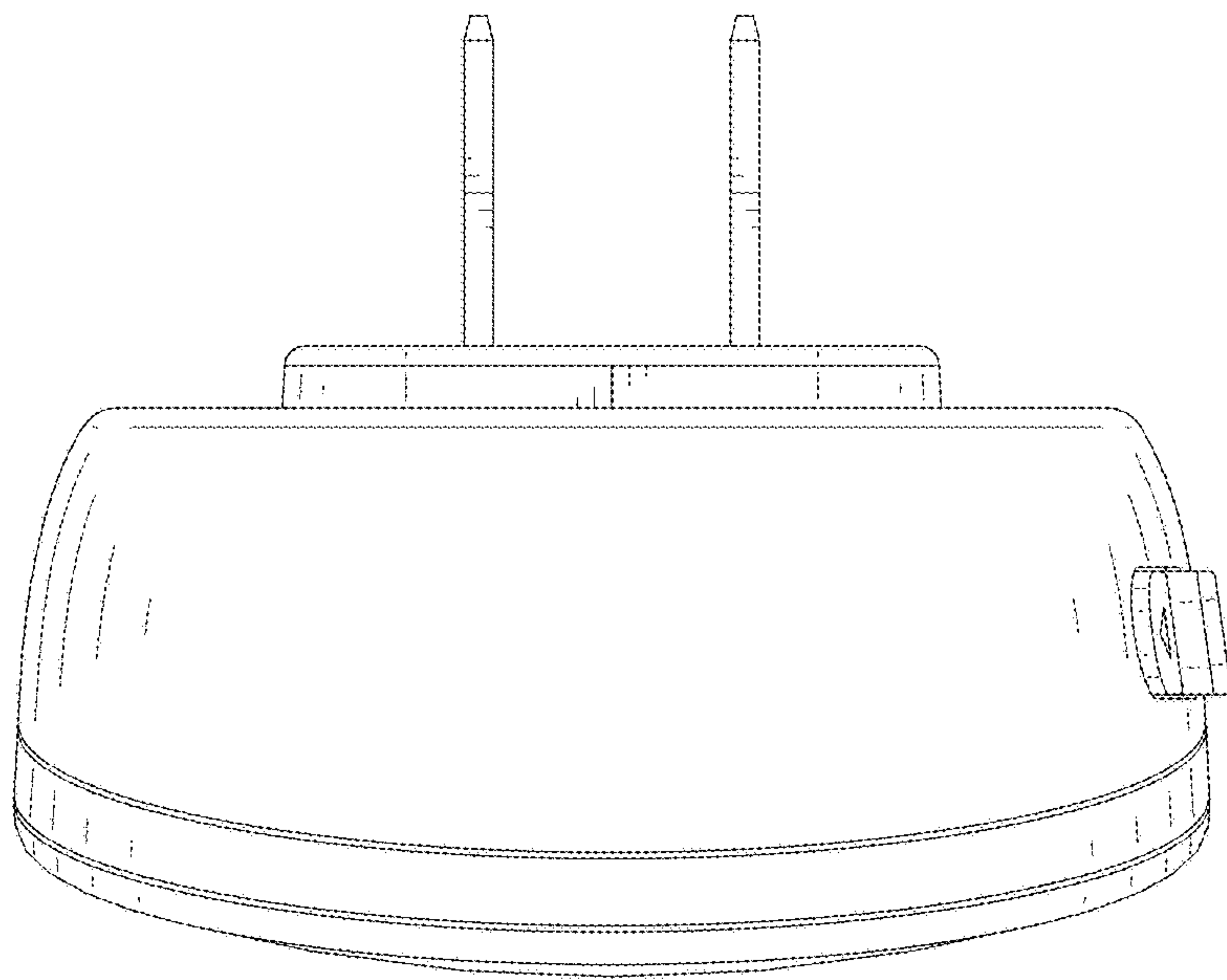


FIG.7

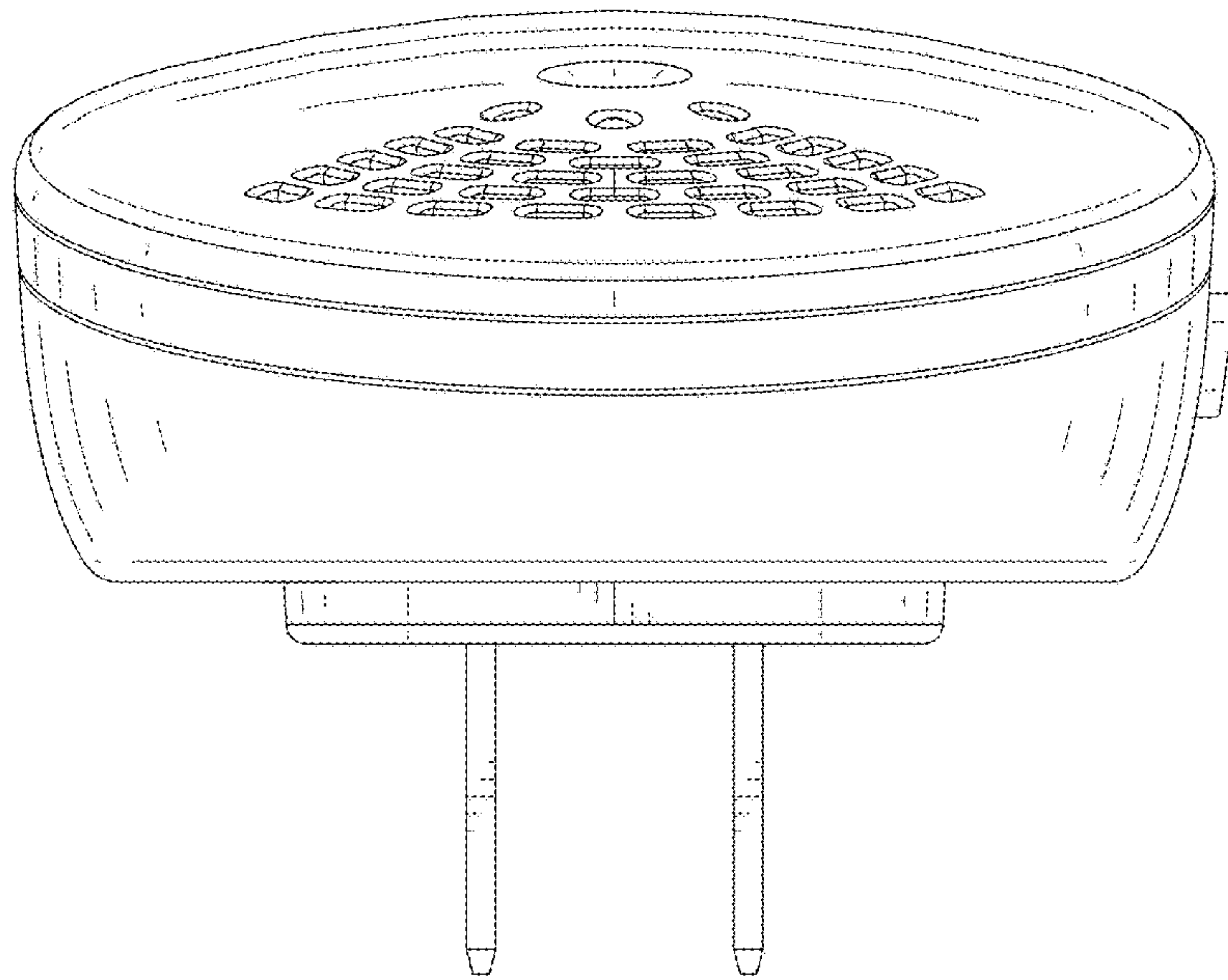


FIG.8