



US00D852311S

(12) **United States Design Patent**
Honda

(10) **Patent No.:** **US D852,311 S**

(45) **Date of Patent:** **** Jun. 25, 2019**

- (54) **LASER RANGE FINDER**
- (71) Applicant: **Nikon Vision Co., Ltd.**, Tokyo (JP)
- (72) Inventor: **Kotaro Honda**, Ageo (JP)
- (73) Assignee: **Nikon Vision Co., Ltd.**, Tokyo (JP)
- (**) Term: **15 Years**
- (21) Appl. No.: **29/631,099**
- (22) Filed: **Dec. 27, 2017**
- (51) **LOC (11) Cl.** **22-01**
- (52) **U.S. Cl.**
USPC **D22/109**
- (58) **Field of Classification Search**
USPC D22/108, 109, 199; D8/349, 354, 387;
D14/258
CPC A47B 95/043; A47B 95/00; A47C 7/004;
B65D 85/00; B65D 85/48; B65D 81/056;
B65D 2581/053; B65D 81/05; E04F
13/06; E04F 19/0436; E04F 19/0495;
E04H 15/32; F16B 45/00; G01S 7/497
See application file for complete search history.

- D800,864 S * 10/2017 Hartley D22/109
- D812,178 S * 3/2018 Galli D22/108
- D830,491 S * 10/2018 Mock D22/109

(Continued)

OTHER PUBLICATIONS

Gander Outdoors website, Nikon Monarch 3000 Stabilized Laser Rangefinder, Publication date unknow, [Site visited on Jan. 15, 2019], Available on the Internet URL <https://www.ganderoutdoors.com/product/details?pdesc=Nikon-MONARCH-3000-STABILIZED-Laser-Rangefinder&i=275092>.*

(Continued)

Primary Examiner — Karen S Acker
Assistant Examiner — Steven B Reinholdt, Jr.
(74) *Attorney, Agent, or Firm* — Wolf, Greenfield & Sacks, P.C.

(57) **CLAIM**

The ornamental design for a laser range finder, as shown and described.

DESCRIPTION

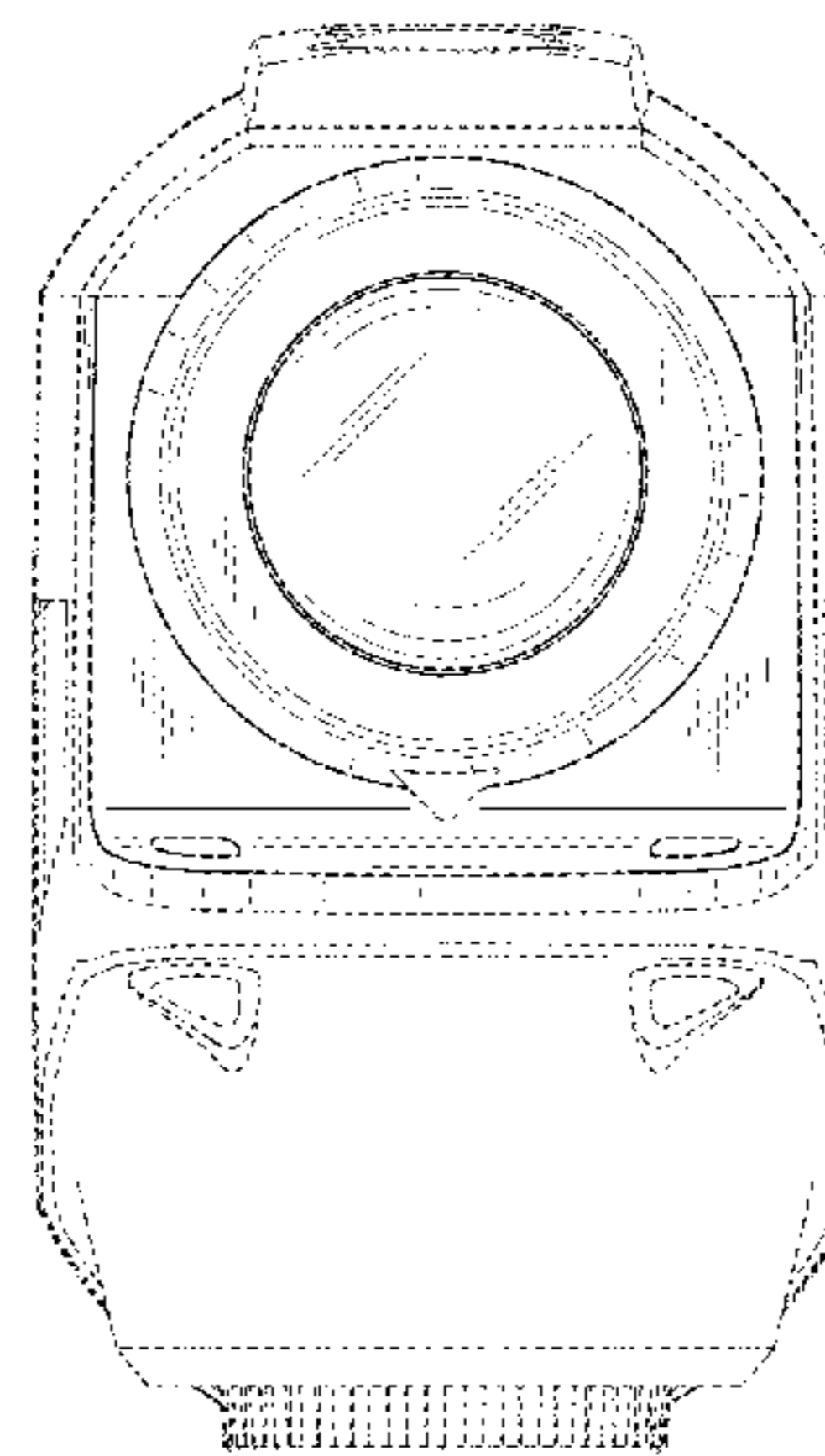
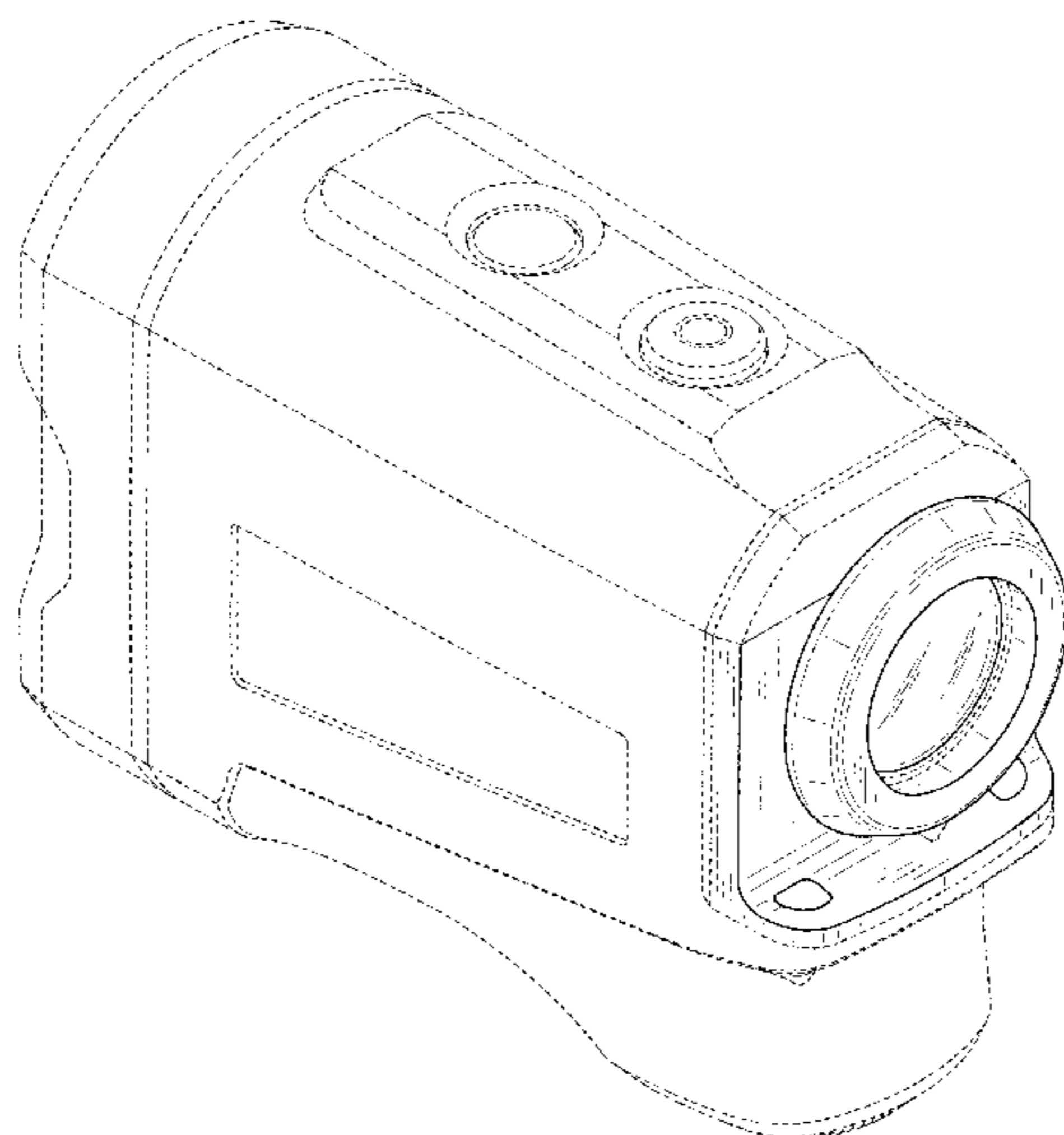
FIG. 1 is a front perspective view of a laser range finder showing my new design;
FIG. 2 is a rear perspective view thereof;
FIG. 3 is a front view thereof;
FIG. 4 is a rear view thereof;
FIG. 5 is a top plan view thereof;
FIG. 6 is a bottom plan view thereof;
FIG. 7 is a right side view thereof; and,
FIG. 8 is a left side view thereof.

Features drawn in even spaced broken lines including surfaces adjacent to claimed areas defined by solid lines and shading depict portions of the laser range finder that form no part of the claimed design. The dashed-dotted broken line shown in FIG. 1 and FIG. 7 depicts a boundary to the claim and forms no part thereof.

1 Claim, 8 Drawing Sheets

(56) **References Cited**
U.S. PATENT DOCUMENTS

- D453,301 S * 2/2002 Vermillion D10/66
- D547,780 S * 7/2007 Meinzer D16/132
- D578,599 S * 10/2008 Cheng D16/130
- D619,190 S * 7/2010 Larsson D22/108
- D647,159 S * 10/2011 Kobayashi D22/109
- D706,848 S * 6/2014 Kobayashi G02B 23/00
D16/133
- D713,437 S * 9/2014 Soejima D16/133
- D716,858 S * 11/2014 Kobayashi D16/132
- D716,859 S * 11/2014 Nakajima D16/133
- D723,080 S * 2/2015 Kobayashi D16/132
- D749,689 S * 2/2016 Cheng D22/109
- D787,627 S * 5/2017 Horton D22/109
- D795,989 S * 8/2017 Horton D22/109
- D796,622 S * 9/2017 Sharrah D22/109



(56)

References Cited

U.S. PATENT DOCUMENTS

2005/0110976 A1* 5/2005 LaBelle G01C 3/08
356/5.01
2005/0110977 A1* 5/2005 LaBelle G01C 3/08
356/6
2015/0055119 A1* 2/2015 Hamilton F41G 1/473
356/4.01
2018/0335508 A1* 11/2018 Lewis G01S 7/497

OTHER PUBLICATIONS

[No Autor Listed] Photographs of Halo R900X Rangefinder. Sportsman's Guide. <https://www.sportsmansguide.com/product/index/halo-r900x-rangefinder?a=1741209>, 3 pages [publicly available at least as early as Nov. 2016].

[No Author Listed] Photographs of SIG SAUER 6x20 KILO1250 Laser Rangefinder. B&H Foto & Electronics Corp. https://www.bhphotovideo.com/c/product/1295845-REG/sig_sauer_sok12601_kilo1250_kilo1250_6x20mm_laser_range.html, 4 pages [publicly available at least as early as Nov. 2016].

* cited by examiner

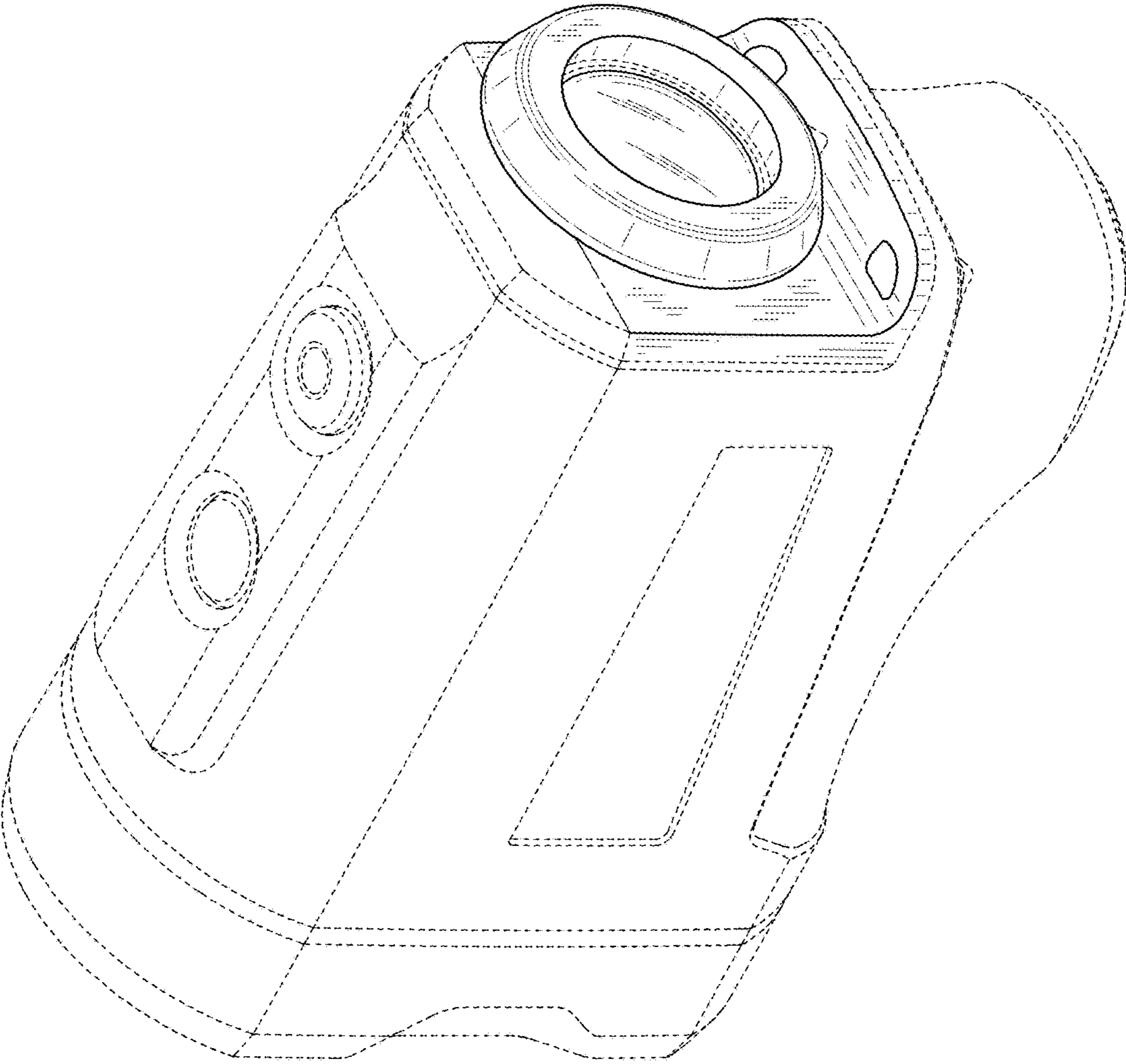


FIG.1

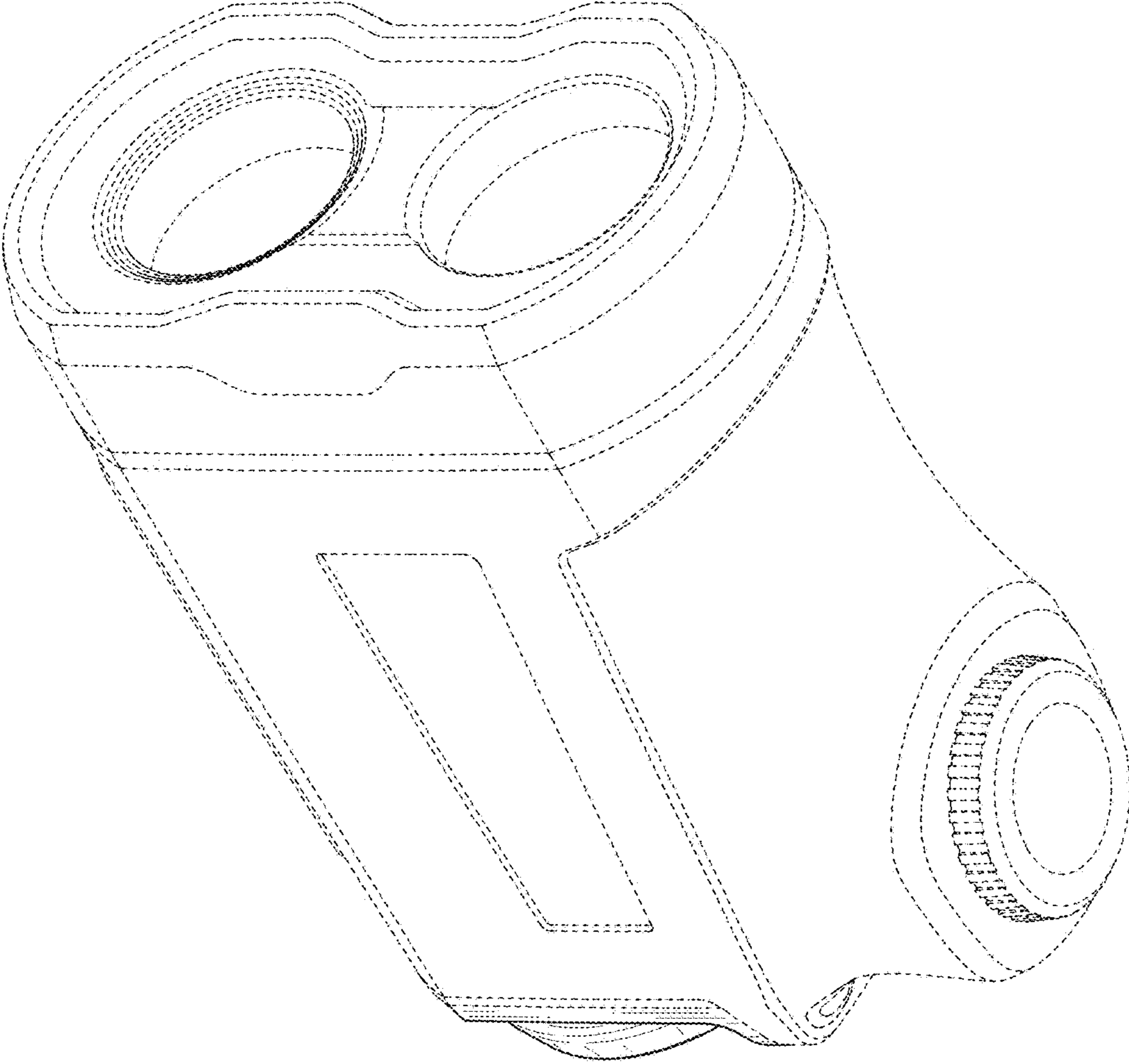


FIG.2

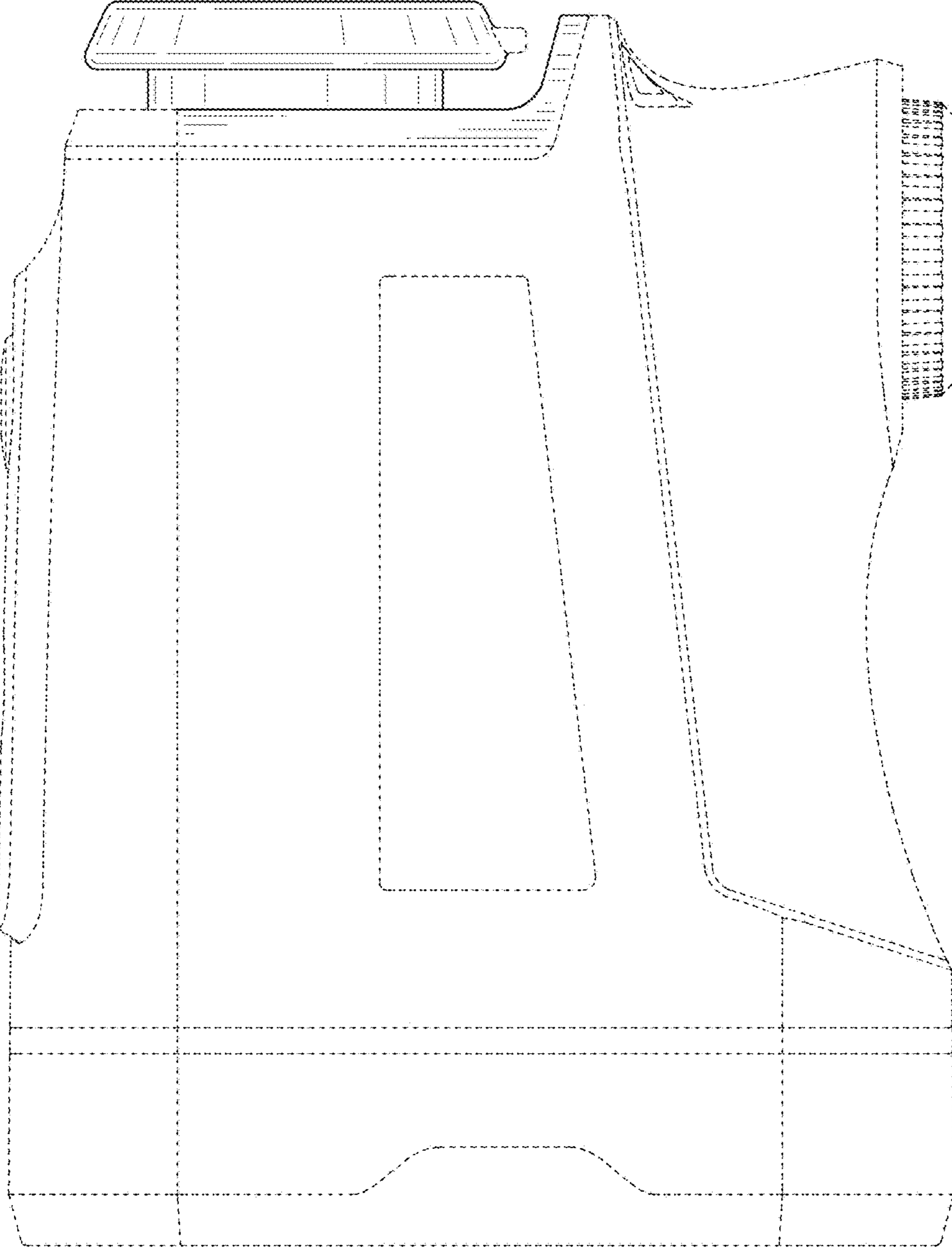


FIG.3

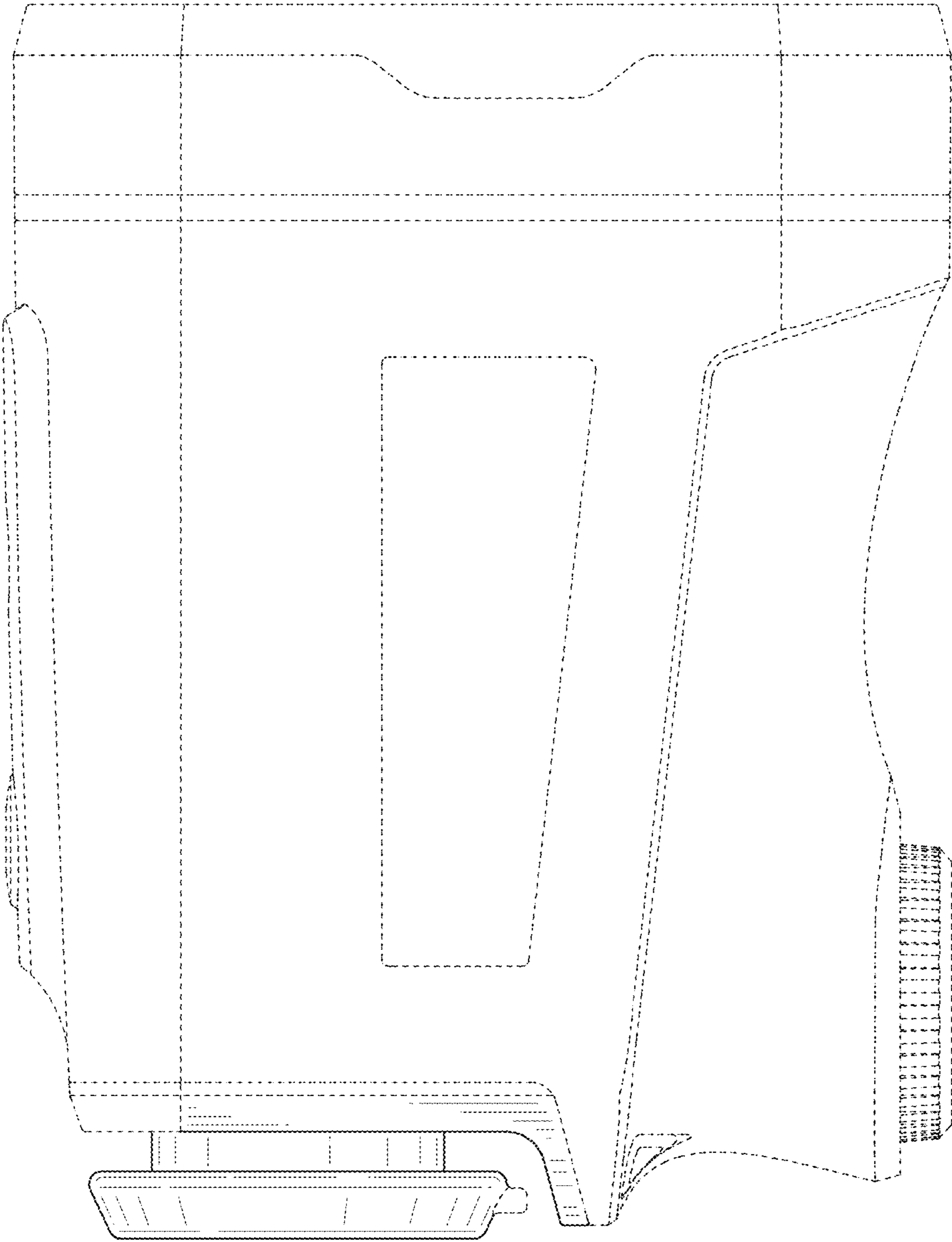


FIG.4

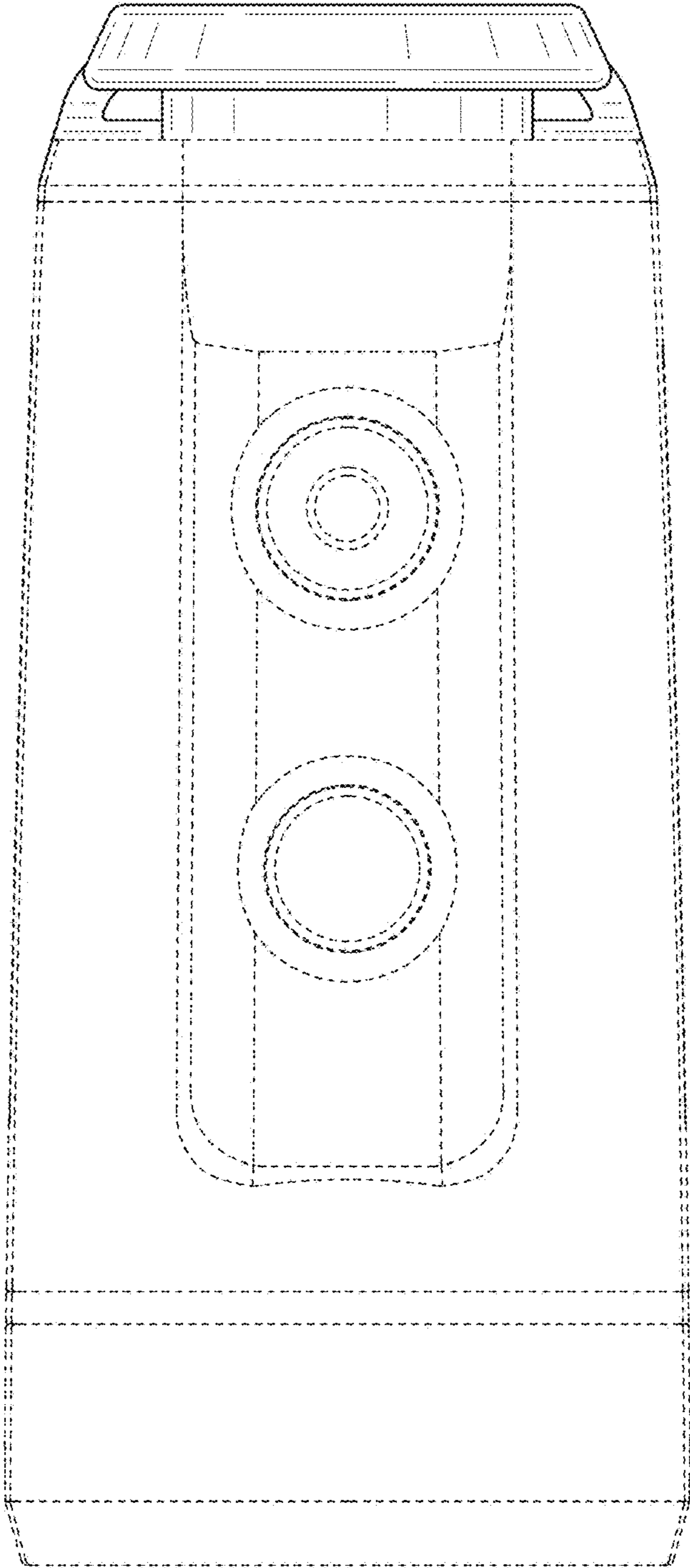


FIG. 5

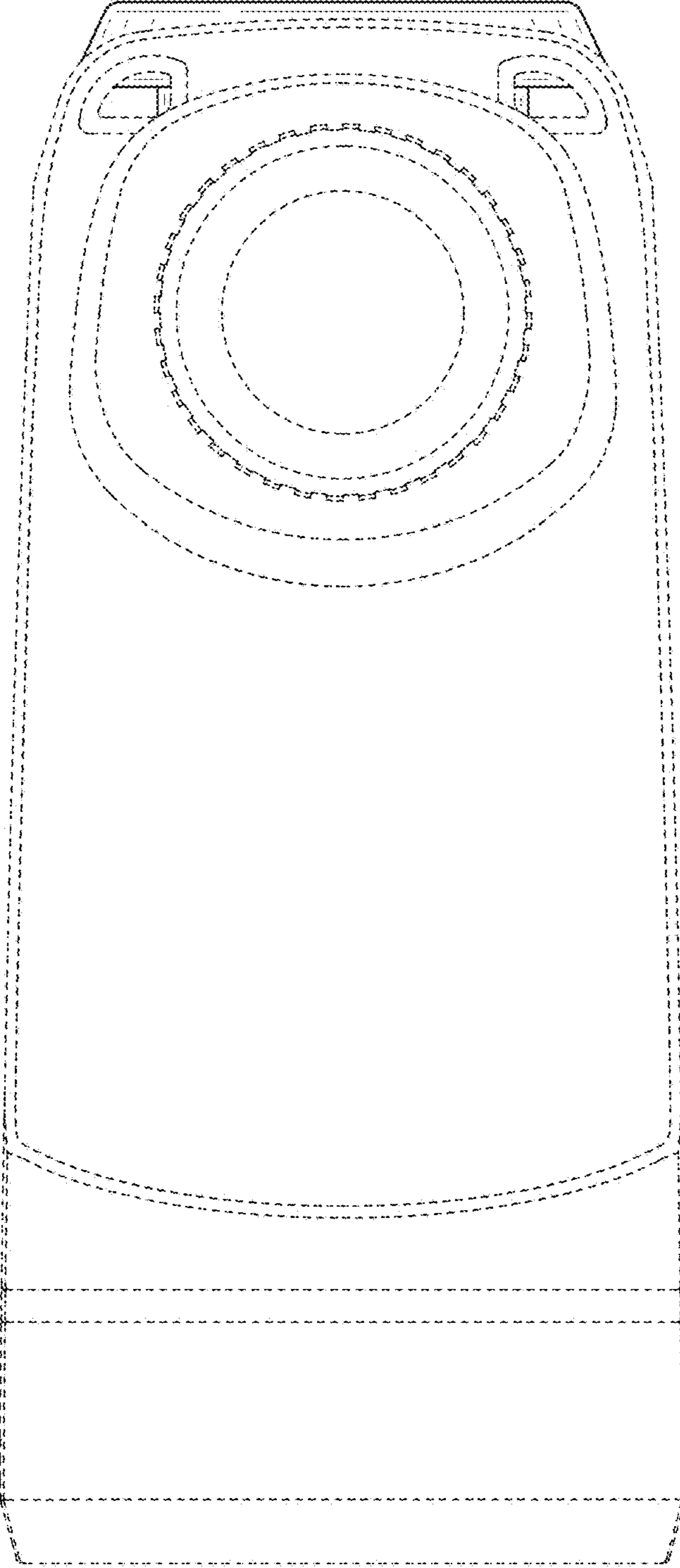


FIG. 6

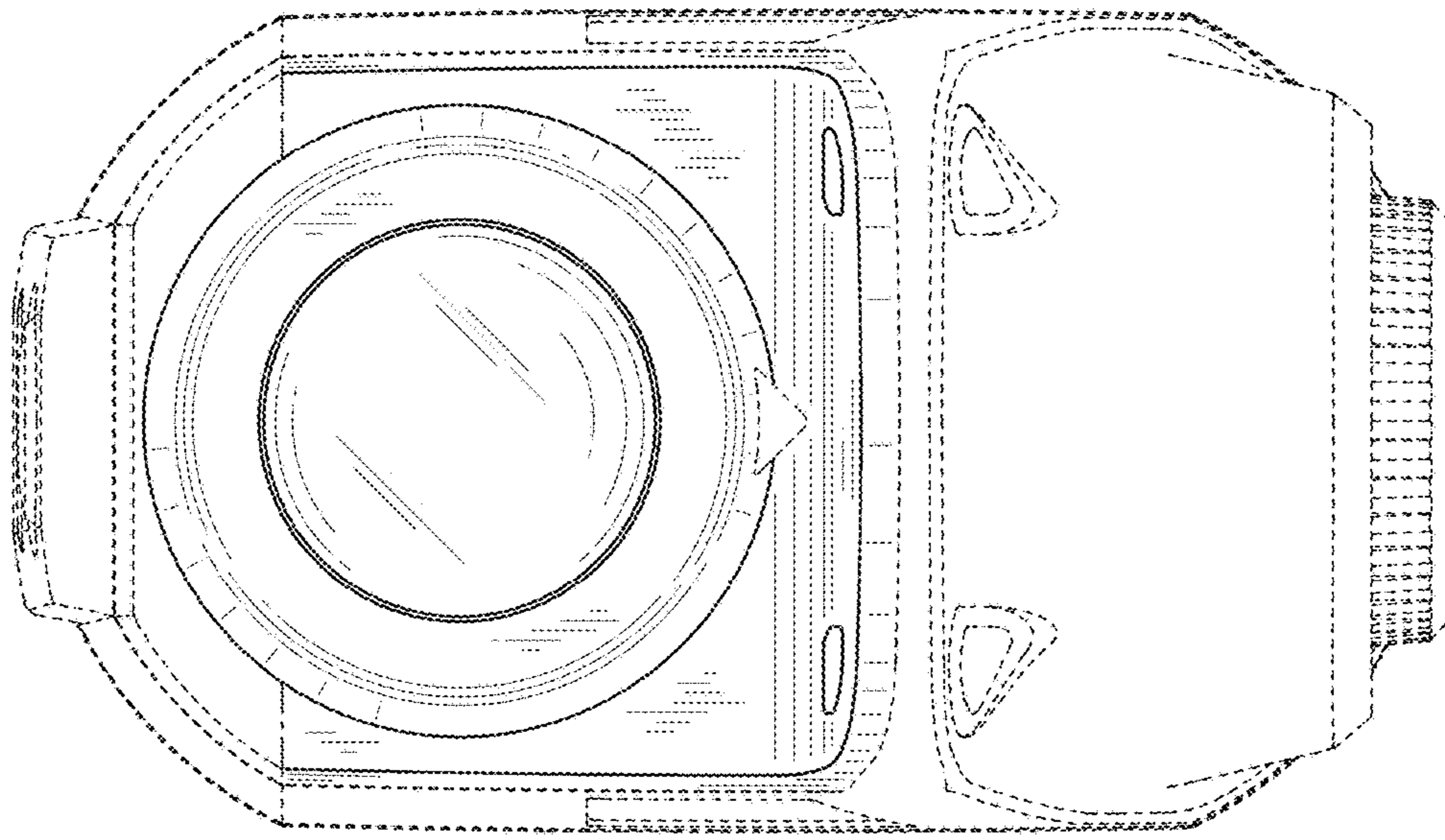


FIG.7

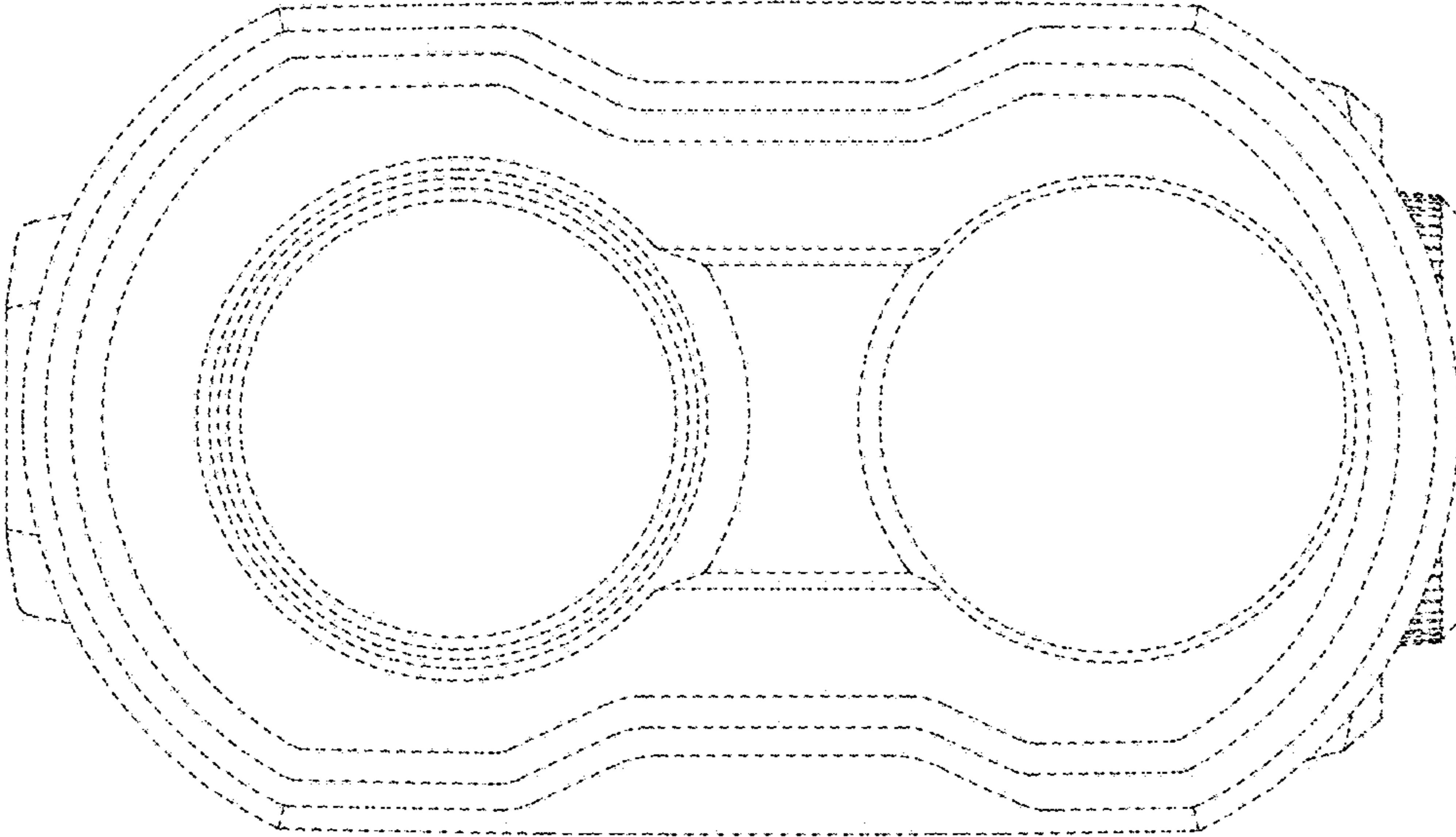


FIG. 8