



US00D852310S

(12) **United States Design Patent**  
**Knupple, Jr.**

(10) **Patent No.:** **US D852,310 S**  
(45) **Date of Patent:** **\*\* Jun. 25, 2019**

(54) **SCOPE RING ALIGNMENT ASSEMBLY**

2017/0003103 A1\* 1/2017 Moore ..... F41B 5/148  
2018/0080738 A1\* 3/2018 Patton ..... F41G 1/54  
2019/0011225 A1\* 1/2019 Sun ..... F41G 1/54

(71) Applicant: **David Earl Knupple, Jr.**, Silsbee, TX  
(US)

FOREIGN PATENT DOCUMENTS

(72) Inventor: **David Earl Knupple, Jr.**, Silsbee, TX  
(US)

CN 106643296 B 5/2017  
WO 2014170581 A1 10/2014  
WO DM/094 792 11/2016

(\*\*) Term: **15 Years**

OTHER PUBLICATIONS

(21) Appl. No.: **29/684,248**

Wheeler Engineering Professional Laser Bore Sight <https://www.midwayusa.com/product/2130726870/wheeler-engineering-professional-laser-bore-sight>.

(22) Filed: **Mar. 19, 2019**

(51) **LOC (11) Cl.** ..... **22-01**

(52) **U.S. Cl.**  
USPC ..... **D22/108**

\* cited by examiner

(58) **Field of Classification Search**  
USPC ..... D22/108; D8/14-16, 51, 71-72, 80, 83,  
D8/88, 89

*Primary Examiner* — Michael A. Pratt

CPC ..... F41G 1/545  
See application file for complete search history.

(57) **CLAIM**

The ornamental design for a scope ring alignment assembly, as shown and described.

(56) **References Cited**

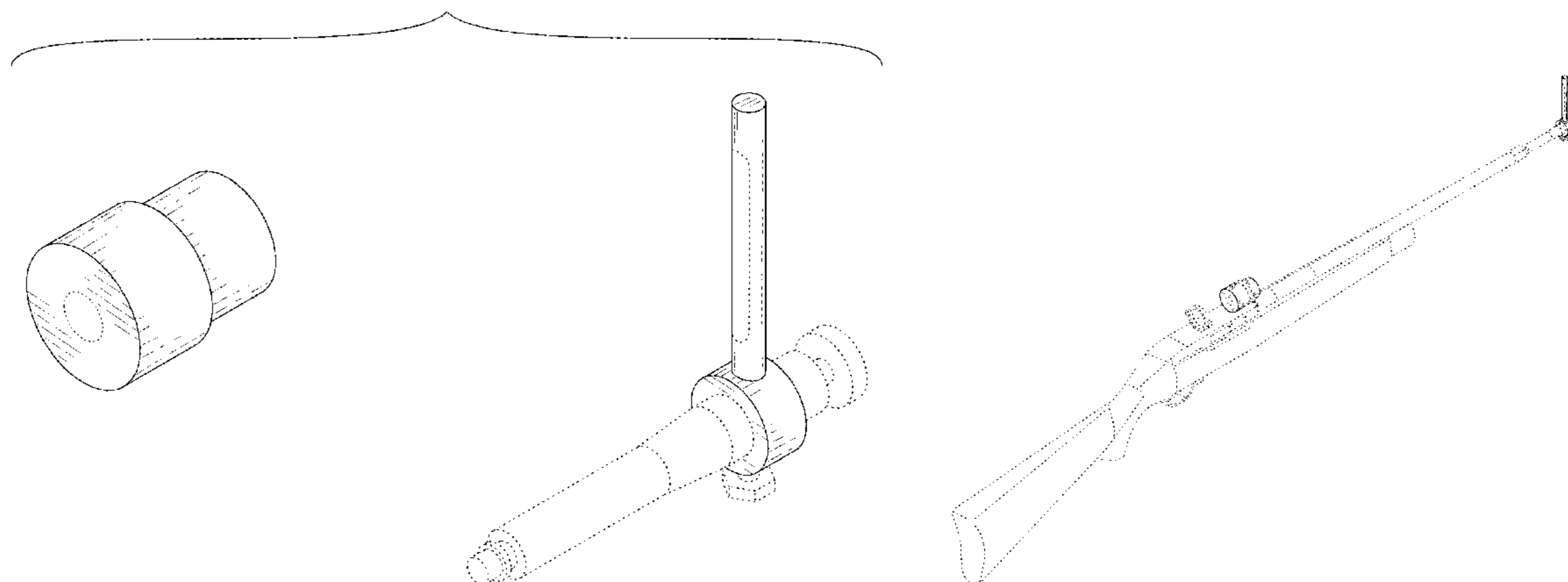
**DESCRIPTION**

U.S. PATENT DOCUMENTS

4,407,086 A	10/1983	Hasselmann	
D279,812 S	7/1985	Cellini	
5,417,004 A	5/1995	Krantz	
5,499,455 A	3/1996	Palmer	
6,176,019 B1	1/2001	Frear	
6,499,247 B1	12/2002	Peterson	
6,813,855 B2	11/2004	Pinkley	
D545,940 S	7/2007	Langner	
D619,195 S	7/2010	Bengtsson	
D659,219 S	5/2012	Coulter et al.	
D662,565 S	6/2012	Burt	
D685,446 S	7/2013	Williams	
D688,314 S	8/2013	Slayton et al.	
8,656,625 B2	2/2014	Holmberg	
D781,682 S	3/2017	Avellaneda et al.	
D790,648 S	6/2017	Pezeshk	
2014/0295380 A1*	10/2014	Amis	F41G 3/2627 434/21

FIG. 1 is a front-top-left perspective view of a scope ring alignment assembly showing my new design;  
FIG. 2 is a front-top-left perspective view of a scope ring alignment assembly attached to a firearm;  
FIG. 3 is a right elevation view thereof;  
FIG. 4 is a left elevation view thereof;  
FIG. 5 is a top elevation view thereof;  
FIG. 6 is a bottom elevation view thereof;  
FIG. 7 is a front elevation view thereof; and,  
FIG. 8 is a rear elevation view thereof.  
The broken line showing of the arbor, the holes in the centering component and the barrel, the firearm, the marking and the knobs on the centering component in FIGS. 1-8 are included for the purpose of showing environmental structure and form no part of the claimed design.

**1 Claim, 8 Drawing Sheets**



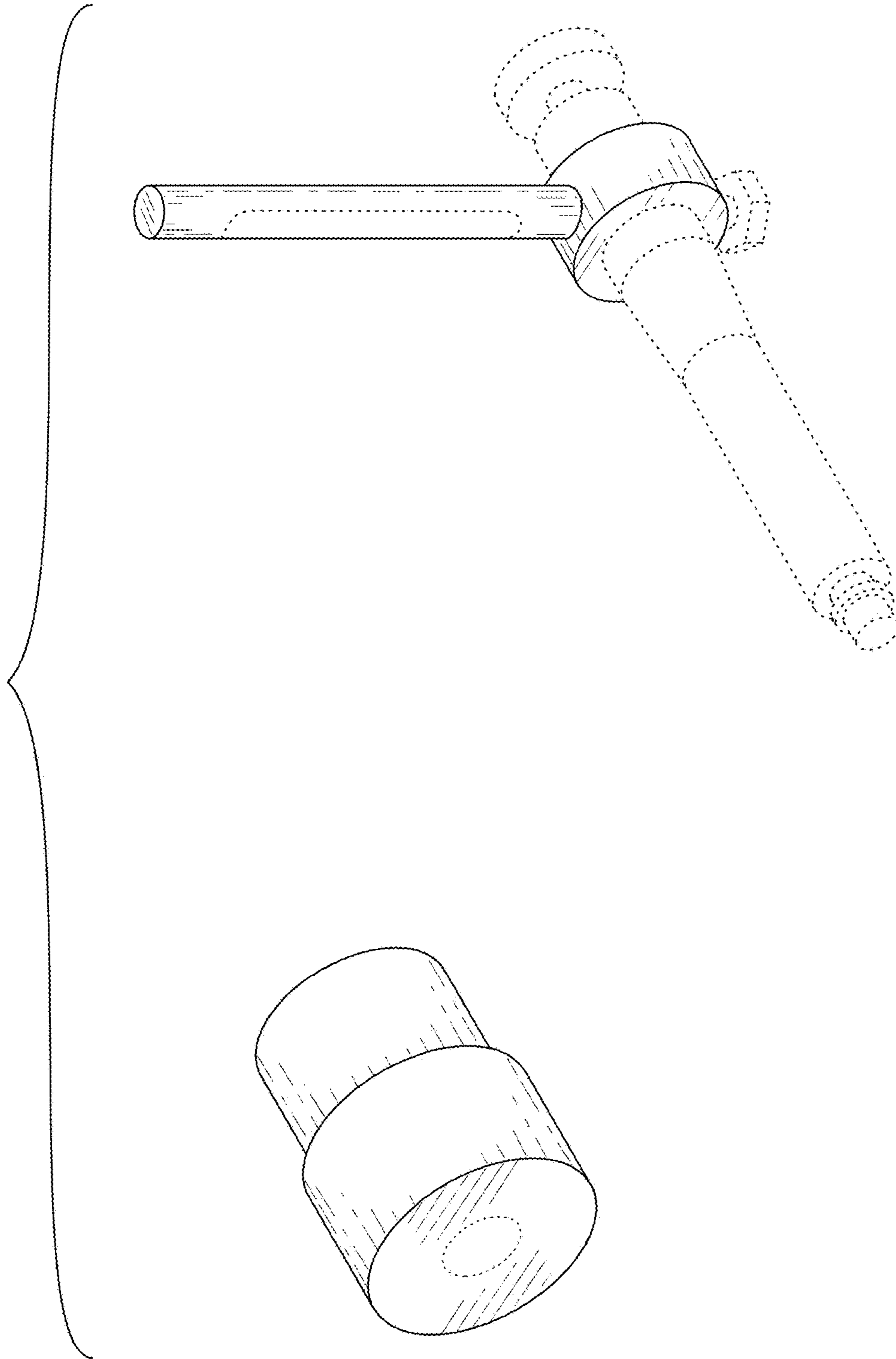


FIG. 1

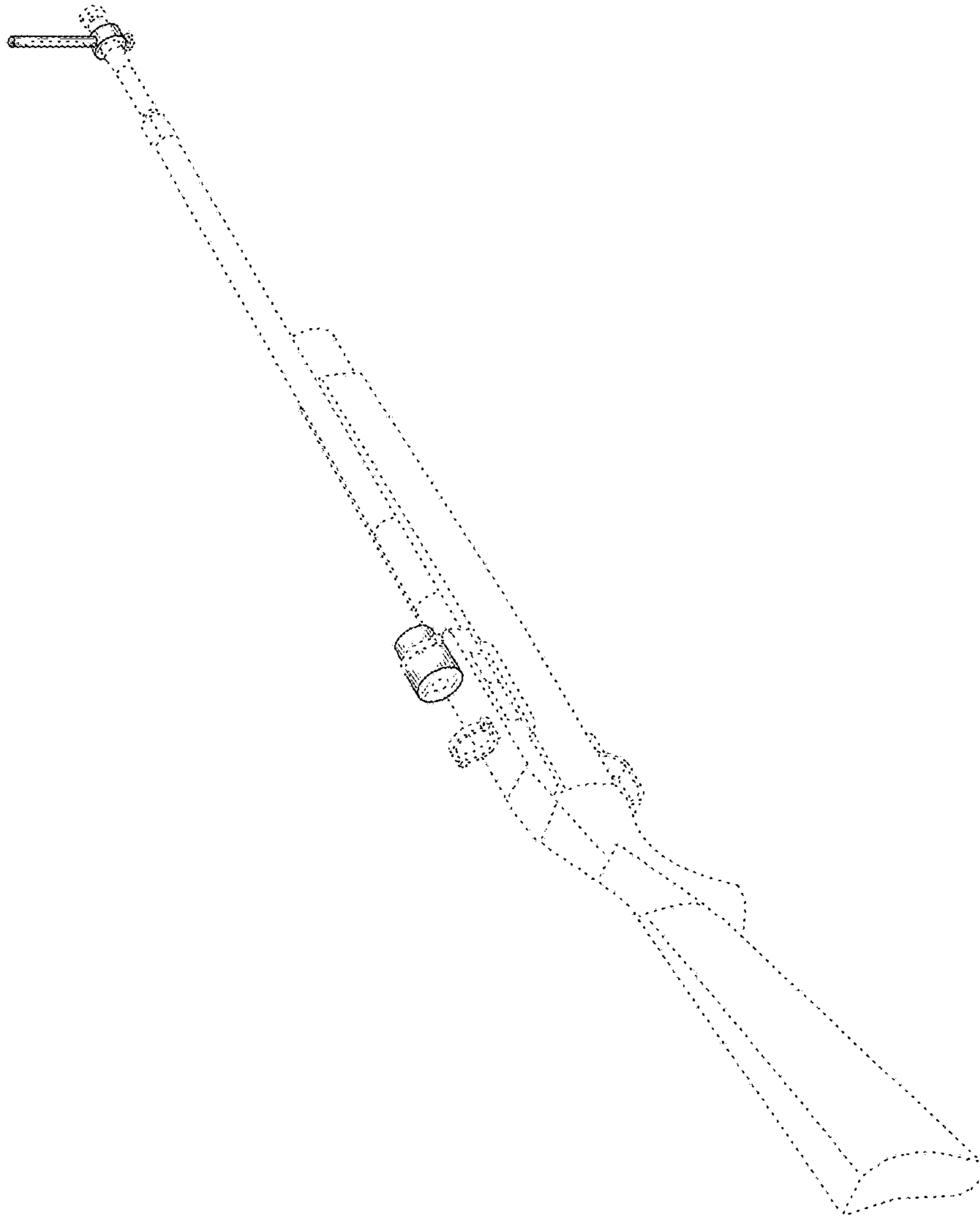


FIG. 2

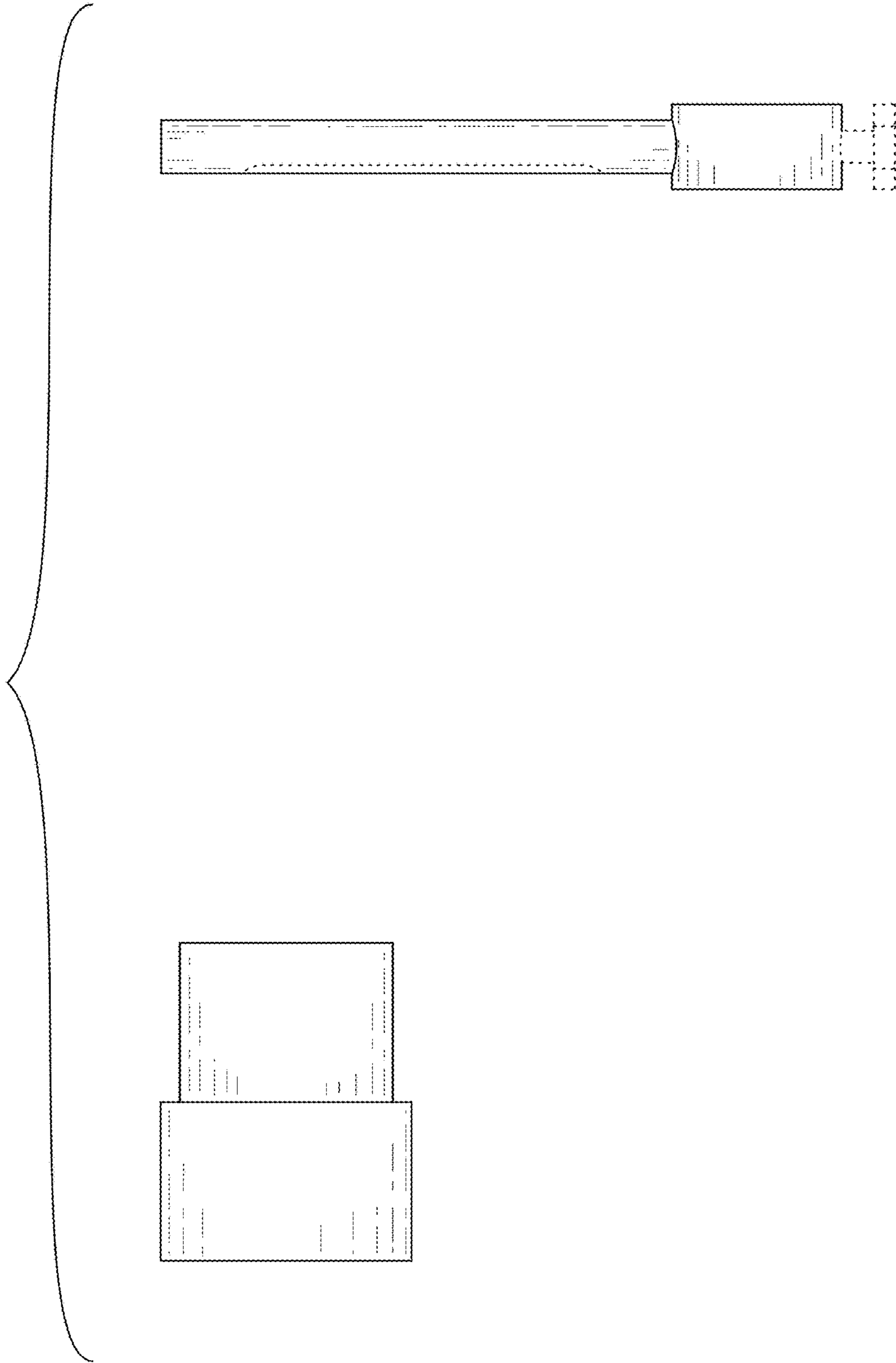


FIG. 3

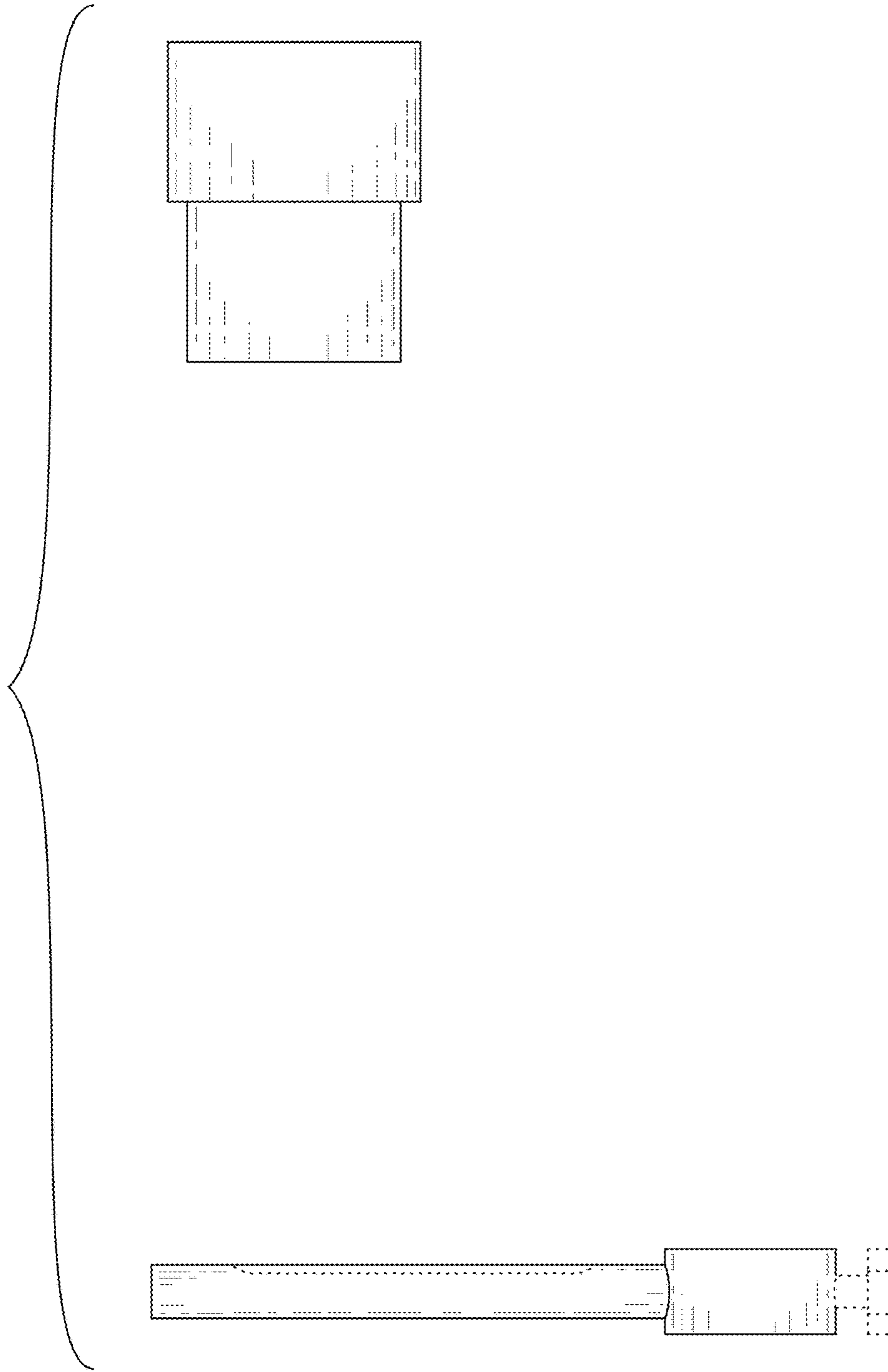


FIG. 4

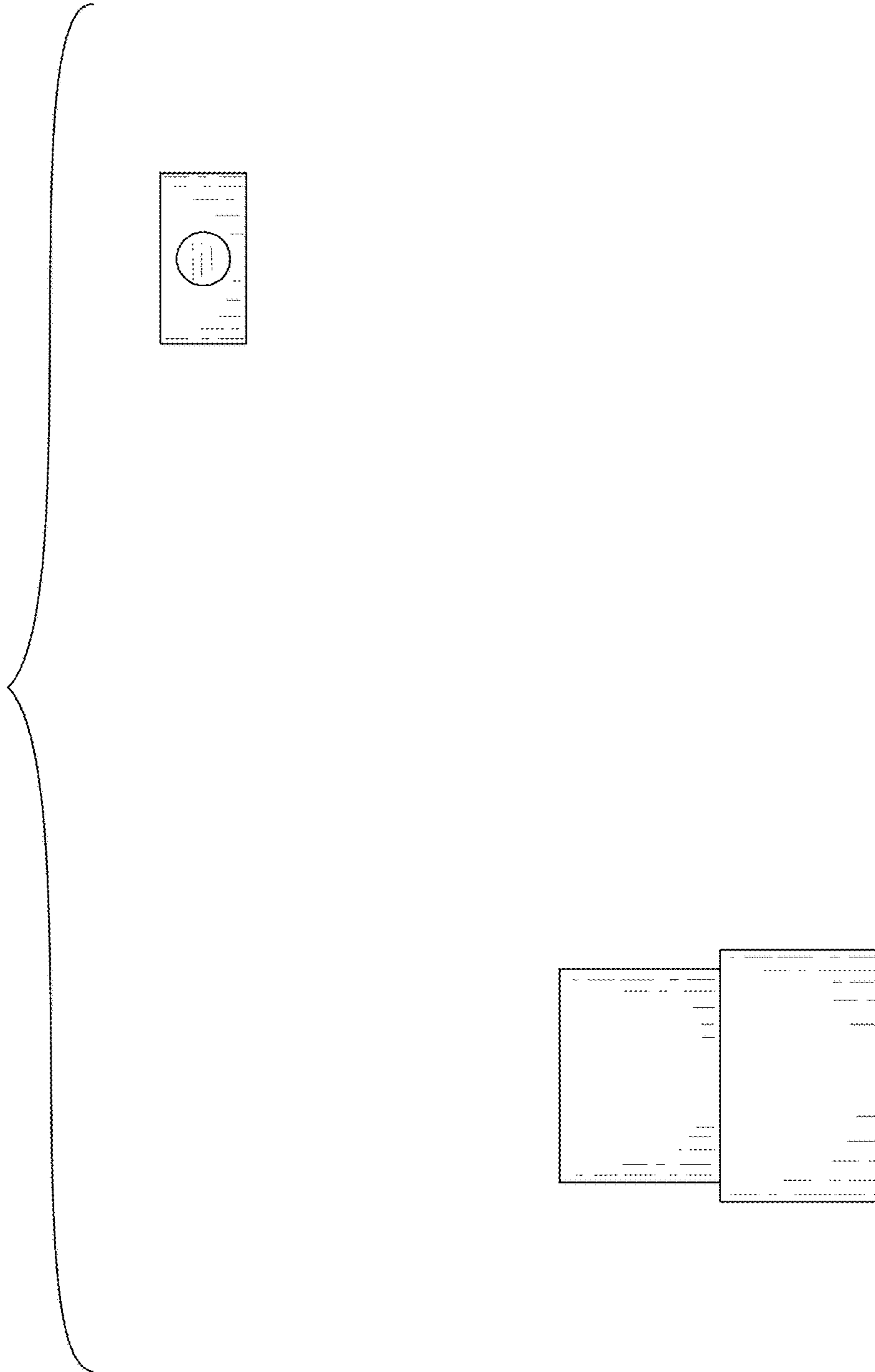


FIG. 5

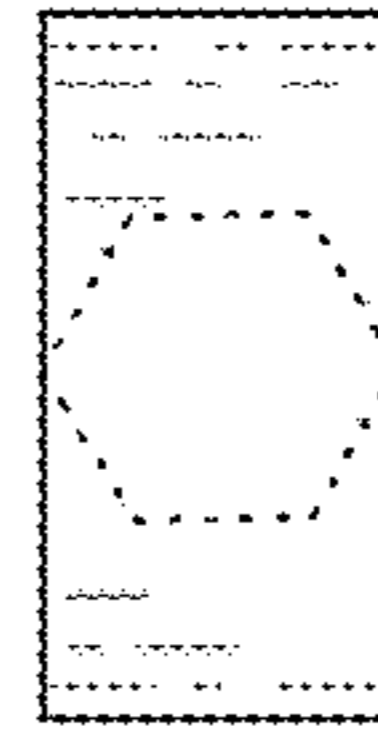
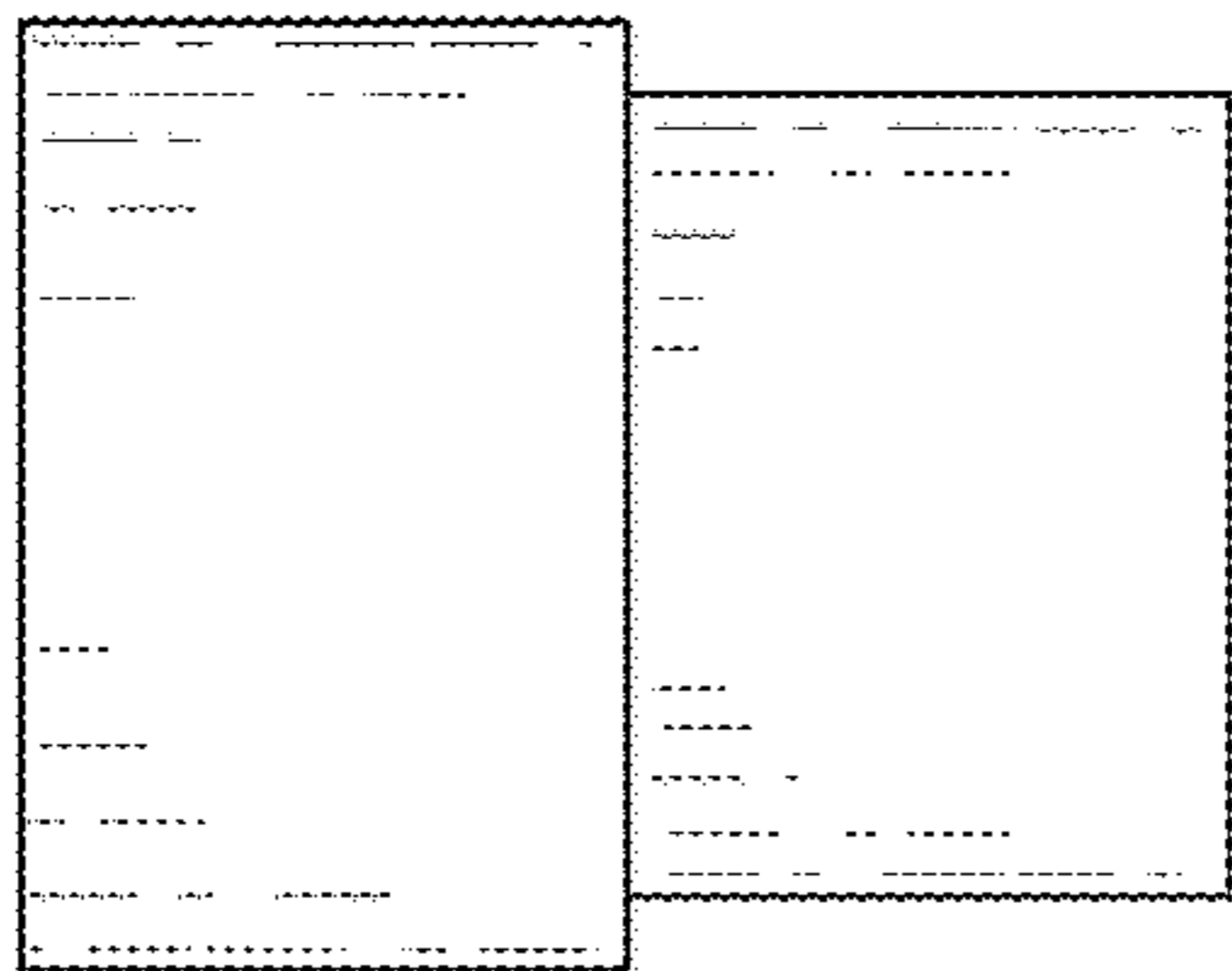
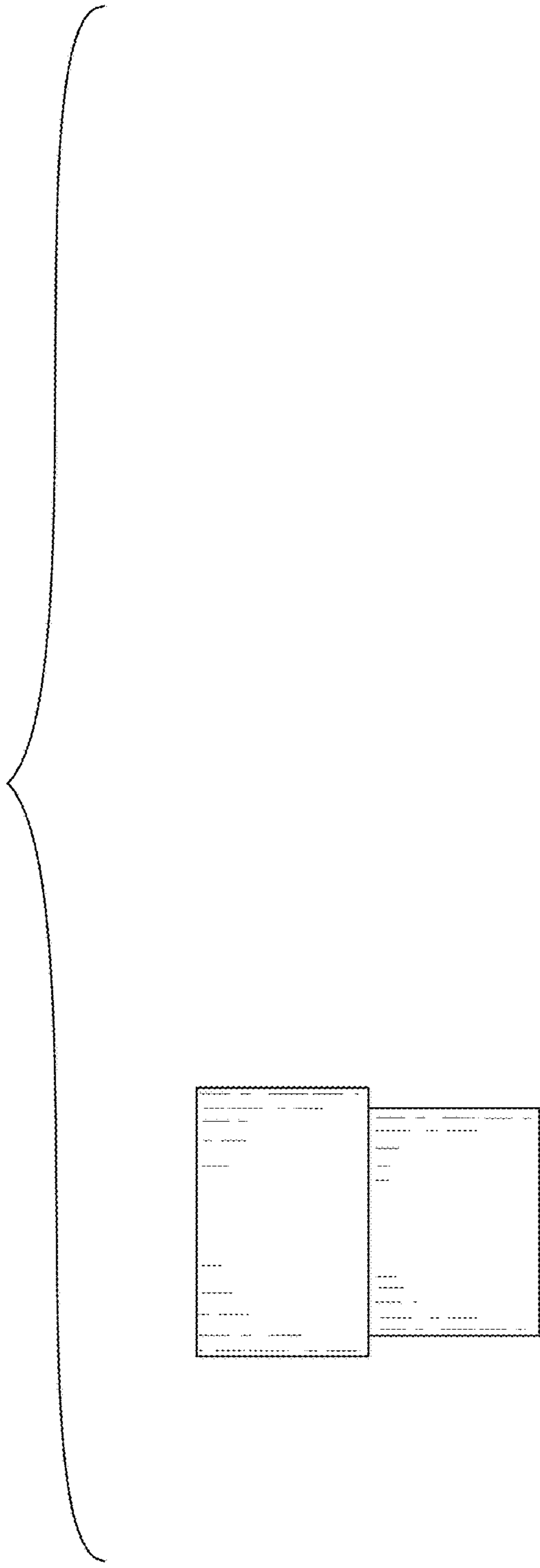


FIG. 6

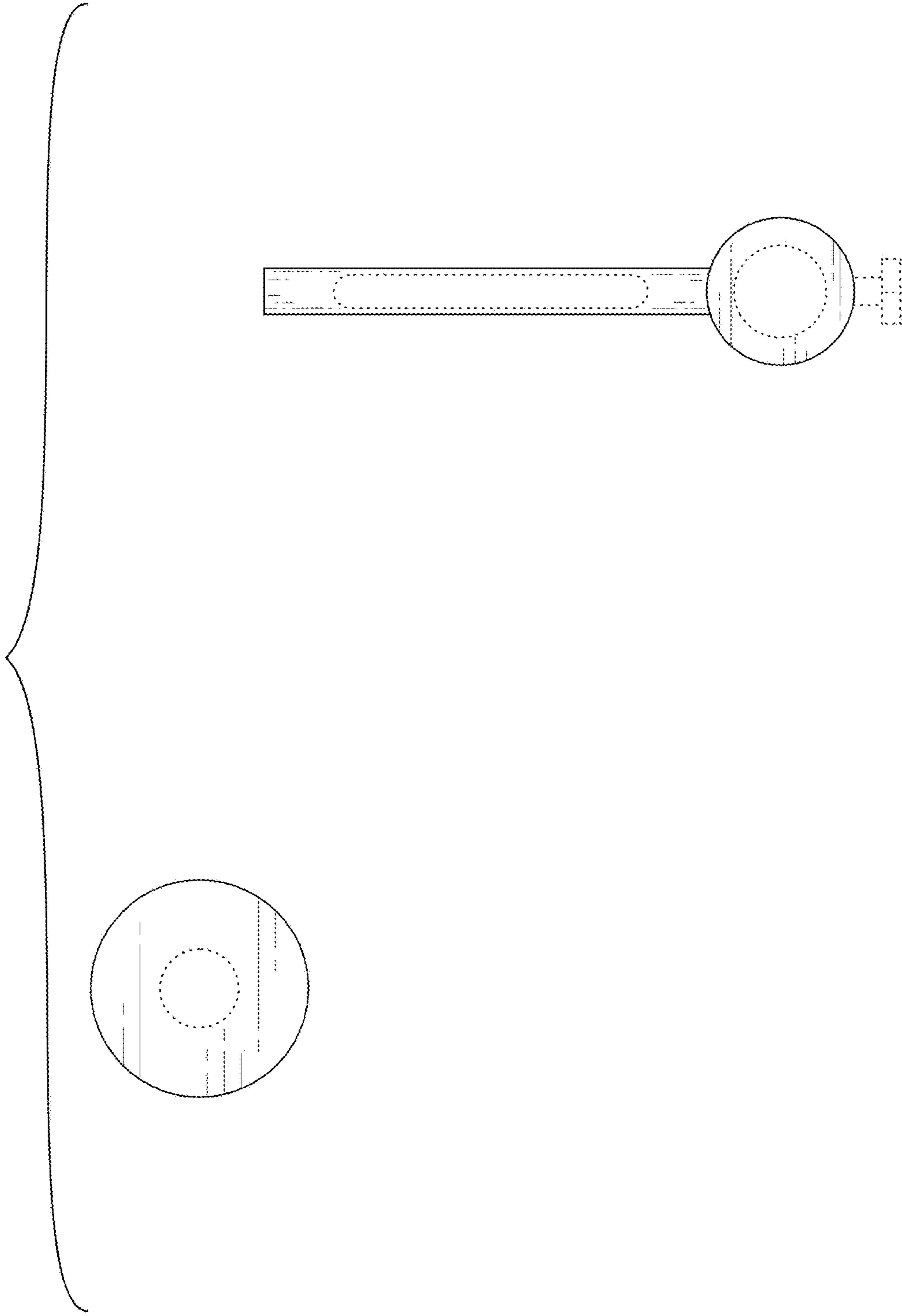


FIG. 7



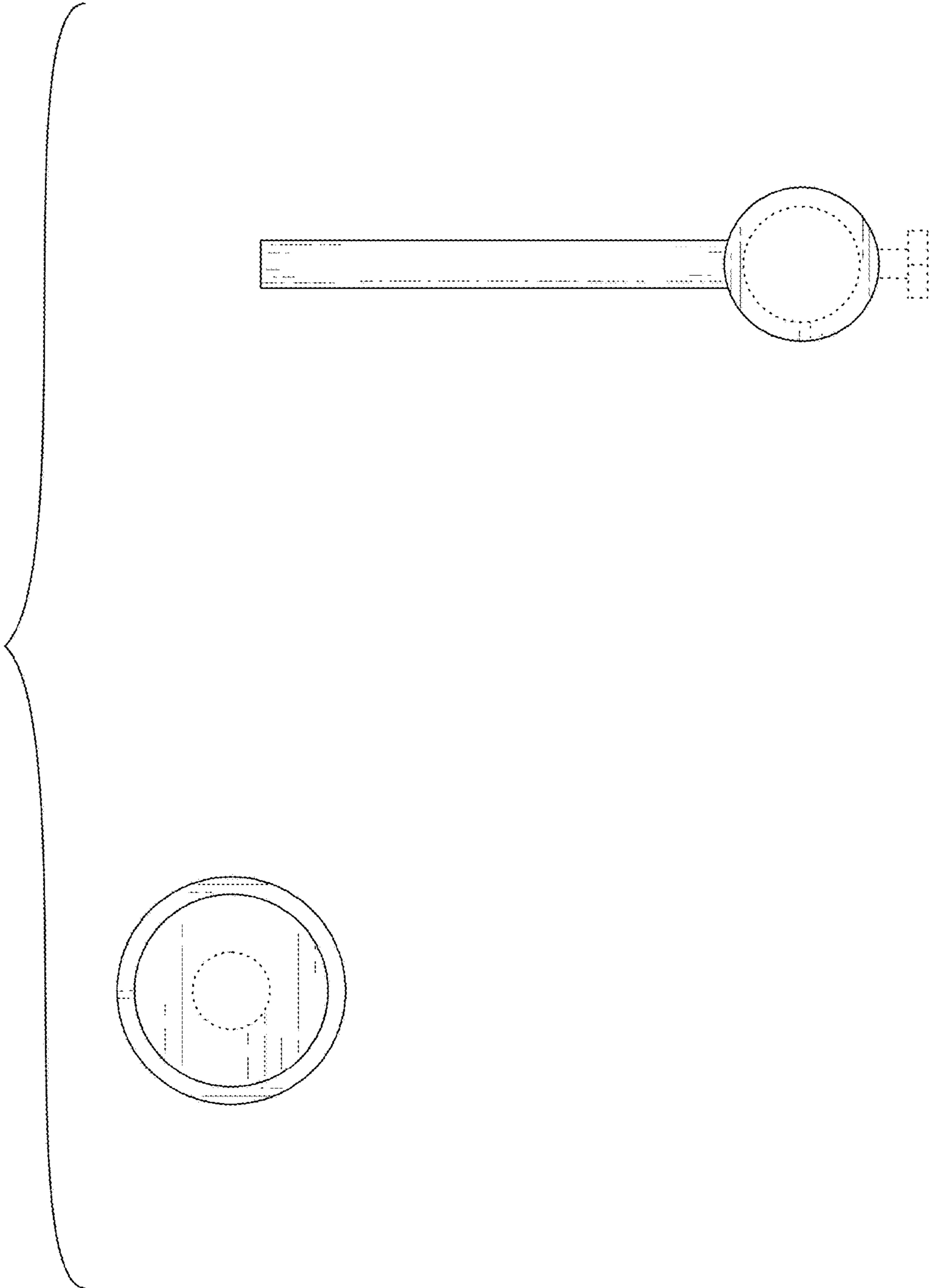


FIG. 8