



US00D852309S

(12) **United States Design Patent**
Al-Khateeb

(10) **Patent No.:** **US D852,309 S**
(45) **Date of Patent:** **** Jun. 25, 2019**

- (54) **PISTOL STABILIZING FIN**
- (71) Applicant: **Ghost Firearms LLC**, Daytona Beach, FL (US)
- (72) Inventor: **Nader Al-Khateeb**, Ormond Beach, FL (US)
- (73) Assignee: **GHOST FIREARMS LLC**, Daytona Beach, FL (US)

(**) Term: **15 Years**

(21) Appl. No.: **29/648,501**

(22) Filed: **May 22, 2018**

(51) **LOC (11) Cl.** **22-01**

(52) **U.S. Cl.**
USPC **D22/108; D22/111**

(58) **Field of Classification Search**
USPC D22/100, 101, 102, 103, 104, 105, 106, D22/107, 108, 109, 110, 111, 199; D21/571, 573, 574, 575, 746
CPC F41C 23/14; F41C 23/20; F41C 23/04; F41C 23/00; F41C 23/10; F41C 27/00; F41C 7/00; F41C 23/06; F41C 3/00; F41B 5/10; F41B 5/14; F41B 5/0094; F41B 5/1469; F41B 5/00
See application file for complete search history.

(56) **References Cited**

U.S. PATENT DOCUMENTS

D631,122 S *	1/2011	Domagtoy	D22/108
8,087,193 B2 *	1/2012	Kincel	F41C 23/04
				42/71.01
D706,896 S *	6/2014	Bosco	D22/108
8,904,692 B2 *	12/2014	Ballard	F41C 23/20
				42/74
8,984,791 B1 *	3/2015	Leslie	F41C 23/04
				42/71.01
D728,057 S *	4/2015	Daniel	D22/108

D728,724 S *	5/2015	Bosco	D22/108
D745,941 S *	12/2015	Bosco	D22/108
D762,805 S *	8/2016	Serbu	D22/108
D764,622 S *	8/2016	Bosco	D22/108
D769,396 S *	10/2016	Keller, II	D22/108
D771,765 S *	11/2016	Ewer	D22/108
D774,618 S *	12/2016	Bosco	D22/108
D780,279 S *	2/2017	Bosco	D22/108
D824,476 S *	7/2018	Bosco	D22/108
D832,387 S *	10/2018	Robinson	D22/108
10,156,421 B2 *	12/2018	Smith	F41C 23/04

(Continued)

OTHER PUBLICATIONS

“Gear Review: Shockwave Technologies Blade Pistol Stabilizer” [online]. Nick Leghorn. [Published on Oct. 9, 2015]. Retrieved from the Internet: <<https://www.thetruthaboutguns.com/2015/10/foghorn/gear-review-shockwave-technologies-blade-pistol-stabilizer/>>.*

(Continued)

Primary Examiner — Khawaja Anwar
Assistant Examiner — Mojtaba Tehrani
(74) *Attorney, Agent, or Firm* — Allen, Dyer, Doppelt + Gilchrist, PA

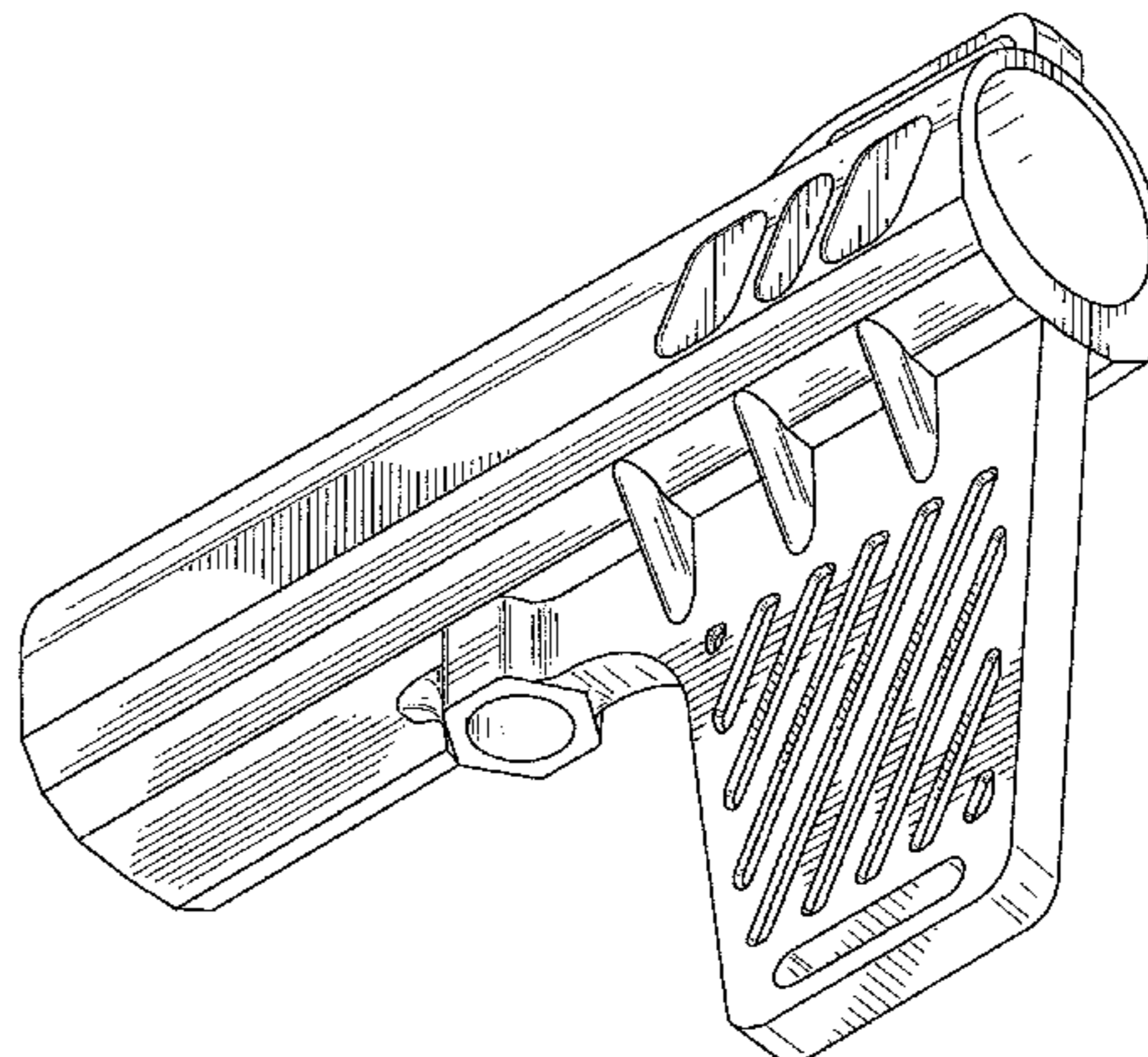
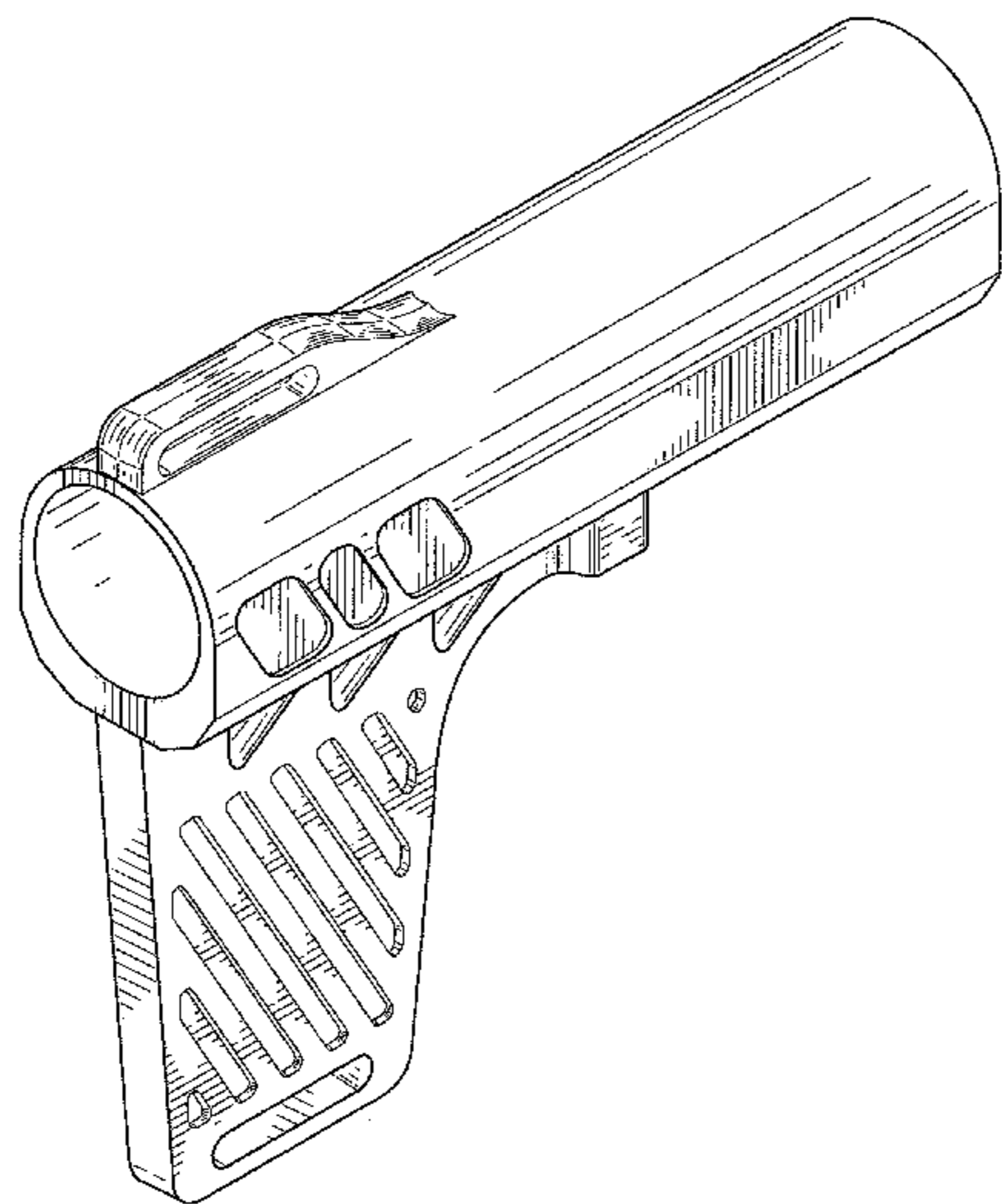
(57) **CLAIM**

The ornamental design for a pistol stabilizing fin, as shown.

DESCRIPTION

FIG. 1 is a top perspective view of a pistol stabilizing fin, showing my new design;
FIG. 2 is a bottom perspective view thereof;
FIG. 3 is a left side elevation view thereof;
FIG. 4 is a right side elevation view thereof;
FIG. 5 is a front elevation view thereof;
FIG. 6 is a rear elevation view thereof;
FIG. 7 is a top plan view thereof; and,
FIG. 8 is a bottom plan view thereof.

1 Claim, 8 Drawing Sheets



(56)

References Cited

U.S. PATENT DOCUMENTS

2012/0174456 A1* 7/2012 DePierro F41C 23/20
42/71.01
2014/0144061 A1* 5/2014 Bosco F41C 33/001
42/94

OTHER PUBLICATIONS

“Strike Industries AR Pistol Stabilizer” [online]. Ray I. [Published on Nov. 26, 2018]. Retrieved from the Internet: <<https://www.thefirearmblog.com/blog/2018/11/26/strike-industries-ar-pistol-stabilizer/>>.*

* cited by examiner

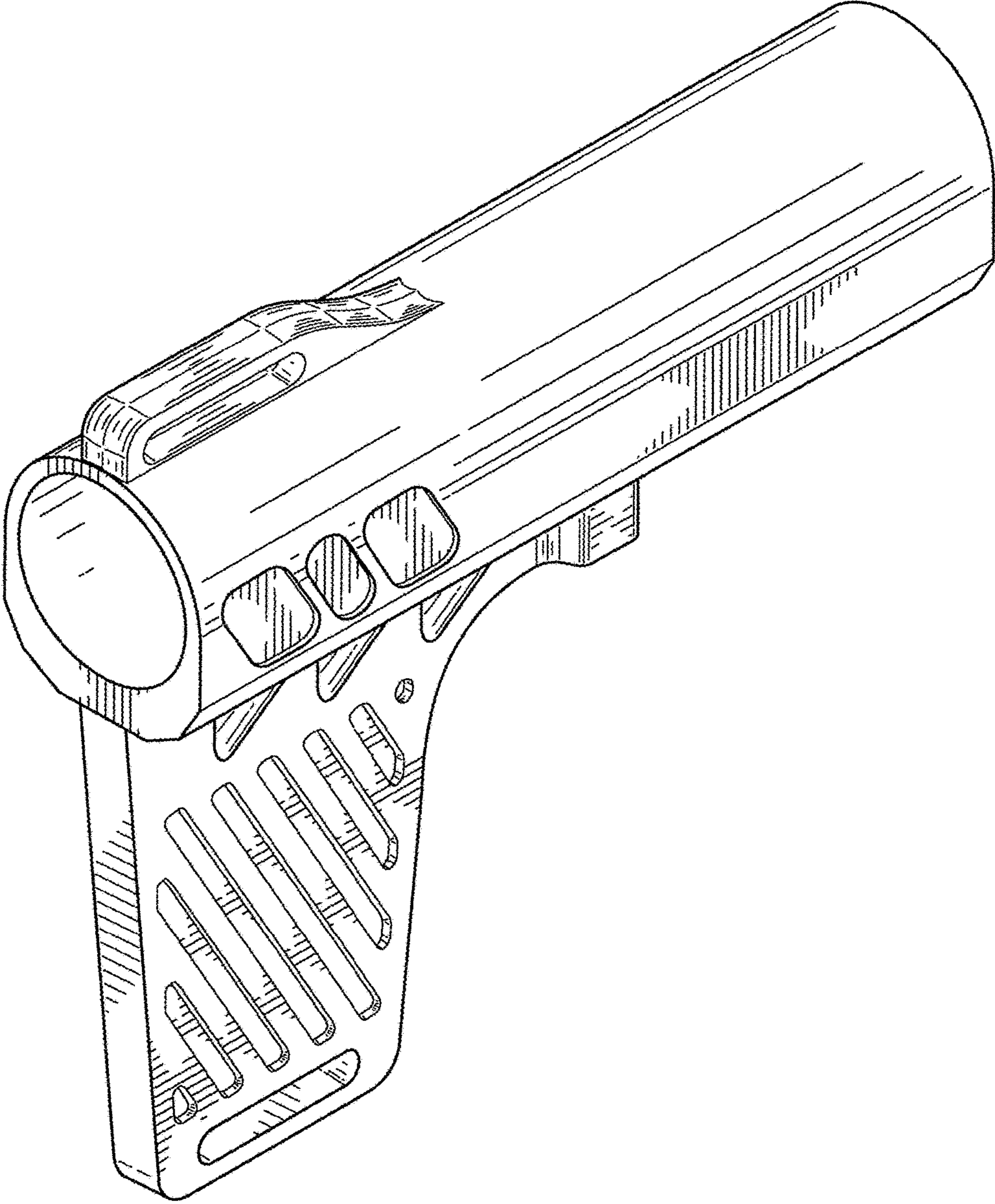


FIG. 1

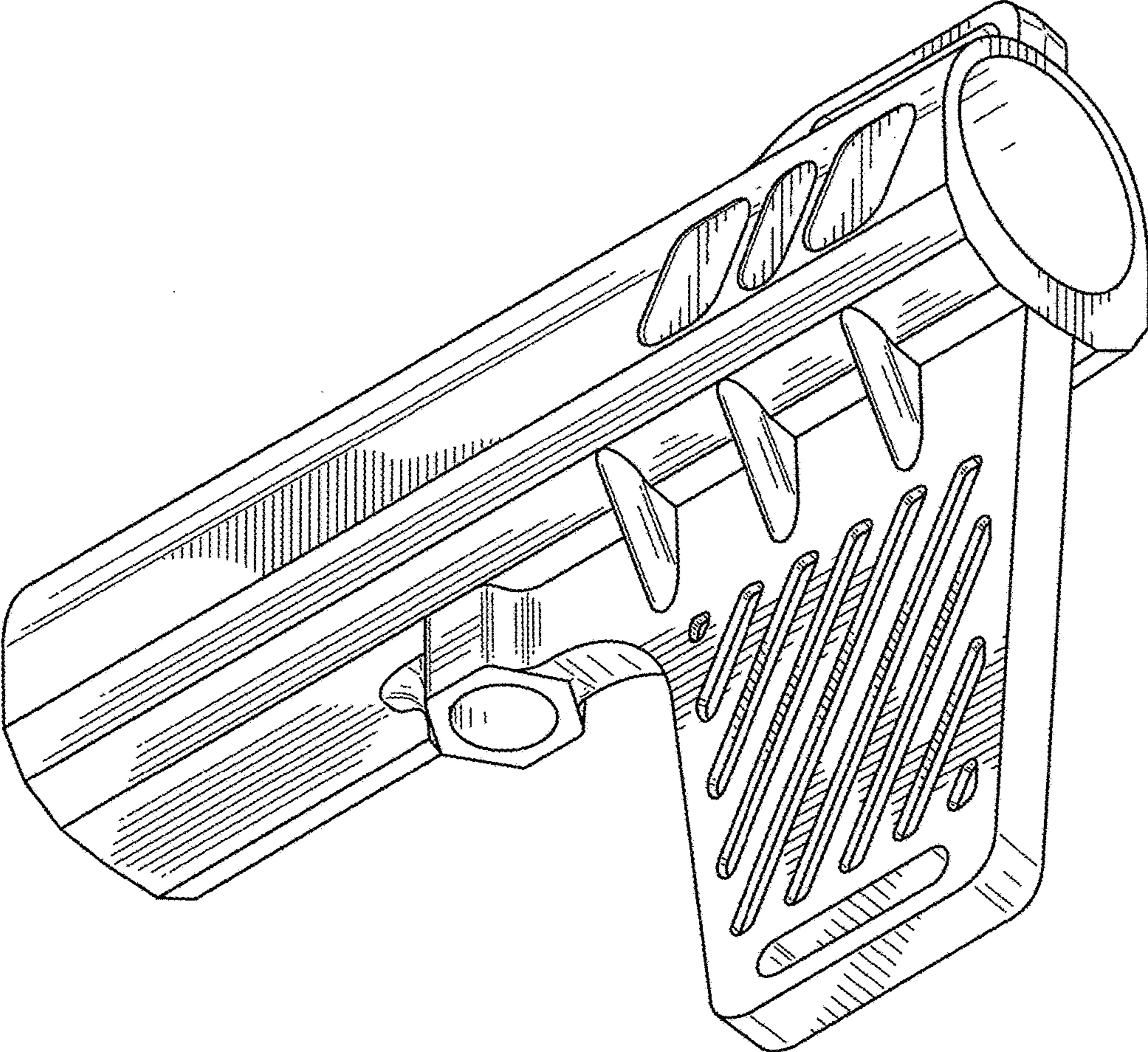


FIG. 2

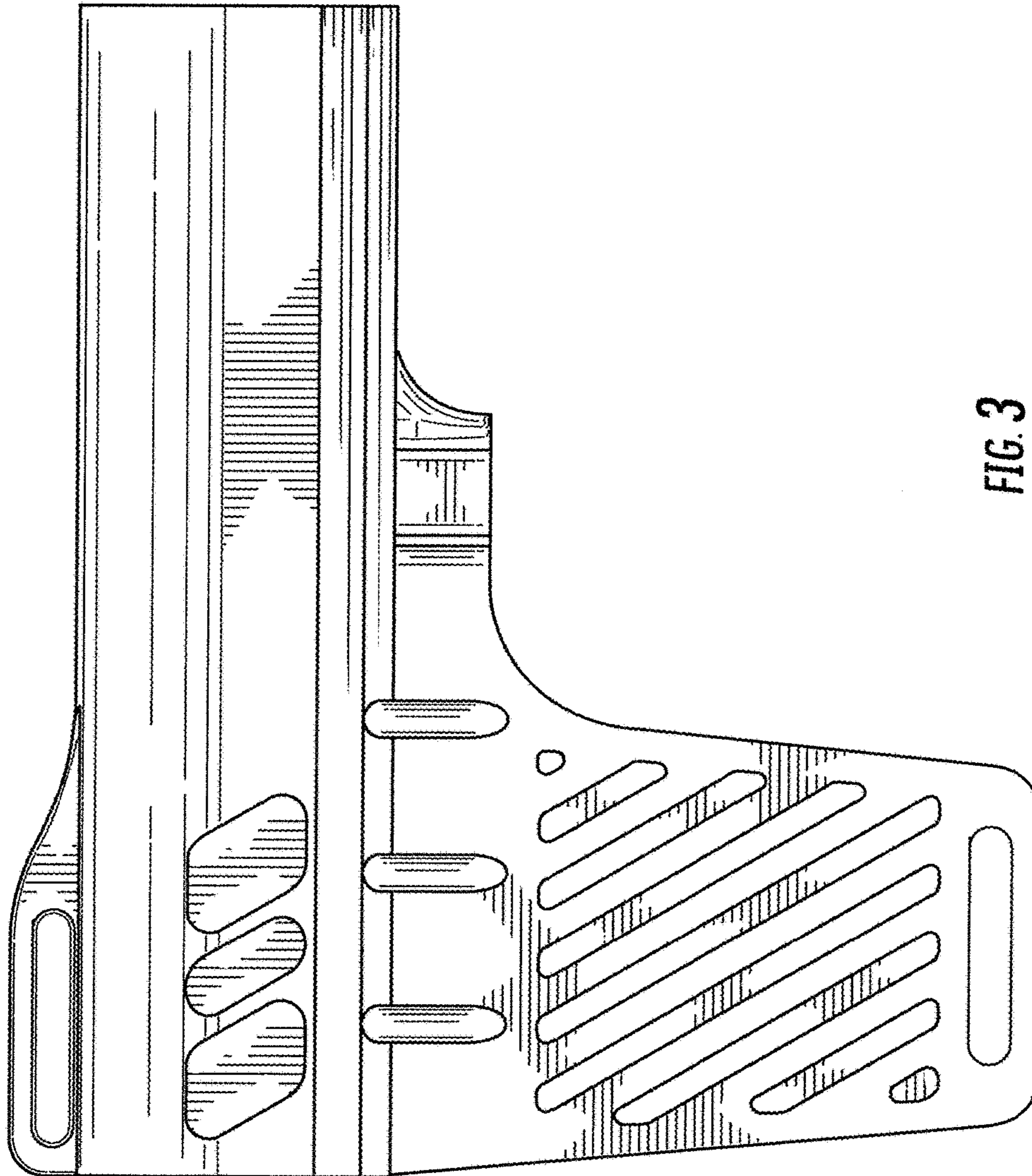


FIG. 3

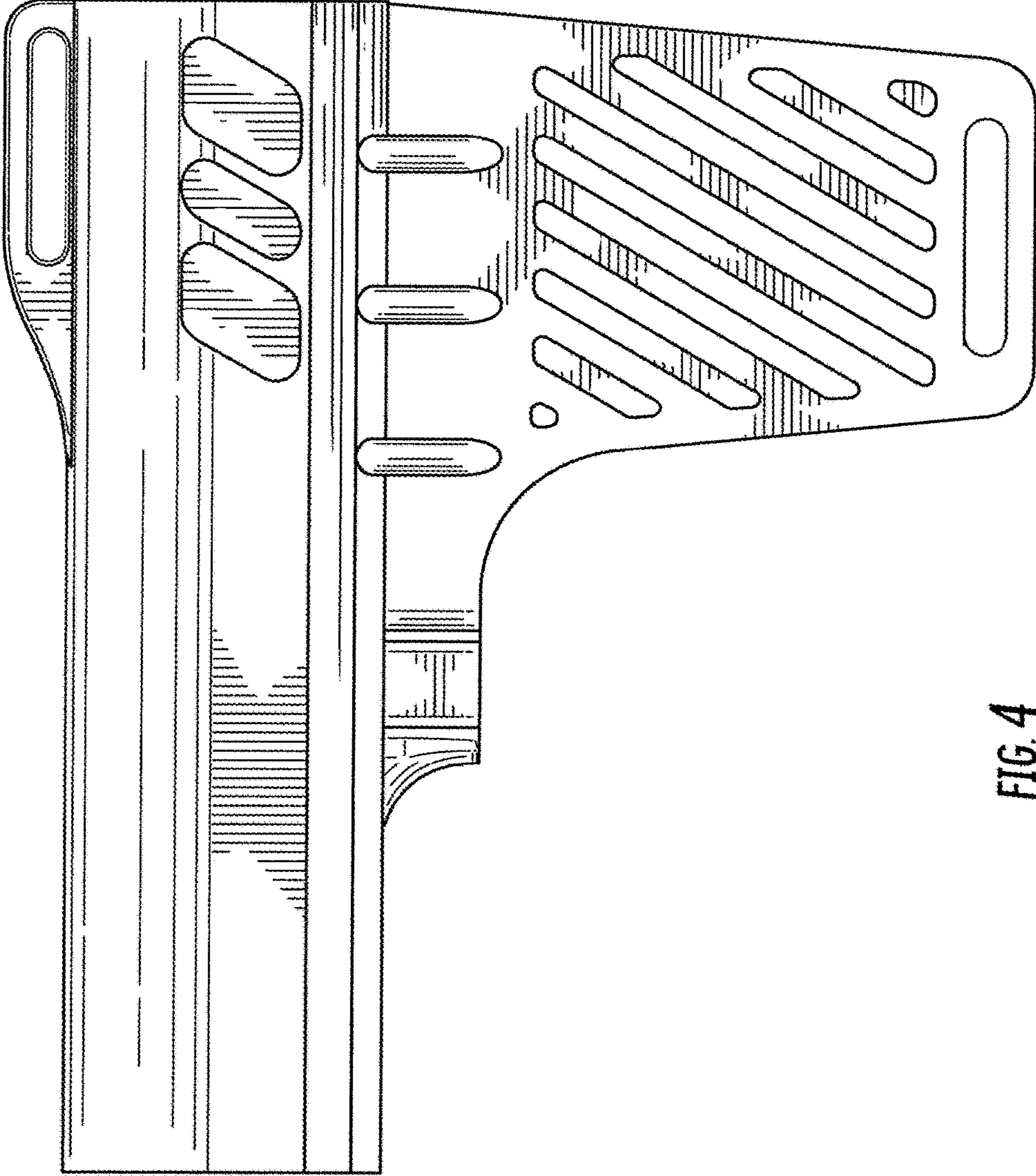


FIG. 4

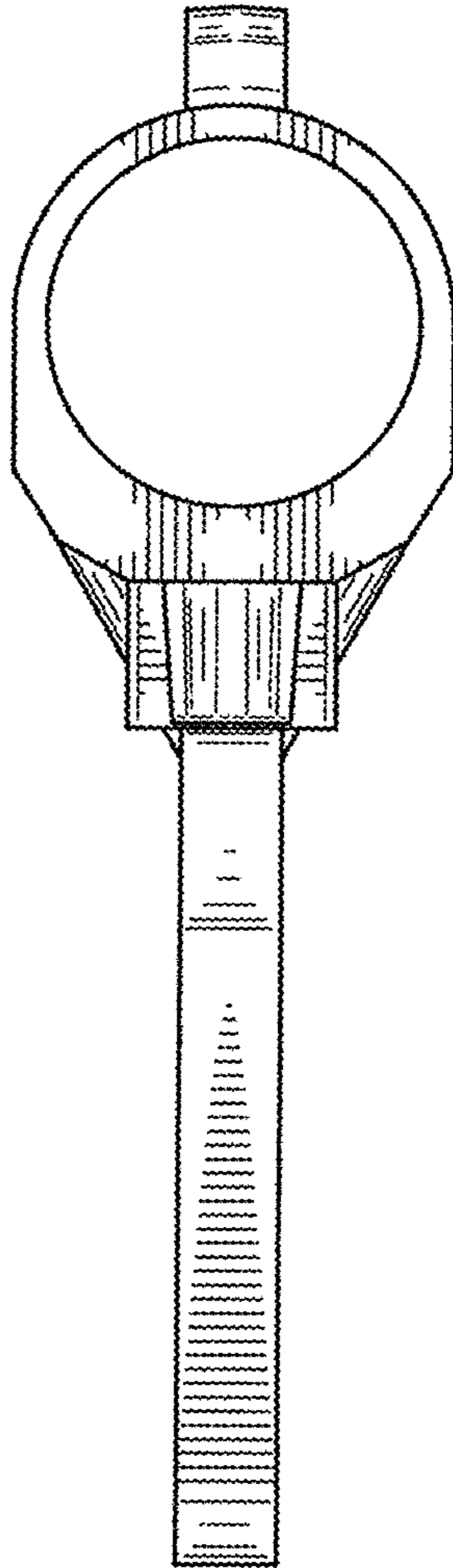


FIG. 5

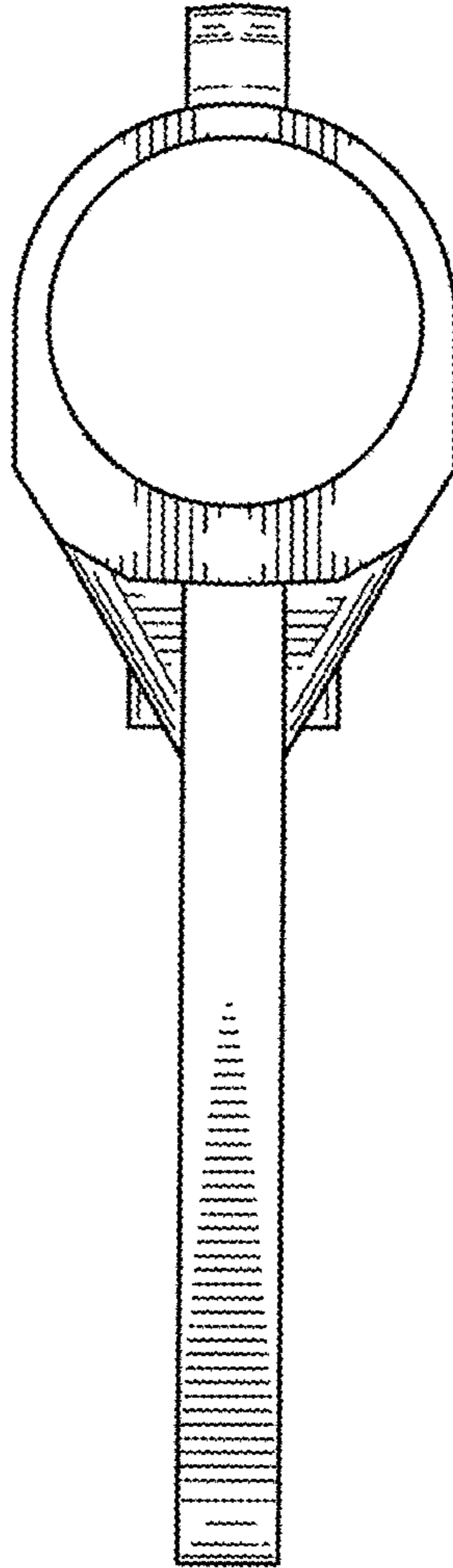


FIG. 6

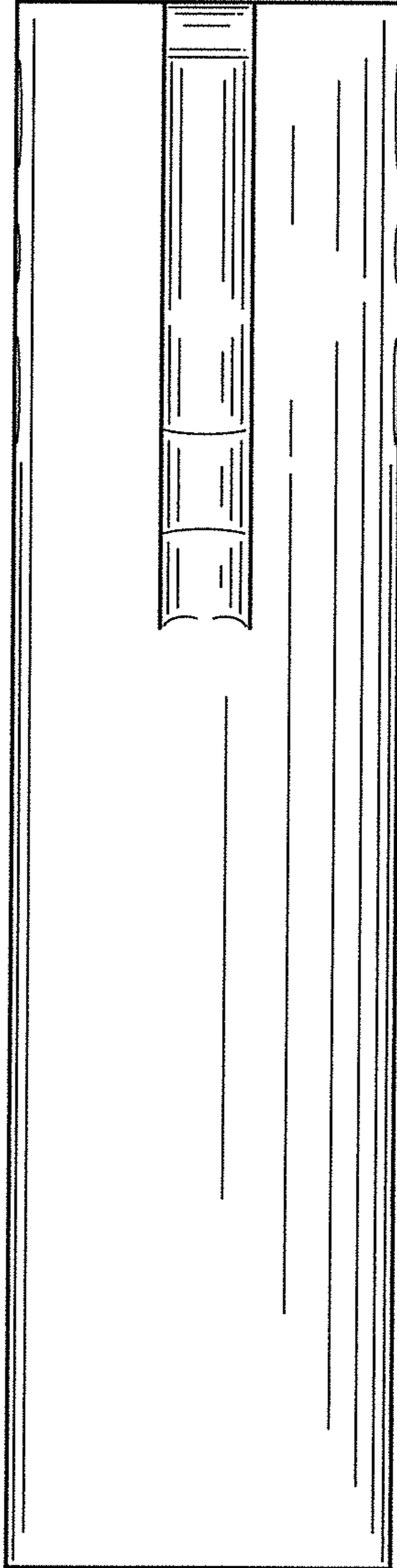


FIG. 7

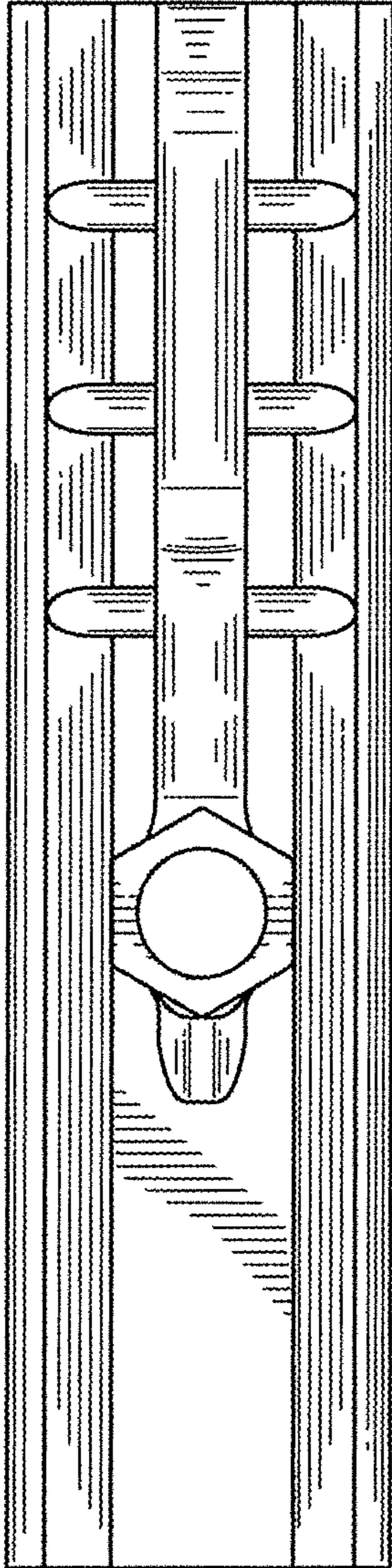


FIG. 8