



US00D852308S

(12) **United States Design Patent** (10) **Patent No.:** **US D852,308 S**
Ethridge et al. (45) **Date of Patent:** **** Jun. 25, 2019**

- (54) **GUN STABILIZER**
- (71) Applicants: **Edward Ethridge**, Cadiz, KY (US);
Mason Shelton, Cadiz, KY (US)
- (72) Inventors: **Edward Ethridge**, Cadiz, KY (US);
Mason Shelton, Cadiz, KY (US)
- (73) Assignee: **Beyond the Lakes Outdoors LLC**,
Cadiz, KY (US)

- D394,096 S * 5/1998 Edgar D22/108
- D492,977 S * 7/2004 Squillante D22/109
- D505,177 S * 5/2005 Fell D22/110
- D536,055 S * 1/2007 Frost D22/110
- D584,789 S * 1/2009 Swan D22/108
- D639,892 S * 6/2011 Hendricks D22/109
- D665,868 S * 8/2012 Storch D22/110
- D693,897 S * 11/2013 Javorsky D22/108
- D697,993 S * 1/2014 Satzinger D22/108
- D722,359 S * 2/2015 Hendricks D22/108

(Continued)

(**) Term: **15 Years**

OTHER PUBLICATIONS

(21) Appl. No.: **29/615,135**

<https://www.opticsplanet.com/nordic-components-shotgun-barrel-clamp-with-tac-rail-12ga.html>—Retrieved on Jul. 19, 2018.*

(22) Filed: **Aug. 25, 2017**

(Continued)

(51) **LOC (11) Cl.** **22-01**

(52) **U.S. Cl.**

USPC **D22/108**

(58) **Field of Classification Search**

USPC D22/100, 101, 103, 106, 108, 109, 110,
D22/111, 117, 199; D21/300, 301, 570,
D21/573, 574, 575

CPC F41B 5/14; F41B 5/00; F41C 27/00; F41C
23/14; F41C 23/06; F41C 3/00; F41C
7/00; F41C 23/20; F41C 23/08; F41C
23/10; F41G 11/003; F41G 1/18; F41G
1/38; F41G 1/545

See application file for complete search history.

Primary Examiner — Khawaja Anwar

Assistant Examiner — Mojtaba Tehrani

(74) *Attorney, Agent, or Firm* — Julie Tennyson; Marcum
Tennyson PLLC

(57)

CLAIM

We claim the ornamental design for a gun stabilizer, as shown and described.

DESCRIPTION

FIG. 1 is a front view of a gun stabilizer, showing our new design;

FIG. 2 is a top plan view thereof, the broken lines in the drawings form no part of the claimed design;

FIG. 3 is a bottom plan view thereof, the broken lines in the drawings form no part of the claimed design;

FIG. 4 is a right side view thereof;

FIG. 5 is a back view thereof; and

FIG. 6 is a left side view thereof; and,

FIG. 7 is a perspective view thereof.

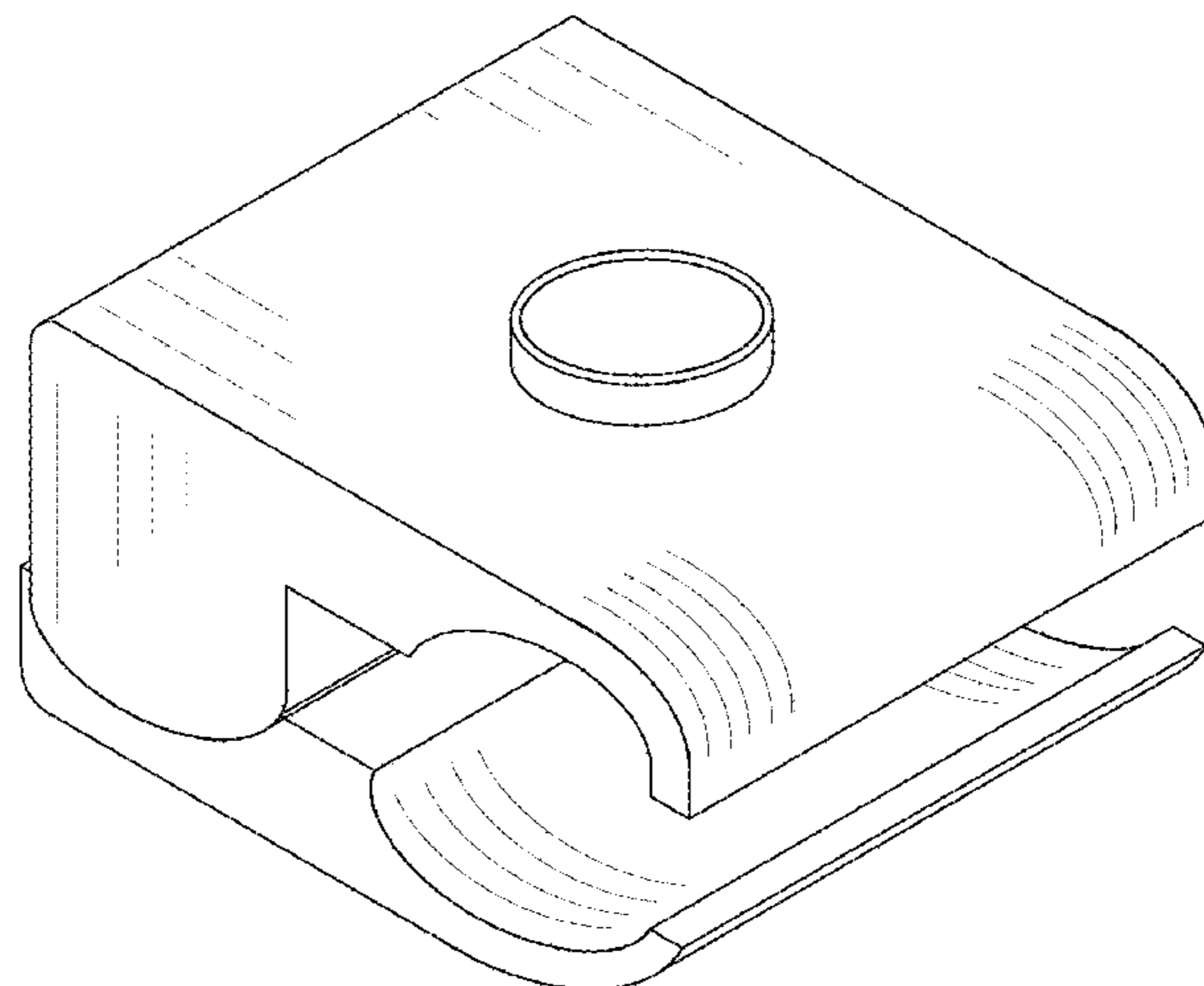
The broken lines in the drawings form no part of the claimed design.

(56) **References Cited**

U.S. PATENT DOCUMENTS

- D196,142 S * 8/1963 Storm et al. D8/394
- D253,457 S * 11/1979 Sandel D8/395
- D267,625 S * 1/1983 Dark D8/72
- D281,894 S * 12/1985 Bechtel D22/108
- D289,852 S * 5/1987 Tuvevsson D8/373
- 4,903,425 A 2/1990 Harris
- D309,255 S * 7/1990 Karow, Jr. D22/110
- 5,074,188 A 12/1991 Harris
- 5,666,702 A * 9/1997 Ming-Chieh B42F 1/006
24/338

1 Claim, 7 Drawing Sheets



(56)

References Cited

U.S. PATENT DOCUMENTS

D747,780 S * 1/2016 Swan D22/110
D753,990 S * 4/2016 Swan D22/108
2011/0214329 A1 9/2011 Green
2016/0202022 A1* 7/2016 Gao F41G 11/004
42/90

OTHER PUBLICATIONS

<https://www.opticsplanet.com/mesa-tactical-barrel-clamp-w-rail.html>—Retrieved on Jul. 19, 2018.*

<https://www.galatiinternational.com/barrel-mounted-shotgun-rail-adapter-mount-command-arms.html>—Retrieved on Jul. 19, 2018.*

Harris bipods, publicly available online before the filing date.

* cited by examiner

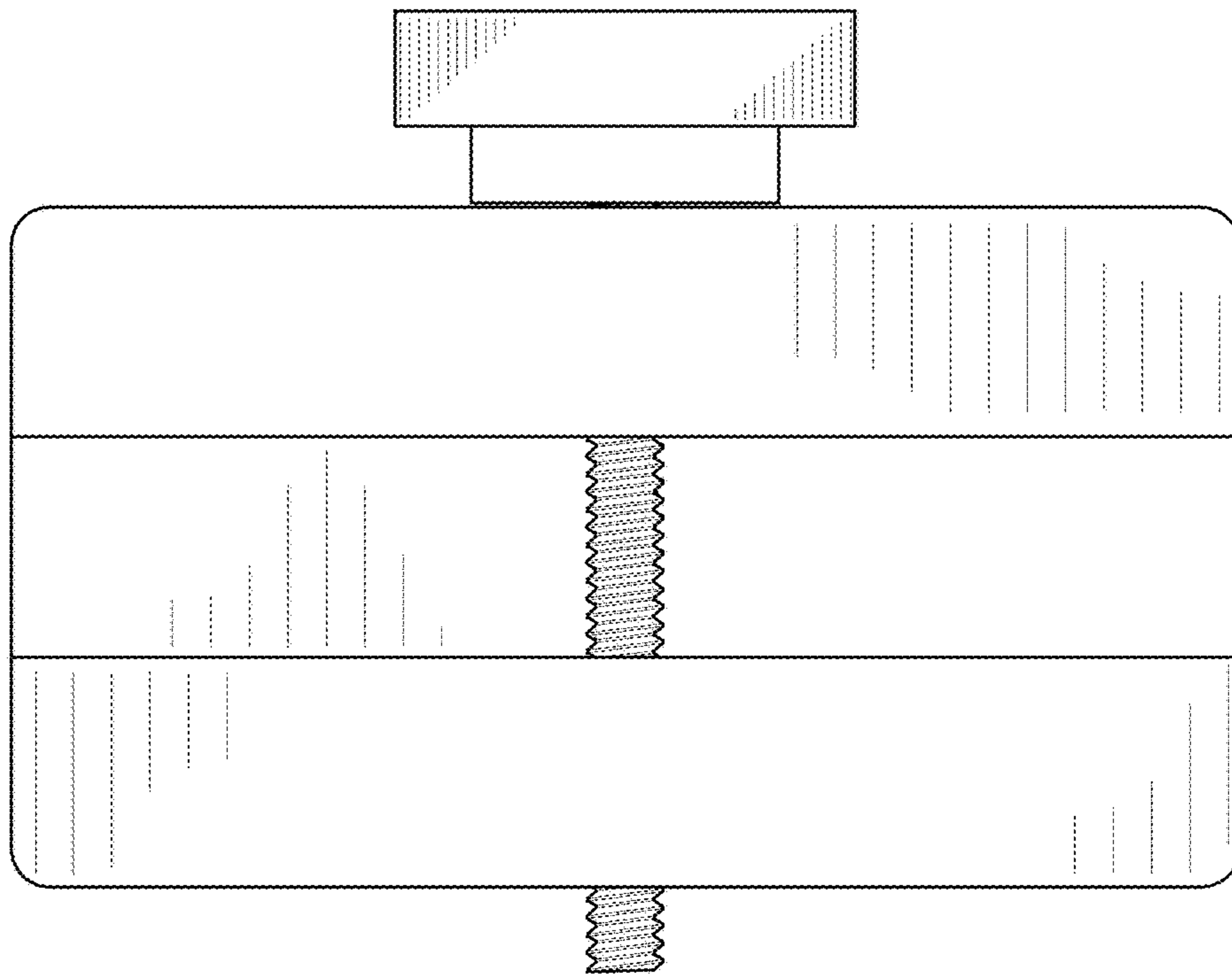


Figure 1

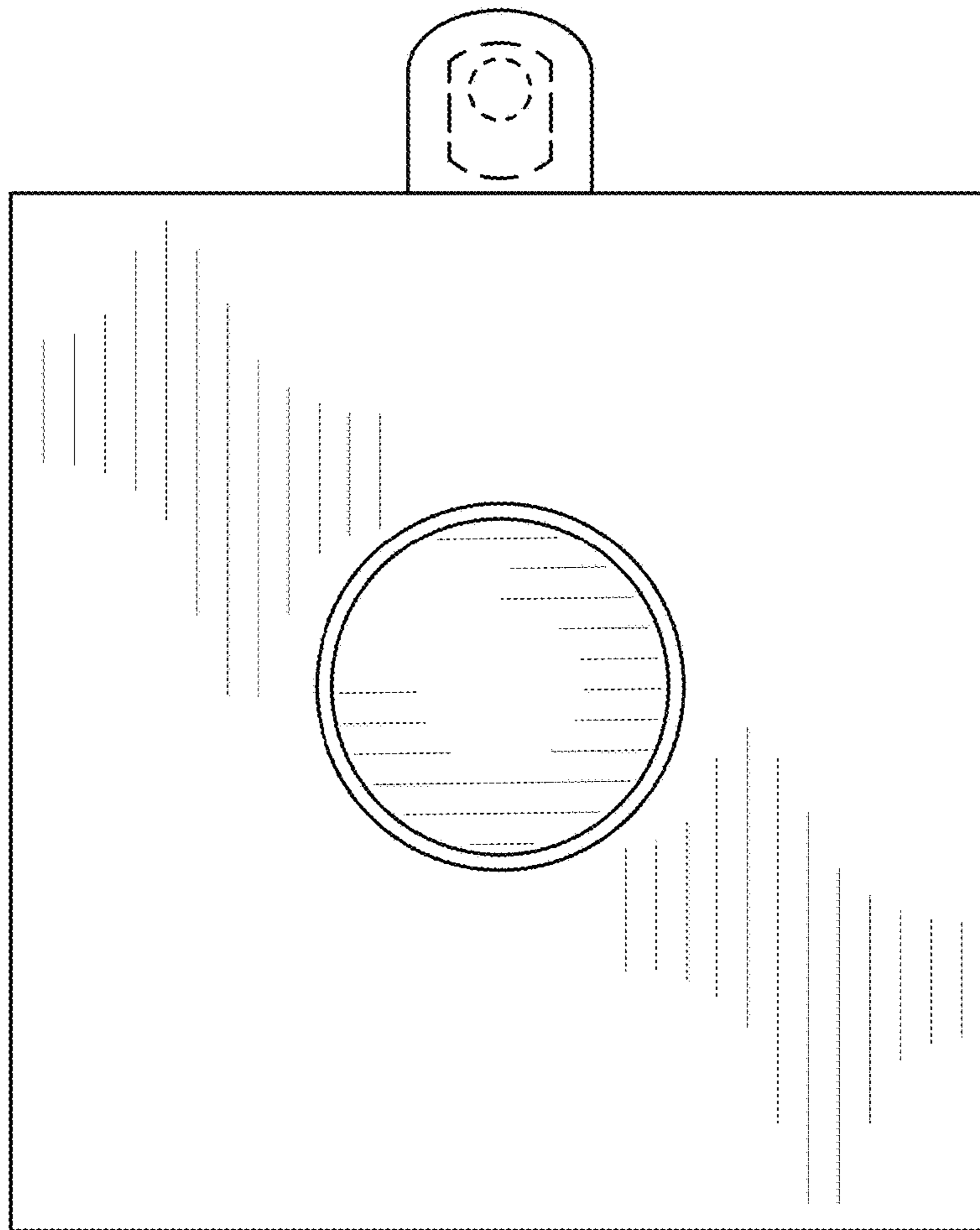


Figure 2

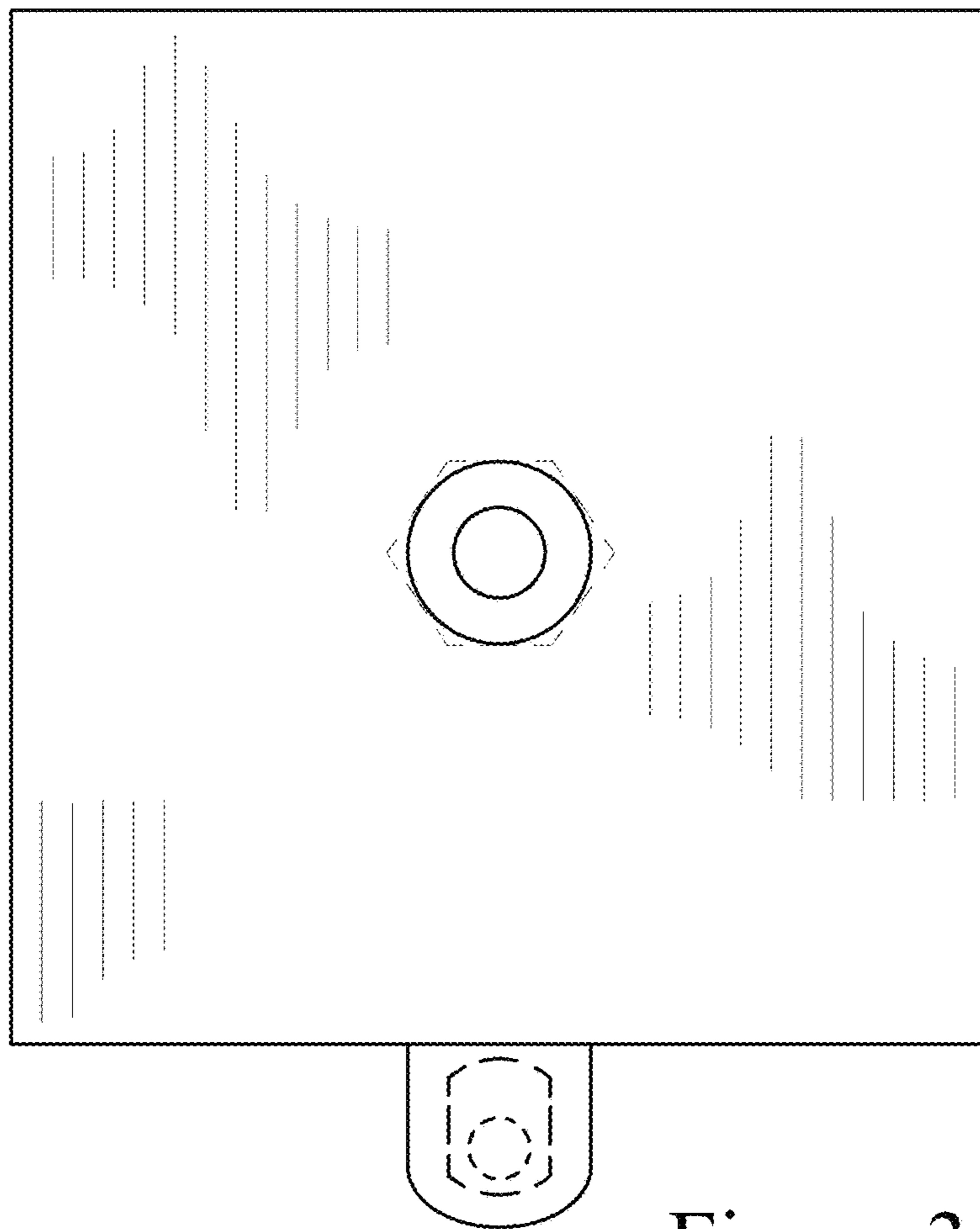


Figure 3

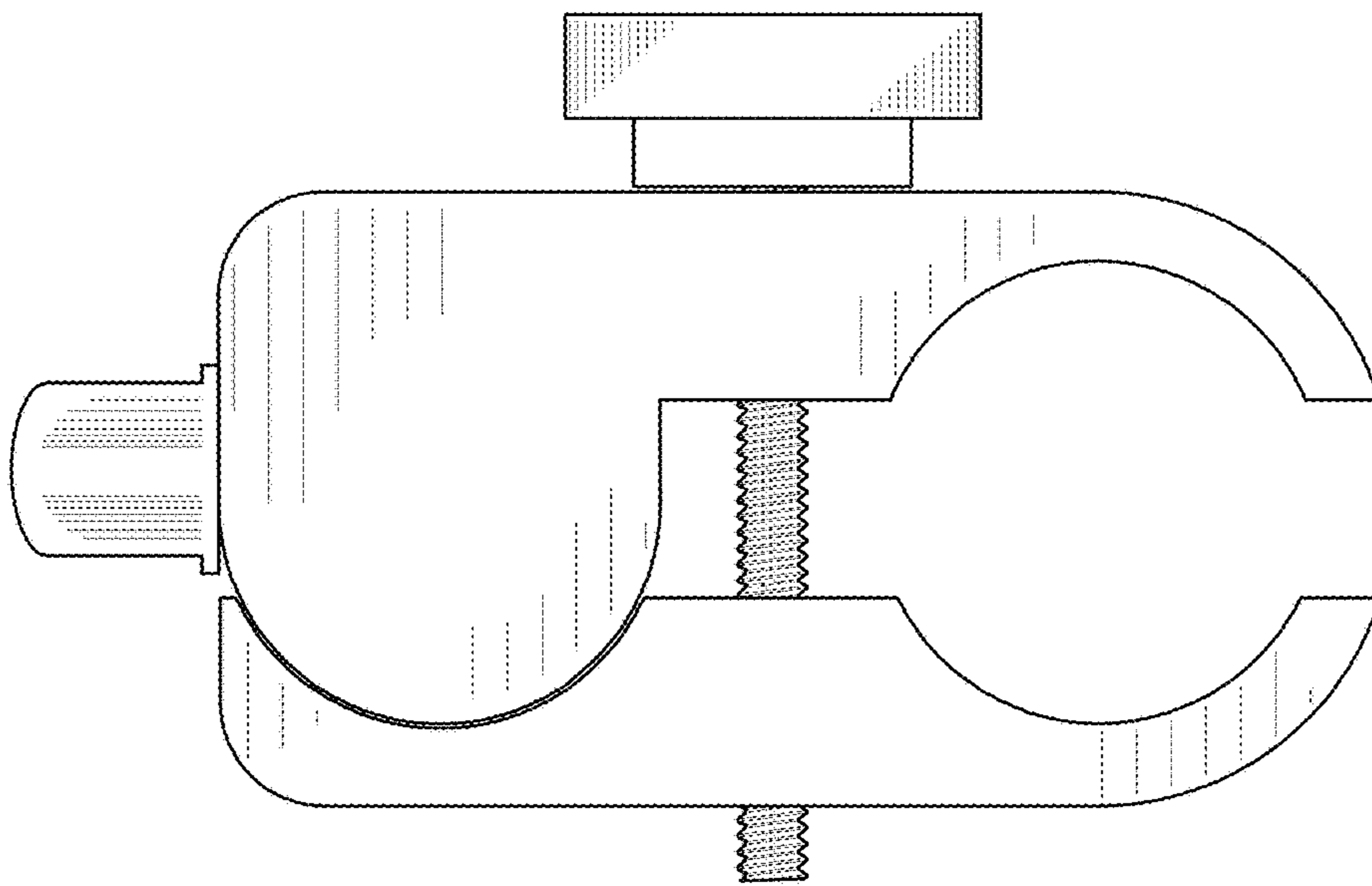


Figure 4

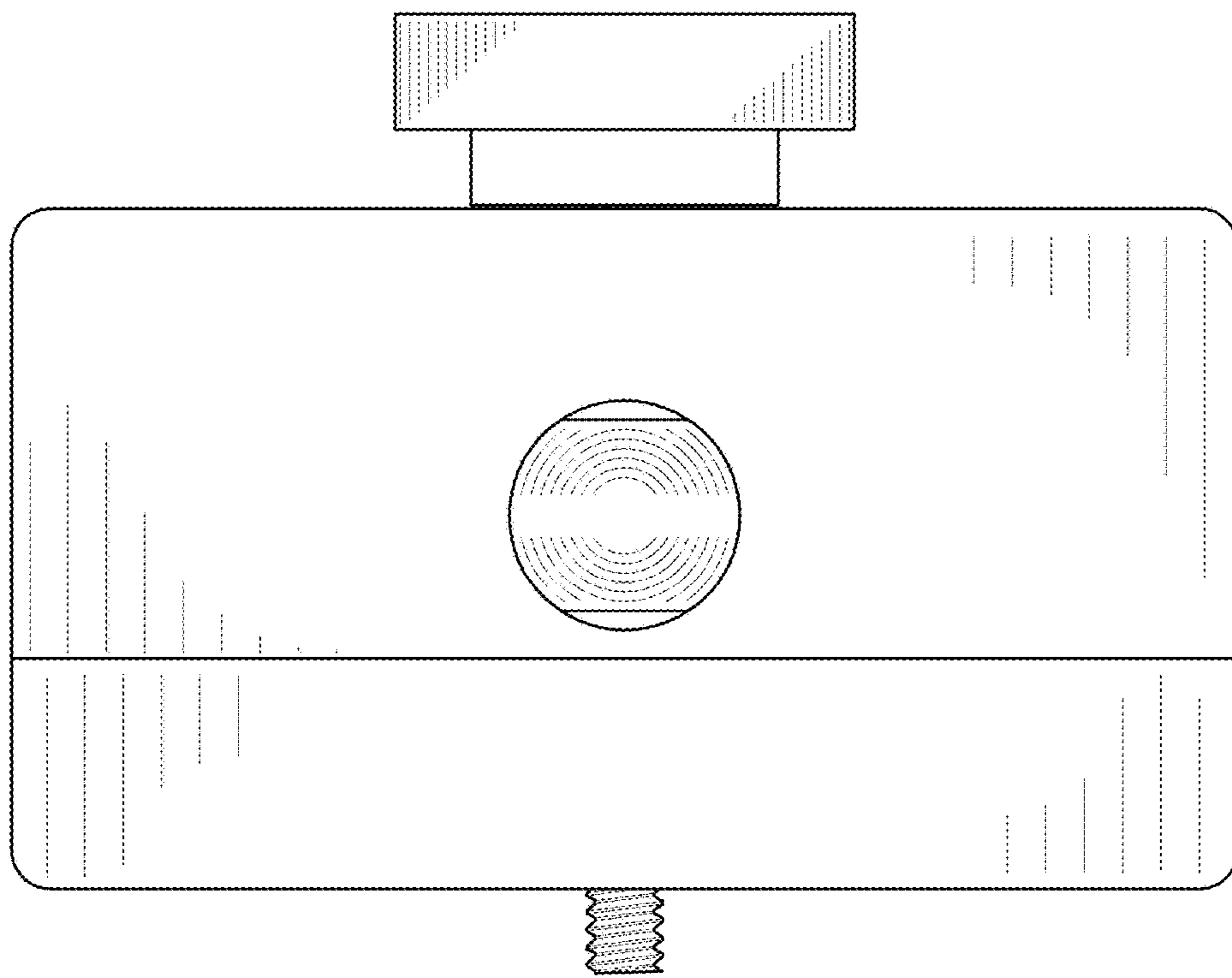


Figure 5

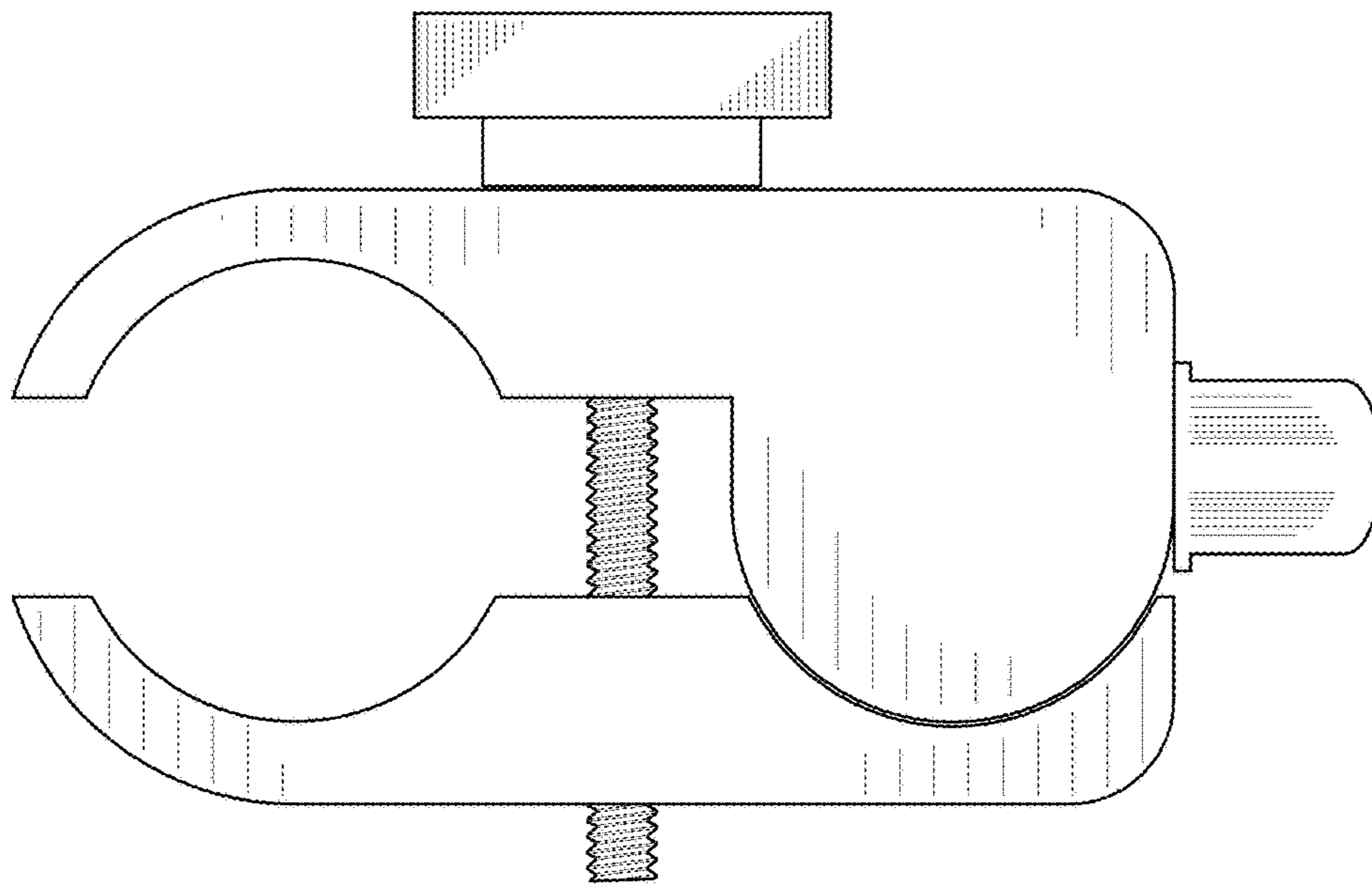


Figure 6

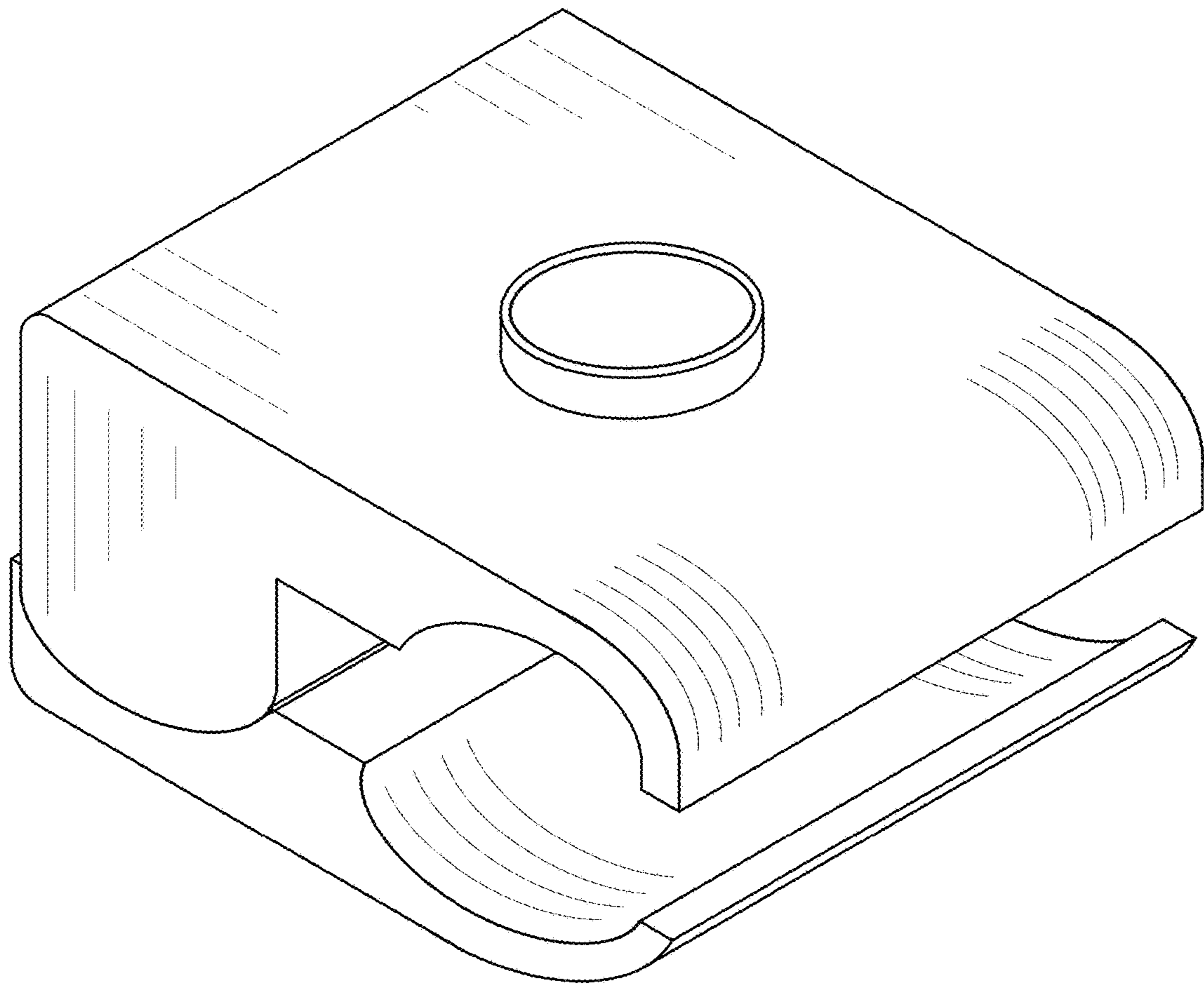


Figure 7