



US00D852307S

(12) **United States Design Patent**
Wu

(10) **Patent No.:** **US D852,307 S**

(45) **Date of Patent:** **** Jun. 25, 2019**

- (54) **SWIM FIN**
- (71) Applicant: **Aihong Wu**, Guangdong (CN)
- (72) Inventor: **Aihong Wu**, Guangdong (CN)
- (**) Term: **15 Years**
- (21) Appl. No.: **29/619,439**
- (22) Filed: **Sep. 29, 2017**
- (51) **LOC (11) Cl.** **21-02**
- (52) **U.S. Cl.**
USPC **D21/806**
- (58) **Field of Classification Search**
USPC D21/698, 760, 771, 778, 791, 801, 803,
D21/804, 806, 807, 808; 441/55, 56, 58,
441/60, 61, 64; D2/731, 732
CPC ... A63B 31/11; A63B 31/10; A63B 2031/112;
A63B 2031/115; A63B 31/08; A63B
35/02; A63B 69/12; B63H 1/30; B63H
16/04
See application file for complete search history.

- D490,136 S * 5/2004 Godoy D21/806
- 6,926,569 B1 * 8/2005 Hsieh A63B 31/08
441/64
- D534,983 S * 1/2007 Testa D21/806
- D561,862 S * 2/2008 Moyal D21/804
- D561,863 S * 2/2008 Moyal D21/804
- D685,050 S * 6/2013 O'Doherty D21/806
- D685,444 S * 7/2013 Lin D21/806
- D704,292 S * 5/2014 Garraffa D21/806
- D796,615 S * 9/2017 Mix D21/806
- D822,138 S * 7/2018 Hu D21/806
- 2017/0368414 A1 * 12/2017 Barone A63B 31/11
- 2018/0169477 A1 * 6/2018 Shieh A63B 31/11

FOREIGN PATENT DOCUMENTS

EM 004377430-0001 * 9/2017

* cited by examiner

Primary Examiner — Cathron C Brooks

Assistant Examiner — Katrina N Gonzalez

(57) **CLAIM**

The ornamental design for the swim fin, as shown.

DESCRIPTION

FIG. 1 is a front elevational view of the swim fin showing my new design;

FIG. 2 is a rear elevational view thereof;

FIG. 3 is a top plan view thereof;

FIG. 4 is a bottom plan view thereof;

FIG. 5 is a perspective view thereof;

FIG. 6 is a second perspective view thereof;

FIG. 7 is a third perspective view thereof; and,

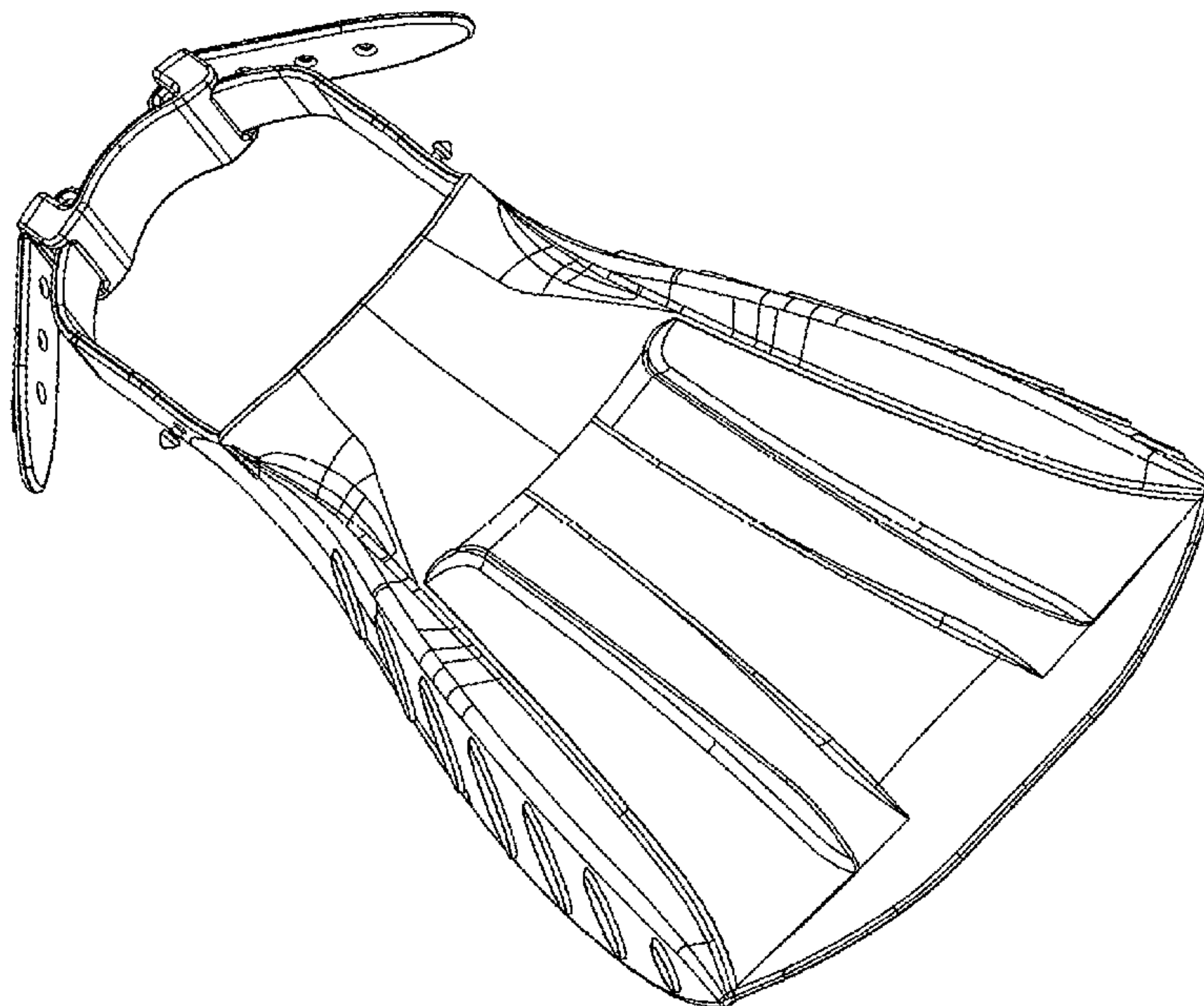
FIG. 8 is a fourth perspective view thereof.

1 Claim, 8 Drawing Sheets

(56) **References Cited**

U.S. PATENT DOCUMENTS

- 2,779,077 A * 1/1957 Kline A63B 31/11
24/191
- D203,364 S * 12/1965 Brunner D21/806
- D219,560 S * 12/1970 Chesney D21/806
- D266,265 S * 9/1982 Bowden D21/806
- 4,752,259 A * 6/1988 Tackett A63B 31/11
441/64
- 4,778,423 A * 10/1988 Ciccotelli A63B 31/11
441/64
- D313,640 S * 1/1991 Fujiwara D21/806



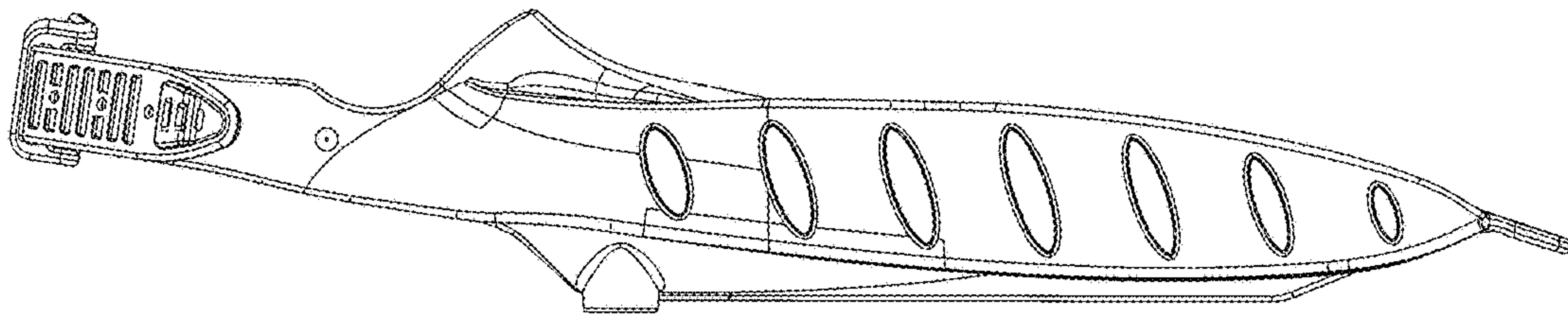


Fig. 1

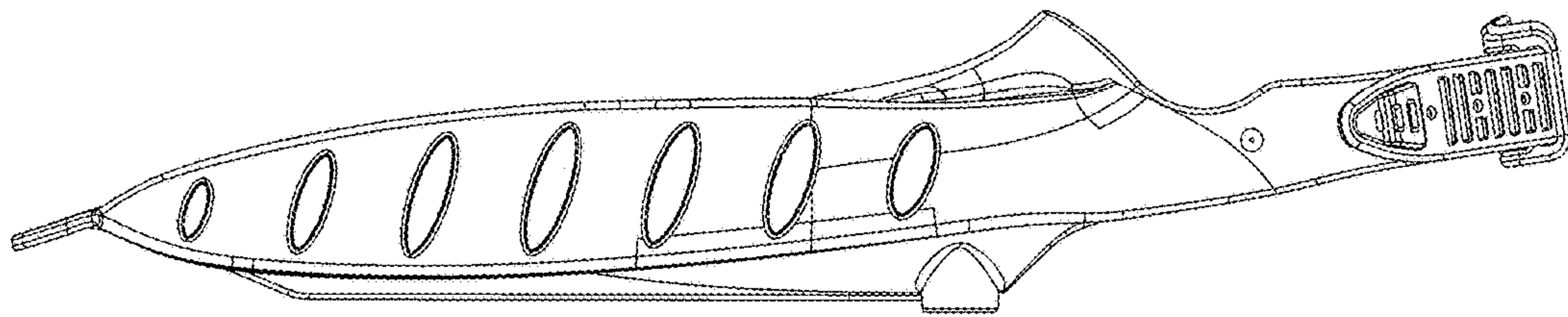


Fig. 2

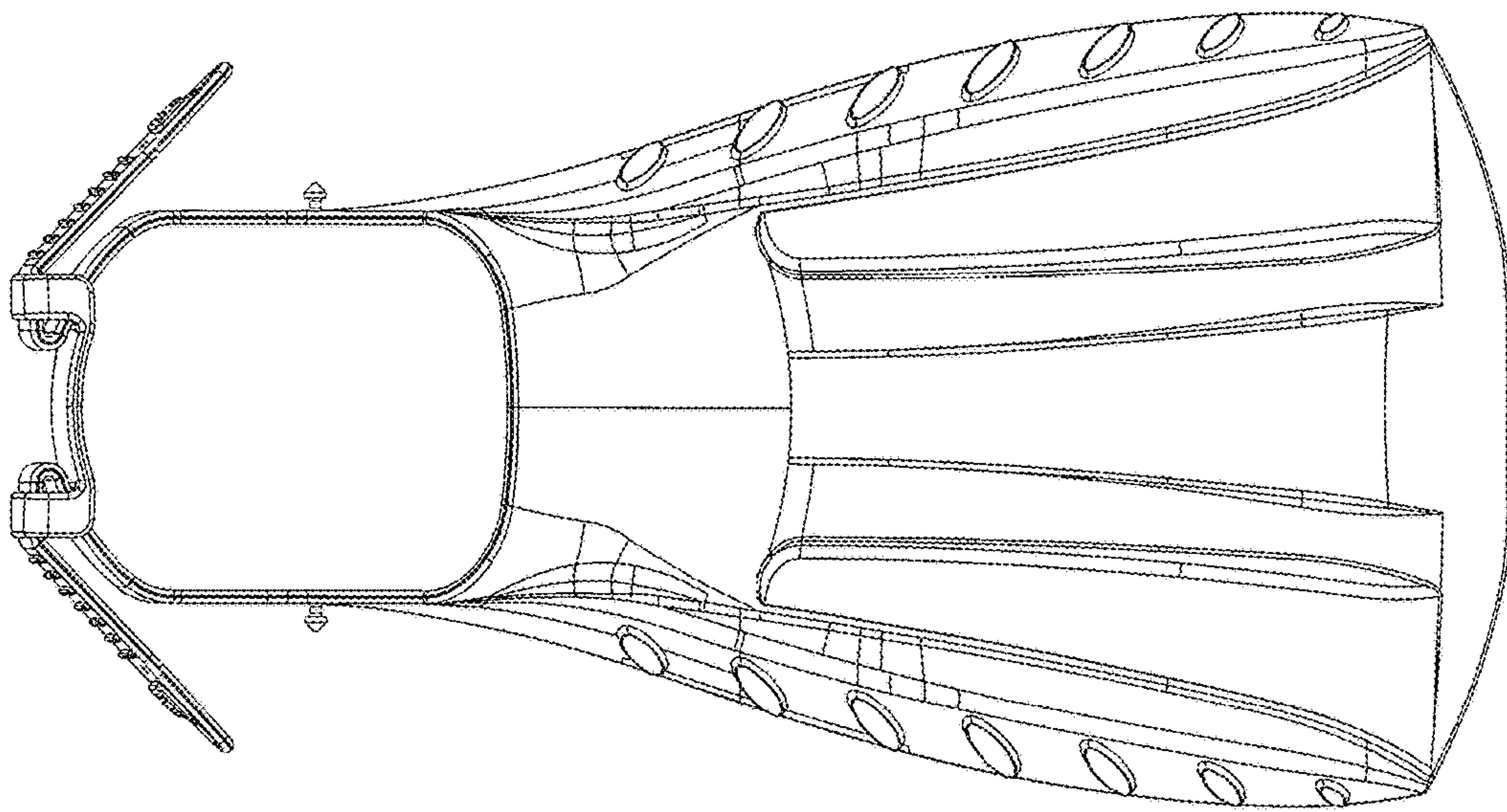


Fig. 3

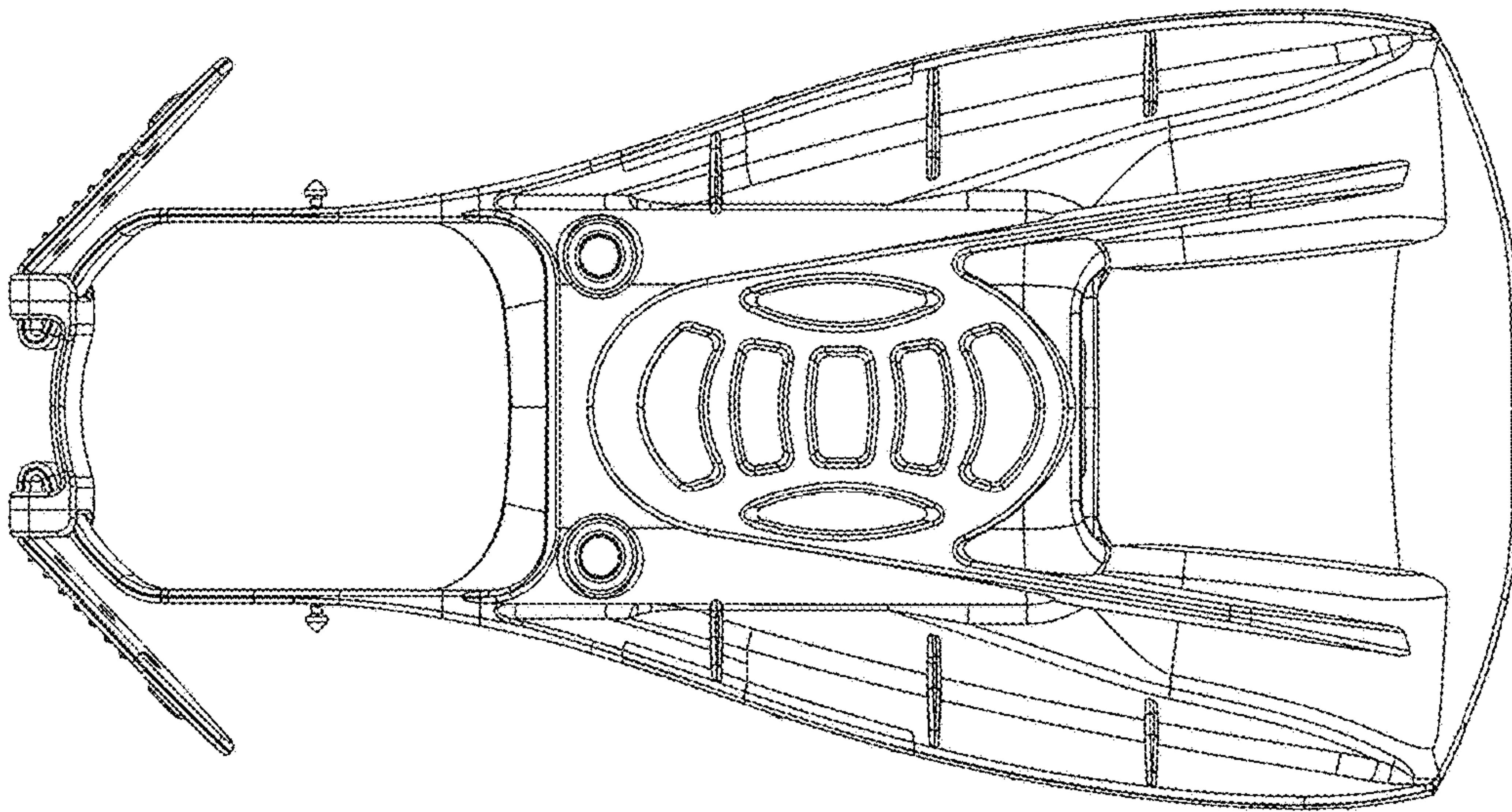


Fig. 4

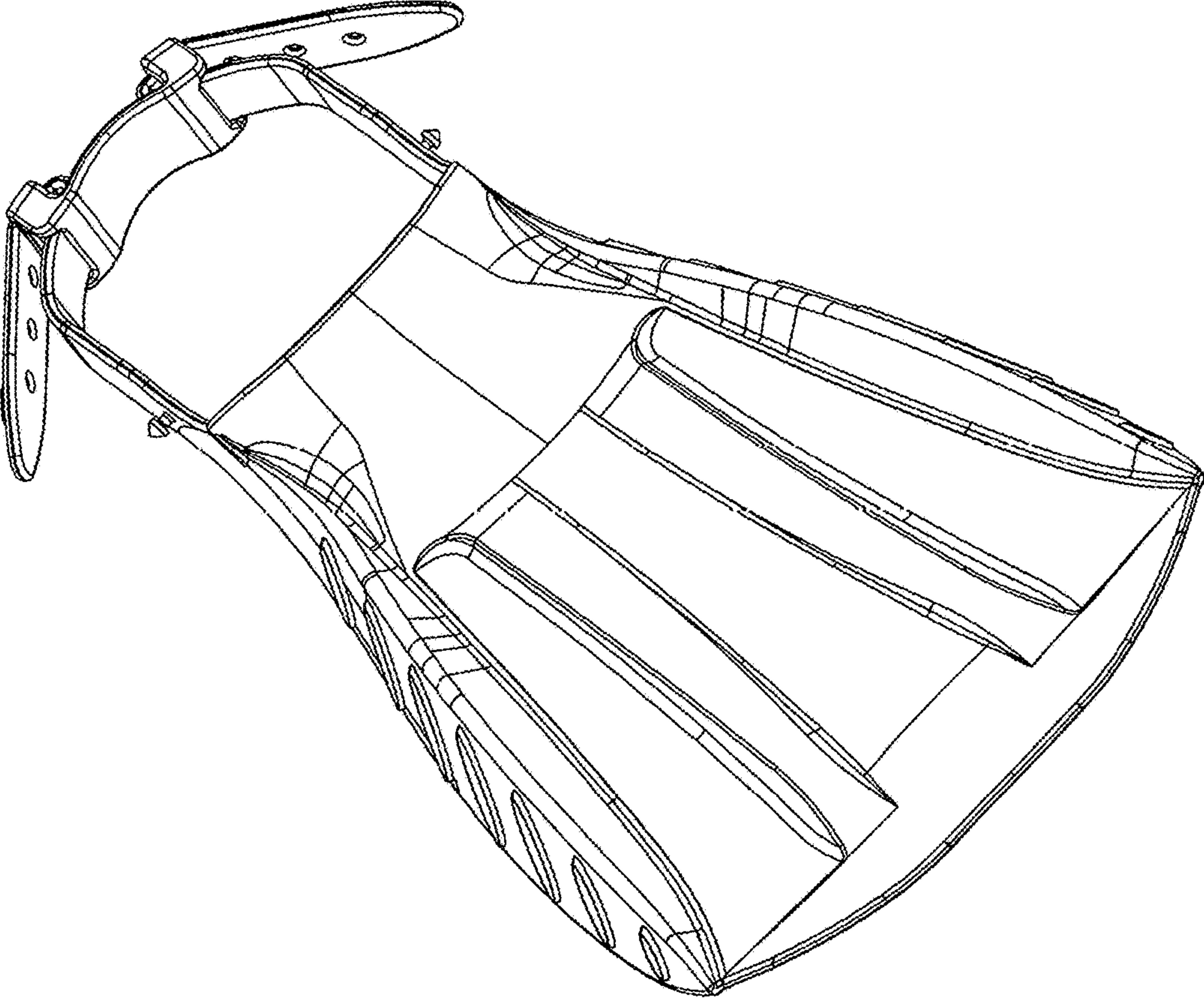


Fig. 5

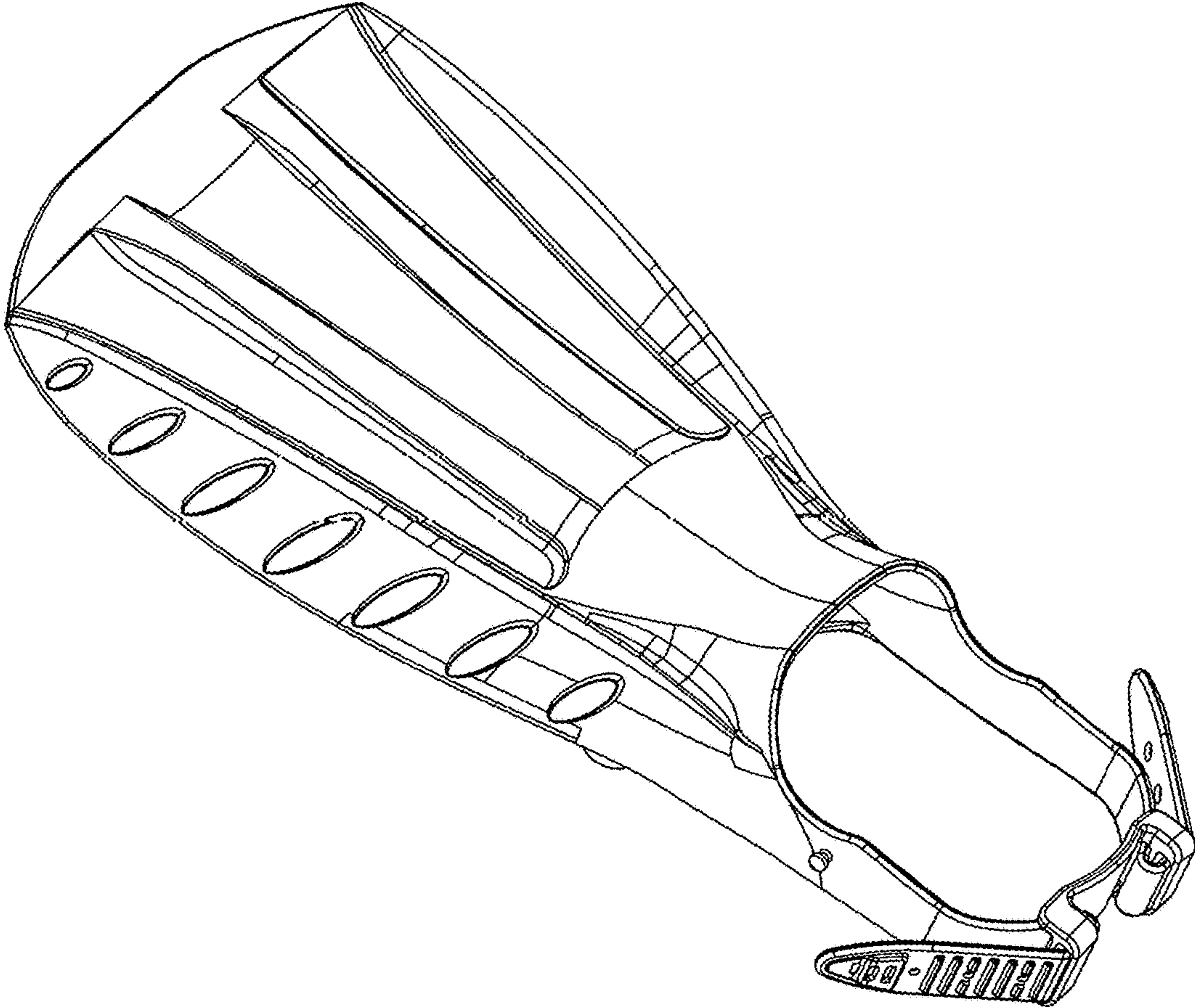


Fig. 6

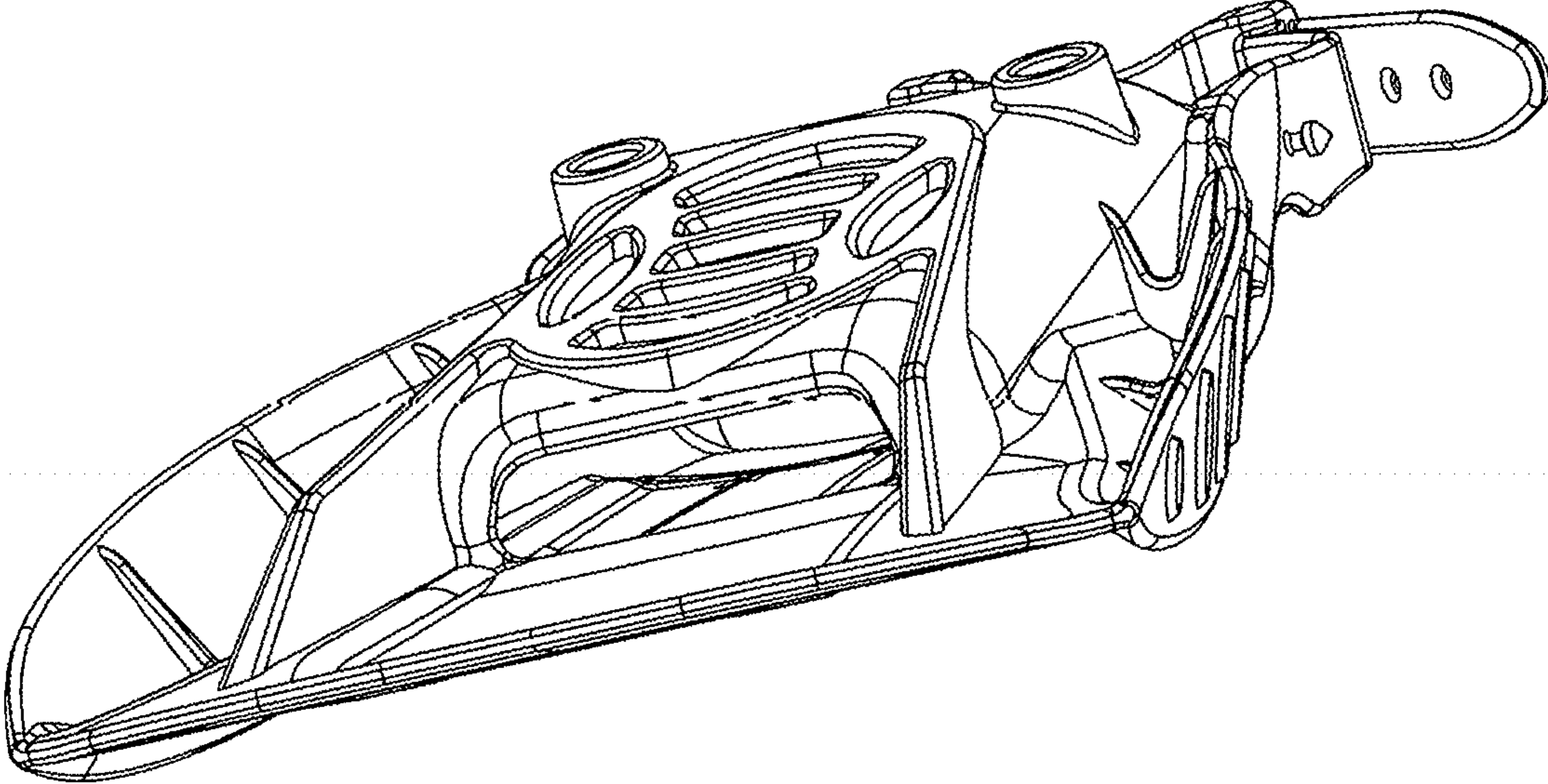


Fig. 7

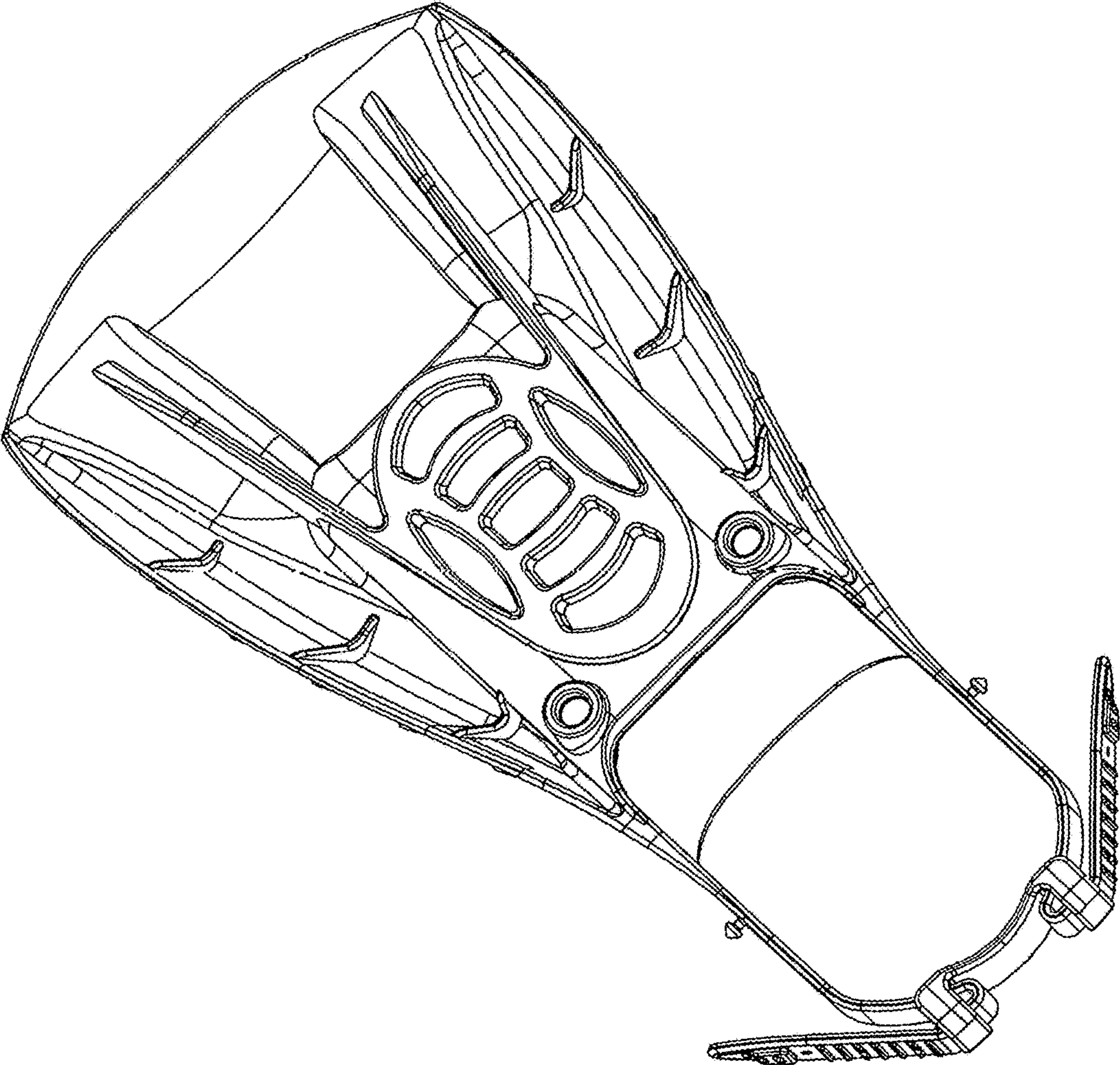


Fig. 8