

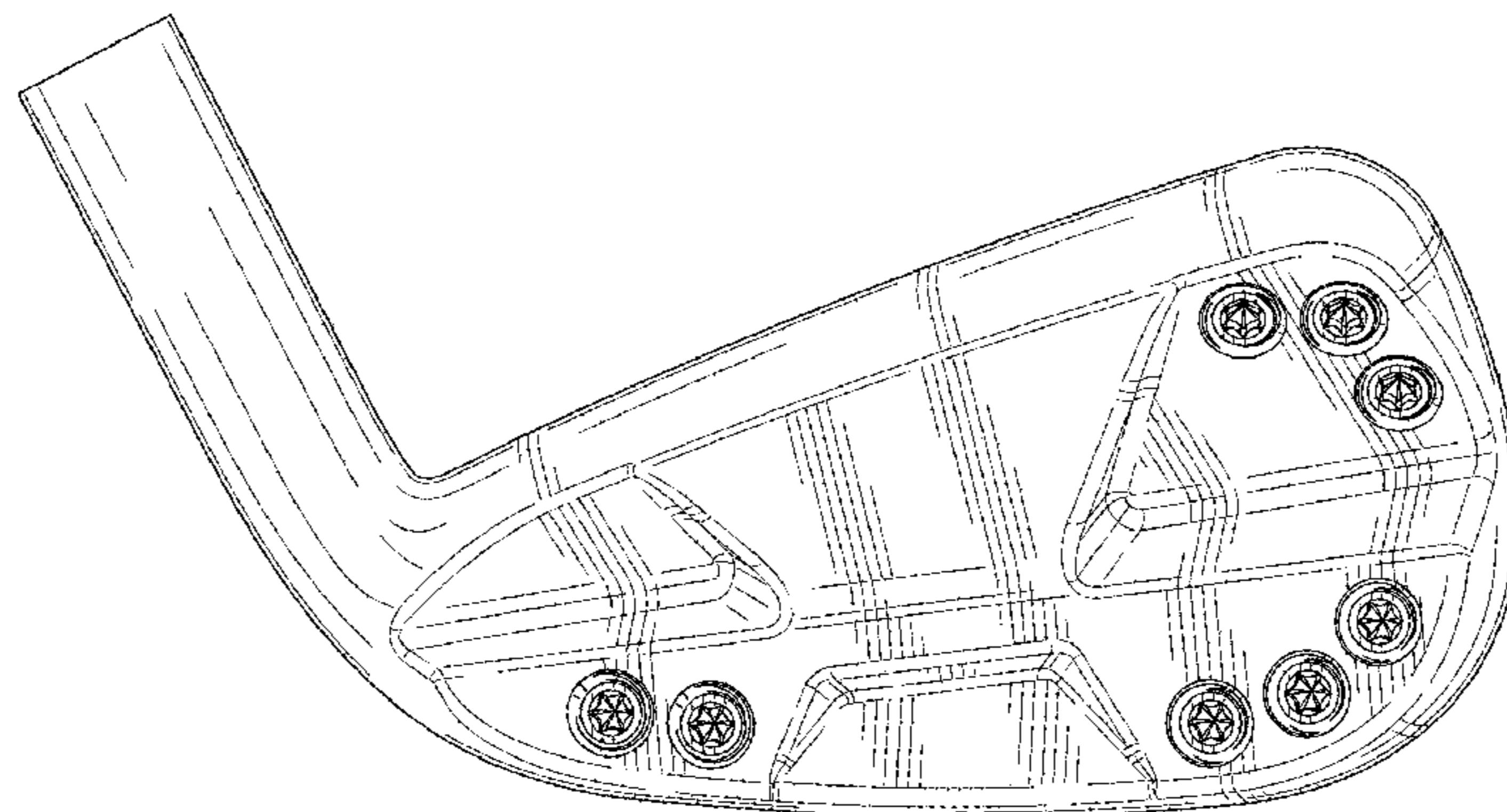


US00D852302S

(12) **United States Design Patent**  
**Parsons et al.**

(10) **Patent No.:** **US D852,302 S**  
(45) **Date of Patent:** **\*\* Jun. 25, 2019**

- (54) **GOLF CLUB HEAD**
- (71) Applicant: **PARSONS XTREME GOLF, LLC**,  
Scottsdale, AZ (US)
- (72) Inventors: **Robert R. Parsons**, Scottsdale, AZ  
(US); **Michael R. Nicolette**, Scottsdale,  
AZ (US); **Bradley D. Schweigert**,  
Anthem, AZ (US)
- (73) Assignee: **PARSONS XTREME GOLF, LLC**,  
Scottsdale, AZ (US)
- (\*\*) Term: **15 Years**
- (21) Appl. No.: **29/665,176**
- (22) Filed: **Oct. 1, 2018**
- Related U.S. Application Data**
- (63) Continuation-in-part of application No. 29/657,820,  
filed on Jul. 25, 2018.
- (51) **LOC (11) Cl.** ..... **21-02**
- (52) **U.S. Cl.**  
USPC ..... **D21/747**
- (58) **Field of Classification Search**  
USPC ..... D21/747-751, 759  
CPC ..... A63B 53/00; A63B 53/02; A63B 53/04;  
A63B 53/047; A63B 53/0475; A63B  
2053/0479; A63B 2053/0483; A63B  
2053/0445; A63B 60/00; A63B 60/46  
See application file for complete search history.
- (56) **References Cited**
- U.S. PATENT DOCUMENTS**
- |               |         |                    |       |              |         |
|---------------|---------|--------------------|-------|--------------|---------|
| 1,133,129 A * | 3/1915  | Govan              | ..... | A63B 53/0466 | 473/337 |
| D164,469 S    | 9/1951  | Behrendt           |       |              |         |
| 3,020,048 A   | 2/1962  | Carroll            |       |              |         |
| D203,936 S    | 3/1966  | Long               |       |              |         |
| D215,101 S    | 9/1969  | Sabat              |       |              |         |
| D234,963 S    | 4/1975  | Hirata             |       |              |         |
| D239,550 S    | 4/1976  | Timbrook           |       |              |         |
| D240,054 S    | 5/1976  | Meissler           |       |              |         |
| D244,792 S *  | 6/1977  | Gelinas            | ..... | D21/751      |         |
| D250,136 S *  | 10/1978 | Gelinas            | ..... | D21/751      |         |
| D261,167 S    | 10/1981 | Swanson            |       |              |         |
| D294,617 S *  | 3/1988  | Perkins            | ..... | D21/749      |         |
| 4,754,977 A * | 7/1988  | Sahm               | ..... | A63B 53/04   | 473/337 |
| 4,824,116 A   | 4/1989  | Nagamoto et al.    |       |              |         |
| 4,988,104 A   | 1/1991  | Shiotani et al.    |       |              |         |
| 5,158,296 A * | 10/1992 | Lee                | ..... | A63B 53/04   | 473/327 |
| 5,176,384 A   | 1/1993  | Sata et al.        |       |              |         |
| 5,213,328 A   | 5/1993  | Long et al.        |       |              |         |
| D336,672 S    | 6/1993  | Gorman             |       |              |         |
| D353,862 S    | 12/1994 | Saito              |       |              |         |
| D357,520 S    | 4/1995  | Helmstetter et al. |       |              |         |
| 5,419,560 A   | 5/1995  | Bamber             |       |              |         |
| 5,425,535 A   | 6/1995  | Gee                |       |              |         |
| D361,358 S    | 8/1995  | Simmons            |       |              |         |
| 5,447,311 A   | 9/1995  | Viollaz et al.     |       |              |         |
| 5,451,056 A   | 9/1995  | Manning            |       |              |         |
| D362,884 S    | 10/1995 | Blough et al.      |       |              |         |
| D362,885 S    | 10/1995 | Blough et al.      |       |              |         |
| D362,887 S    | 10/1995 | Blough et al.      |       |              |         |
| D370,514 S    | 6/1996  | Blough et al.      |       |              |         |
| 5,540,437 A   | 7/1996  | Bamber             |       |              |         |
| D379,106 S    | 5/1997  | Maltby             |       |              |         |
| 5,637,045 A   | 6/1997  | Igarashi           |       |              |         |
| 5,669,830 A   | 9/1997  | Bamber             |       |              |         |
| D389,540 S *  | 1/1998  | Mendenhall         | ..... | D21/750      |         |
| D389,541 S    | 1/1998  | Huan-Chiang        |       |              |         |
| D395,476 S    | 6/1998  | Pond et al.        |       |              |         |
| 5,766,091 A   | 6/1998  | Humphrey et al.    |       |              |         |
| 5,766,092 A   | 6/1998  | Mimeur et al.      |       |              |         |
| D399,277 S    | 10/1998 | Ezaki              |       |              |         |
| 5,827,132 A   | 10/1998 | Bamber             |       |              |         |
| D408,485 S    | 4/1999  | Takahashi et al.   |       |              |         |
| 5,899,821 A   | 5/1999  | Hsu et al.         |       |              |         |
| 5,935,016 A   | 8/1999  | Antonious          |       |              |         |
| D414,535 S    | 9/1999  | Mertens            |       |              |         |
| D421,080 S *  | 2/2000  | Chen               | ..... | D21/747      |         |
| D426,276 S    | 6/2000  | Besnard et al.     |       |              |         |
| D426,476 S    | 6/2000  | Goss               |       |              |         |
| 6,077,171 A * | 6/2000  | Yoneyama           | ..... | A63B 53/04   | 473/291 |
| D442,659 S    | 5/2001  | Kubica et al.      |       |              |         |
| D443,008 S    | 5/2001  | Kubica et al.      |       |              |         |
| D445,862 S    | 7/2001  | Ford               |       |              |         |
| 6,290,609 B1  | 9/2001  | Takeda             |       |              |         |
| D449,866 S    | 10/2001 | Miller             |       |              |         |
| D457,211 S    | 5/2002  | Bakke              |       |              |         |
| D458,328 S    | 6/2002  | Solheim et al.     |       |              |         |
| D469,833 S    | 2/2003  | Roberts et al.     |       |              |         |
| D473,605 S *  | 4/2003  | Petersen           | ..... | D21/747      |         |



# US D852,302 S

D175,107 S	5/2003	Madore		D586,414 S *	2/2009	Foster .....	D21/747
D476,048 S	6/2003	Cleveland et al.		D587,327 S *	2/2009	Ines .....	D21/747
D478,949 S	8/2003	DeLaCruz		D594,518 S	6/2009	Schweigert	
6,638,182 B2	10/2003	Kosmatka		D596,256 S	7/2009	Schweigert et al.	
6,695,714 B1	2/2004	Bliss et al.		D596,257 S	7/2009	Jertson et al.	
6,702,693 B2	3/2004	Bamber		D596,258 S	7/2009	Jertson et al.	
6,780,123 B2	3/2004	Hasebe		D596,688 S	7/2009	Schweigert et al.	
D488,201 S *	4/2004	Wahl .....	D21/747	D597,158 S	7/2009	Schweigert et al.	
D492,376 S	6/2004	Nicolette et al.		D601,216 S	9/2009	Jertson et al.	
D494,240 S	8/2004	Schweigert		7,588,502 B2 *	9/2009	Nishino .....	A63B 53/0466 473/332
D494,648 S	8/2004	Schweigert et al.					
D497,963 S	11/2004	Toulon et al.		7,601,075 B2	10/2009	Cole et al.	
6,811,496 B2	11/2004	Wahl et al.		D604,783 S	11/2009	Nicolette et al.	
D499,779 S	12/2004	Mahaffey et al.		7,611,424 B2	11/2009	Nagai et al.	
D500,350 S	12/2004	Schweigert et al.		D606,605 S	12/2009	Wada et al.	
D500,351 S	12/2004	Schweigert et al.		D607,070 S	12/2009	Wada et al.	
D502,237 S	2/2005	Schweigert et al.		D607,071 S	12/2009	Wada et al.	
D502,975 S	3/2005	Schweigert et al.		7,658,666 B2	2/2010	Soracco	
D503,204 S	3/2005	Nicolette et al.		D612,438 S	3/2010	Carlyle et al.	
D504,925 S	5/2005	Schweigert et al.		D612,439 S	3/2010	Carlyle et al.	
D505,171 S	5/2005	Schweigert et al.		D617,406 S	6/2010	Carlyle et al.	
D507,320 S	7/2005	Roberts et al.		D618,293 S	6/2010	Foster et al.	
D507,614 S	7/2005	Schweigert et al.		7,736,243 B2	6/2010	Sanchez et al.	
D508,099 S	8/2005	Schweigert et al.		7,744,484 B1	6/2010	Chao	
D508,545 S	8/2005	Roberts et al.		D621,893 S	8/2010	Nicolette et al.	
6,923,733 B2	8/2005	Chen		D621,894 S	8/2010	Schweigert	
D514,183 S	1/2006	Schweigert et al.		D621,895 S	8/2010	Schweigert et al.	
D516,650 S	3/2006	Wolfe et al.		7,798,917 B2	9/2010	Nguyen et al.	
D518,863 S	4/2006	Motoyoshi et al.		7,815,521 B2	10/2010	Ban et al.	
D523,501 S	6/2006	Nicolette et al.		D627,409 S	11/2010	Schweigert et al.	
D523,917 S	6/2006	Wolfe et al.		D627,410 S	11/2010	Nicolette et al.	
D524,889 S	7/2006	Yu et al.		7,846,040 B2	12/2010	Ban	
D530,759 S	10/2006	Nicolette et al.		D633,159 S	2/2011	Holt	
D530,760 S	10/2006	Schweigert et al.		D633,967 S	3/2011	Carlyle et al.	
7,121,956 B2 *	10/2006	Lo .....	A63B 53/04 473/335	D635,627 S	4/2011	Nicolette	
				7,938,738 B2	5/2011	Roach	
7,128,663 B2	10/2006	Bamber		D642,642 S	8/2011	Jertson et al.	
D531,688 S *	11/2006	Frame .....	D21/747	D643,488 S	8/2011	Holt	
D532,849 S	11/2006	Nicolette et al.		D643,490 S	8/2011	Wada et al.	
D534,228 S	12/2006	Nicolette et al.		D643,491 S	8/2011	Stokke et al.	
D534,595 S *	1/2007	Hasebe .....	D21/747	D643,492 S	8/2011	Nicolette et al.	
D534,597 S	1/2007	Nicolette et al.		D643,895 S	8/2011	Wieland	
7,156,751 B2	1/2007	Wahl et al.		D643,896 S	8/2011	Jertson et al.	
D536,759 S	2/2007	Schweigert et al.		D647,582 S	10/2011	Nicolette et al.	
D537,494 S	2/2007	Jertson et al.		D649,211 S	11/2011	Jertson et al.	
7,182,698 B2	2/2007	Tseng		8,062,150 B2	11/2011	Gilbert et al.	
D538,366 S	3/2007	Nicolette et al.		D651,268 S	12/2011	Nicolette et al.	
D539,864 S	4/2007	Nicolette et al.		8,088,025 B2	1/2012	Wahl et al.	
D540,898 S	4/2007	Solheim et al.		8,092,319 B1	1/2012	Cackett et al.	
D541,360 S	4/2007	Schweigert et al.		8,105,180 B1	1/2012	Cackett et al.	
7,207,900 B2	4/2007	Nicolette et al.		8,142,307 B2	3/2012	Sanchez et al.	
D543,601 S *	5/2007	Kawami .....	D21/759	D658,248 S	4/2012	Nunez et al.	
D544,056 S	6/2007	Nicolette et al.		8,221,262 B1	7/2012	Cackett et al.	
D547,410 S	7/2007	Nicolette et al.		8,246,487 B1 *	8/2012	Cackett .....	A63B 53/06 473/334
D555,219 S *	11/2007	Lin .....	D21/759				
7,303,486 B2	12/2007	Imamoto		D670,775 S	11/2012	Jertson et al.	
D559,932 S	1/2008	Belmont		D672,417 S	12/2012	Jertson et al.	
D561,855 S	2/2008	Schweigert et al.		8,328,662 B2	12/2012	Nakamura et al.	
D562,925 S	2/2008	Schweigert et al.		D673,633 S	1/2013	Jertson et al.	
7,351,164 B2	4/2008	Schweigert et al.		D673,634 S	1/2013	Jertson et al.	
D570,435 S	6/2008	Sanchez et al.		8,376,878 B2	2/2013	Bennett et al.	
D570,935 S	6/2008	Nicolette et al.		D680,603 S	4/2013	Nicolette et al.	
D570,936 S	6/2008	Schweigert et al.		D681,142 S	4/2013	Fossum et al.	
D570,942 S	6/2008	Chen et al.		D681,143 S	4/2013	Nicolette et al.	
D571,422 S	6/2008	Schweigert et al.		8,414,422 B2	4/2013	Peralta et al.	
D571,425 S	6/2008	Chen et al.		8,506,420 B2	8/2013	Hocknell et al.	
D571,427 S	6/2008	Schweigert et al.		8,545,343 B2	10/2013	Boyd et al.	
D571,881 S	6/2008	Nicolette et al.		8,574,094 B2	11/2013	Nicolette et al.	
D572,326 S	7/2008	Schweigert et al.		8,657,700 B2	2/2014	Nicolette et al.	
D572,329 S	7/2008	Nicolette et al.		8,663,026 B2	3/2014	Blowers et al.	
D573,219 S	7/2008	Schweigert et al.		8,690,710 B2	4/2014	Niootette et al.	
7,396,299 B2	7/2008	Nicolette et al.		D707,316 S	6/2014	Aguayo et al.	
7,413,518 B2	8/2008	Cole et al.		D707,317 S	6/2014	Aguayo et al.	
D577,783 S	9/2008	Schweigert et al.		8,753,230 B2	6/2014	Stokke et al.	
D578,590 S	10/2008	Schweigert et al.		D708,688 S	7/2014	Nicolette et al.	
D581,000 S	11/2008	Nicolette et al.		8,827,832 B2	9/2014	Breier et al.	
D581,004 S	11/2008	Schweigert et al.		8,827,833 B2	9/2014	Amano et al.	
D584,370 S	1/2009	Cleveland et al.		8,845,455 B2	9/2014	Ban	
D585,103 S *	1/2009	Foster .....	D21/756	D716,387 S	10/2014	Aguayo et al.	

D716,388 S	10/2014	Aguayo et al.	
D716,391 S *	10/2014	Roche .....	D21/759
D722,352 S *	2/2015	Nicolette .....	D21/747
D723,120 S *	2/2015	Nicolette .....	D21/747
8,961,336 B1 *	2/2015	Parsons .....	A63B 53/0475 473/332
D726,265 S *	4/2015	Nicolette .....	D21/747
9,199,143 B1	12/2015	Parsons et al.	
D746,926 S *	1/2016	Parsons .....	D21/747
D748,214 S *	1/2016	Nicolette .....	D21/747
D748,749 S *	2/2016	Nicolette .....	D21/759
D756,471 S *	5/2016	Nicolette .....	D21/747
D764,610 S *	8/2016	Parsons .....	D21/747
9,421,437 B2	8/2016	Parsons et al.	
9,427,634 B2	8/2016	Parsons	
D773,575 S *	12/2016	Nicolette .....	D21/747
D802,068 S *	11/2017	Parsons .....	D21/747
D816,787 S *	5/2018	Nicolette .....	D21/747
D827,065 S *	8/2018	Nicolette .....	D21/747
D835,737 S *	12/2018	Parsons .....	D21/747
2002/0107087 A1	8/2002	Fagot	
2003/0139226 A1 *	7/2003	Cheng .....	A63B 53/04 473/334
2003/0176231 A1	9/2003	Hasebe	
2004/0204263 A1	10/2004	Fagot et al.	
2005/0009632 A1	1/2005	Schweigert et al.	
2005/0014573 A1	1/2005	Lee	
2005/0096148 A1	5/2005	Noble et al.	
2005/0119066 A1	6/2005	Stites et al.	
2005/0239569 A1	10/2005	Best et al.	
2005/0277485 A1 *	12/2005	Hou .....	A63B 53/047 473/332
2006/0111200 A1	5/2006	Poynor	
2007/0032308 A1	2/2007	Fagot et al.	
2007/0225084 A1	9/2007	Schweigert et al.	
2008/0058113 A1	3/2008	Nicolette et al.	
2008/0188322 A1	3/2008	Anderson et al.	
2008/0300065 A1	12/2008	Schweigert	
2009/0029790 A1	1/2009	Nicolette et al.	
2010/0130306 A1	5/2010	Schweigert	
2010/0178999 A1	7/2010	Nicolette et al.	
2011/0111883 A1	5/2011	Cackett	
2011/0165963 A1	7/2011	Cackett et al.	
2011/0269567 A1	11/2011	Ban et al.	
2011/0294596 A1	12/2011	Ban	
2013/0137532 A1	5/2013	Deshmukh et al.	
2013/0225319 A1	8/2013	Kato	
2013/0281226 A1	10/2013	Ban	
2013/0288823 A1	10/2013	Hebreo	
2013/0303303 A1	11/2013	Ban	
2013/0310192 A1	11/2013	Wahl et al.	
2014/0080621 A1	3/2014	Nicolette et al.	
2014/0128175 A1	5/2014	Jertson et al.	
2014/0274441 A1	9/2014	Greer	
2014/0274451 A1	9/2014	Knight et al.	
2015/0231454 A1 *	8/2015	Parsons .....	A63B 53/0475 473/335
2015/0231806 A1	8/2015	Parsons et al.	

OTHER PUBLICATIONS

International Search Report and Written Opinion issued in connection with corresponding application No. PCT/US2015/016666, on May 14, 2015 (8 pages).

Kozuchowski, Zak. "Callaway Mack Daddy 2 PM Grind Wedges" (<http://www.golfwrx.com/276203/callaway-mack-daddy-2-pm-grind-wedges/>), www.golfwrx.com, GolfWRX Holdings, LLC, published Jan. 21, 2015.

Wall, Jonathan, "Details: Phil's Prototype Mack Daddy PM-Grind Wedge," (<http://www.pgatour.com/equipmentreport/2015/01/21/callaway-wedge.html>), www.pgatour.com, PGA Tour, Inc., published Jan. 21, 2015.

\* cited by examiner

Primary Examiner — Mitchell I. Siegel

(57) CLAIM

The ornamental design for a golf club head, as shown and described.

DESCRIPTION

FIG. 1 is a top perspective view of a golf club head; FIG. 2 is a bottom perspective view of the golf club head of FIG. 1; FIG. 3 is a front elevational view of the golf club head of FIG. 1; FIG. 4 is a rear elevational view of the golf club head of FIG. 1; FIG. 5 is a top view of the golf club head of FIG. 1; FIG. 6 is a bottom view of the golf club head of FIG. 1; FIG. 7 is a left side view of the golf club head of FIG. 1; FIG. 8 is a right side view of the golf club head of FIG. 1; FIG. 9 is a top perspective view of a second embodiment of a golf club head; FIG. 10 is a bottom perspective view of the golf club head of FIG. 9; FIG. 11 is a front elevational view of the golf club head of FIG. 9; FIG. 12 is a rear elevational view of the golf club head of FIG. 9; FIG. 13 is a top view of the golf club head of FIG. 9; FIG. 14 is a bottom view of the golf club head of FIG. 9; FIG. 15 is a left side view of the golf club head of FIG. 9; FIG. 16 is a right side view of the golf club head of FIG. 9; FIG. 17 is a top perspective view of a third embodiment of a golf club head; FIG. 18 is a bottom perspective view of the golf club head of FIG. 17; FIG. 19 is a front elevational view of the golf club head of FIG. 17; FIG. 20 is a rear elevational view of the golf club head of FIG. 17; FIG. 21 is a top view of the golf club head of FIG. 17; FIG. 22 is a bottom view of the golf club head of FIG. 17; FIG. 23 is a left side view of the golf club head of FIG. 17; FIG. 24 is a right side view of the golf club head of FIG. 17; FIG. 25 is a top perspective view of a fourth embodiment of a golf club head; FIG. 26 is a bottom perspective view of the golf club head of FIG. 25; FIG. 27 is a front elevational view of the golf club head of FIG. 25; FIG. 28 is a rear elevational view of the golf club head of FIG. 25; FIG. 29 is a top view of the golf club head of FIG. 25; FIG. 30 is a bottom view of the golf club head of FIG. 25; FIG. 31 is a left side view of the golf club head of FIG. 25; FIG. 32 is a right side view of the golf club head of FIG. 25; FIG. 33 is a top perspective view of a fifth embodiment of a golf club head; FIG. 34 is a bottom perspective view of the golf club head of FIG. 33; FIG. 35 is a front elevational view of the golf club head of FIG. 33; FIG. 36 is a rear elevational view of the golf club head of FIG. 33; FIG. 37 is a top view of the golf club head of FIG. 33; FIG. 38 is a bottom view of the golf club head of FIG. 33; FIG. 39 is a left side view of the golf club head of FIG. 33; and,

FIG. 40 is a right side view of the golf club head of FIG. 33. The broken line showing is included for the purpose of illustrating unclaimed subject matter and forms no part of the claimed design.

**1 Claim, 40 Drawing Sheets**

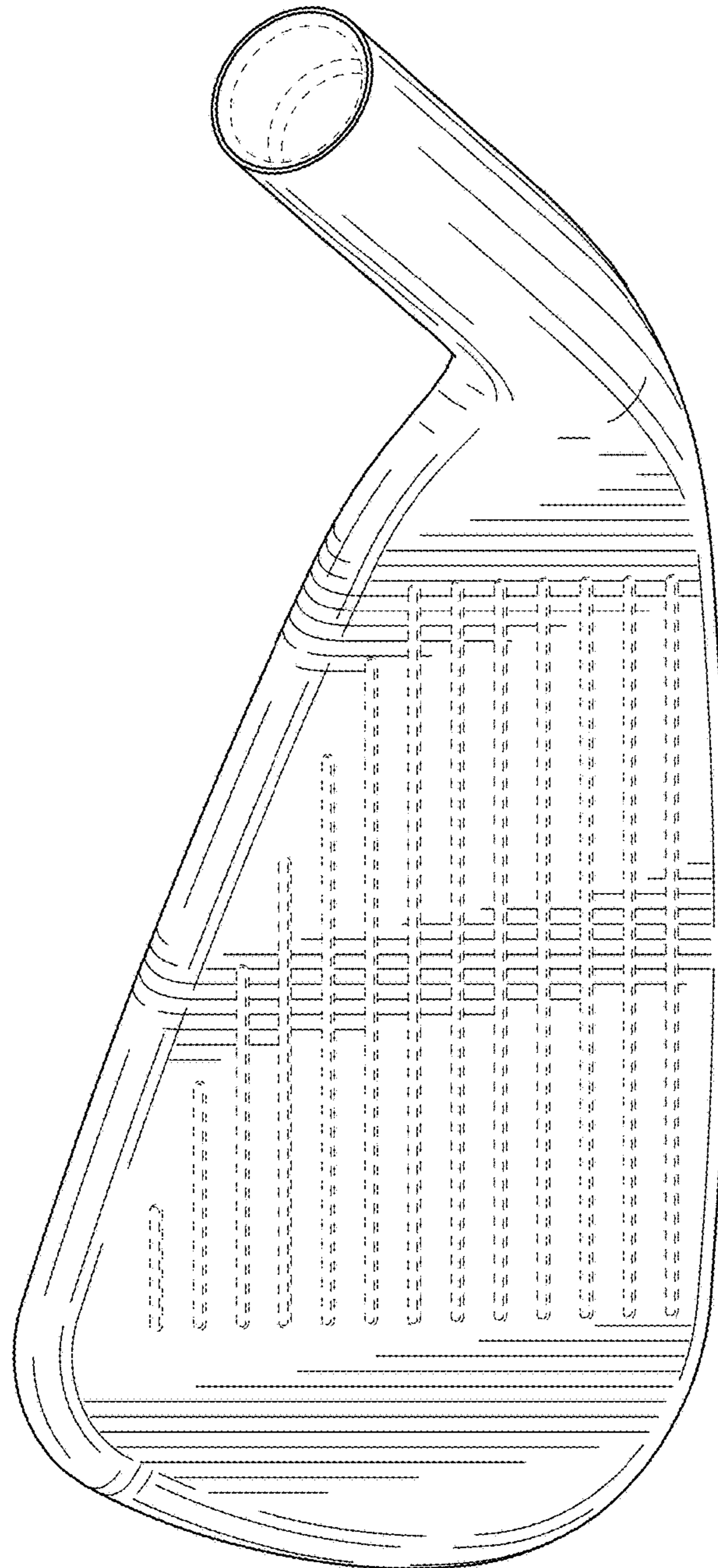


FIG. 1

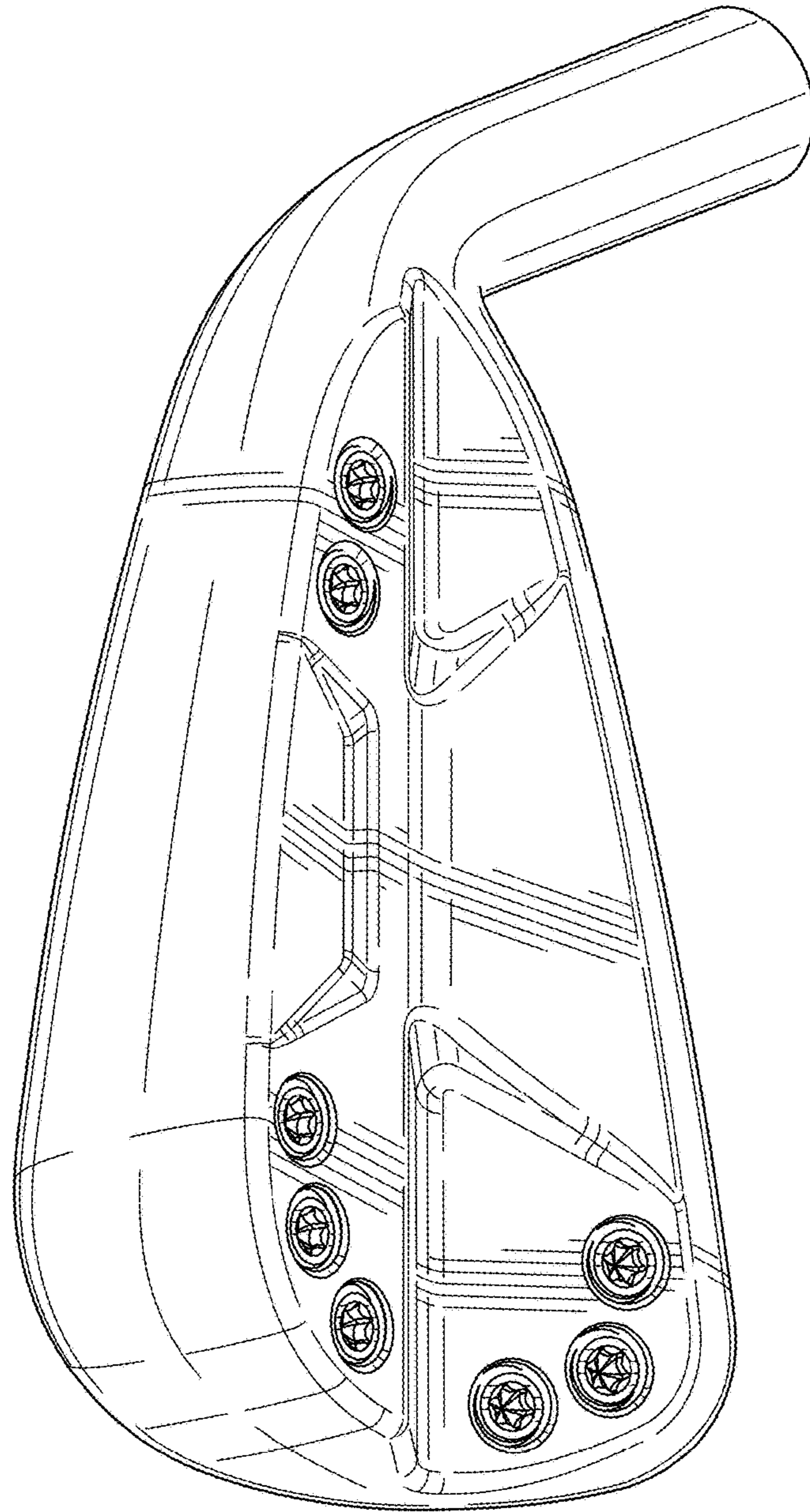


FIG. 2

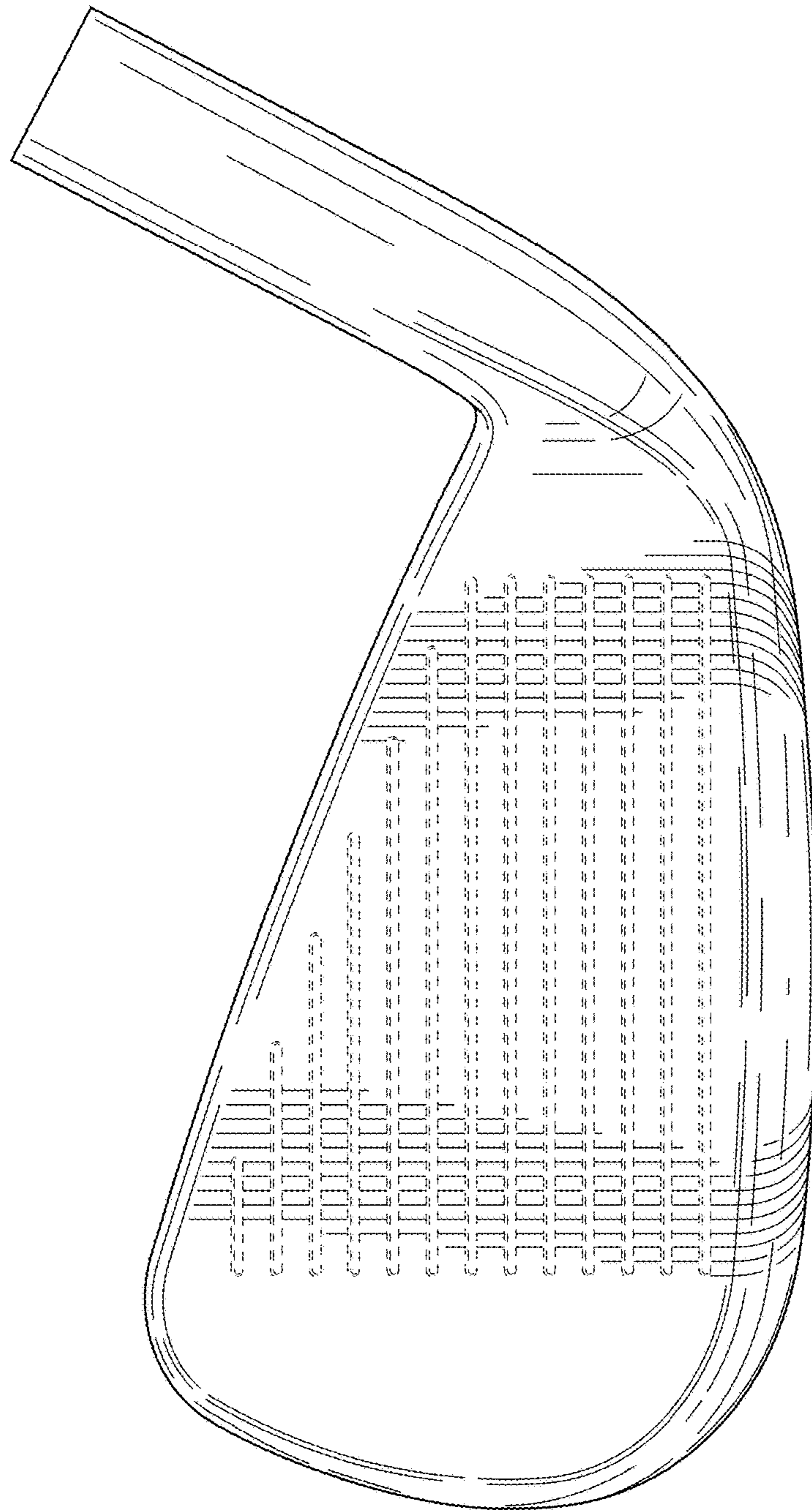


FIG. 3

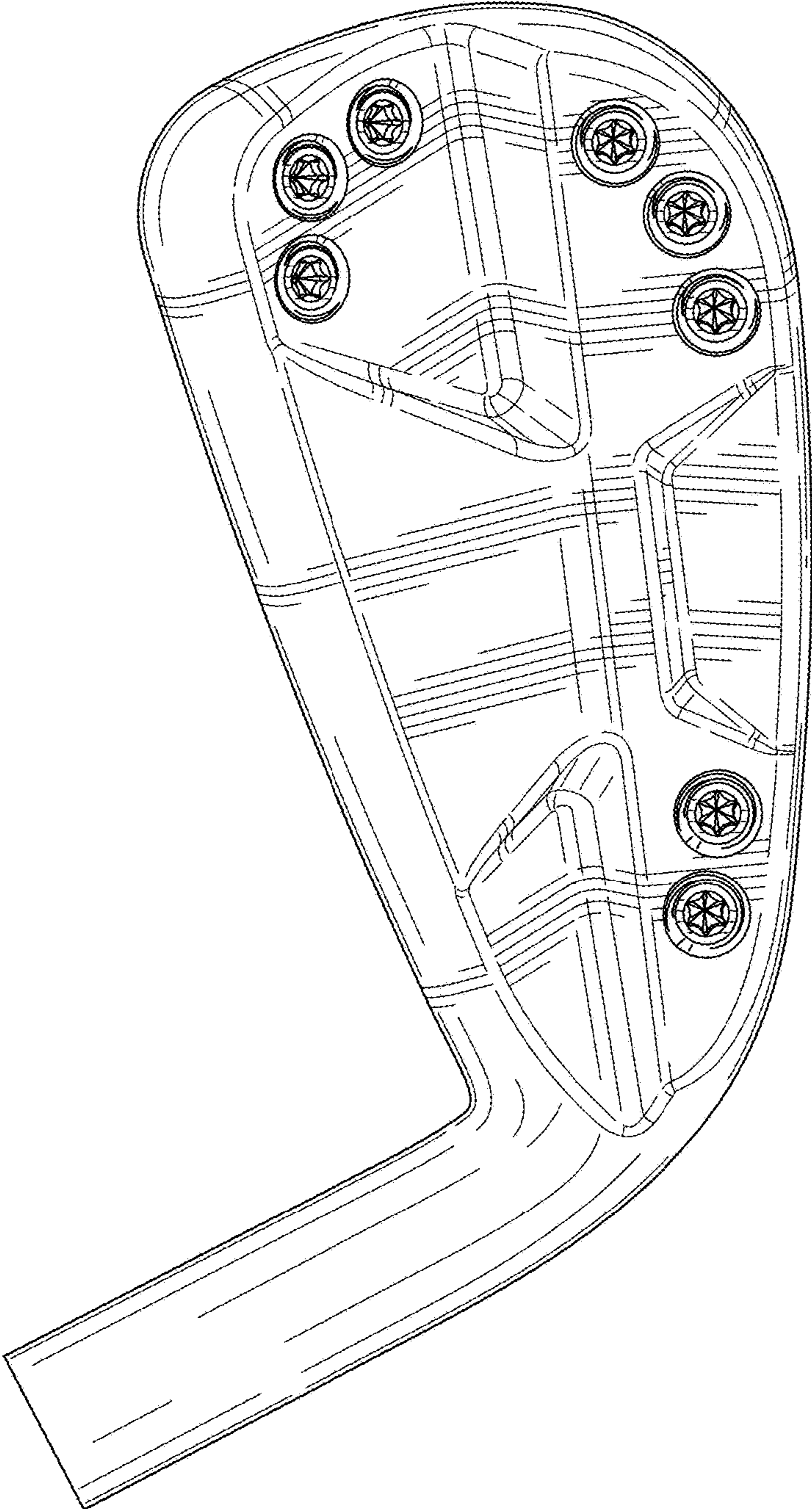


FIG. 4



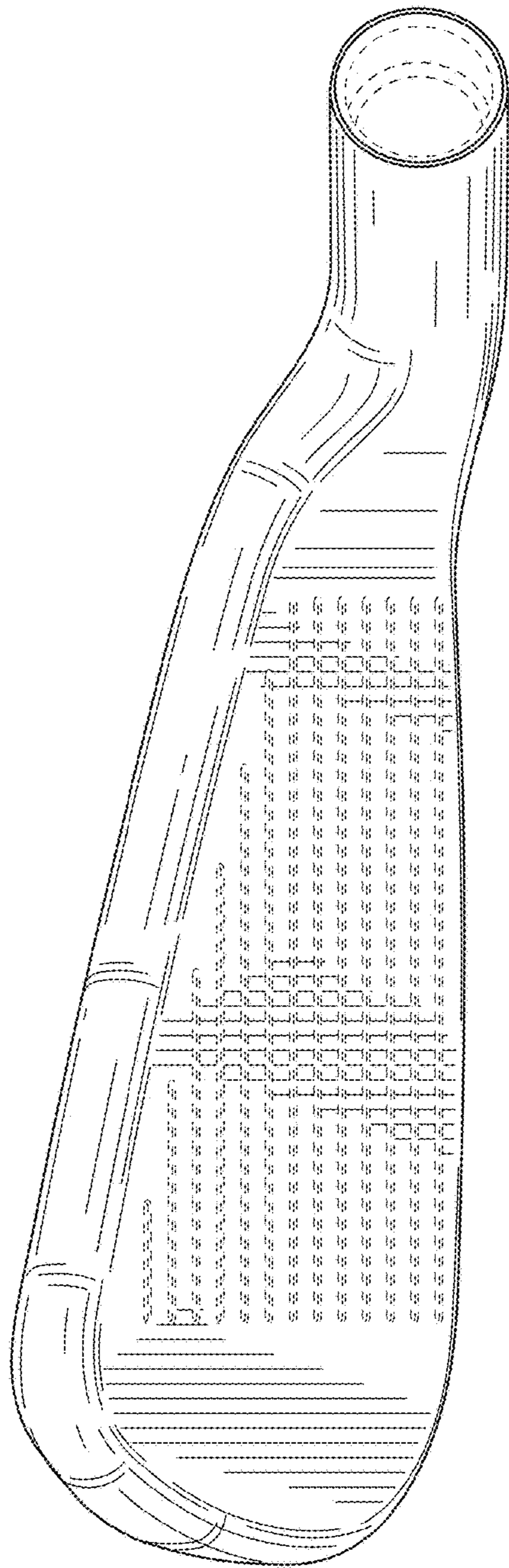


FIG. 5

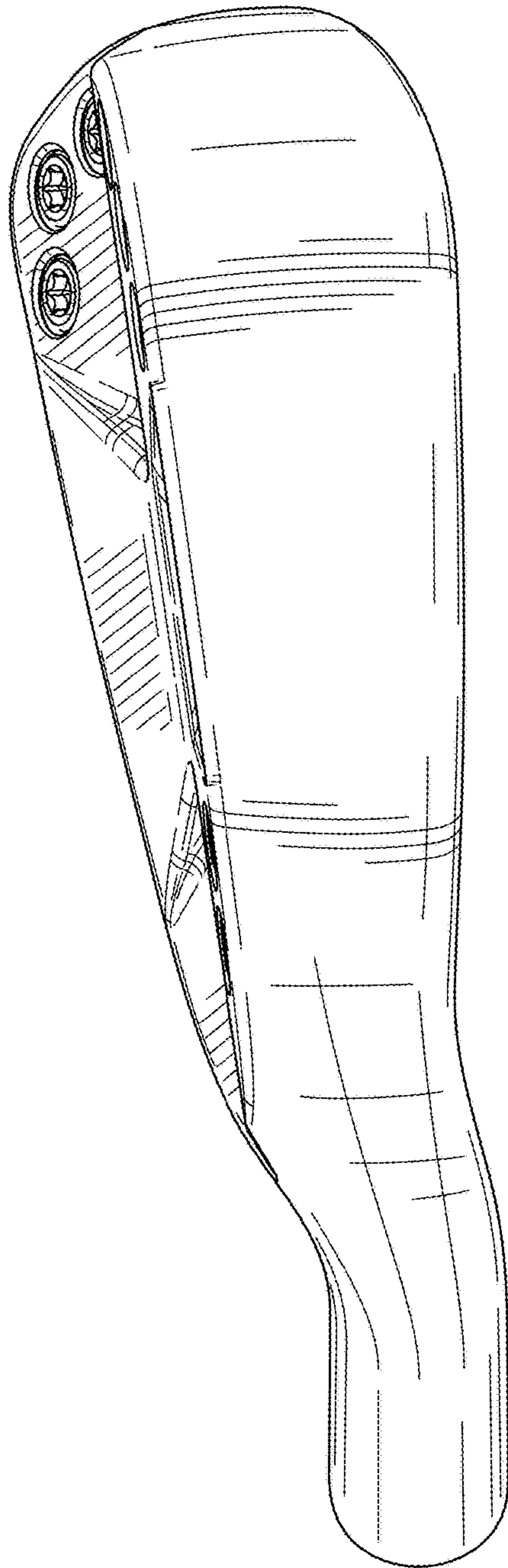


FIG. 6

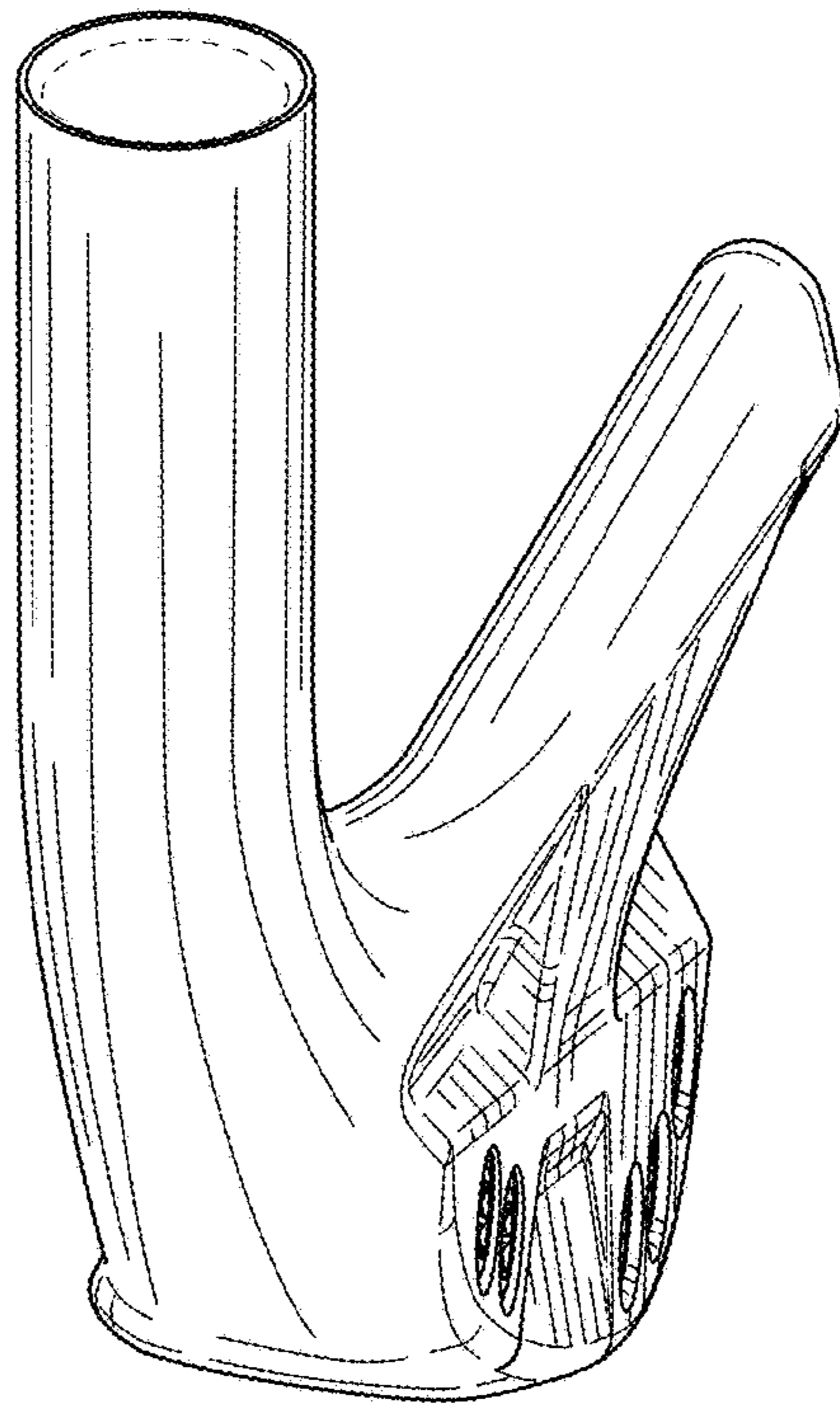


FIG. 7

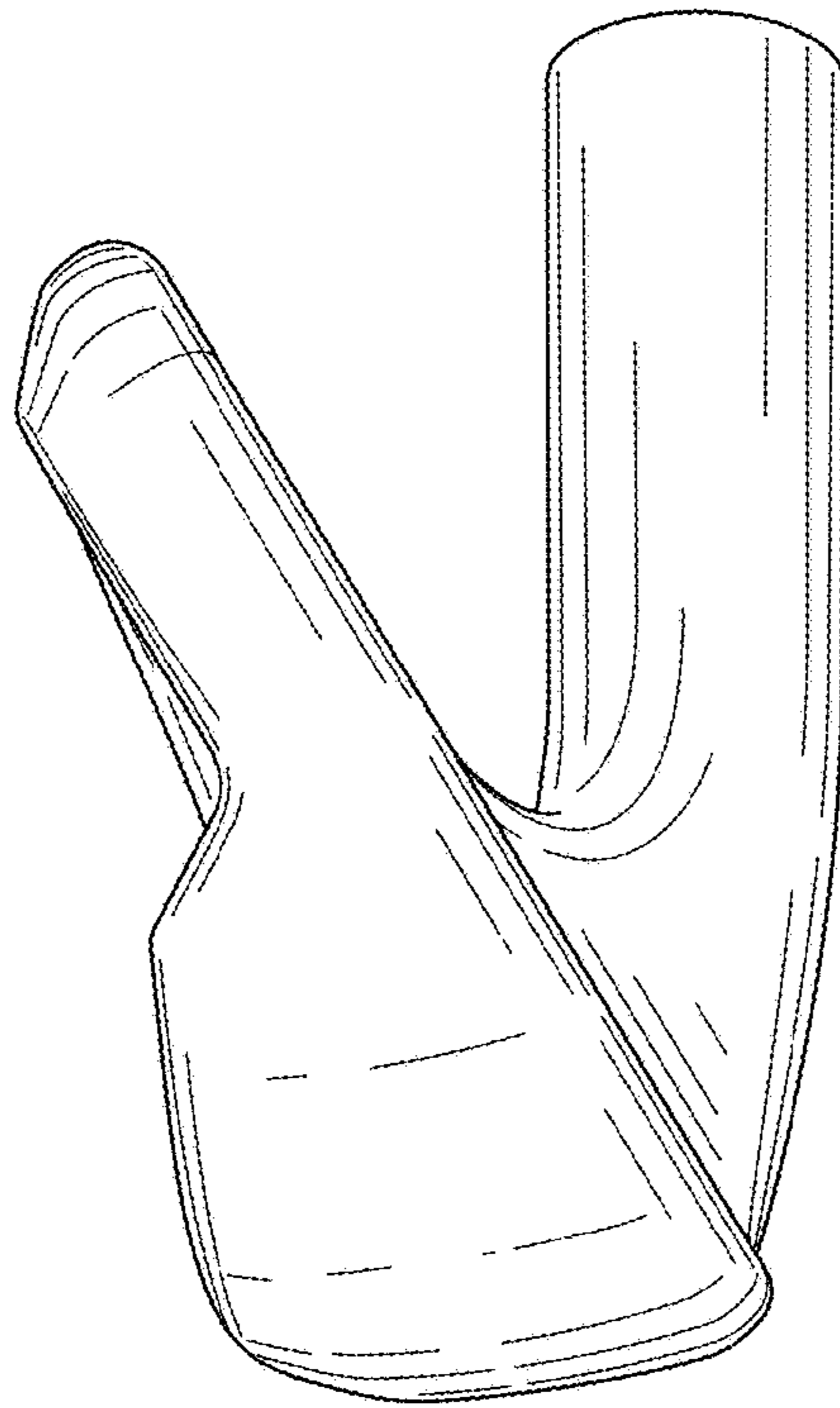


FIG. 8

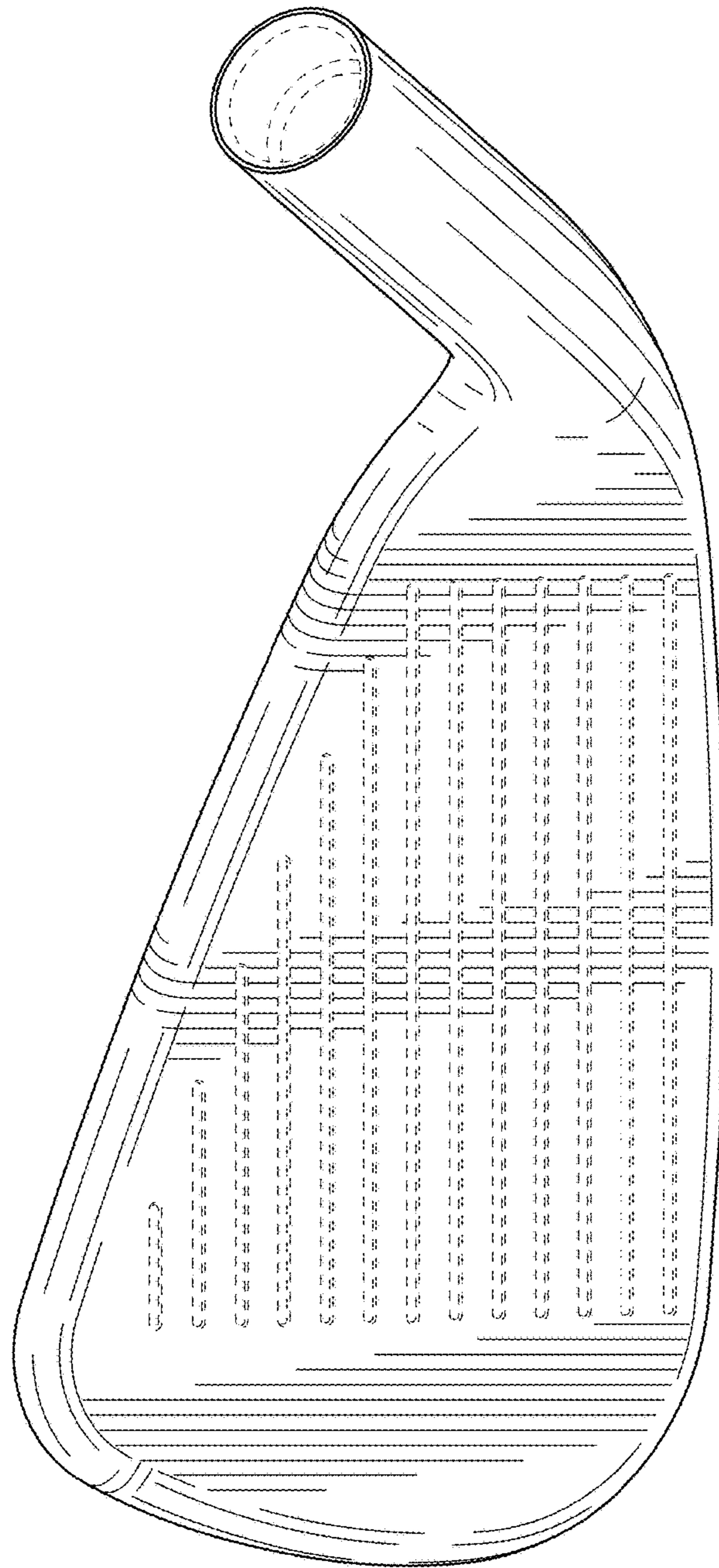


FIG. 9

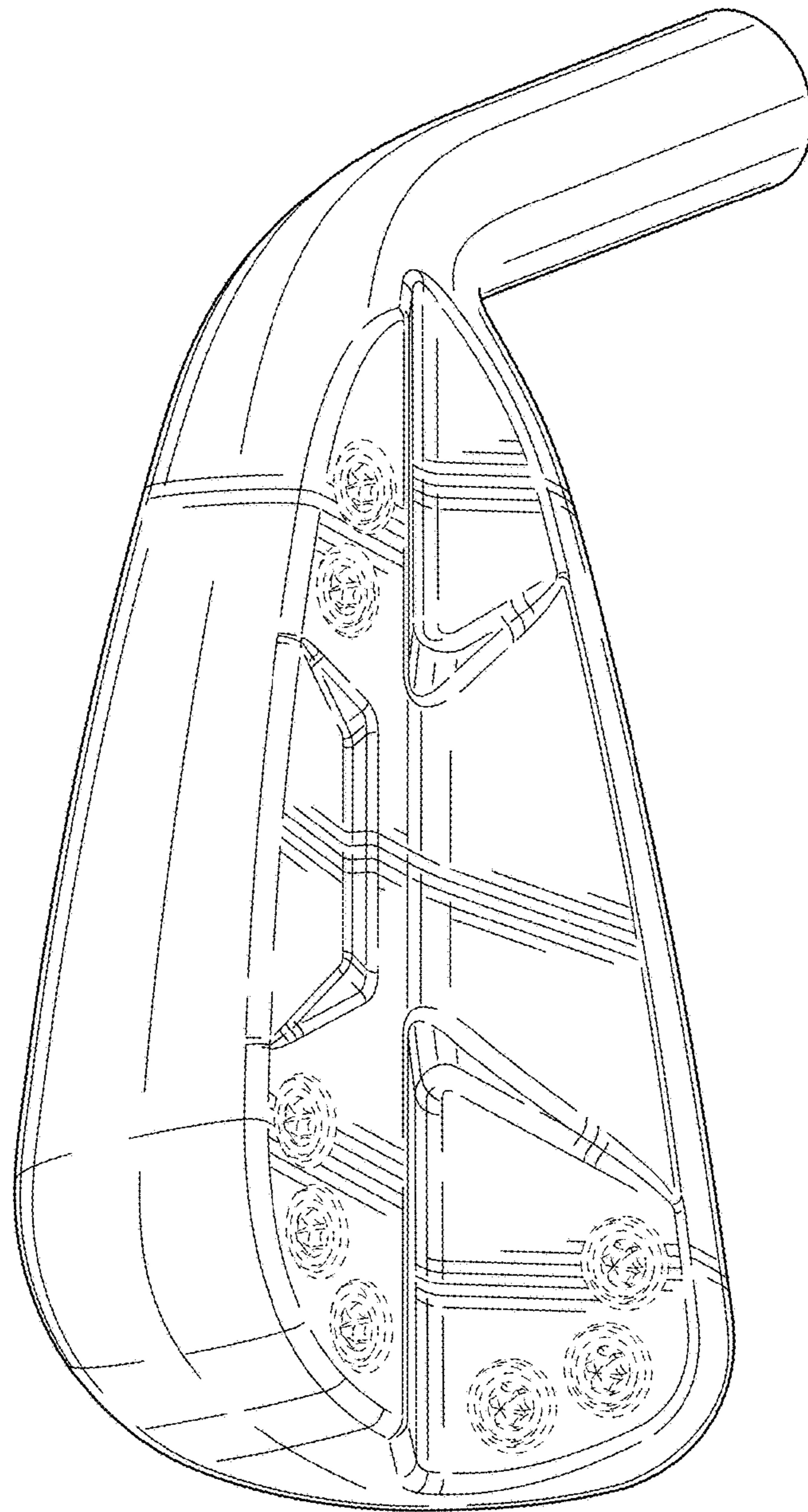


FIG. 10

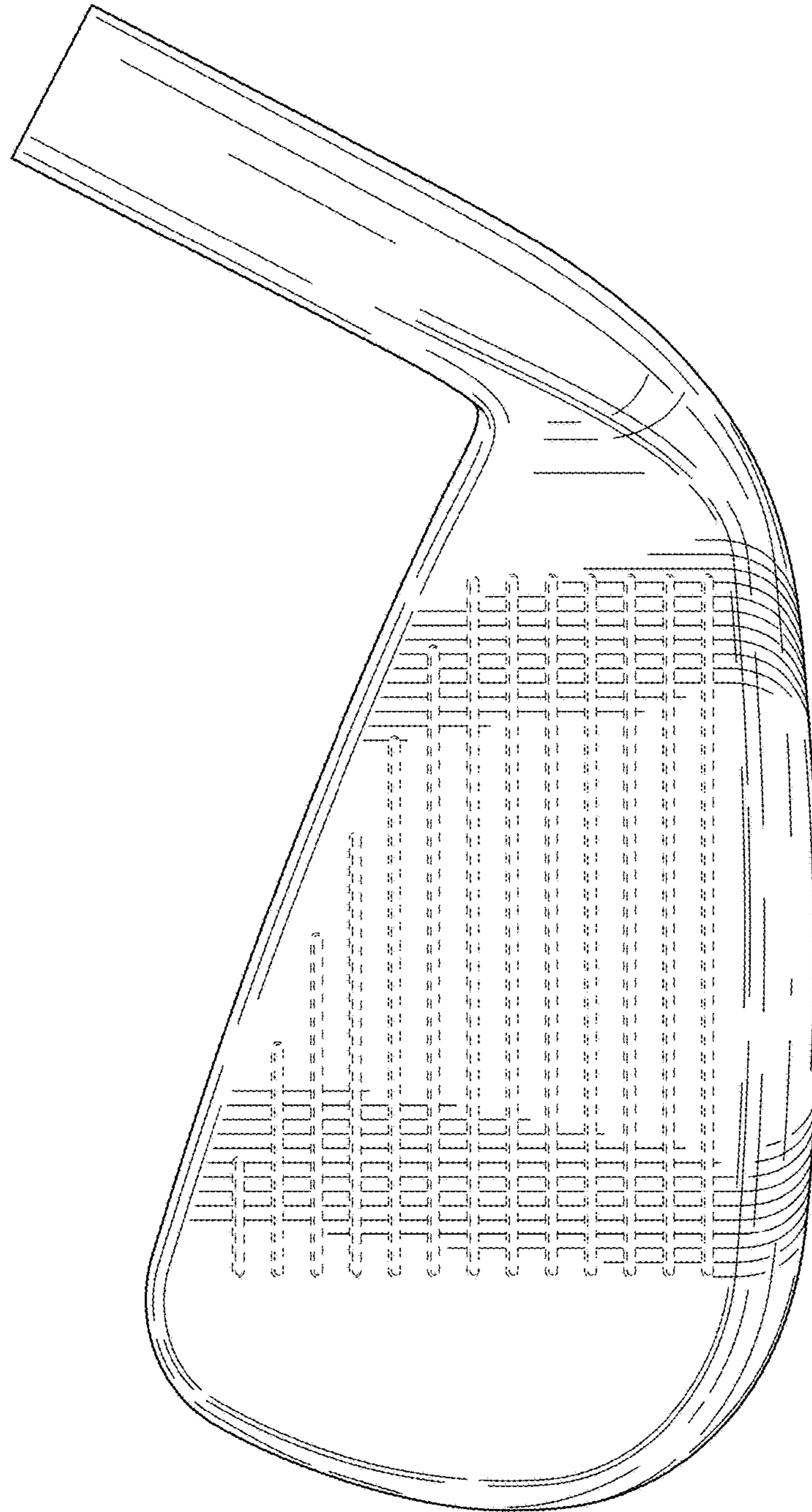


FIG. 11

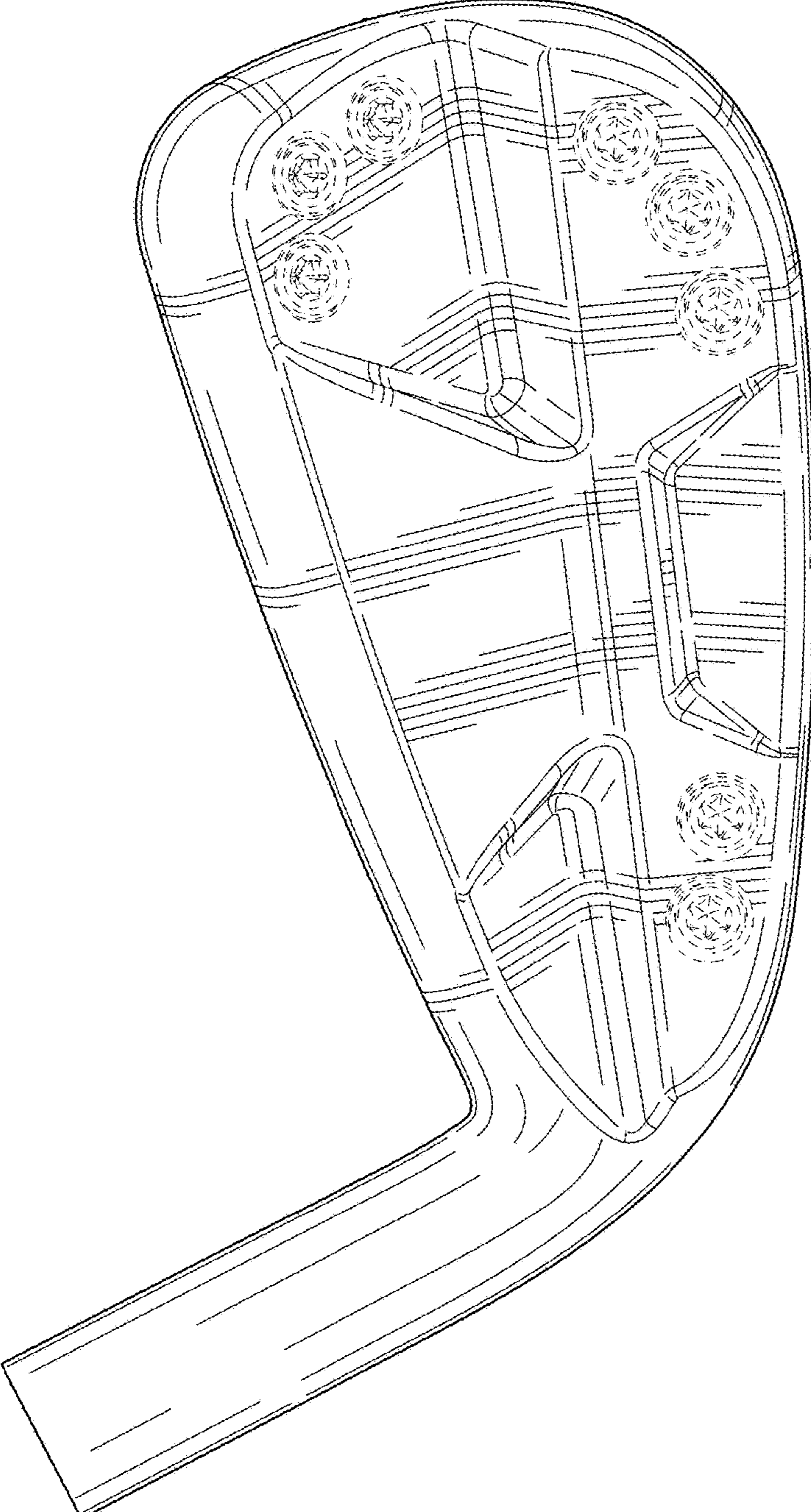


FIG. 12



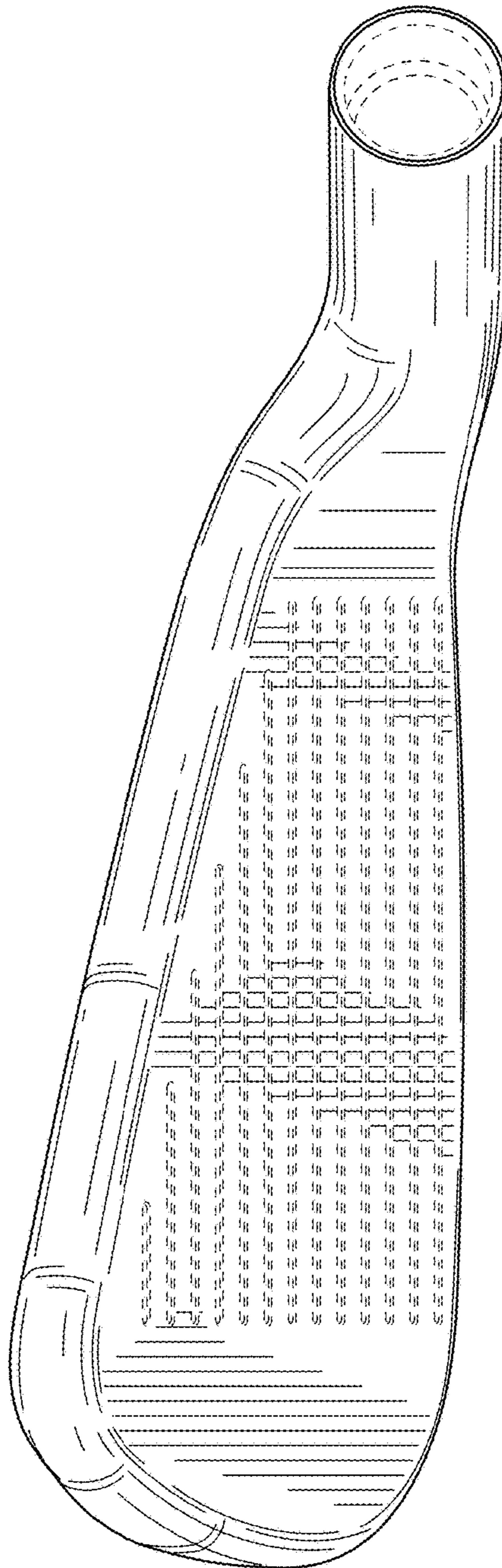


FIG. 13

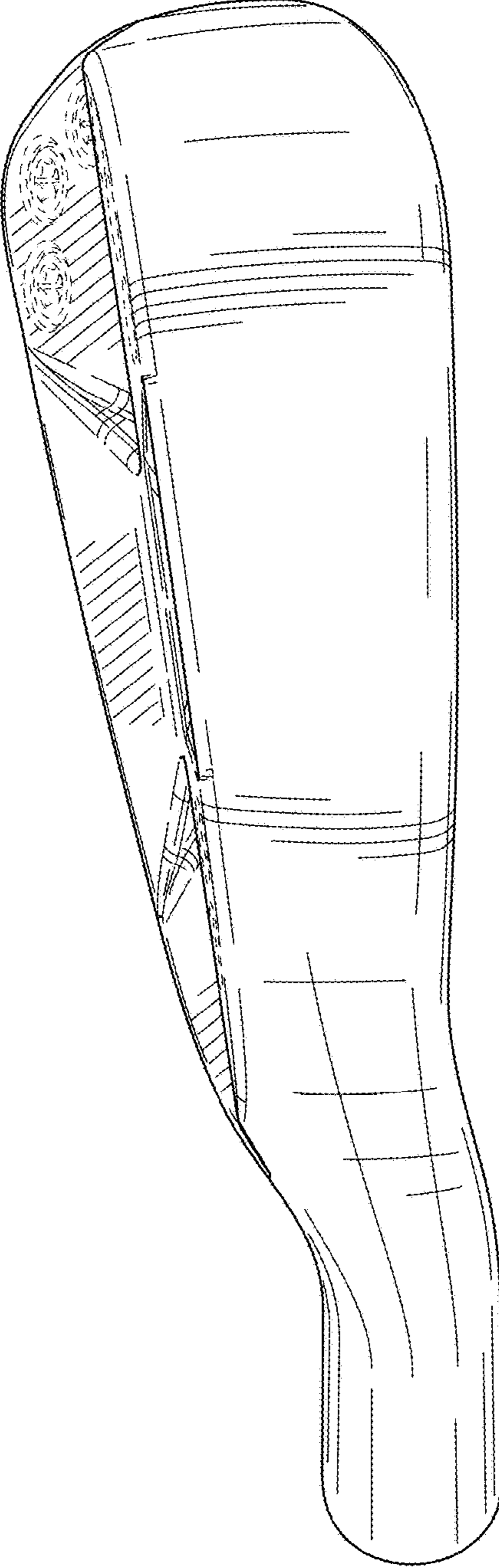


FIG. 14

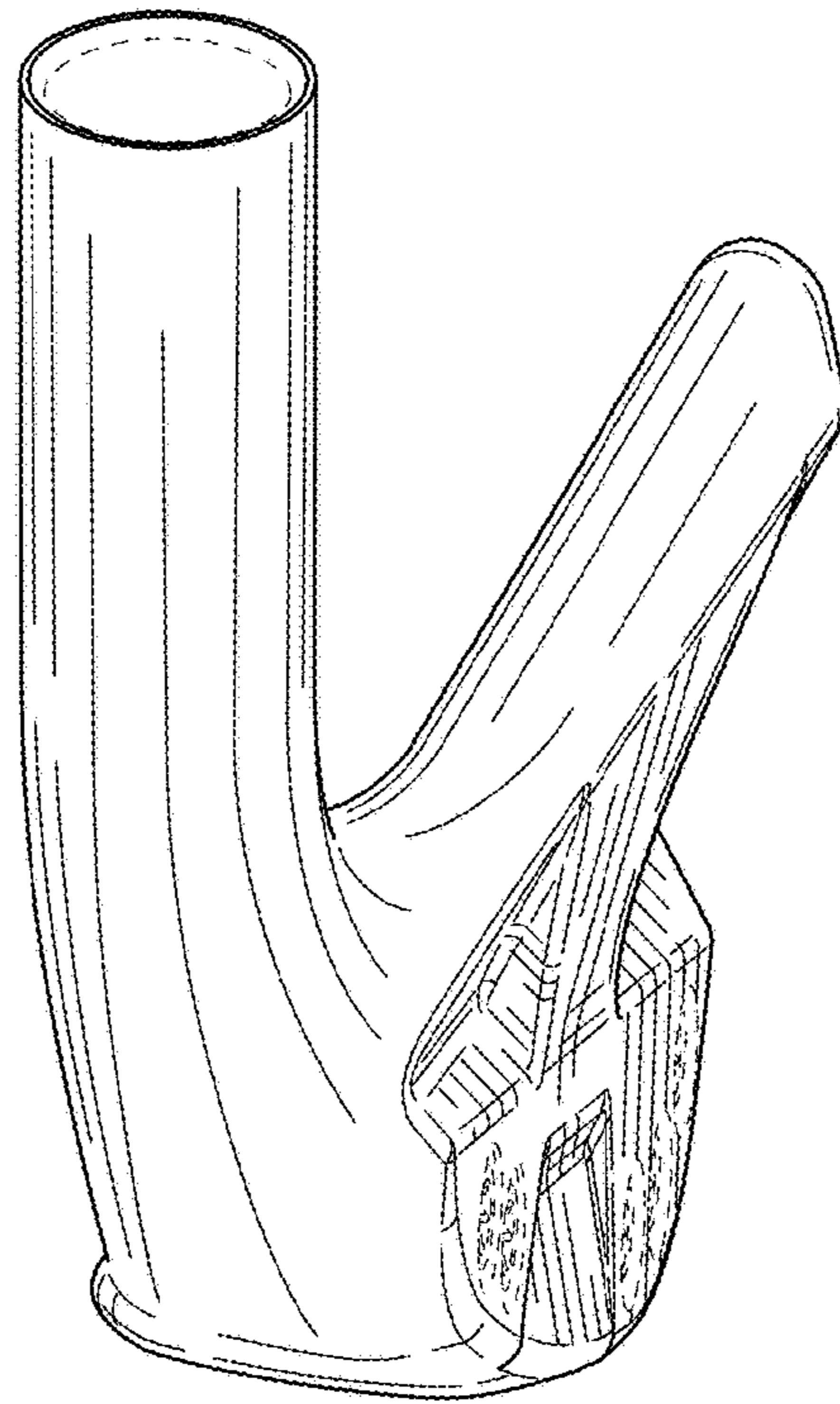


FIG. 15



FIG. 16

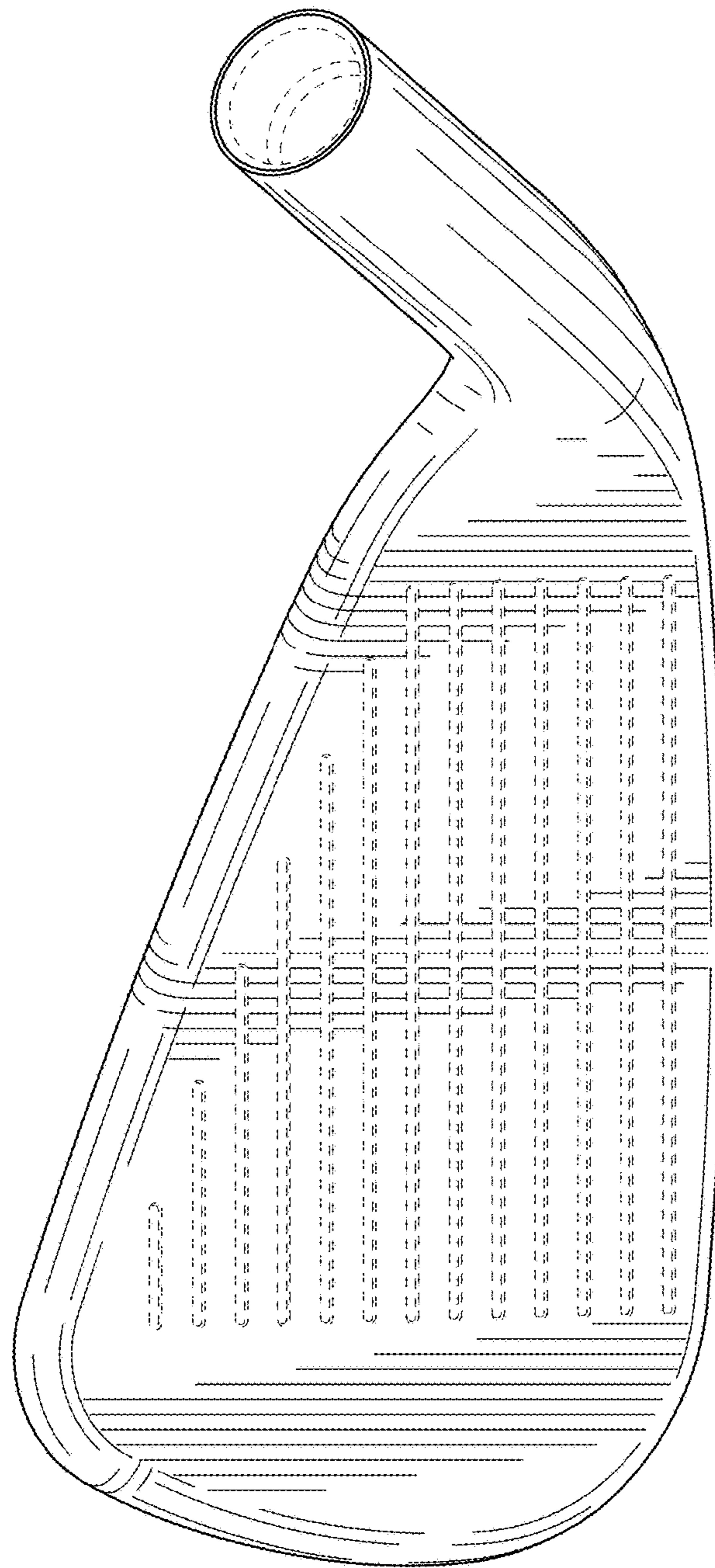


FIG. 17

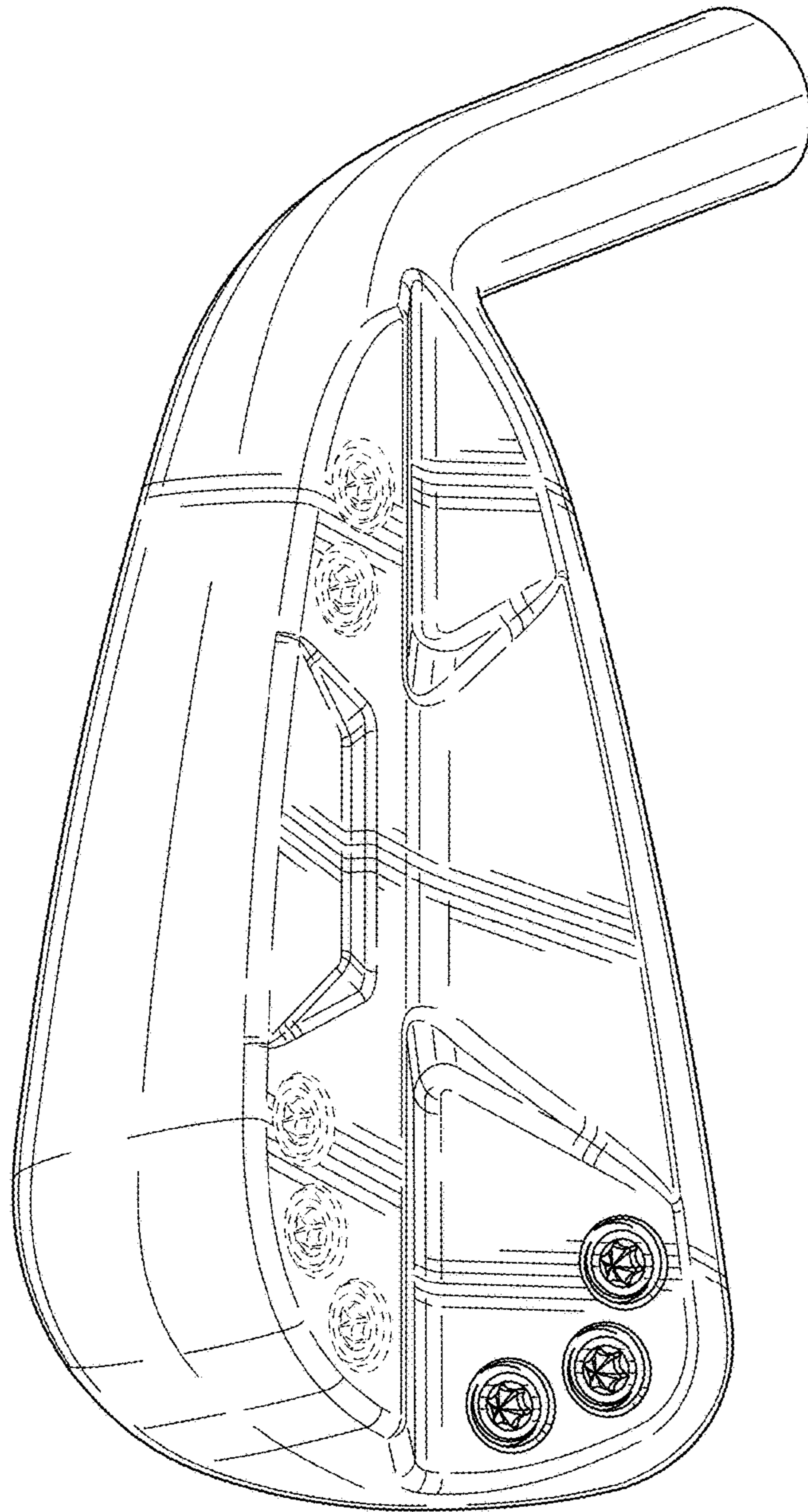


FIG. 18

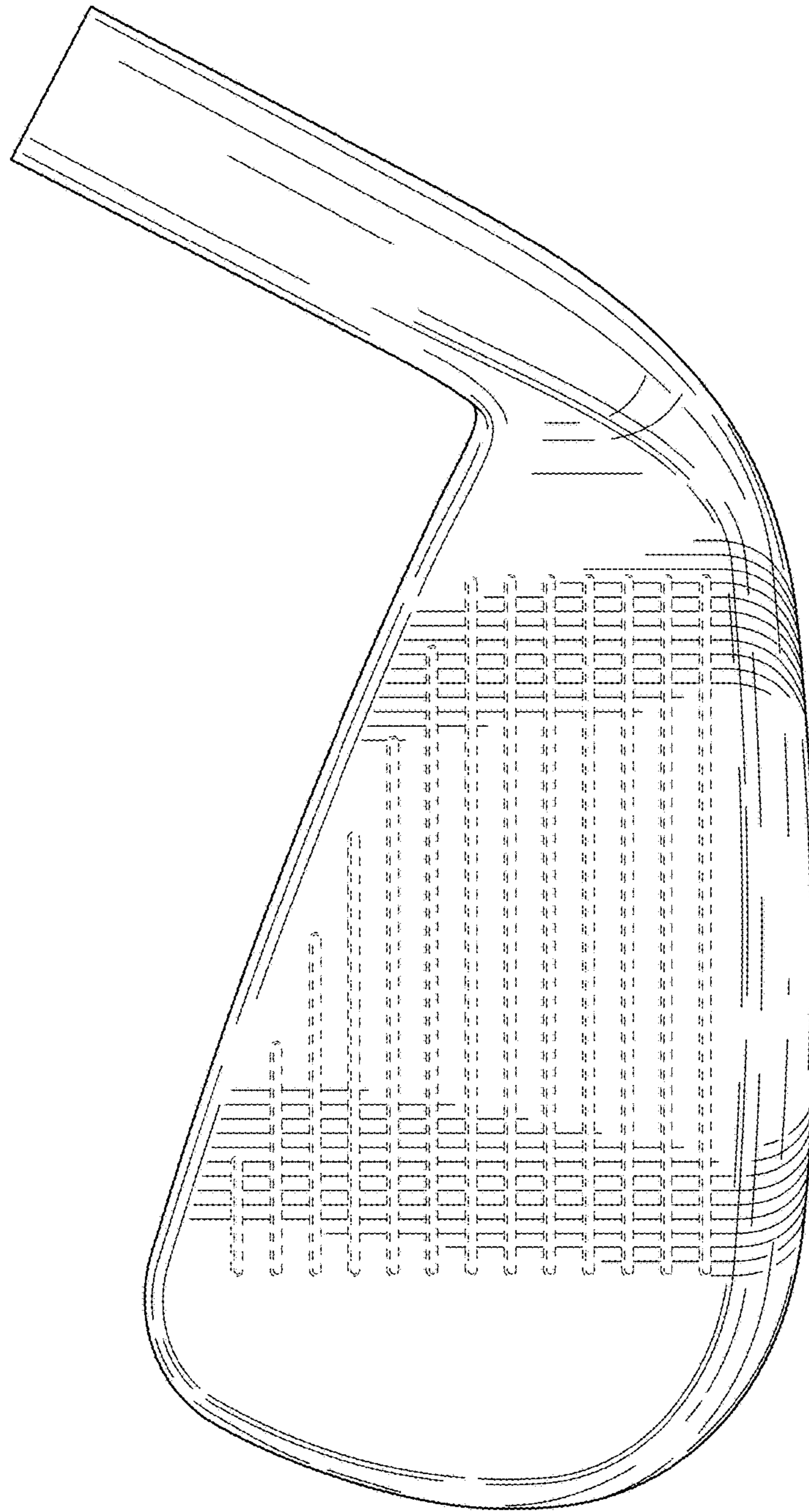


FIG. 19

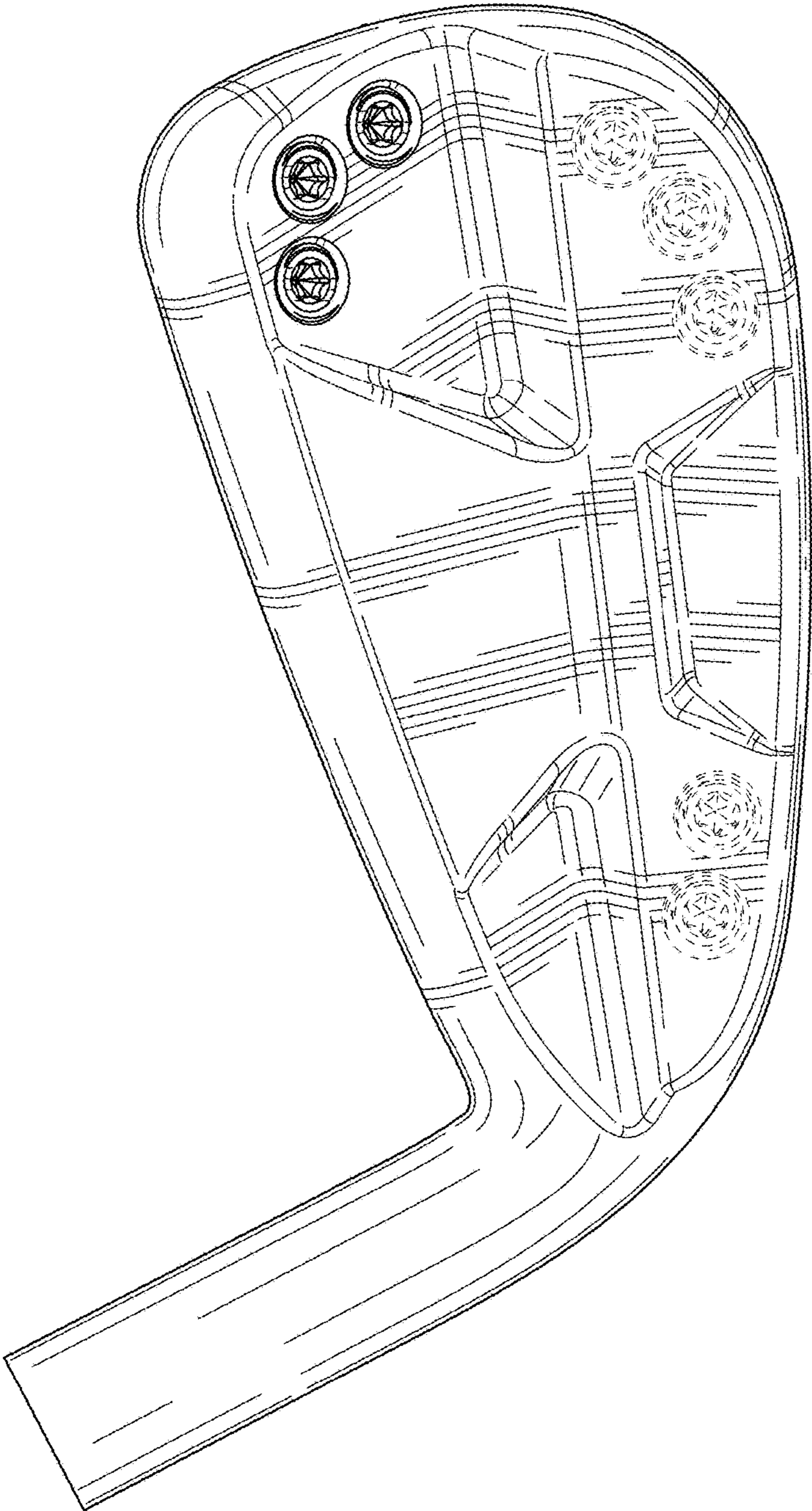


FIG. 20



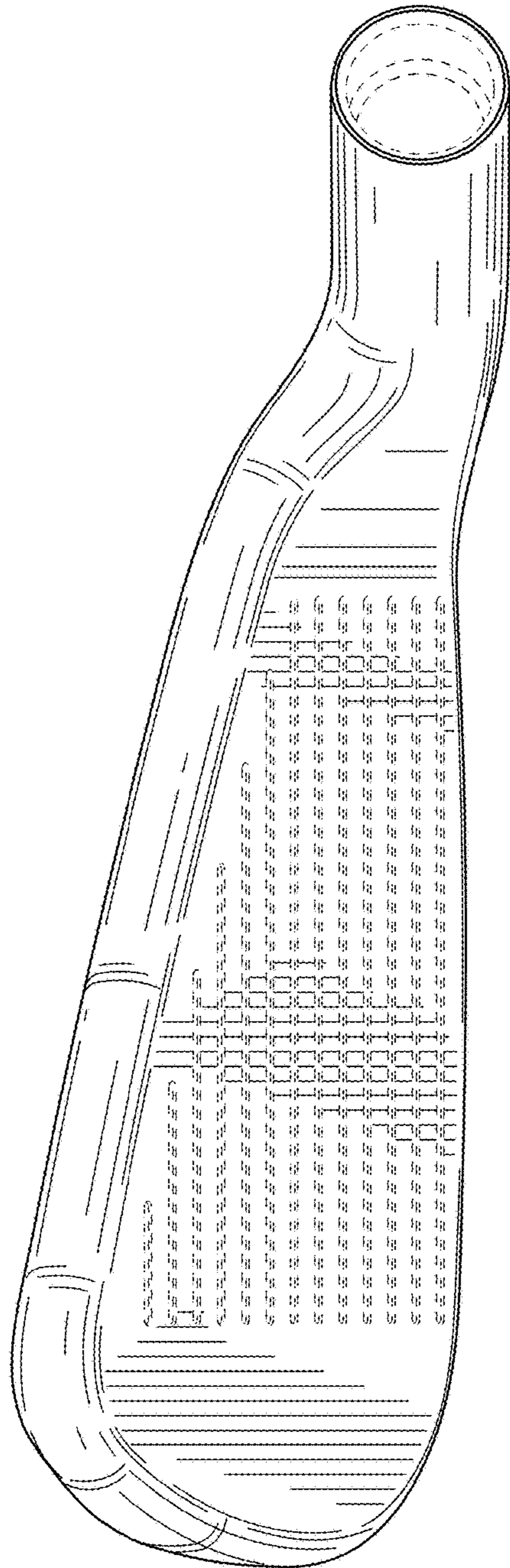


FIG. 21

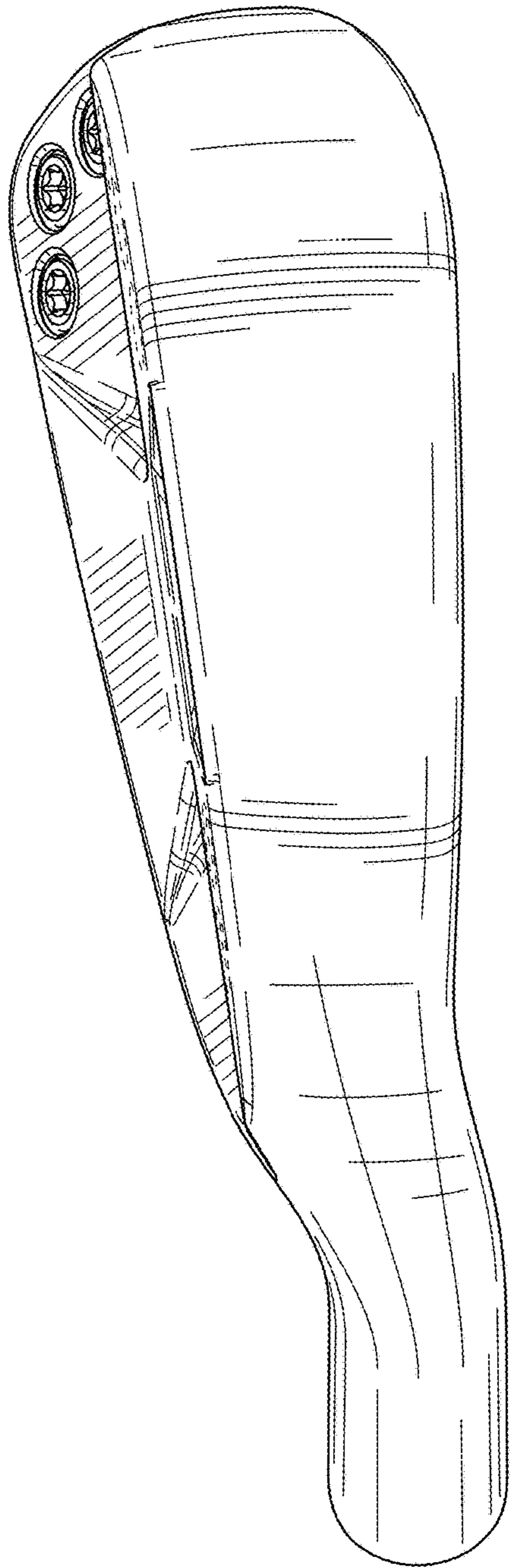


FIG. 22

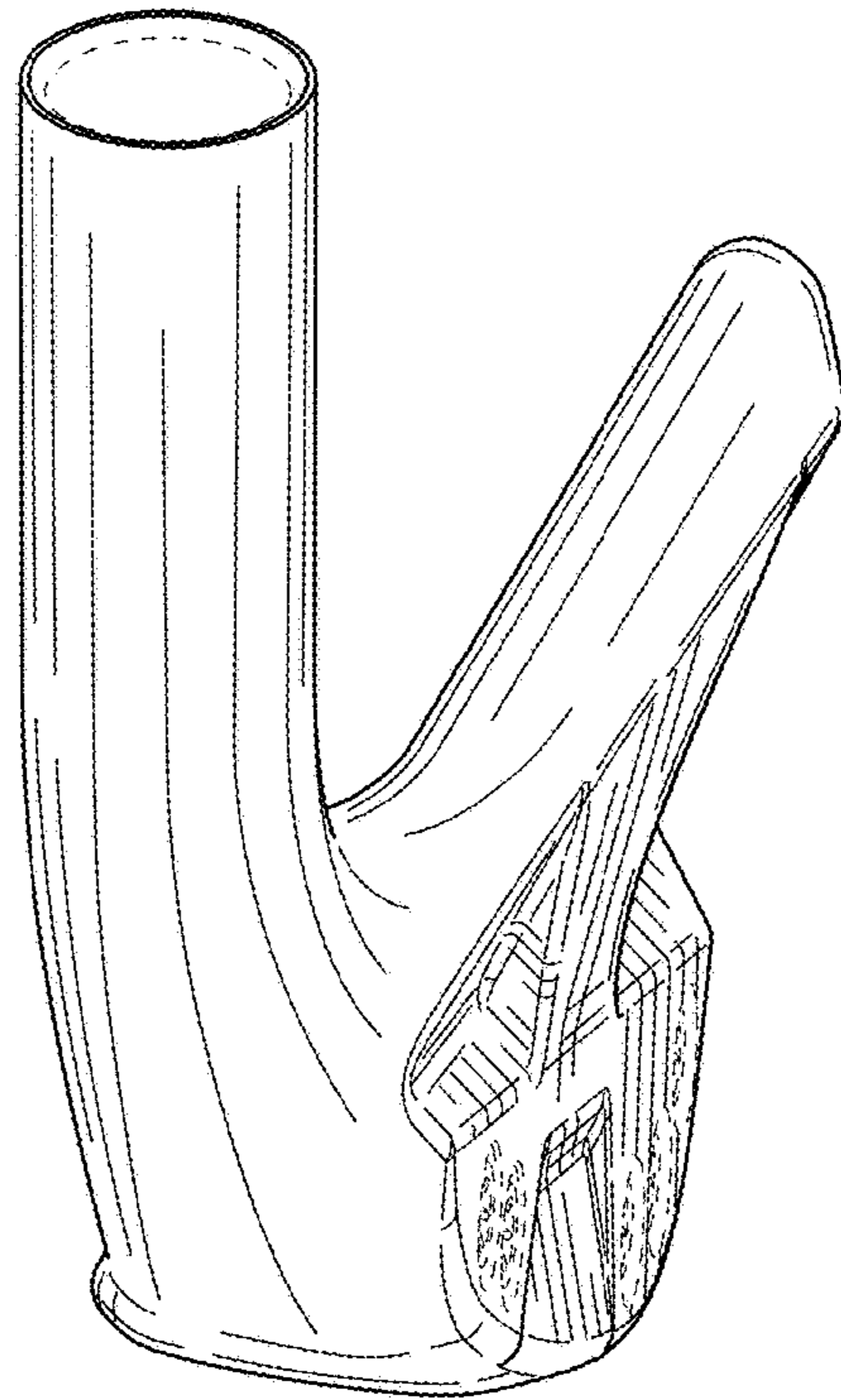


FIG. 23



FIG. 24

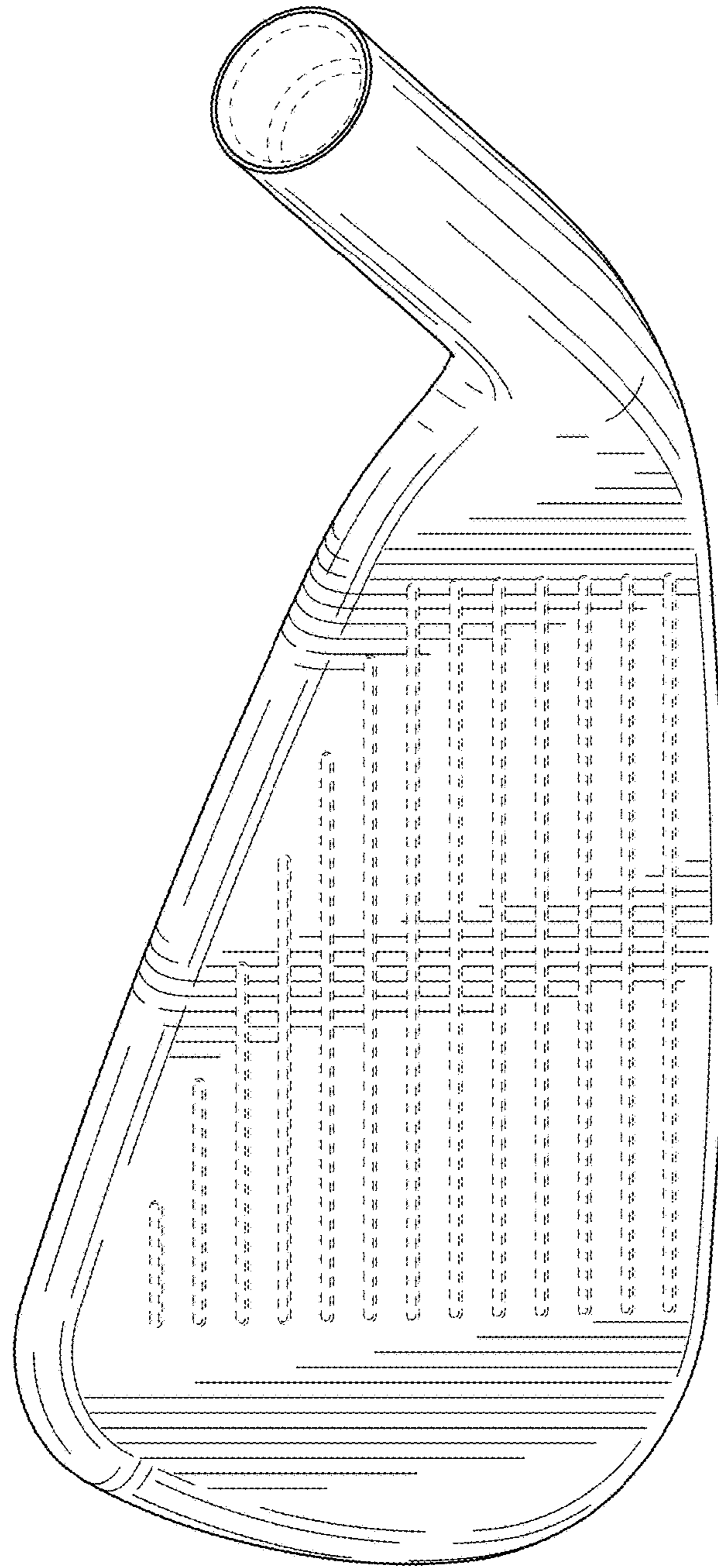


FIG. 25

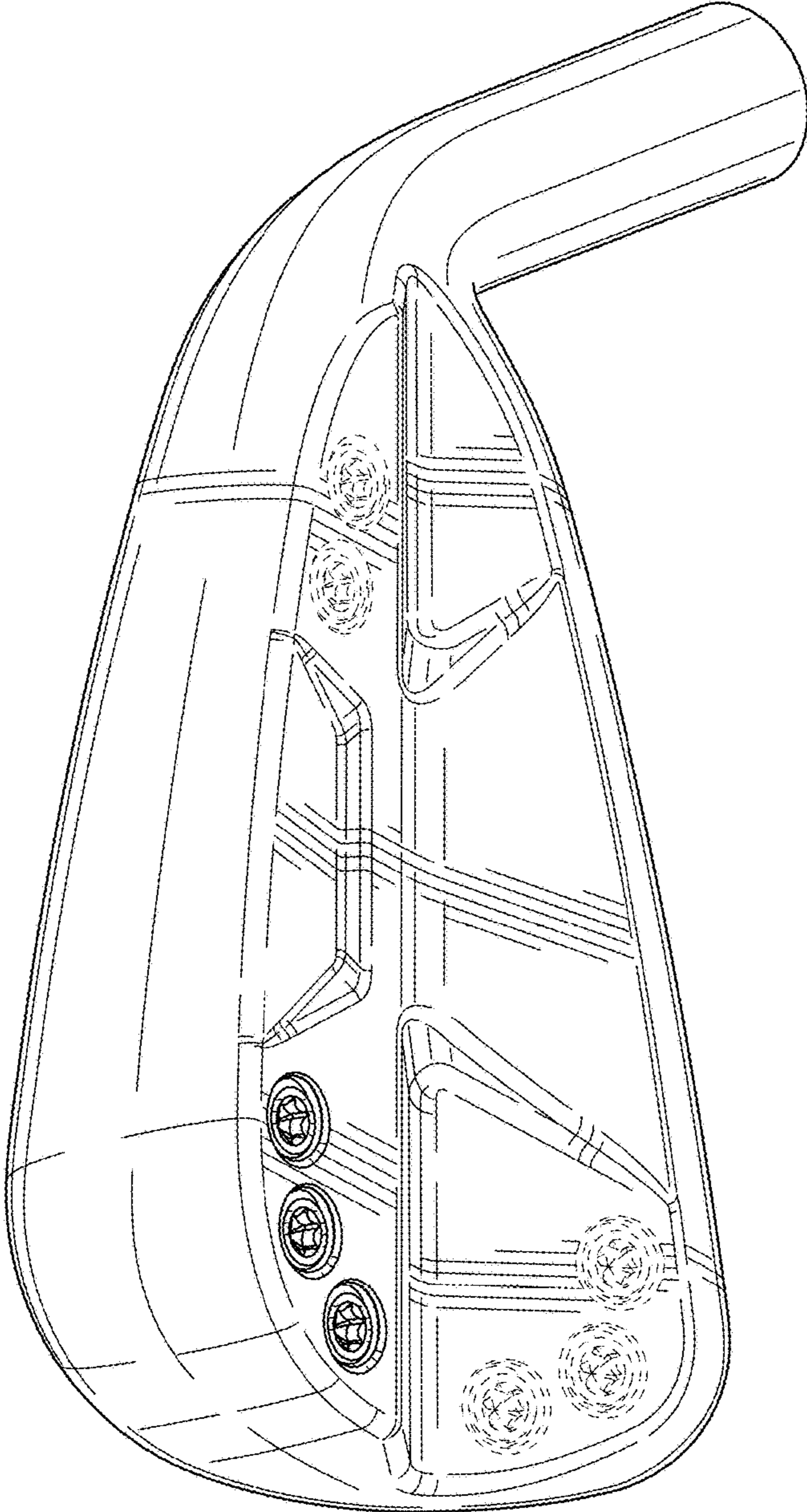


FIG. 26

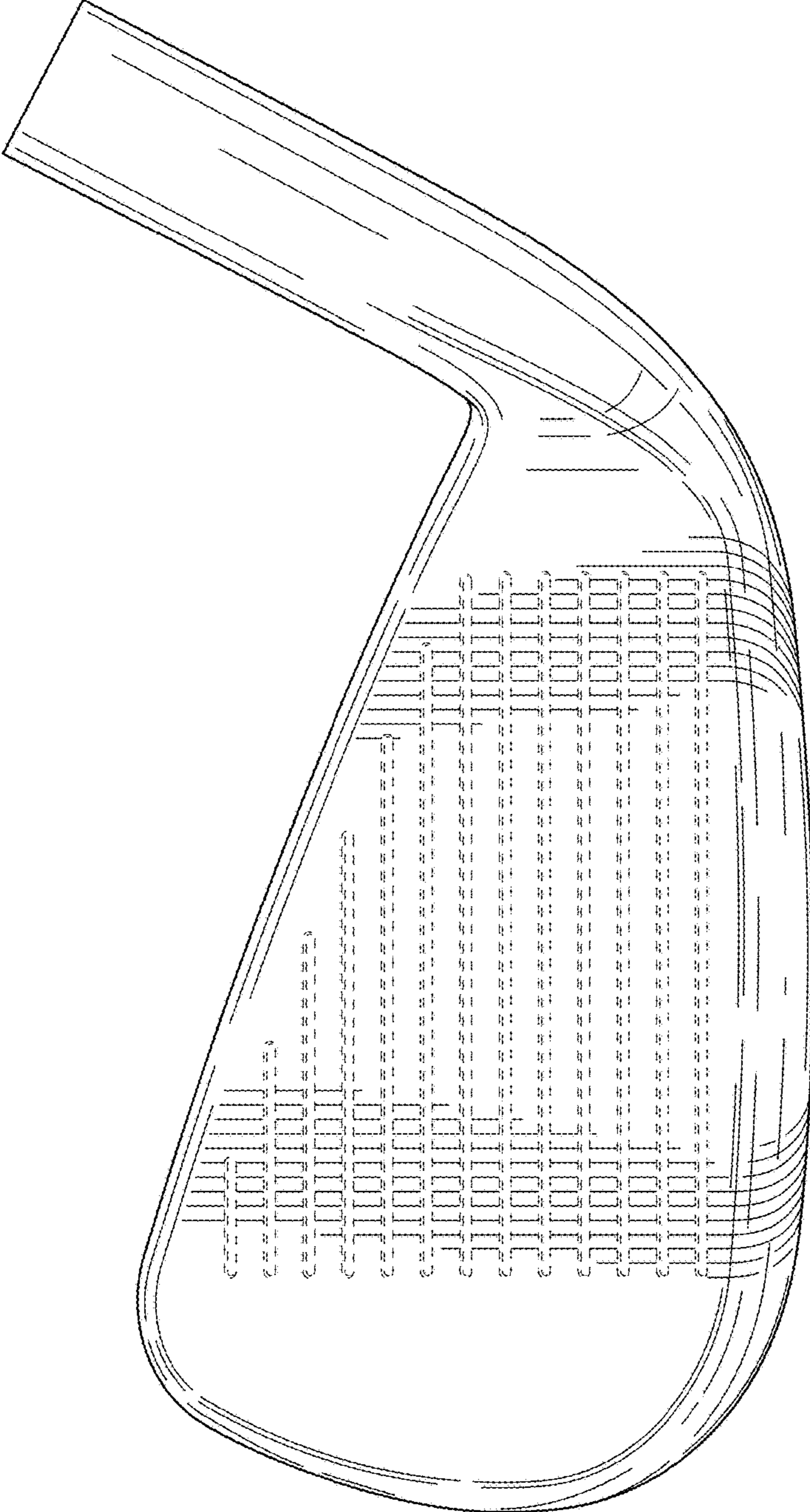


FIG. 27

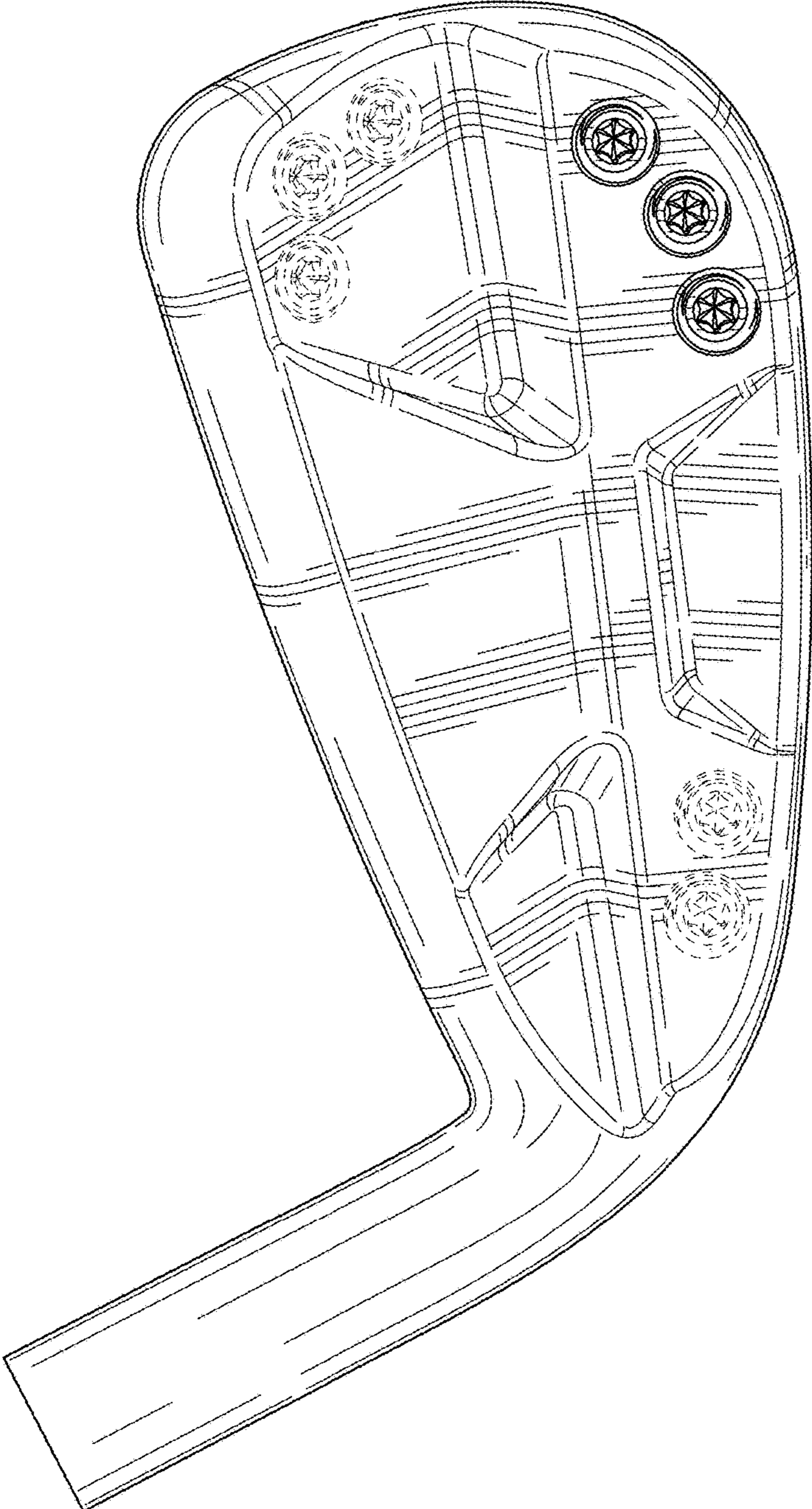


FIG. 28



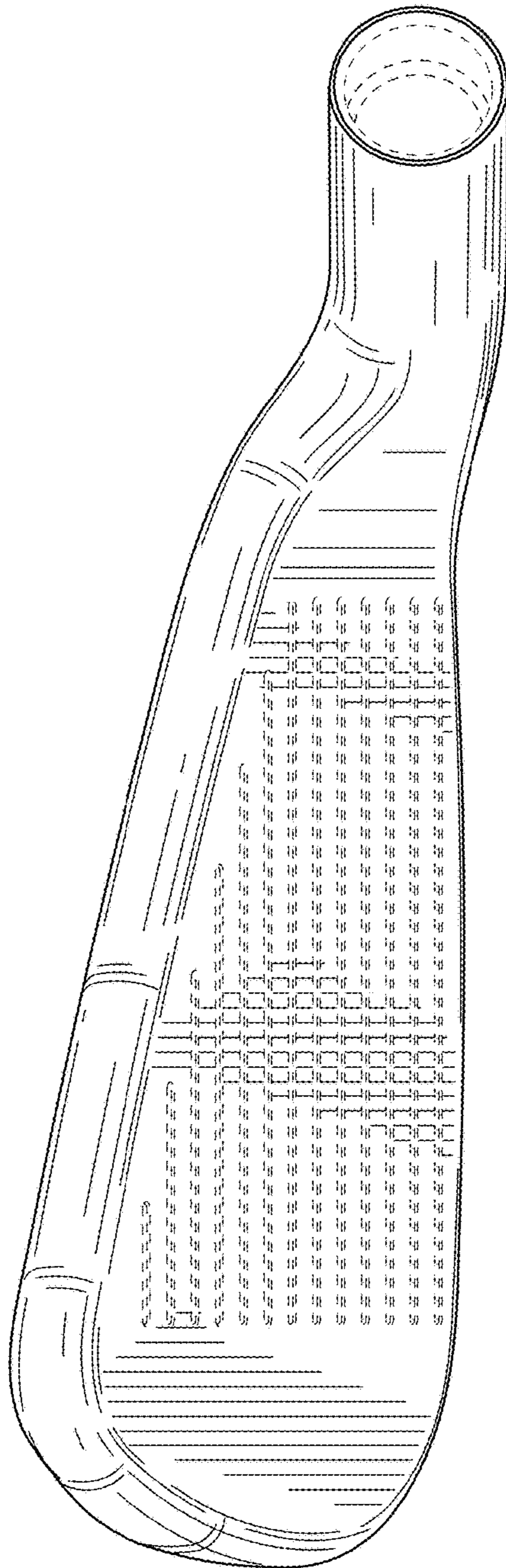


FIG. 29

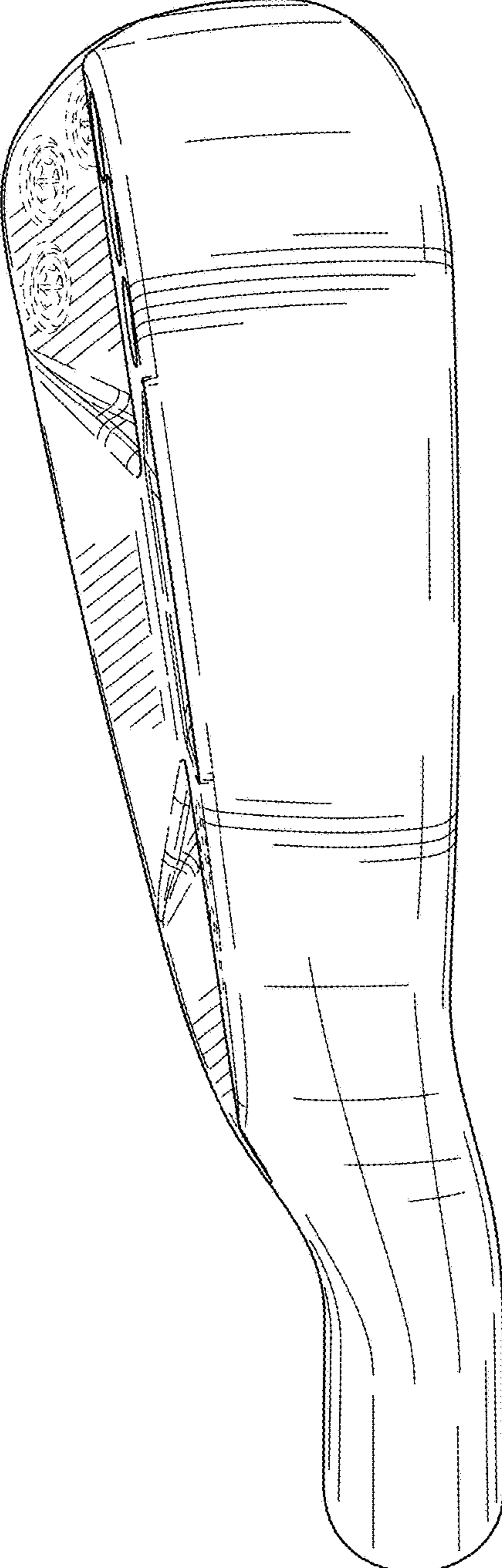


FIG. 30

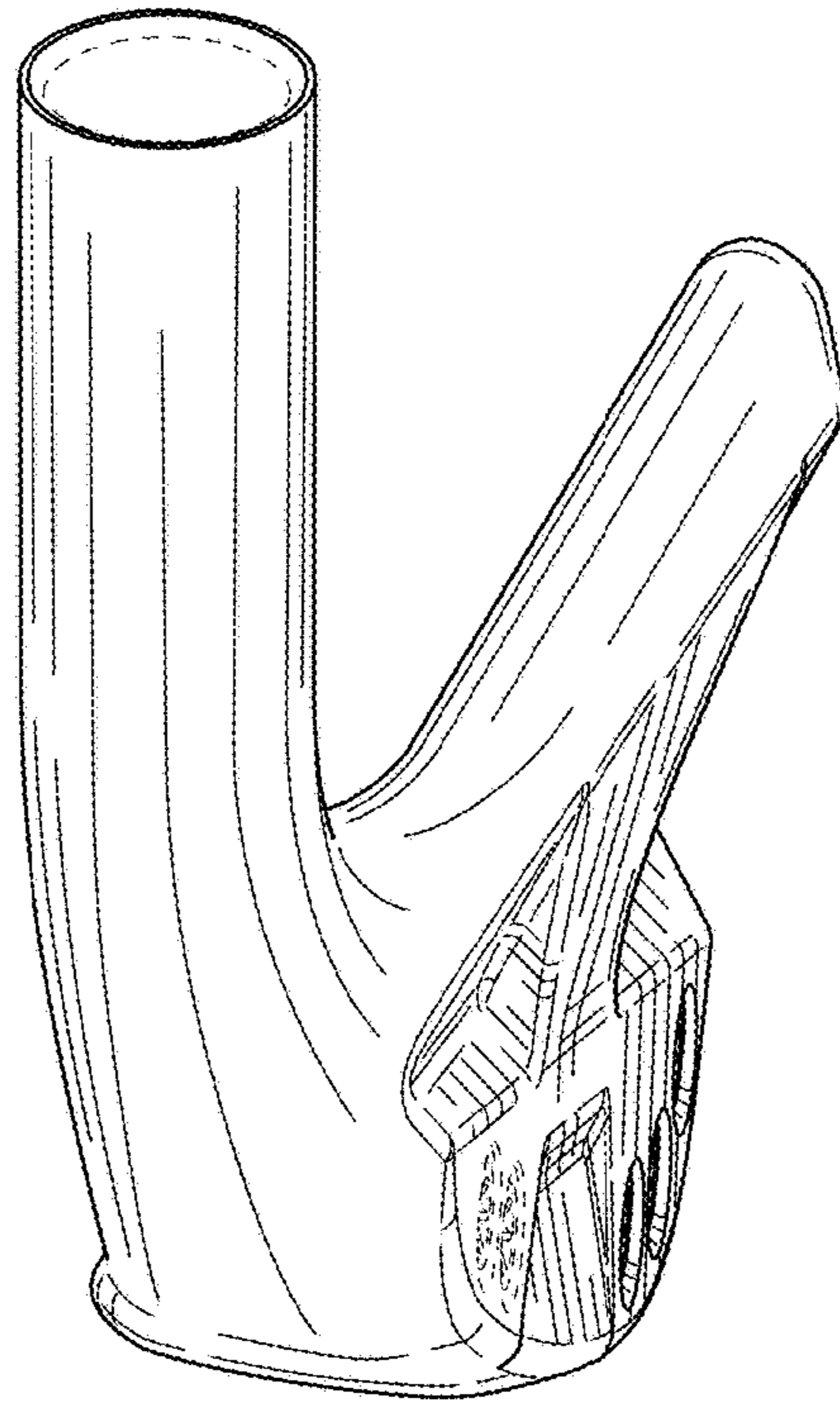


FIG. 31

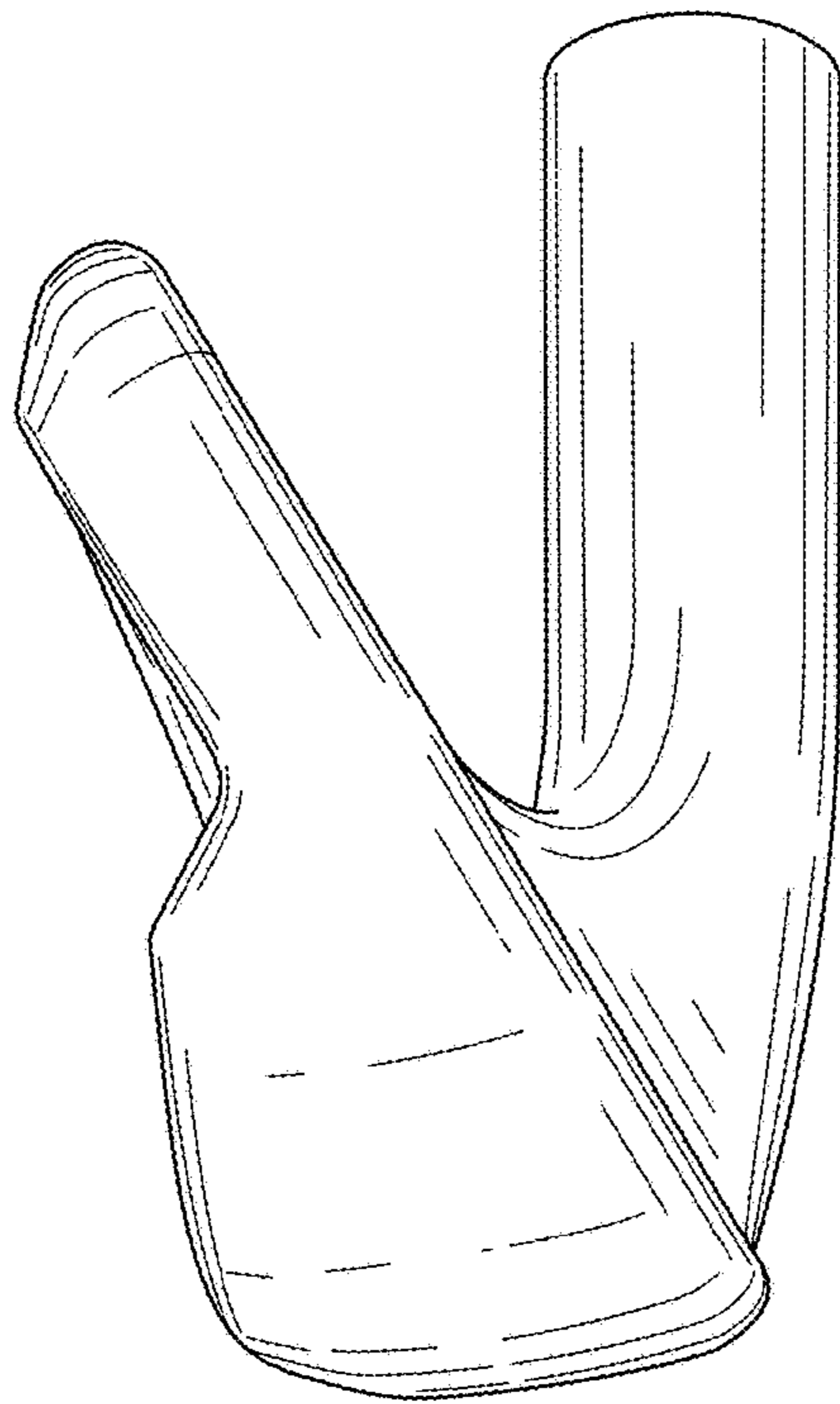


FIG. 32

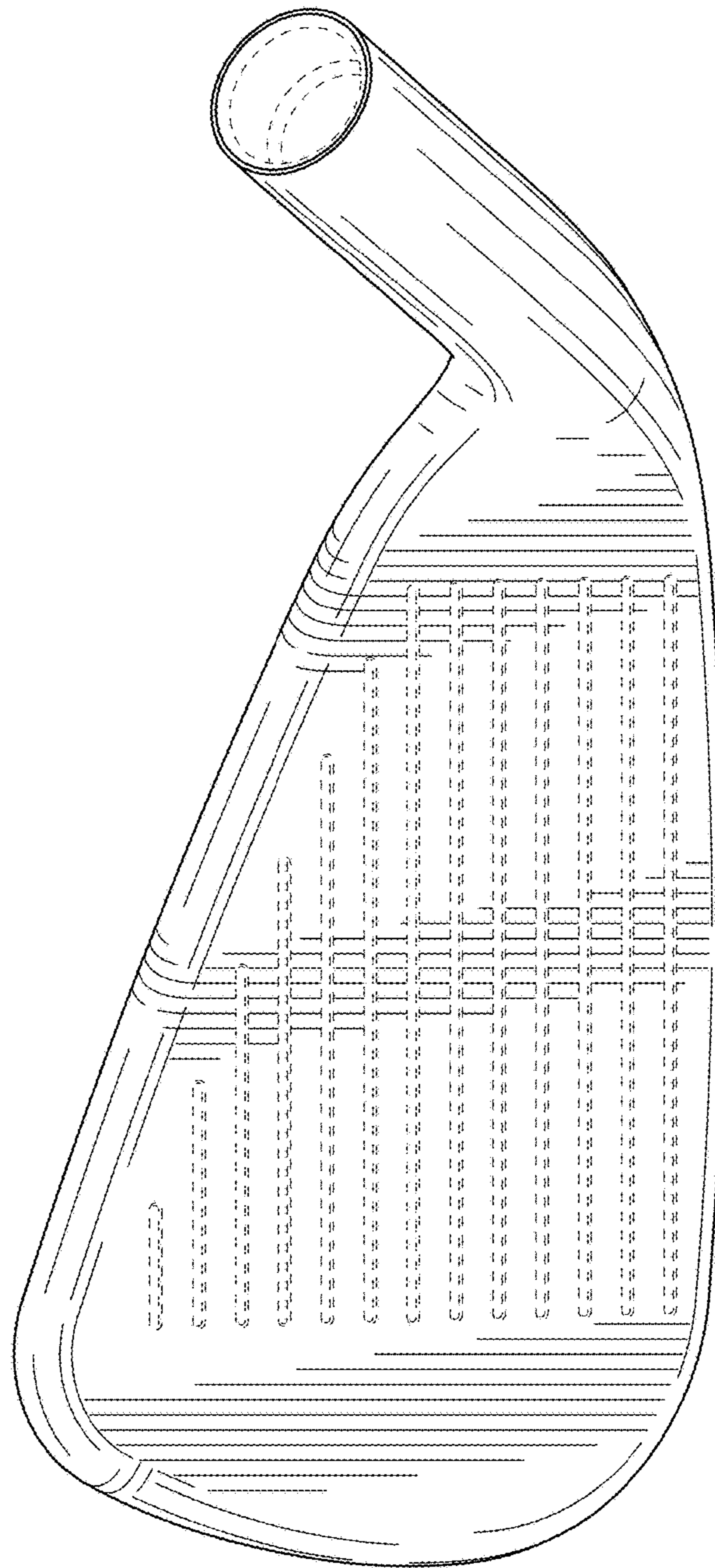


FIG. 33

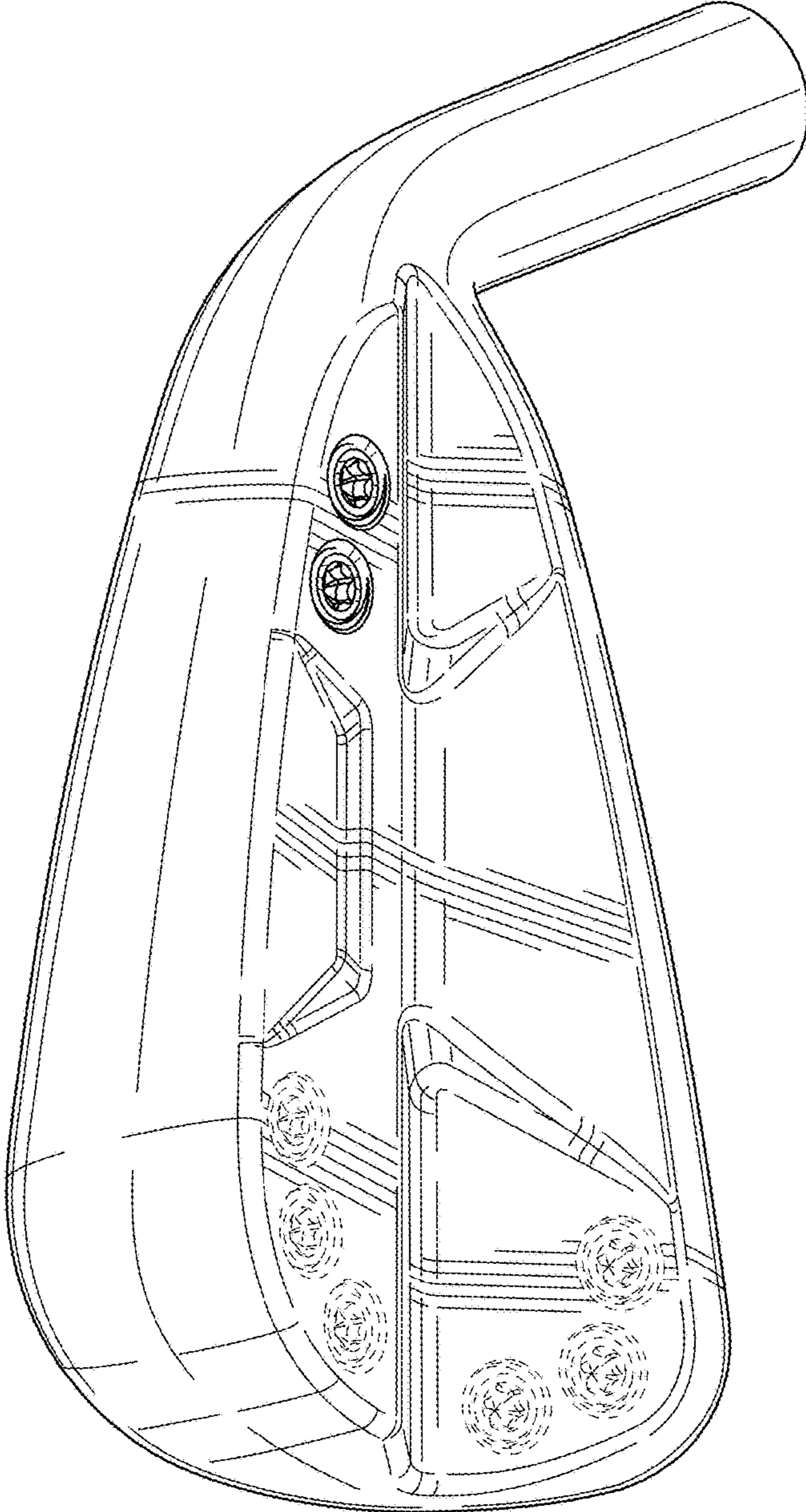


FIG. 34

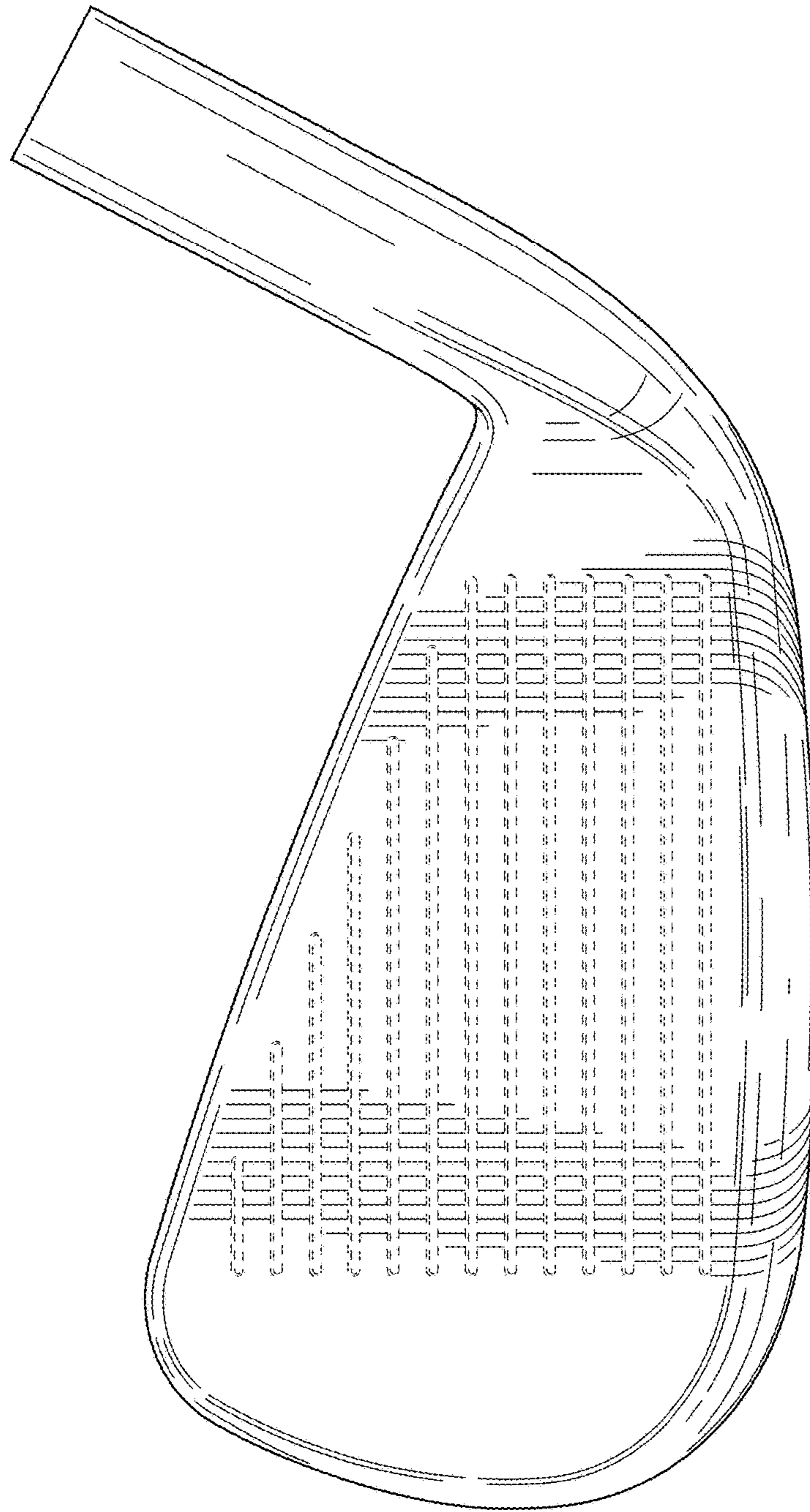


FIG. 35

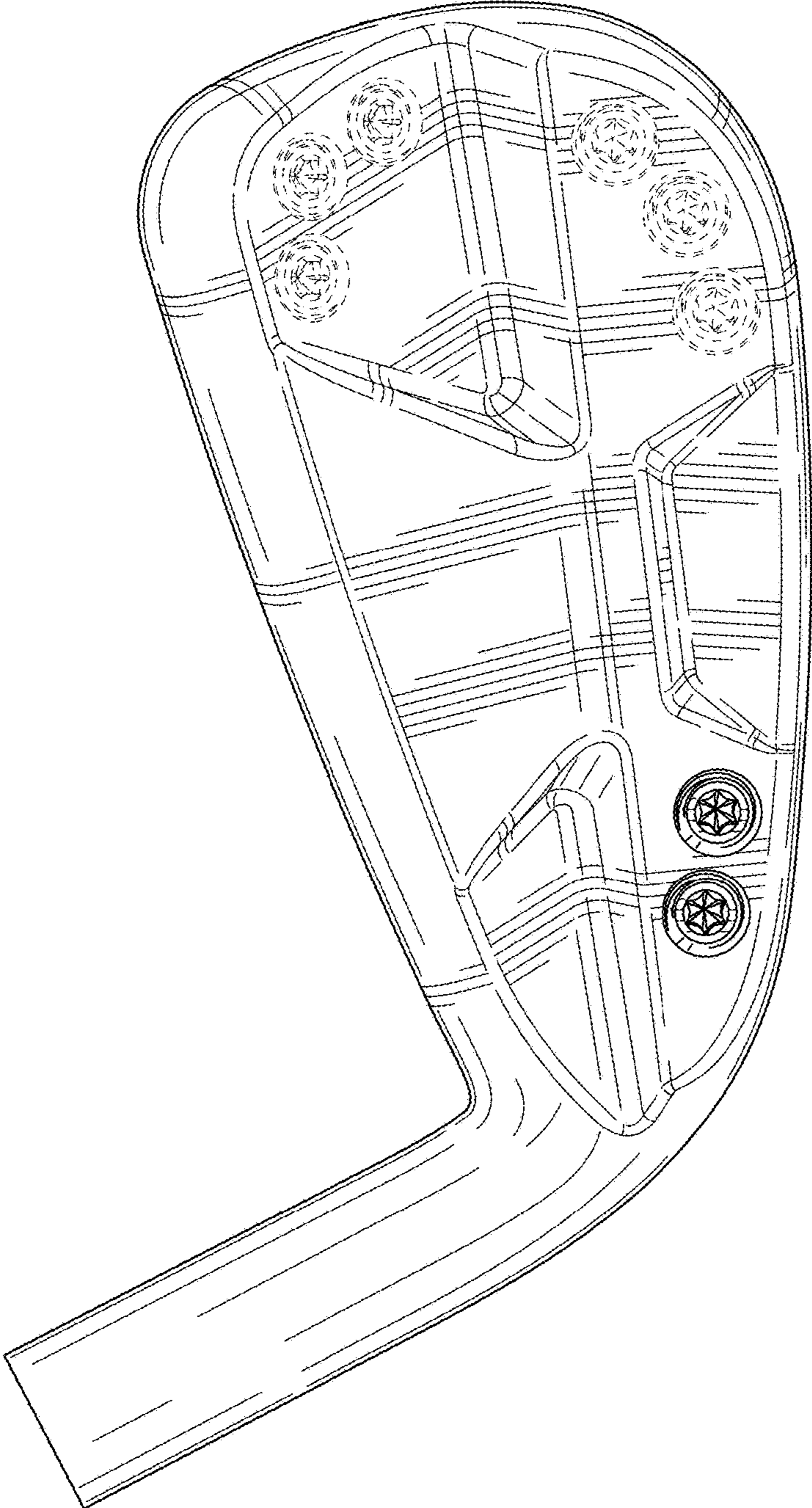


FIG. 36



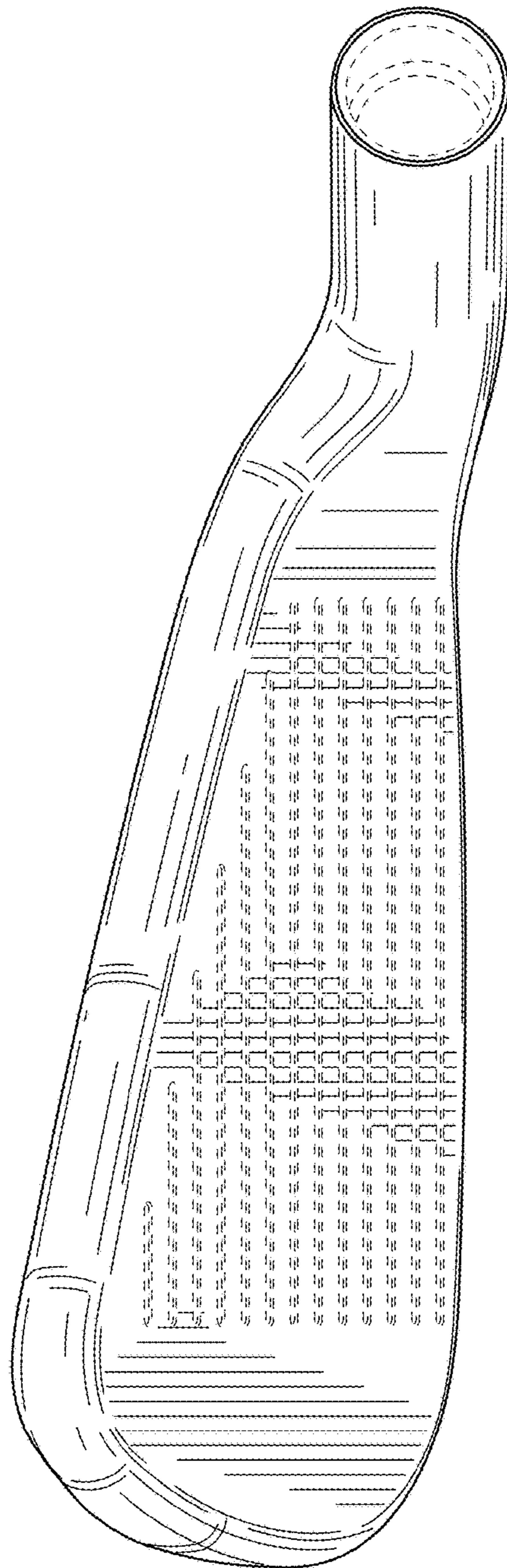


FIG. 37

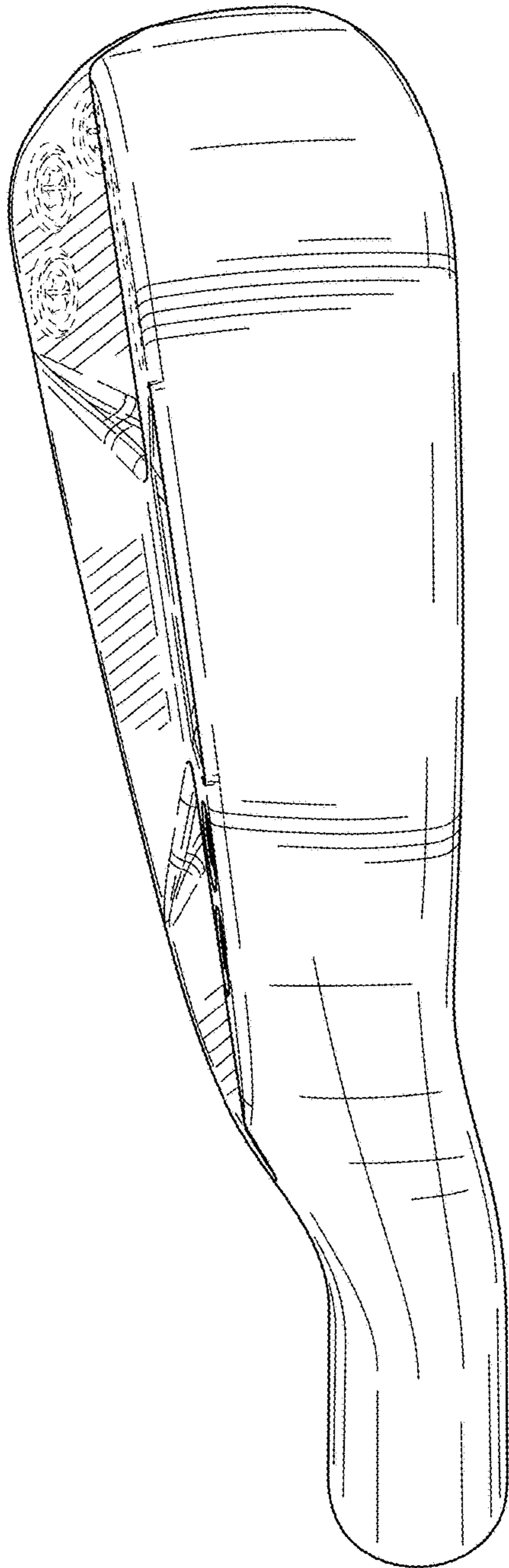


FIG. 38

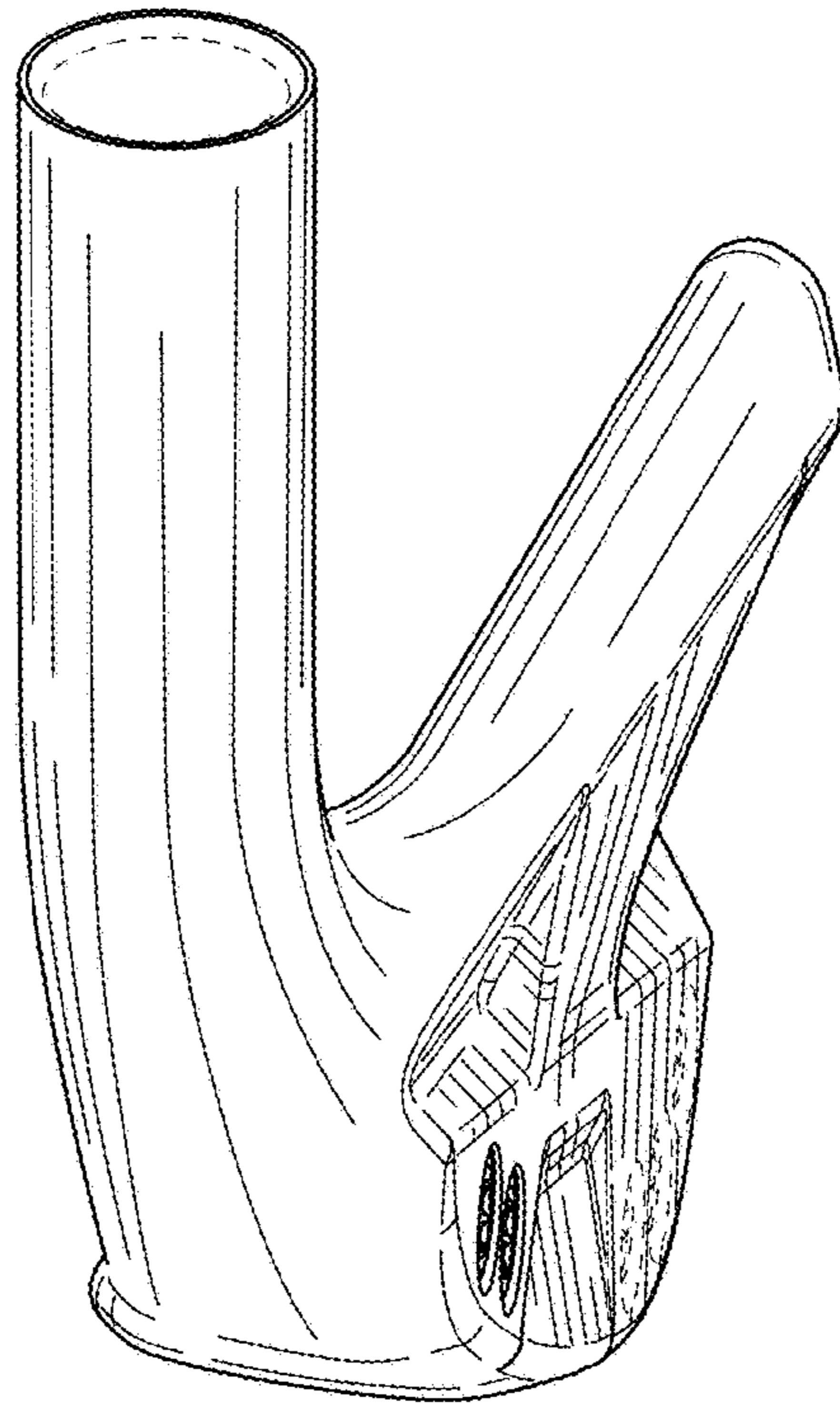


FIG. 39

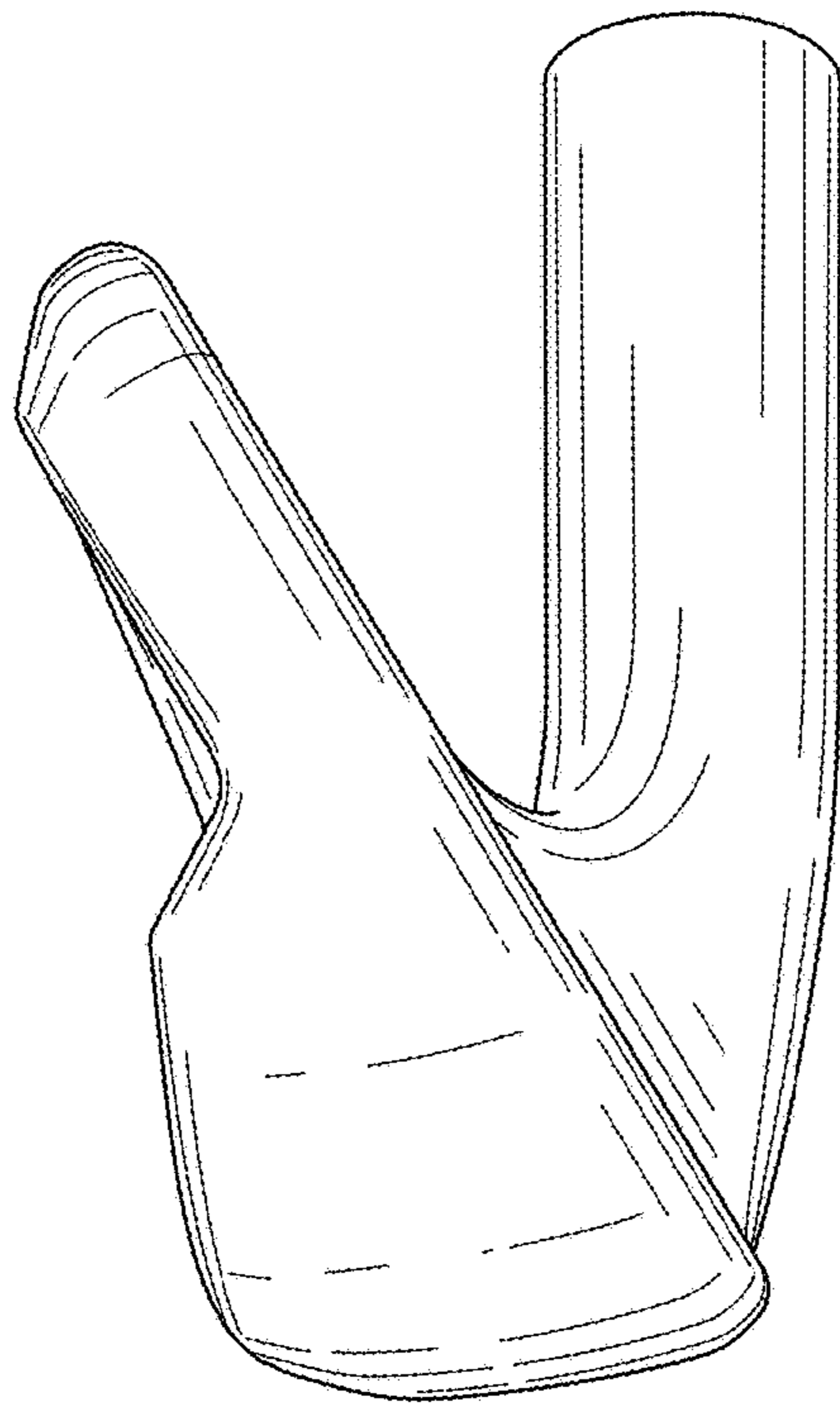


FIG. 40