



US00D852301S

(12) **United States Design Patent**
Serrano

(10) **Patent No.:** **US D852,301 S**
(45) **Date of Patent:** **** Jun. 25, 2019**

- (54) **GOLF CLUB HEAD**
- (71) Applicant: **KARSTEN MANUFACTURING CORPORATION**, Phoenix, AZ (US)
- (72) Inventor: **Anthony D. Serrano**, Anthem, AZ (US)
- (73) Assignee: **Karsten Manufacturing Corporation**, Phoenix, AZ (US)
- (**) Term: **15 Years**
- (21) Appl. No.: **29/640,313**
- (22) Filed: **Mar. 13, 2018**
- (51) **LOC (11) Cl.** **21-02**
- (52) **U.S. Cl.**
USPC **D21/743**
- (58) **Field of Classification Search**
USPC D21/736-746
CPC A63B 53/00; A63B 53/04; A63B 53/007;
A63B 53/065; A63B 53/0487; A63B
60/00; A63B 60/46
See application file for complete search history.

- D548,294 S 8/2007 Nguyen et al.
- D565,678 S 4/2008 Cameron
- D574,906 S 8/2008 Jones et al.
- D574,909 S 8/2008 Jones et al.
- D574,911 S 8/2008 Jones et al.
- D583,887 S * 12/2008 Cameron D21/743
- D590,462 S 4/2009 Hettinger et al.

(Continued)

Primary Examiner — Mitchell I. Siegel

(57) **CLAIM**

The ornamental design for a golf club head, as shown and described.

DESCRIPTION

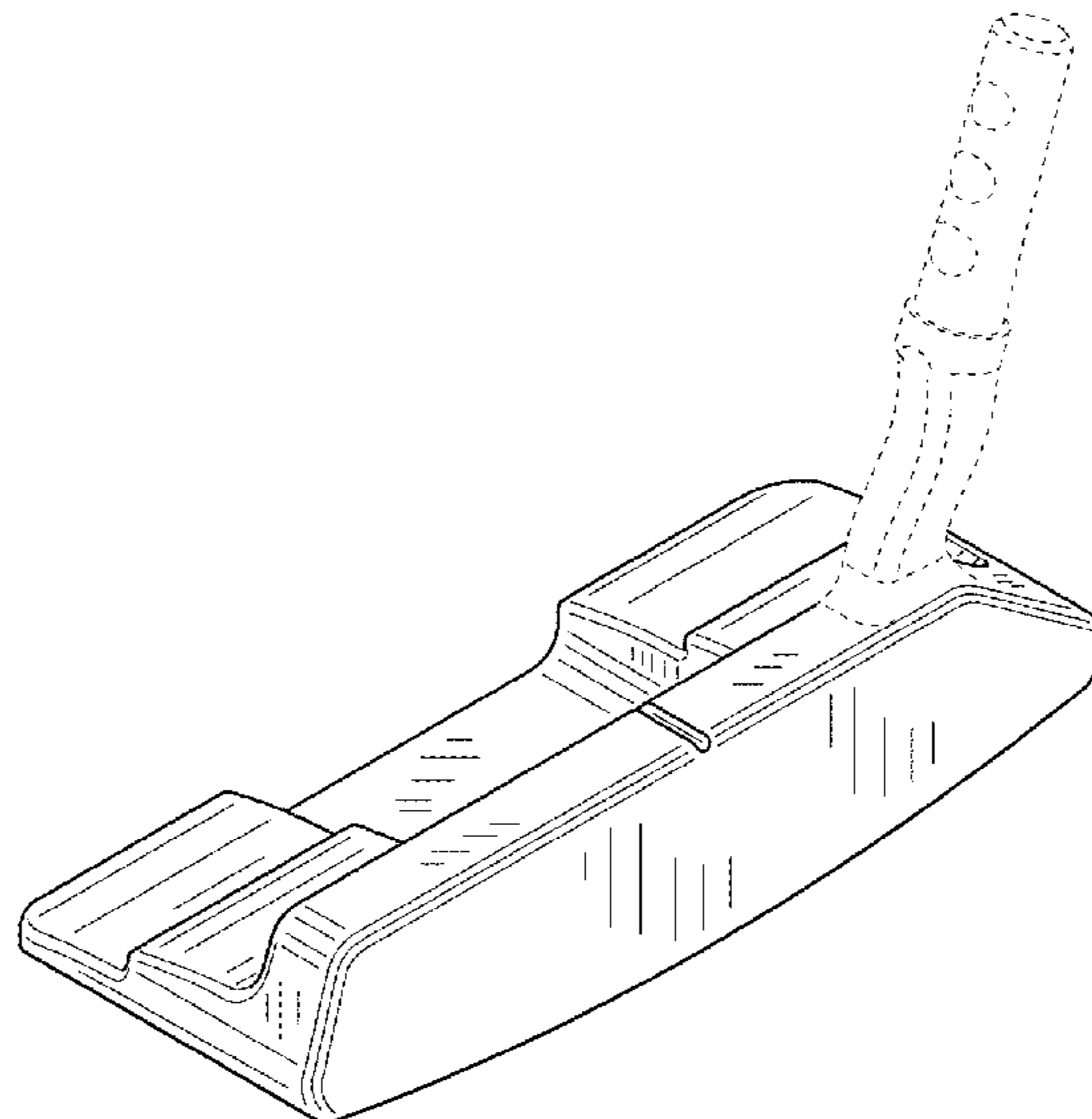
FIG. 1 is a top perspective view of a golf club head;
 FIG. 2 is a bottom perspective view of the golf club head of FIG. 1;
 FIG. 3 is a top view of the golf club head of FIG. 1;
 FIG. 4 is a bottom view of the golf club head of FIG. 1;
 FIG. 5 is a front view of the golf club head of FIG. 1;
 FIG. 6 is a rear view of the golf club head of FIG. 1;
 FIG. 7 is a heel side view of the golf club head of FIG. 1;
 FIG. 8 is a toe side view of the golf club head of FIG. 1;
 FIG. 9 is a top perspective view of another embodiment of a golf club head;
 FIG. 10 is a bottom perspective view of the golf club head of FIG. 9;
 FIG. 11 is a top view of the golf club head of FIG. 9;
 FIG. 12 is a bottom view of the golf club head of FIG. 9;
 FIG. 13 is a front view of the golf club head of FIG. 9;
 FIG. 14 is a rear view of the golf club head of FIG. 9;
 FIG. 15 is a heel side view of the golf club head of FIG. 9;
 and,
 FIG. 16 is a toe side view of the golf club head of FIG. 9.
 The broken line showing of is included for the purpose of illustrating unclaimed subject matter and forms no part of the claimed design.

(56) **References Cited**

U.S. PATENT DOCUMENTS

- D207,227 S 3/1967 Solheim
- D239,951 S 5/1976 Carrier
- D334,959 S 4/1993 Inuma et al.
- D394,689 S * 5/1998 Sheets D21/743
- D402,721 S 12/1998 Gurrola
- D483,823 S 12/2003 Swist
- D485,320 S 1/2004 Breier et al.
- D498,276 S 11/2004 Schweigert et al.
- D524,887 S 7/2006 Jones et al.
- D525,328 S 7/2006 Solheim et al.
- D525,329 S 7/2006 Jones et al.
- D531,241 S 10/2006 Hueber
- D535,712 S 1/2007 Torossian

1 Claim, 10 Drawing Sheets



(56)

References Cited

U.S. PATENT DOCUMENTS

D599,423	S	9/2009	Serrano et al.	
D638,892	S *	5/2011	Hettinger	D21/743
D650,456	S	12/2011	Tang et al.	
D688,339	S *	8/2013	Hilton	D21/736
D689,574	S *	9/2013	Rollinson	D21/743
D702,782	S	4/2014	Wempe et al.	
9,033,812	B2	5/2015	Solheim et al.	
D784,468	S *	4/2017	Rollinson	D21/743
D797,220	S *	9/2017	Serrano	D21/743
D837,315	S *	1/2019	Rollinson	D21/743

* cited by examiner

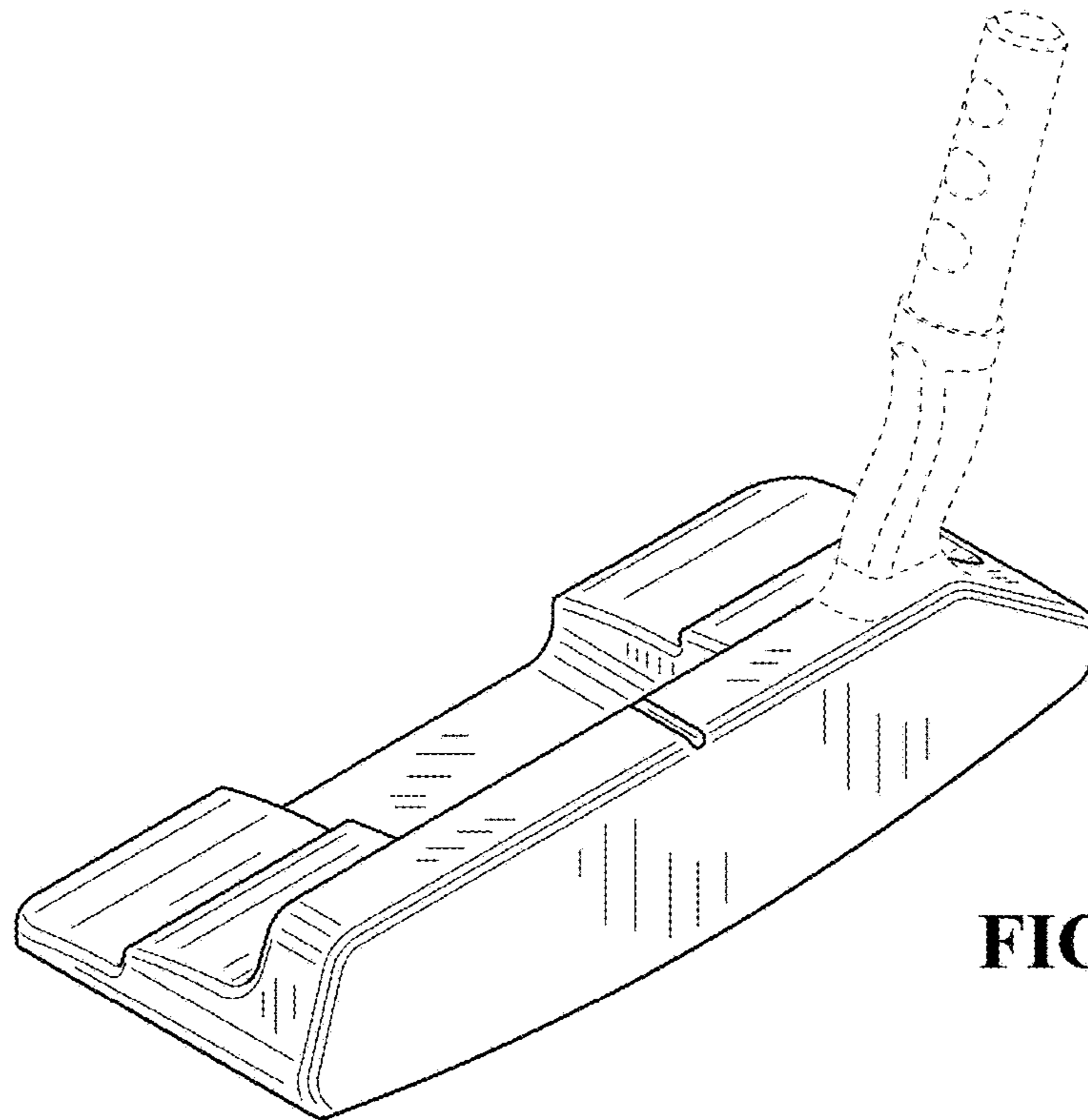


FIG.1

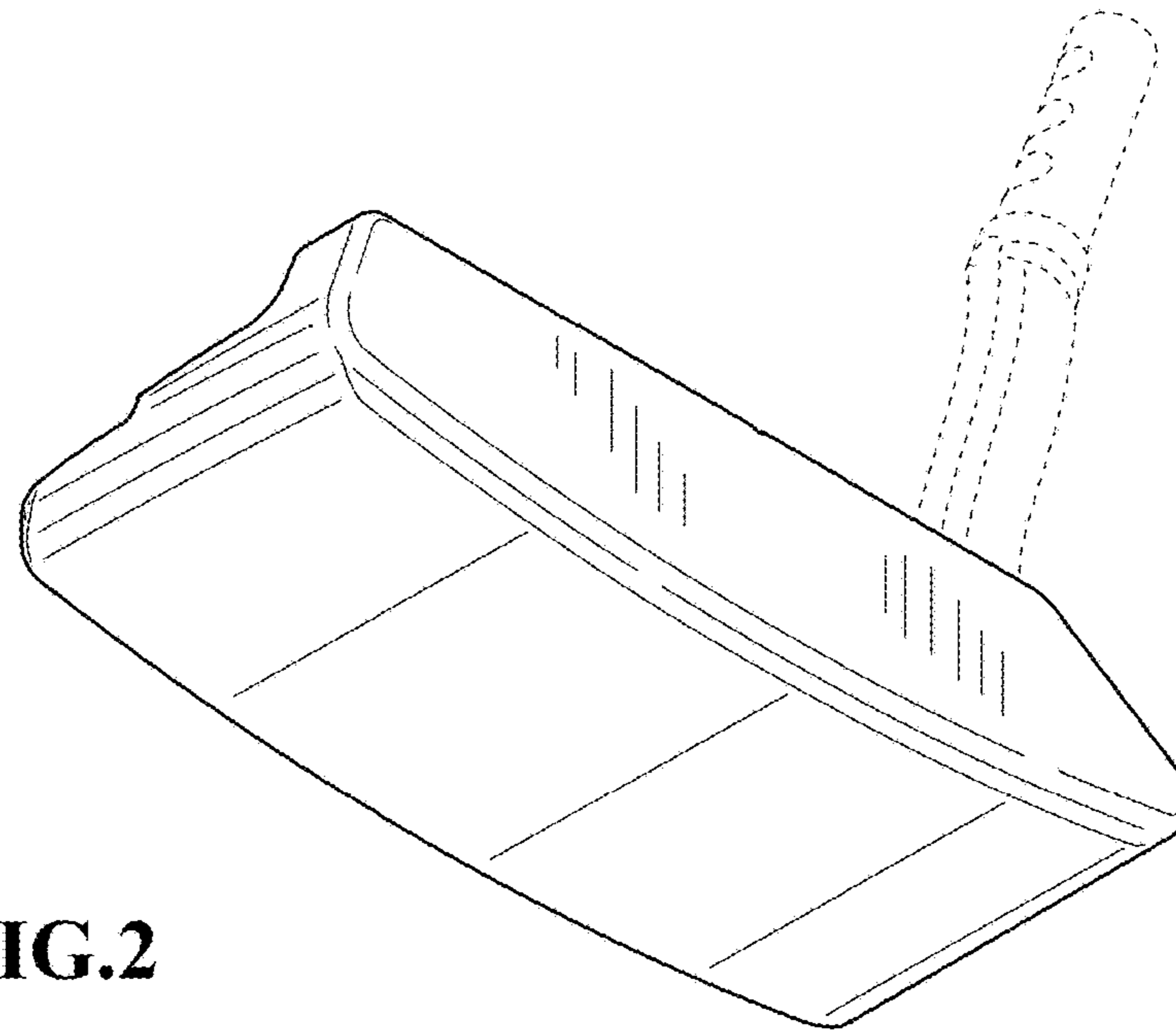


FIG.2

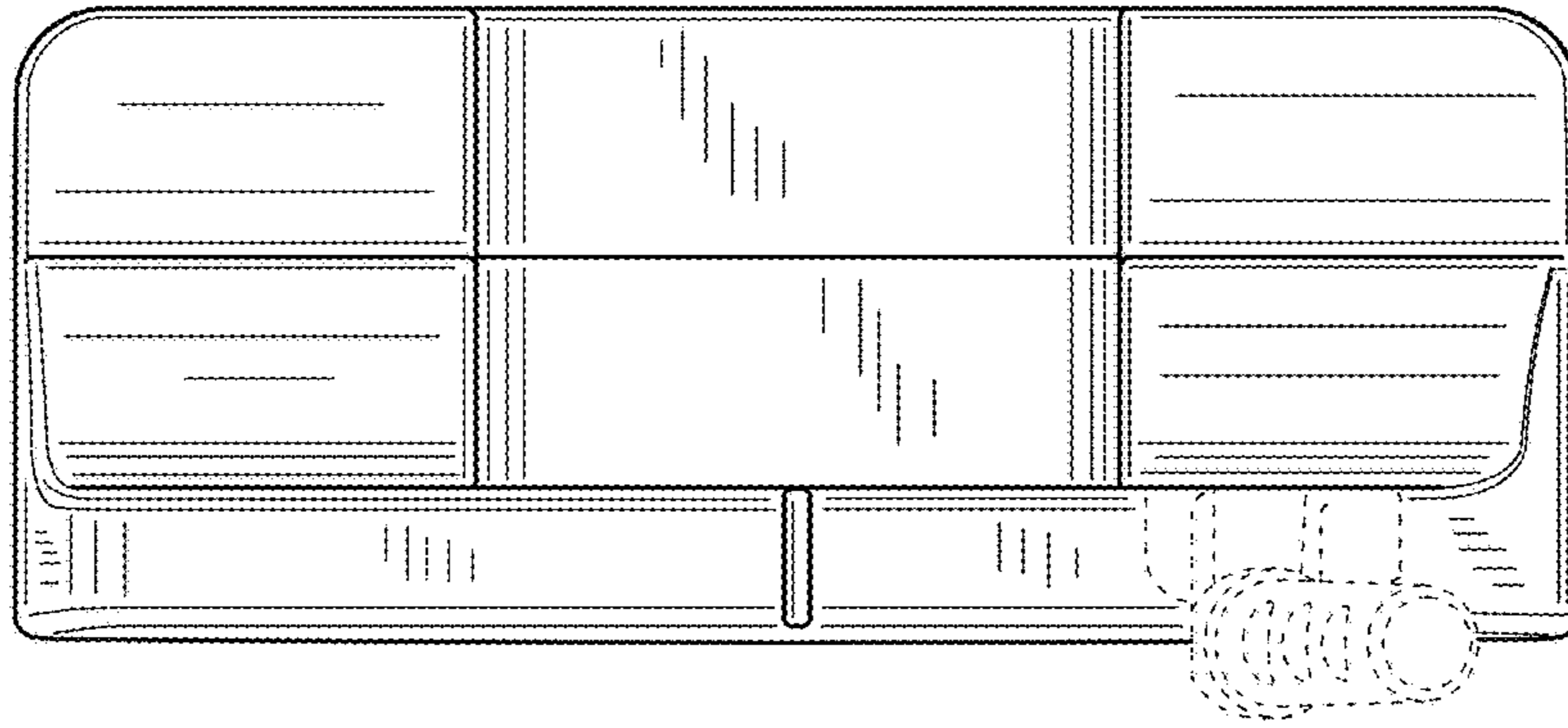


FIG.3

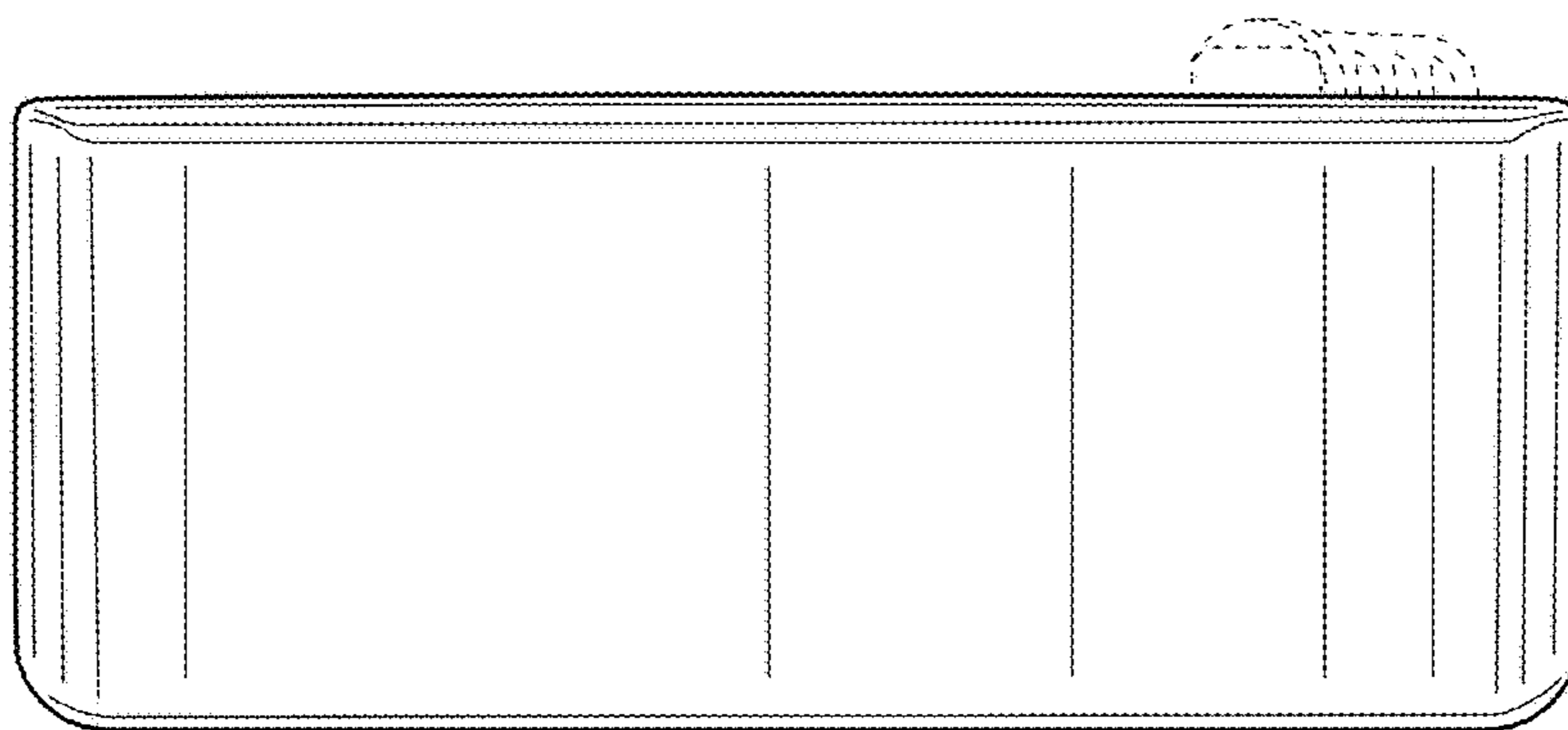


FIG.4

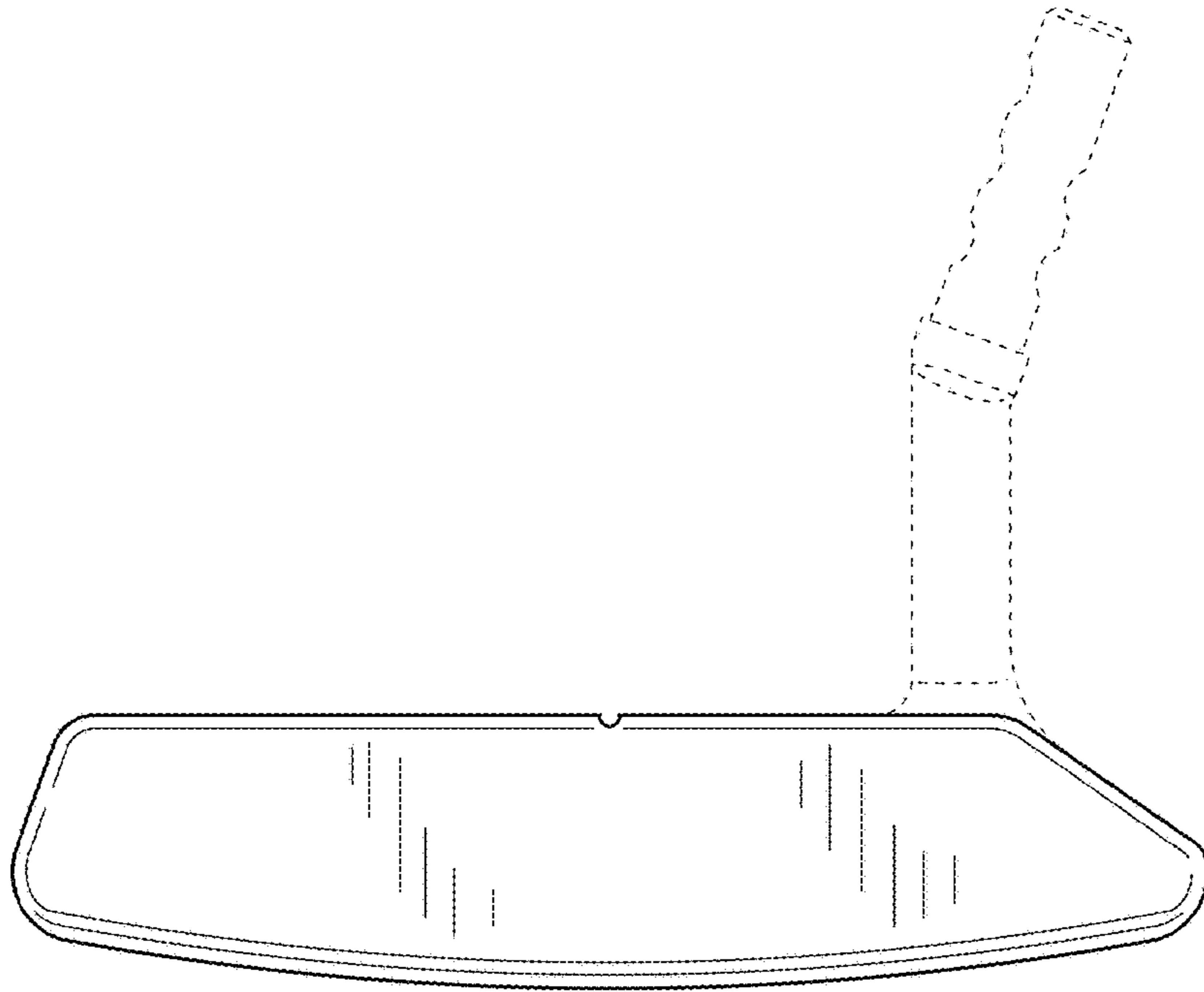


FIG.5

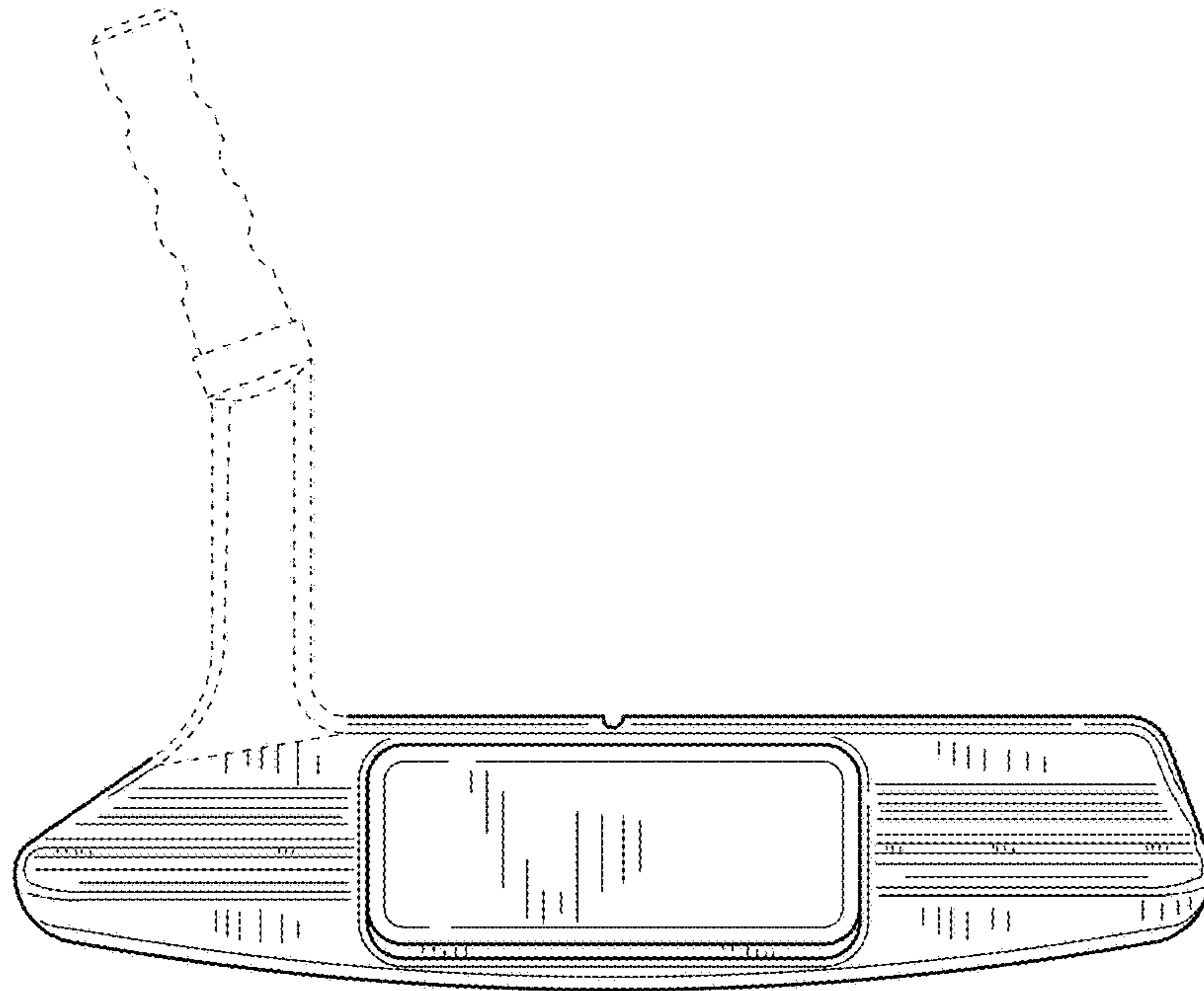


FIG.6

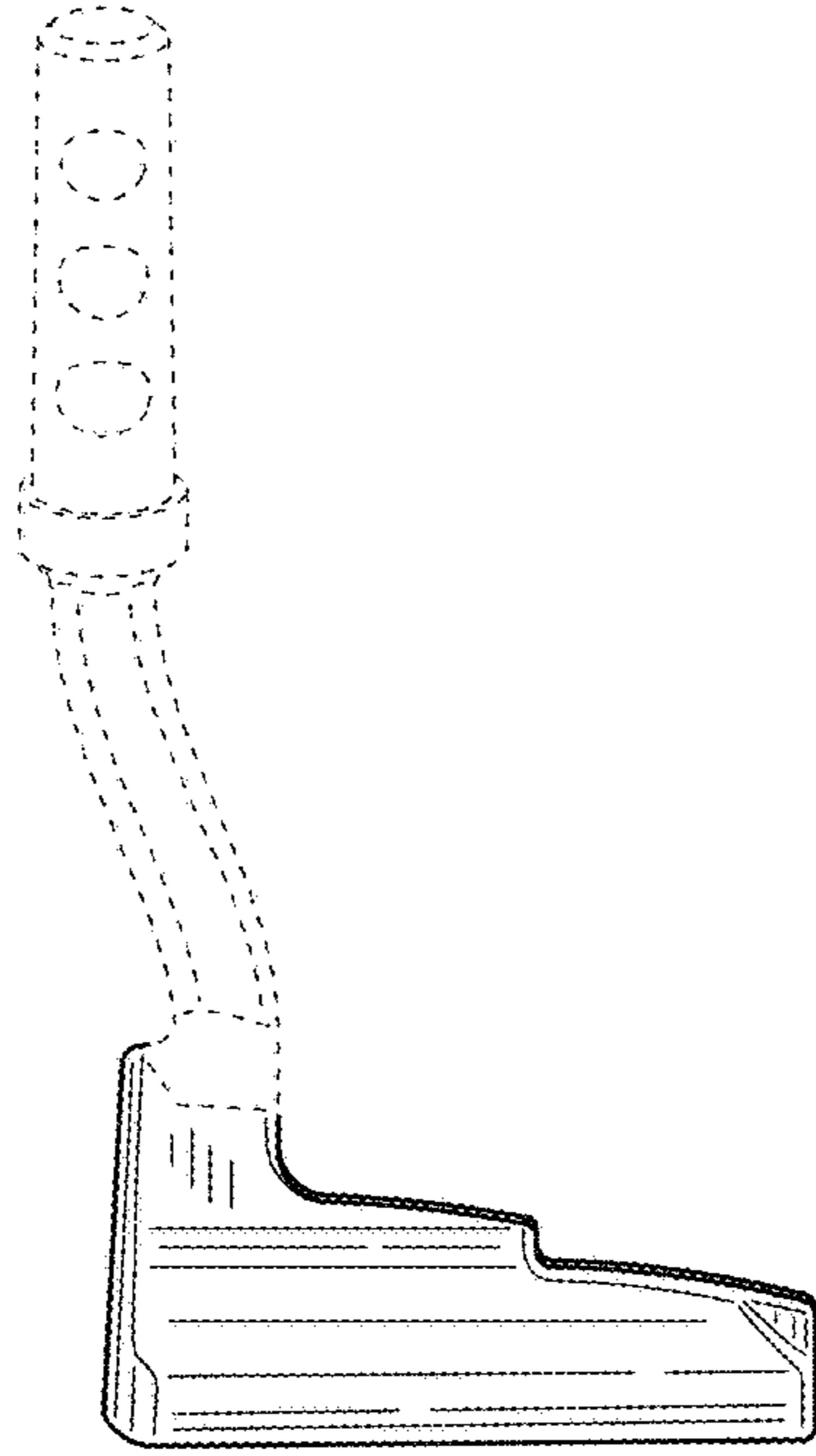


FIG. 7

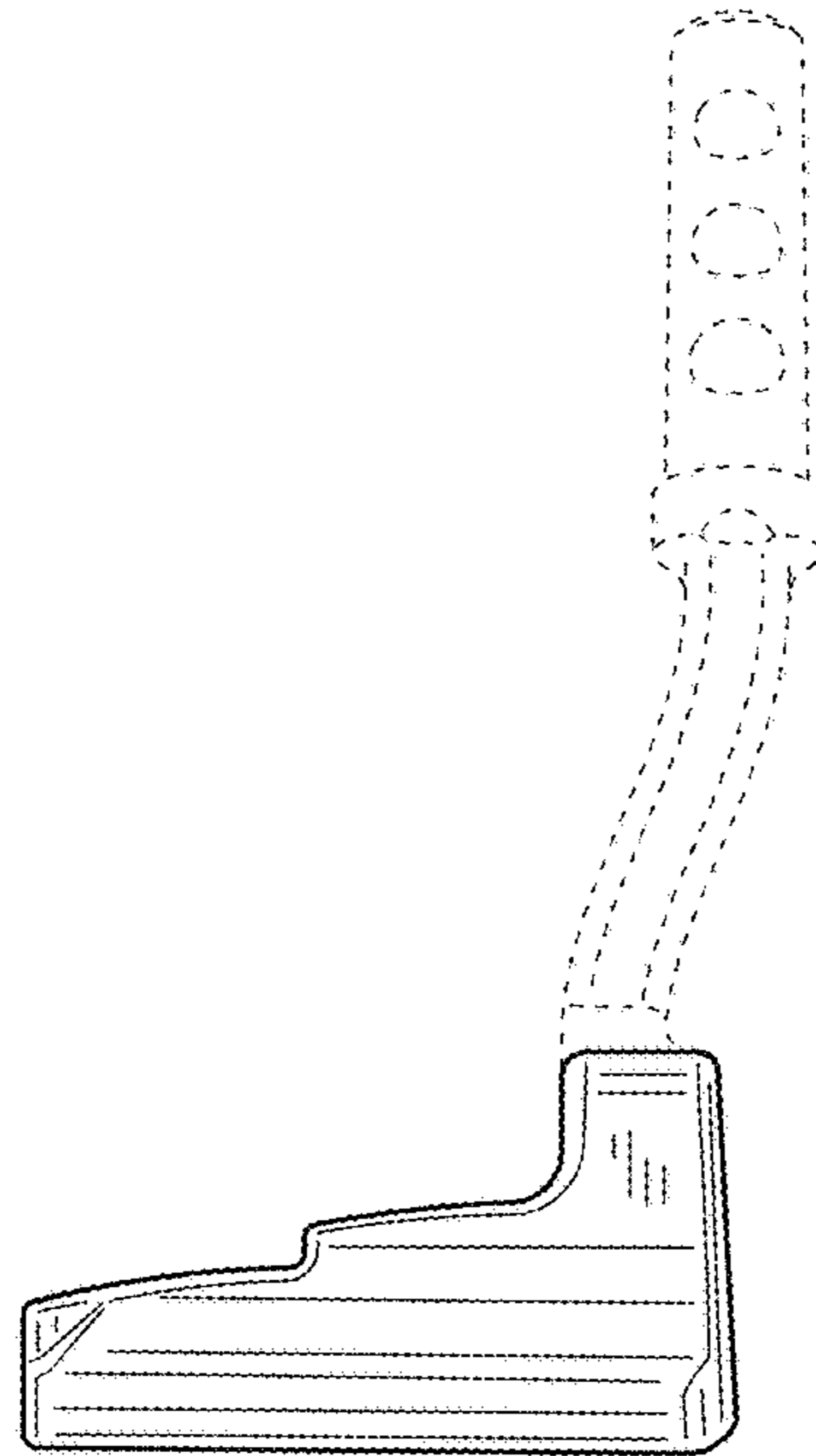


FIG. 8

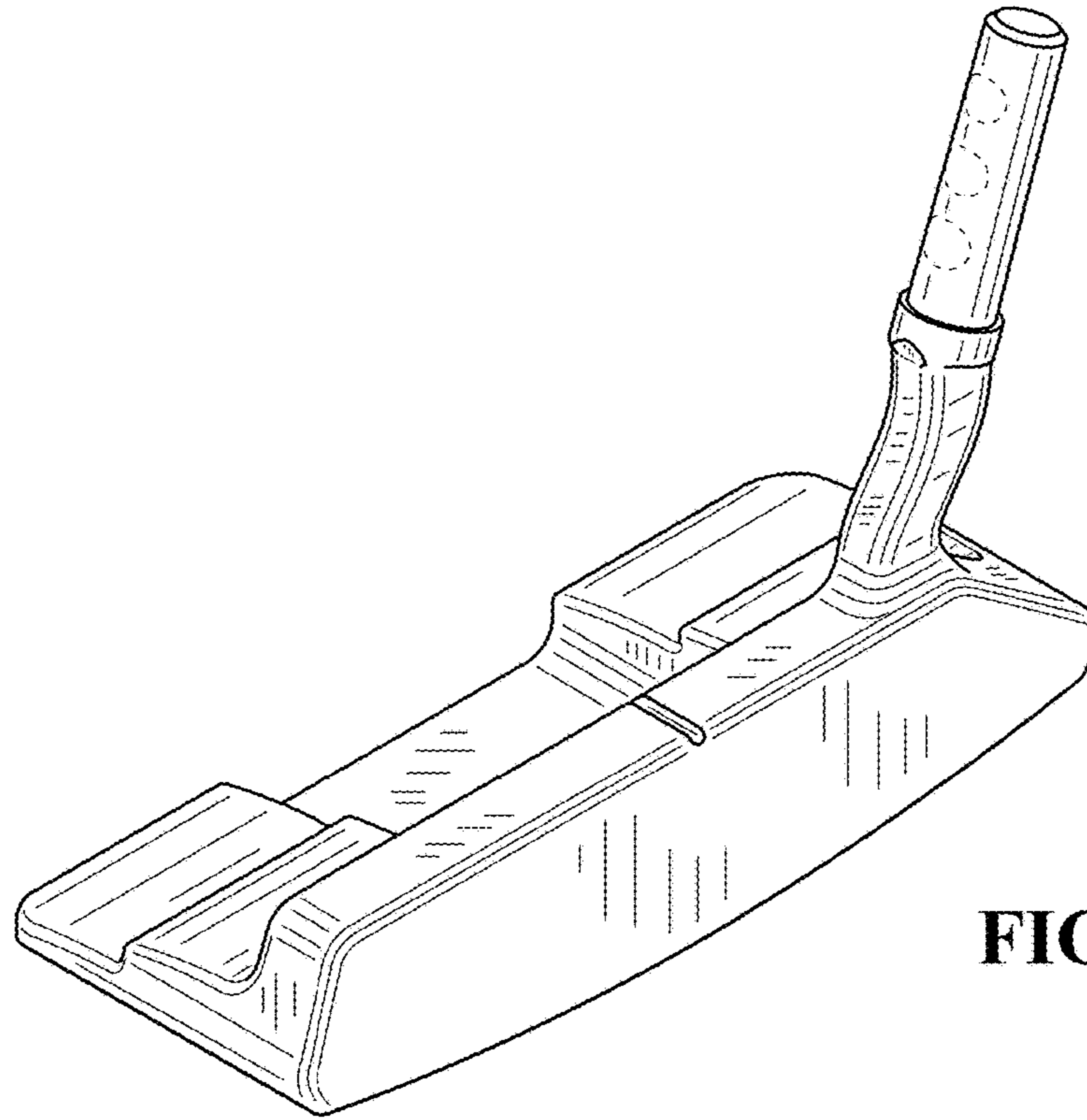


FIG.9

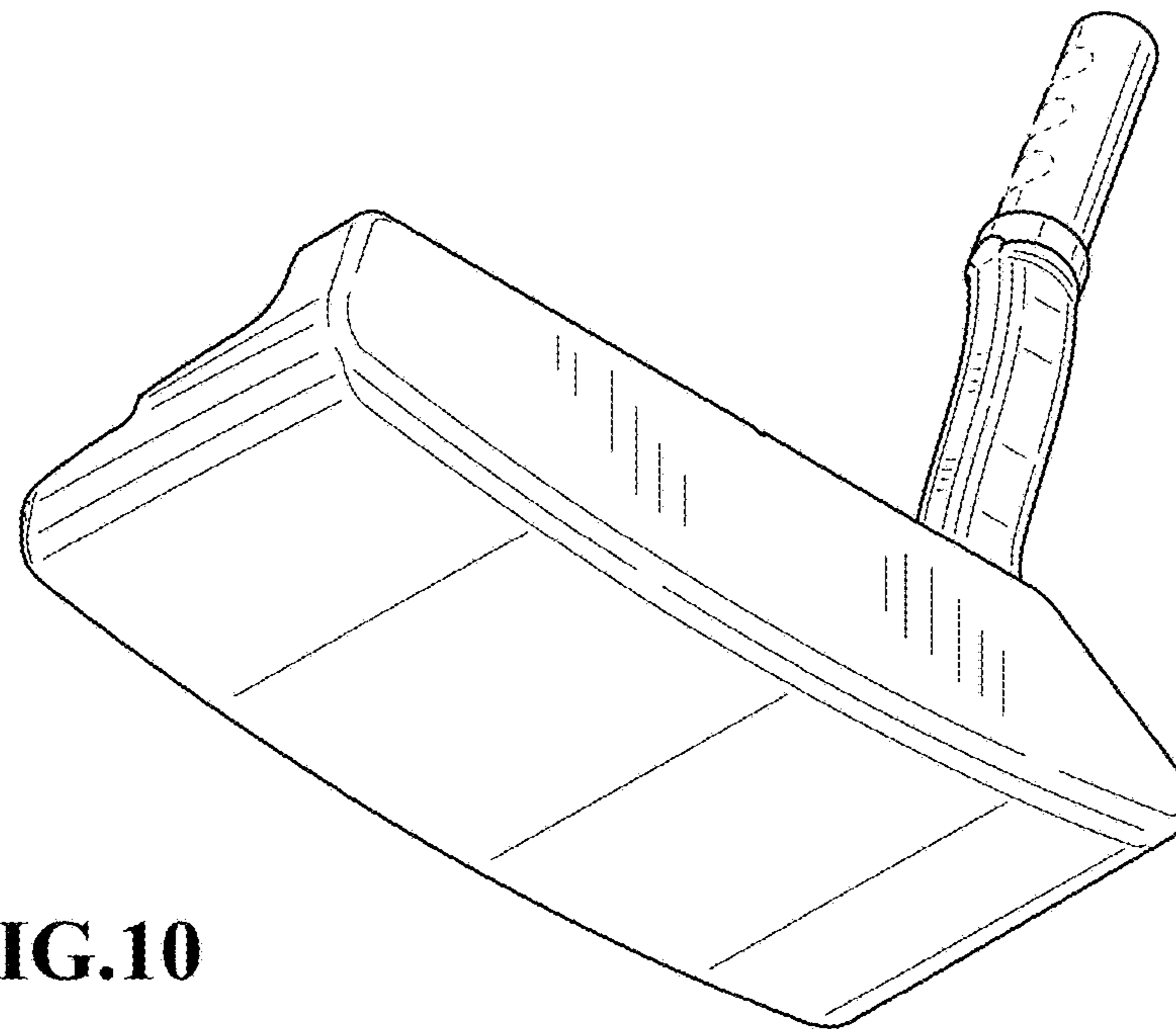


FIG.10

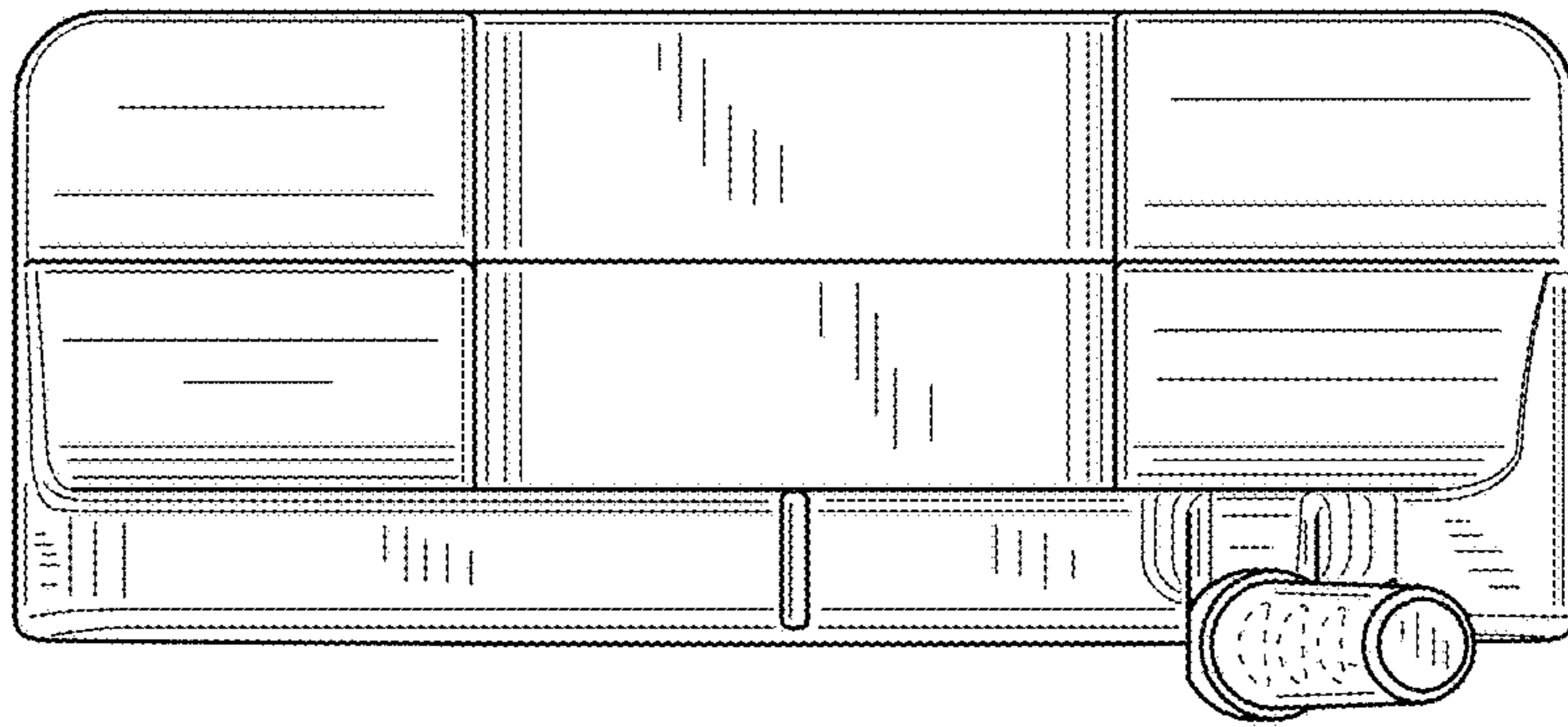


FIG.11

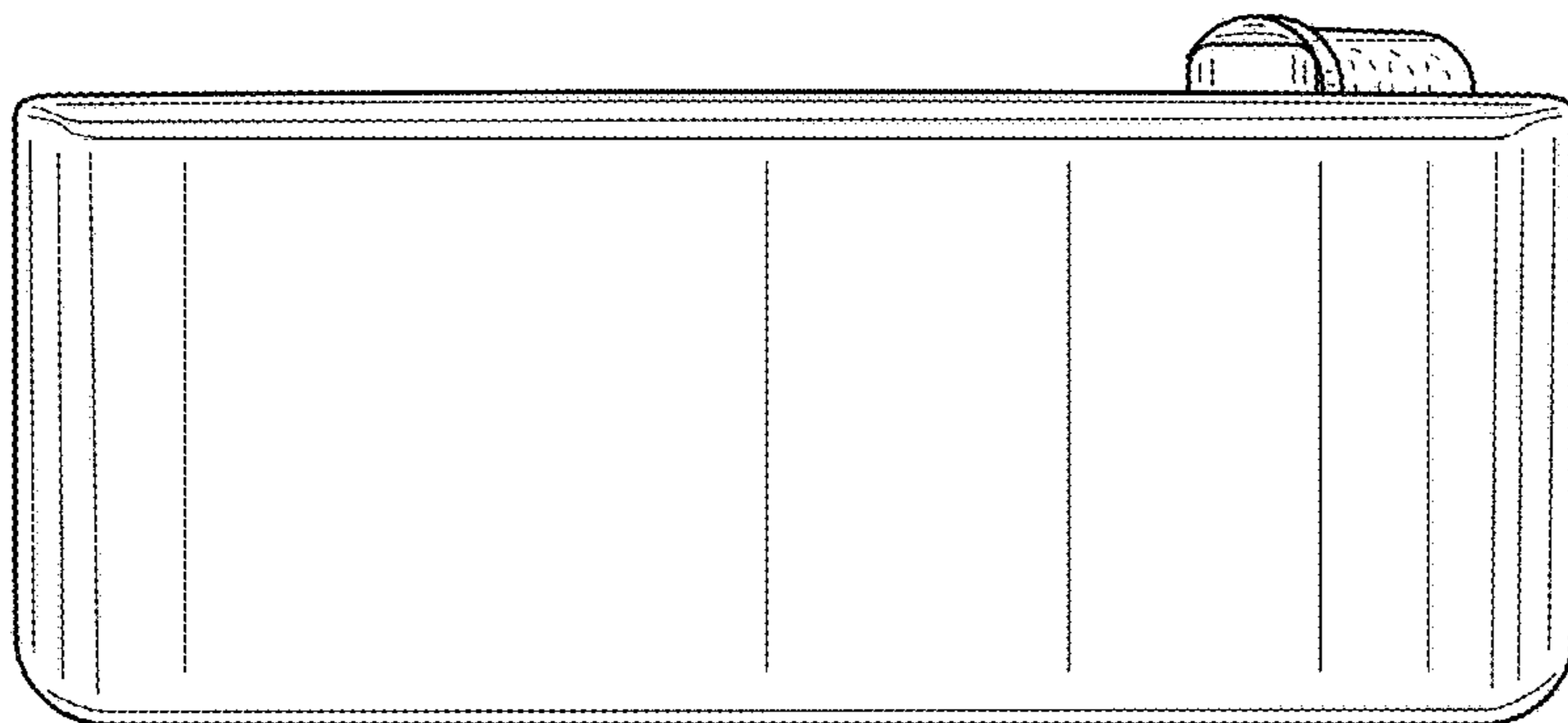


FIG.12

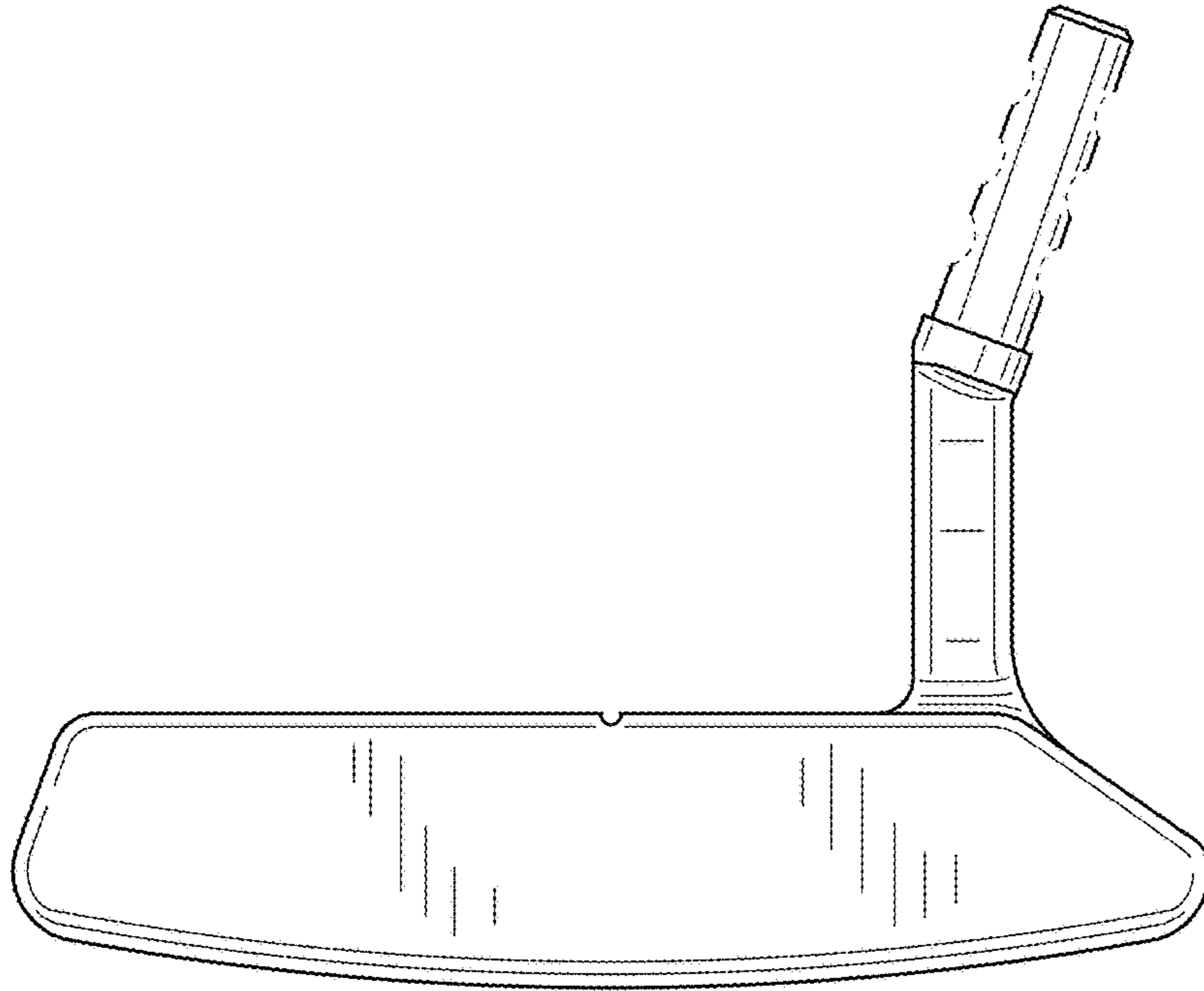


FIG.13

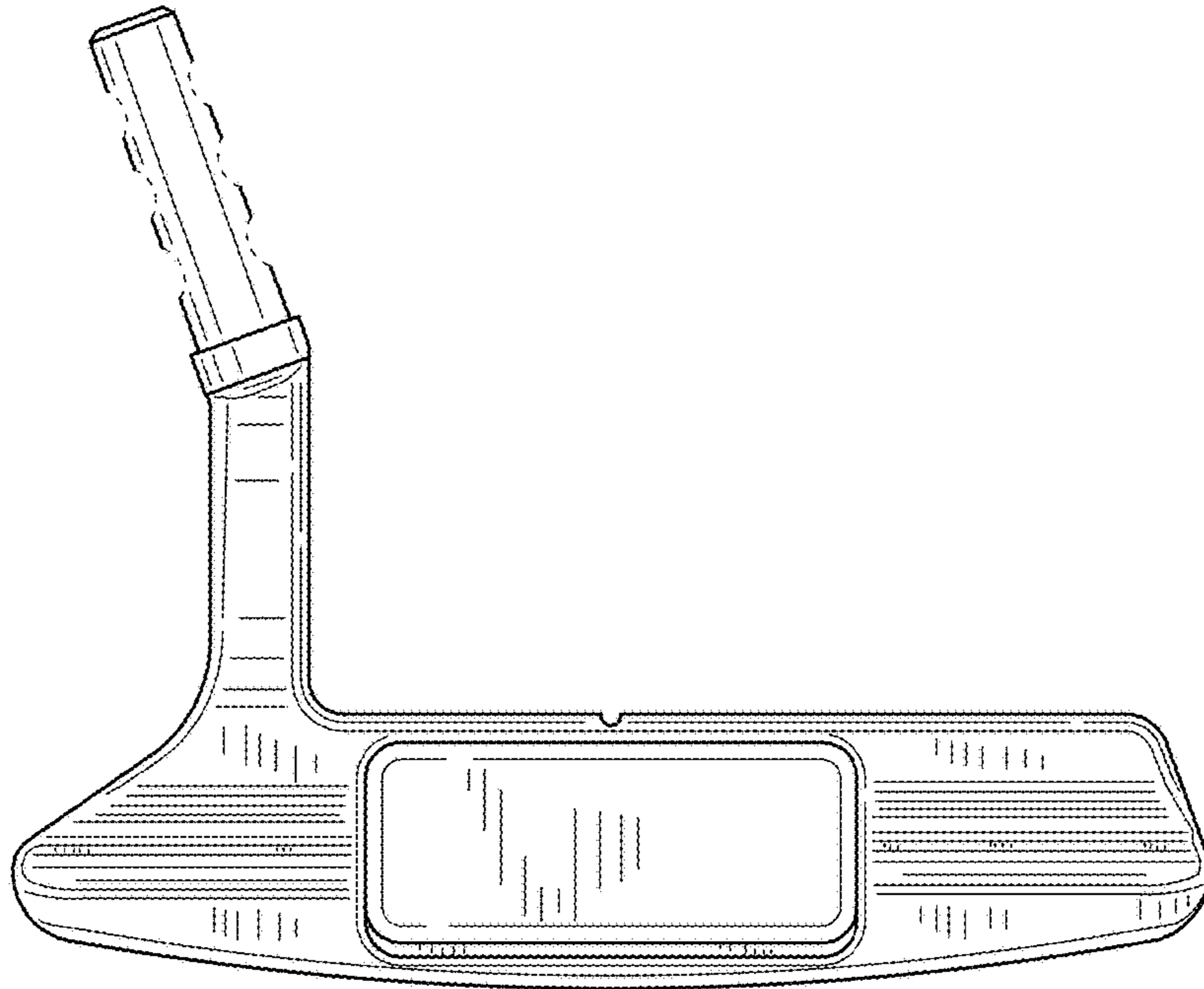


FIG.14

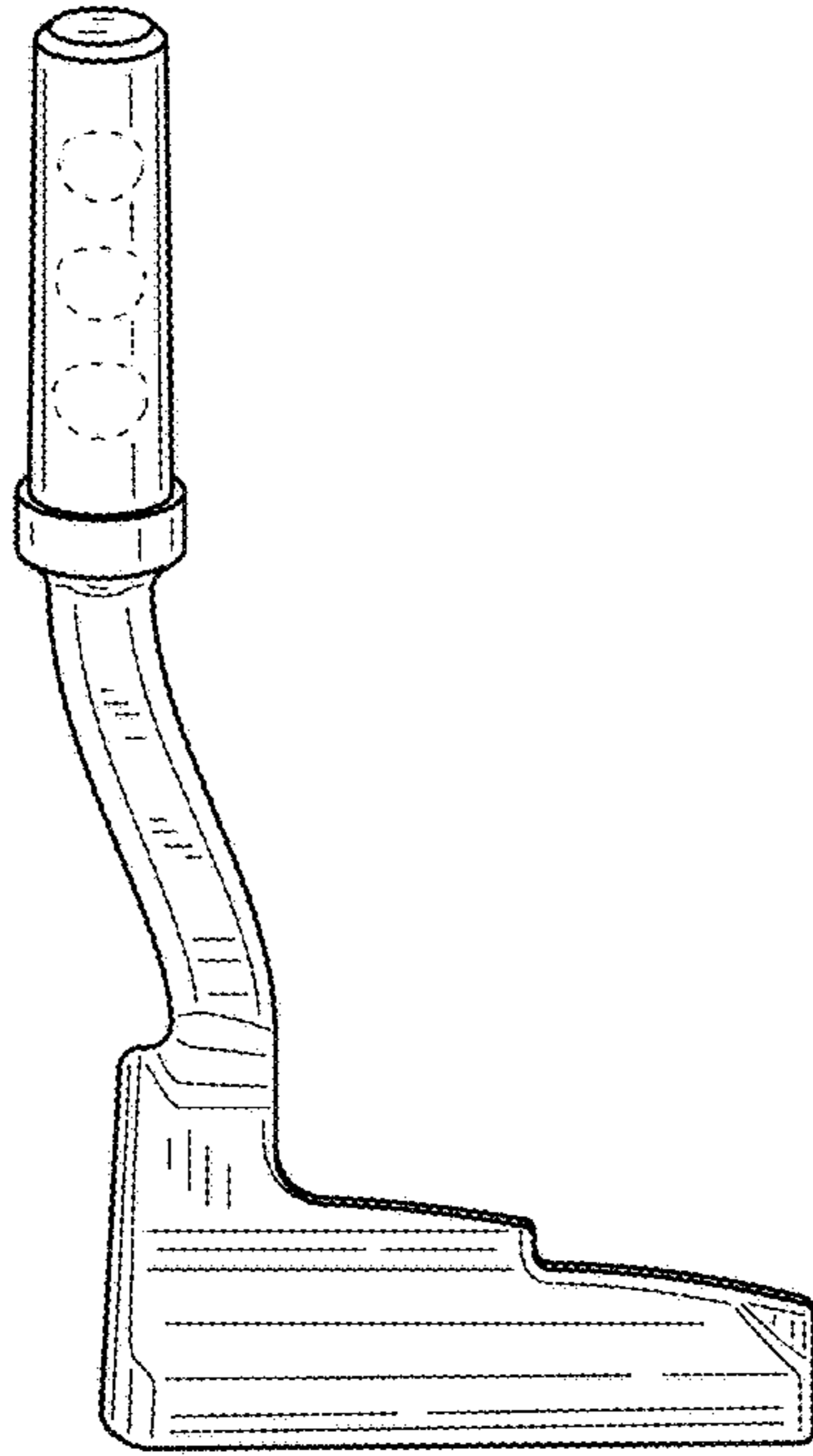


FIG.15

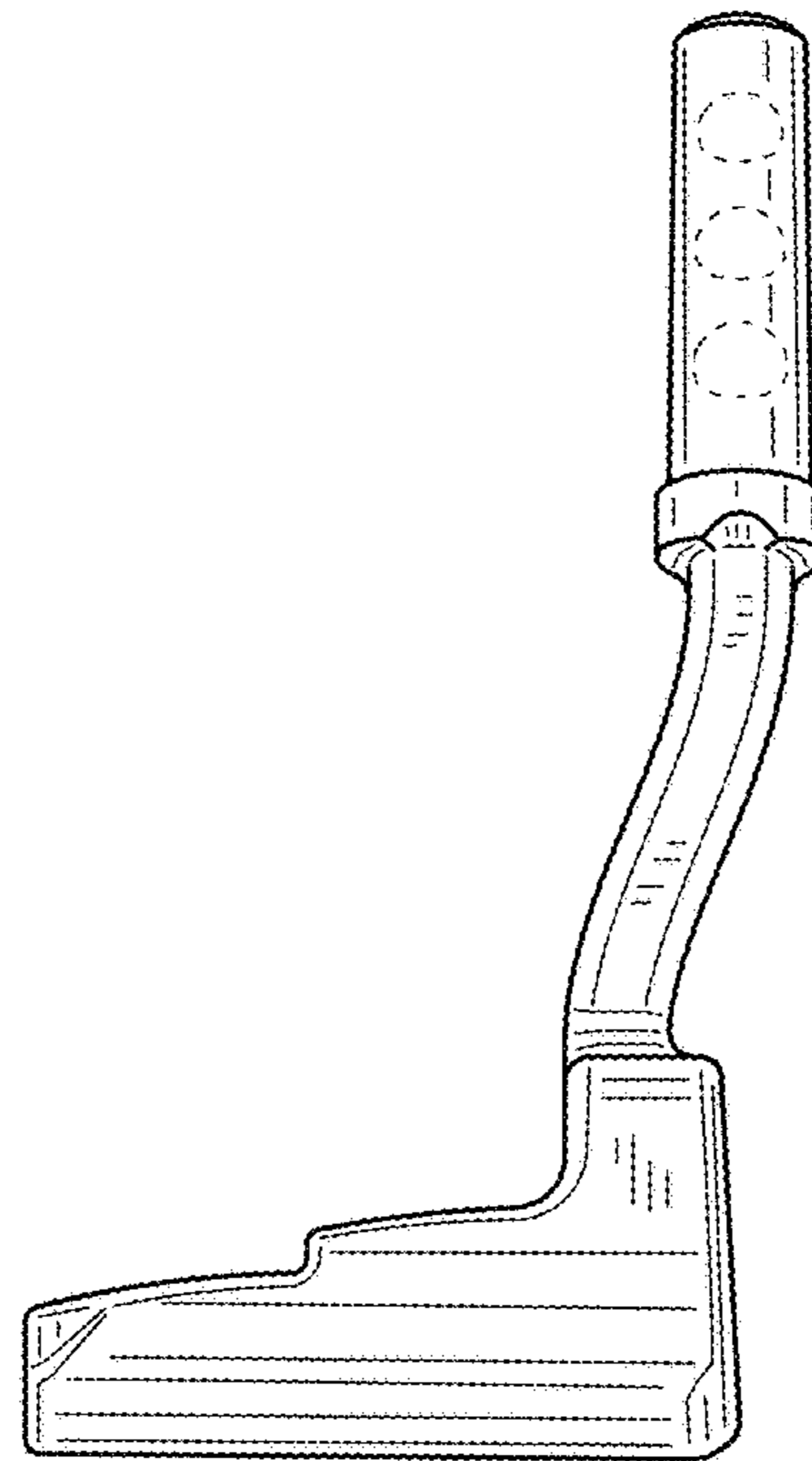


FIG.16