



US00D852300S

(12) **United States Design Patent**
Wang et al.

(10) **Patent No.:** **US D852,300 S**
(45) **Date of Patent:** **** Jun. 25, 2019**

(54) **GOLF CLUB HEAD**

(71) Applicant: **Karsten Manufacturing Corporation**,
Phoenix, AZ (US)

(72) Inventors: **Calvin S. Wang**, Chandler, AZ (US);
David A. Higdon, Cave Creek, AZ
(US); **Martin R. Jertson**, Phoenix, AZ
(US)

(73) Assignee: **Karsten Manufacturing Corporation**,
Phoenix, AZ (US)

(**) Term: **15 Years**

(21) Appl. No.: **29/630,358**

(22) Filed: **Dec. 20, 2017**

(51) **LOC (11) Cl.** **21-02**

(52) **U.S. Cl.**
USPC **D21/743**

(58) **Field of Classification Search**
USPC D21/736-746, 759
CPC A63B 53/00; A63B 53/04; A63B 53/007;
A63B 53/065; A63B 53/0487; A63B
60/00; A63B 60/46
See application file for complete search history.

(56) **References Cited**

U.S. PATENT DOCUMENTS

1,897,264 A	2/1933	Lamb
1,901,562 A	3/1933	Main
2,014,829 A	9/1935	Young
2,486,952 A	11/1949	Kearsley et al.
3,042,405 A	7/1962	Solheim
D235,668 S	7/1975	Swash
3,954,265 A	5/1976	Taylor
4,222,566 A	9/1980	Berry
4,390,184 A	6/1983	Rudell
4,695,054 A	9/1987	Tunstall
4,714,252 A	12/1987	Roraback

4,722,528 A	2/1988	Tsao
4,741,535 A	5/1988	Leonhardt
4,834,387 A	5/1989	Waites et al.
D323,867 S	2/1992	Rizzotto
D324,555 S	3/1992	Evans
D333,331 S	2/1993	Evans

(Continued)

FOREIGN PATENT DOCUMENTS

JP	1402373	11/2010
KR	300634051	3/2012

Primary Examiner — Mitchell I. Siegel

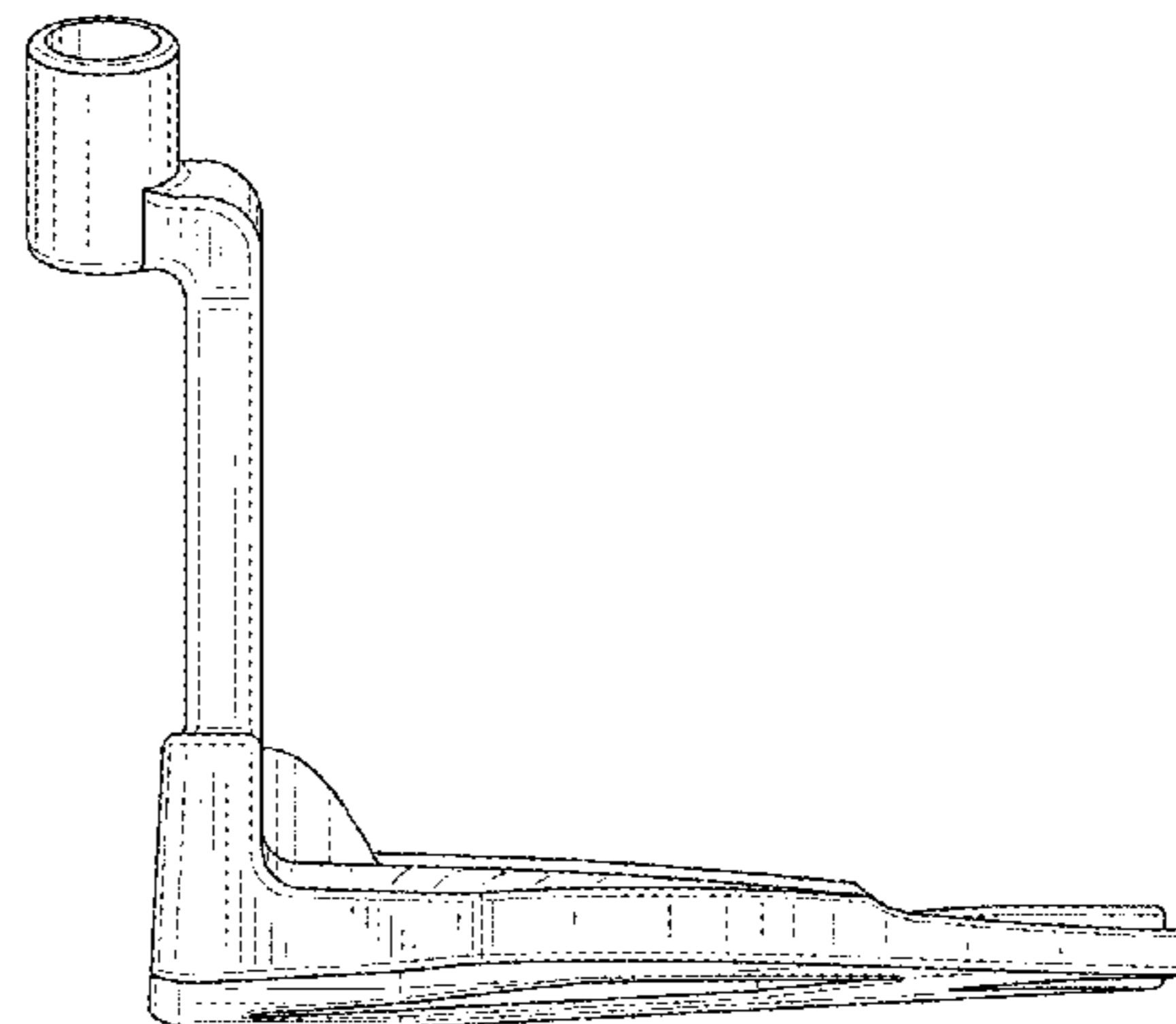
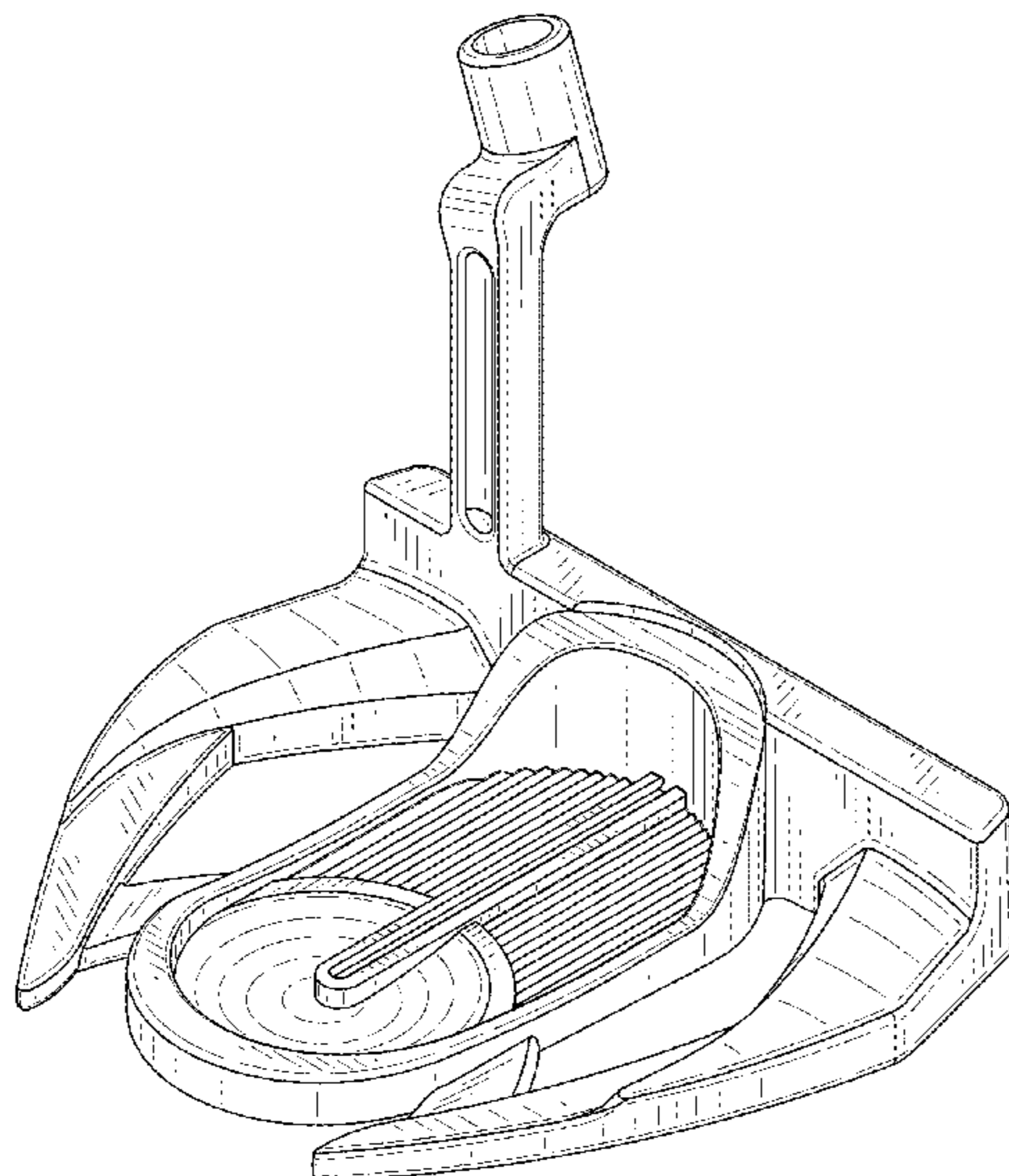
(57) **CLAIM**

The ornamental design for a golf club head, as shown and described.

DESCRIPTION

FIG. 1 is a top perspective view of a golf club head;
 FIG. 2 is a bottom perspective view of the golf club head of FIG. 1;
 FIG. 3 is a top view of the golf club head of FIG. 1;
 FIG. 4 is a bottom view of the golf club head of FIG. 1;
 FIG. 5 is a front view of the golf club head of FIG. 1;
 FIG. 6 is a rear view of the golf club head of FIG. 1;
 FIG. 7 is a toe side view of the golf club head of FIG. 1;
 FIG. 8 is a heel side view of the golf club head of FIG. 1;
 FIG. 9 is a top perspective view of a second embodiment of the golf club head of FIG. 1;
 FIG. 10 is a bottom perspective view of the golf club head of FIG. 9;
 FIG. 11 is a top view of the golf club head of FIG. 9;
 FIG. 12 is a bottom view of the golf club head of FIG. 9;
 FIG. 13 is a front view of the golf club head of FIG. 9;
 FIG. 14 is a rear view of the golf club head of FIG. 9;
 FIG. 15 is a toe side view of the golf club head of FIG. 9;
 and,
 FIG. 16 is a heel side view of the golf club head of FIG. 9.

1 Claim, 12 Drawing Sheets



(56)

References Cited

U.S. PATENT DOCUMENTS

5,211,401 A	5/1993	Hainey	
D342,112 S	12/1993	Diesterheft	
5,320,346 A	6/1994	Phillips	
5,320,353 A	6/1994	Moore	
5,324,031 A	6/1994	Green	
D356,846 S	3/1995	Murrill	
5,482,281 A	1/1996	Anderson	
5,580,058 A	12/1996	Coughlin	
5,716,290 A	2/1998	Baker et al.	
5,820,481 A	10/1998	Raudman	
D449,085 S	10/2001	Breier et al.	
6,402,638 B1	6/2002	Kelley	
D477,041 S	7/2003	Cameron	
6,634,956 B1	10/2003	Pegg	
6,663,497 B2	12/2003	Cameron	
6,679,782 B2	1/2004	Tang et al.	
D488,200 S	4/2004	Olsavsky et al.	
D494,237 S	8/2004	Ware	
D499,778 S	12/2004	Cameron	
D500,100 S	12/2004	Solheim et al.	
D500,109 S *	12/2004	Solheim	D21/736
D500,110 S *	12/2004	Solheim	D21/742
D500,539 S	1/2005	Holloway	
D502,234 S	2/2005	Grace	
D502,748 S	3/2005	Burrows	
D505,702 S	5/2005	Wood	
D506,796 S	6/2005	Li	
D507,613 S	7/2005	Baiocchi	
D508,273 S	8/2005	Garner et al.	
D510,394 S	10/2005	Tang et al.	
6,960,140 B2 *	11/2005	Solheim	A63B 53/0487 473/251
6,966,845 B2	11/2005	Solheim et al.	
D513,050 S	12/2005	Grimaldo	
D514,182 S	1/2006	Olsavsky et al.	
D515,646 S	2/2006	Perry	
7,004,849 B2	2/2006	Cameron	
D517,143 S	3/2006	Petsel	
D518,127 S	3/2006	Tang et al.	
D520,583 S	5/2006	Rollinson et al.	
D521,582 S	5/2006	Souza et al.	
7,052,411 B2	5/2006	Solheim et al.	
D522,598 S *	6/2006	Solheim	D21/742
7,077,758 B2	7/2006	Rohrer	
D527,777 S *	9/2006	Solheim	D21/736
D529,560 S	10/2006	Madore	
D532,842 S *	11/2006	Jones	D21/736
D532,843 S *	11/2006	Jones	D21/736
D532,845 S	11/2006	Rollinson	
D532,846 S	11/2006	Lee et al.	
D533,243 S	12/2006	Fife et al.	
D533,609 S	12/2006	Moore	
7,147,569 B2	12/2006	Tang et al.	
D534,974 S	1/2007	Haack	
D536,400 S	2/2007	Dibattista	
D537,135 S	2/2007	Rollinson et al.	
D539,860 S	4/2007	Fussell	
D542,873 S	5/2007	Oldknow	
D545,385 S	6/2007	Tang et al.	
7,235,021 B2 *	6/2007	Solheim	A63B 53/0487 473/251
D548,295 S *	8/2007	Jertson	D21/736
7,255,650 B2 *	8/2007	Braynt	A63B 53/0487 473/252
D552,197 S	10/2007	Wells et al.	
D557,361 S	12/2007	Rollinson	
7,326,121 B2	2/2008	Roake	
D564,606 S	3/2008	Oldknow et al.	
D564,607 S	3/2008	Oldknow et al.	
D565,138 S	3/2008	Wilson	
D568,954 S	5/2008	Oldknow et al.	
D569,460 S	5/2008	Walker et al.	
D569,461 S	5/2008	Morris	
D569,462 S	5/2008	Rollinson	
D571,877 S	6/2008	Jones et al.	
D571,879 S *	6/2008	Jones	D21/736
7,390,267 B2	6/2008	Grace	
D573,673 S	7/2008	Noyes	
D574,907 S *	8/2008	Jones	D21/736
D574,908 S	8/2008	Hettinger et al.	
D575,366 S	8/2008	Rollinson	
D577,398 S *	9/2008	Hilton	D21/744
D579,505 S	10/2008	Jones	
7,455,599 B2 *	11/2008	Jones	A63B 53/0487 473/340
D582,497 S	12/2008	Rollinson	
D583,886 S	12/2008	Cameron	
D585,510 S	1/2009	Murrieta	
7,481,713 B2	1/2009	Beckman	
D587,325 S	2/2009	Solheim et al.	
D589,575 S	3/2009	Kim	
D590,035 S	4/2009	Hilton	
D590,461 S	4/2009	Kim et al.	
D591,371 S *	4/2009	Hilton	D21/736
D591,372 S	4/2009	Tang et al.	
D591,806 S *	5/2009	Cameron	D21/743
D591,807 S	5/2009	Rollinson	
D592,717 S	5/2009	Rollinson	
D594,073 S	6/2009	Kadoya	
D594,517 S	6/2009	Tang et al.	
D594,917 S	6/2009	Stellander	
D595,372 S	6/2009	Rollinson	
D595,373 S	6/2009	Kim et al.	
D595,793 S	7/2009	Rollinson	
D596,685 S	7/2009	Wallans	
D599,423 S	9/2009	Serrano et al.	
D599,424 S	9/2009	Serrano et al.	
D599,425 S	9/2009	Laub	
D599,868 S	9/2009	Serrano et al.	
D599,869 S	9/2009	Serrano et al.	
D599,870 S	9/2009	Serrano et al.	
D600,298 S	9/2009	Serrano et al.	
D600,760 S *	9/2009	Serrano	D21/736
D600,761 S	9/2009	Solheim et al.	
D600,762 S	9/2009	Serrano et al.	
D601,214 S	9/2009	Serrano et al.	
D603,008 S	10/2009	Donahue	
7,601,076 B2	10/2009	Rollinson	
D604,787 S	11/2009	Hopkins	
D606,139 S	12/2009	Ines et al.	
7,645,199 B2	1/2010	Cameron	
D621,458 S *	8/2010	Serrano	D21/736
D621,459 S	8/2010	Serrano et al.	
D621,460 S *	8/2010	Serrano	D21/742
D621,461 S *	8/2010	Serrano	D21/742
D621,462 S	8/2010	Serrano et al.	
D621,891 S *	8/2010	Serrano	D21/742
D623,709 S	9/2010	Serrano et al.	
D629,476 S *	12/2010	Serrano	D21/742
D638,891 S	5/2011	Nicolette et al.	
D641,439 S	7/2011	Rollinson et al.	
D641,814 S	7/2011	Hilton et al.	
D643,080 S *	8/2011	Serrano	D21/742
D643,485 S	8/2011	Nicolette et al.	
D643,486 S *	8/2011	Serrano	D21/742
D643,487 S *	8/2011	Serrano	D21/742
D653,718 S	2/2012	Stokke et al.	
D691,226 S	10/2013	Hilton et al.	
D719,231 S	12/2014	Chen et al.	
D719,622 S *	12/2014	Rollinson	D21/746
D732,121 S *	6/2015	Trahan	D21/742
D750,186 S	2/2016	Schweigert	
D774,610 S	12/2016	Serrano et al.	
D777,269 S	1/2017	Becktor et al.	
D783,101 S	4/2017	Schweigert	
D796,604 S *	9/2017	Serrano	D21/744
D796,605 S *	9/2017	Serrano	D21/744
D799,617 S *	10/2017	Becktor	D21/742
D801,458 S *	10/2017	Rollinson	D21/742
D816,175 S *	4/2018	Solheim	D21/743
D820,366 S *	6/2018	Hilton	D21/746
D827,064 S *	8/2018	Wypych	D21/743
2003/0228925 A1	12/2003	Rohrer	
2007/0021229 A1	1/2007	Haack	

(56)

References Cited

U.S. PATENT DOCUMENTS

2007/0049402 A1 3/2007 Sanchez et al.
2007/0298904 A1 12/2007 Dworzan
2009/0029800 A1* 1/2009 Jones A63B 53/04
473/346
2009/0105008 A1 4/2009 Kuan et al.
2009/0170629 A1 7/2009 Hilton
2009/0270196 A1 10/2009 Solheim et al.
2009/0270198 A1 10/2009 Solheim et al.
2009/0305806 A1 12/2009 Campadore et al.
2009/0305807 A1 12/2009 Solheim et al.

* cited by examiner

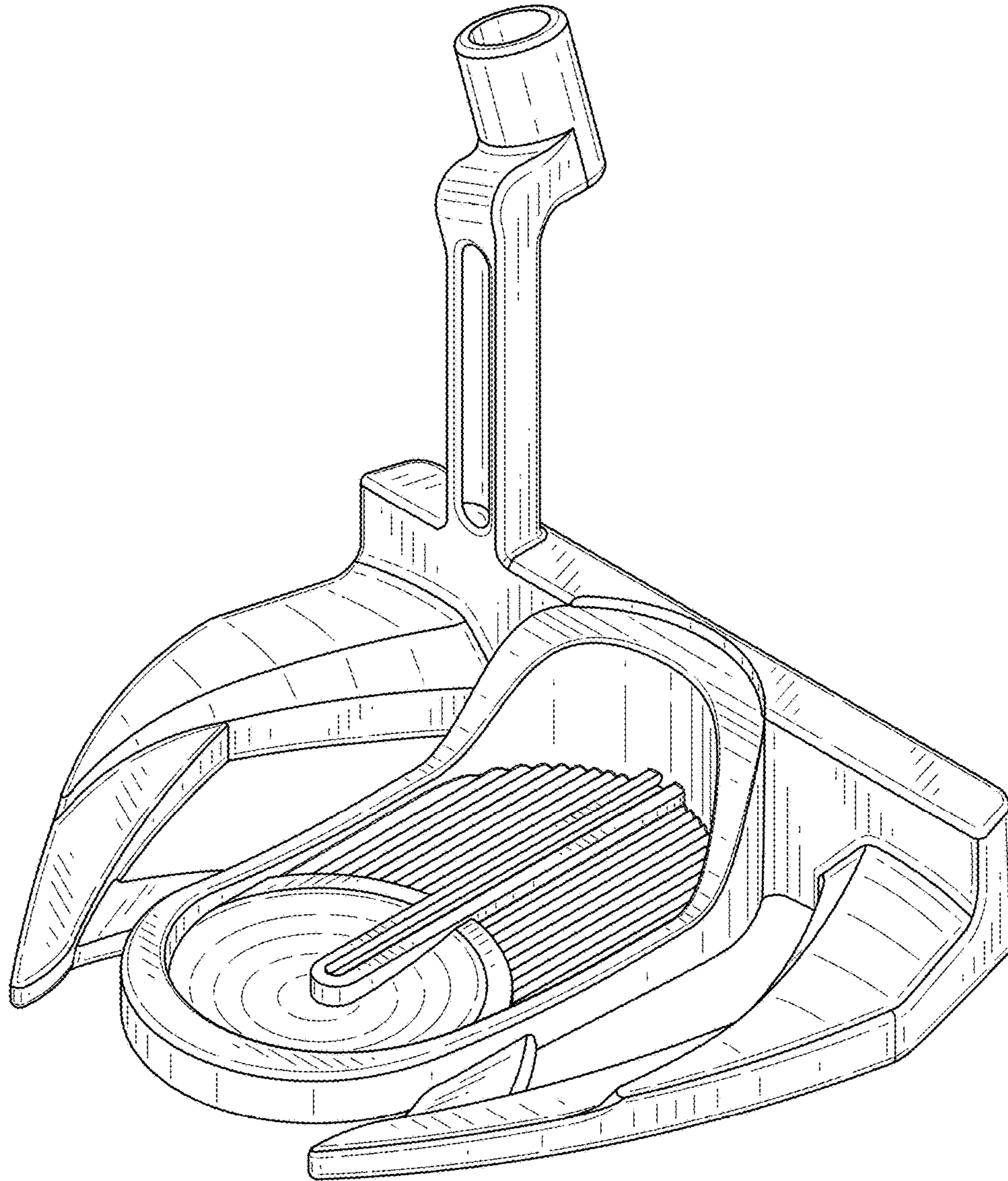


FIG. 1

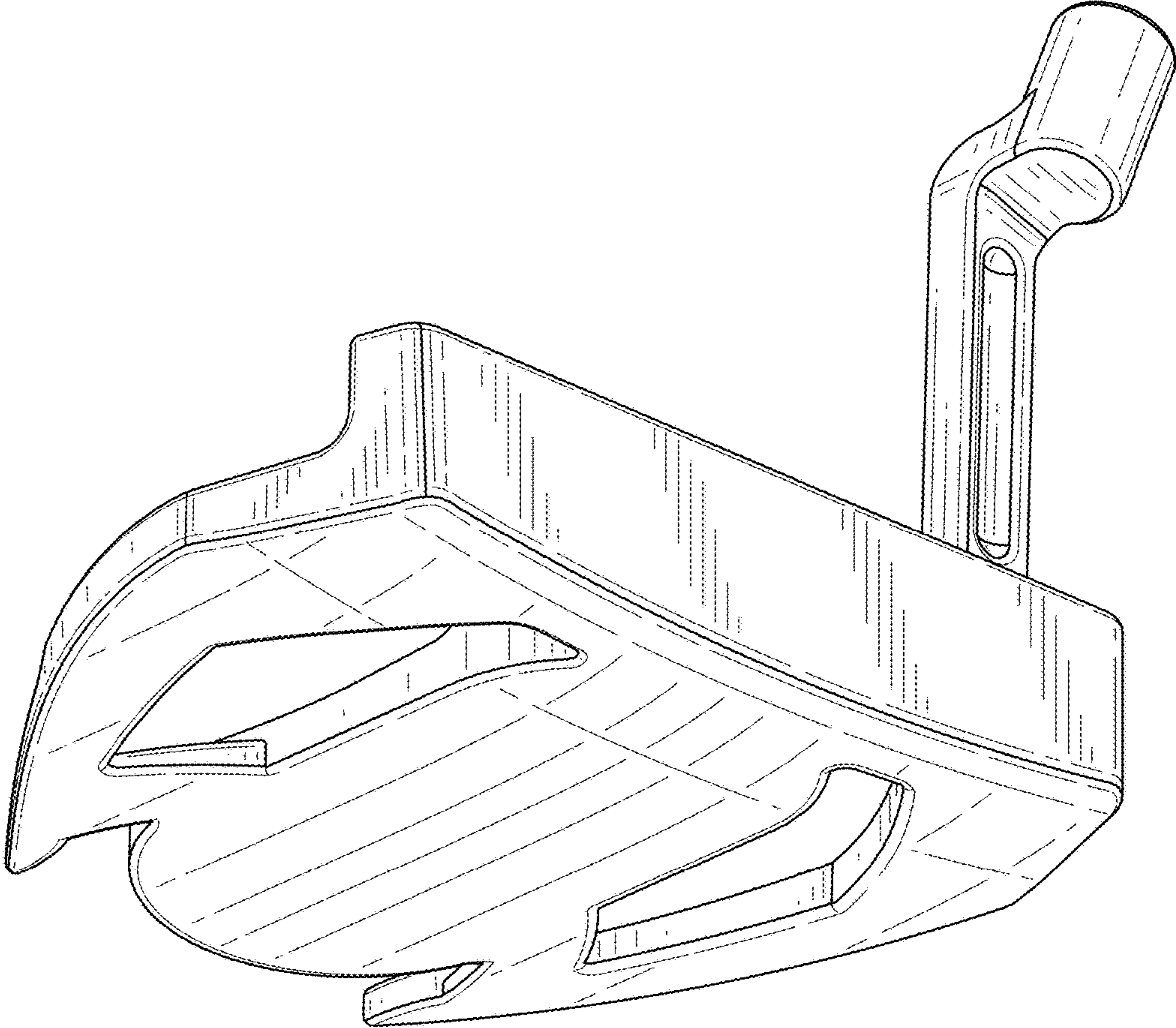


FIG. 2

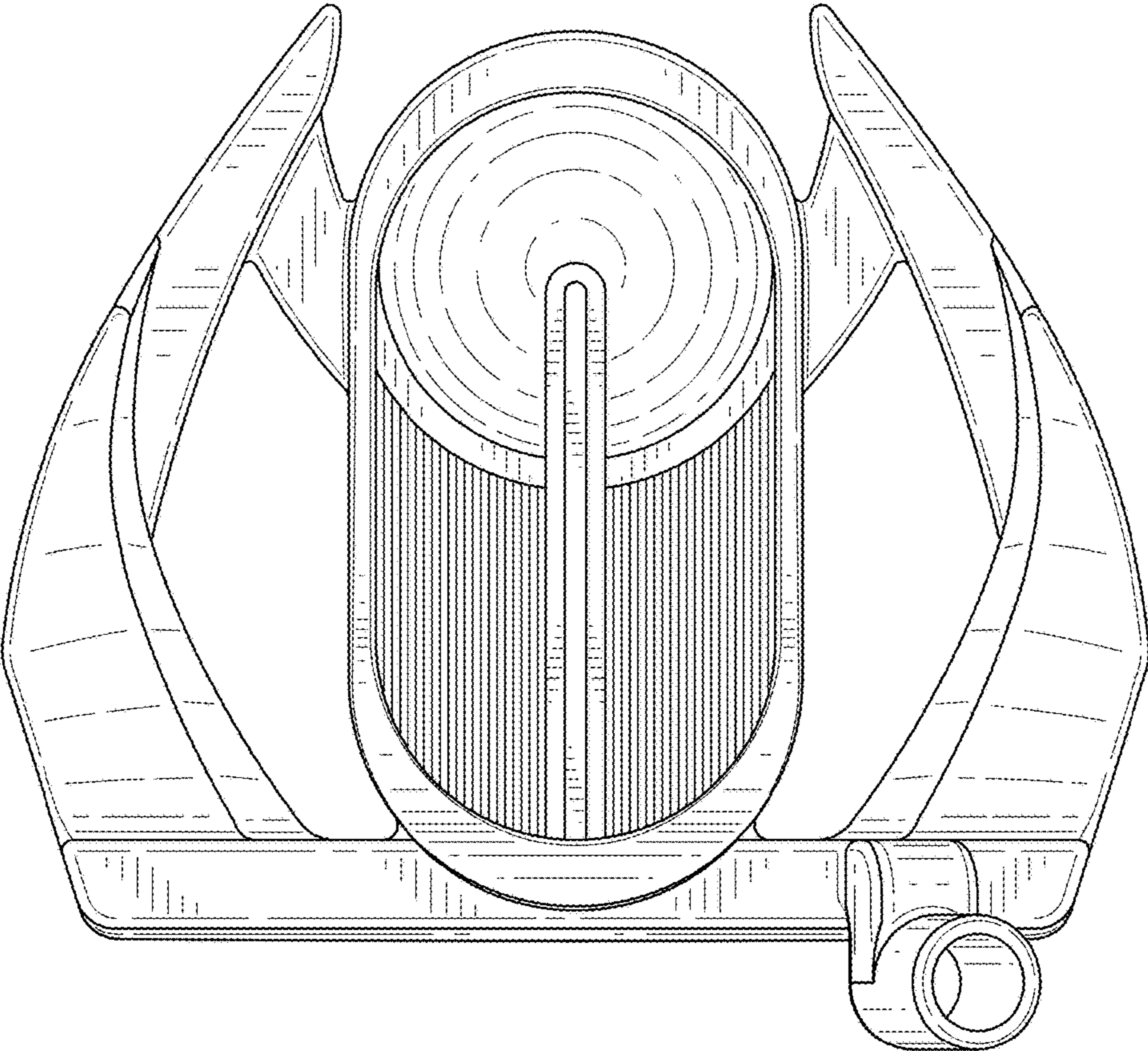


FIG. 3

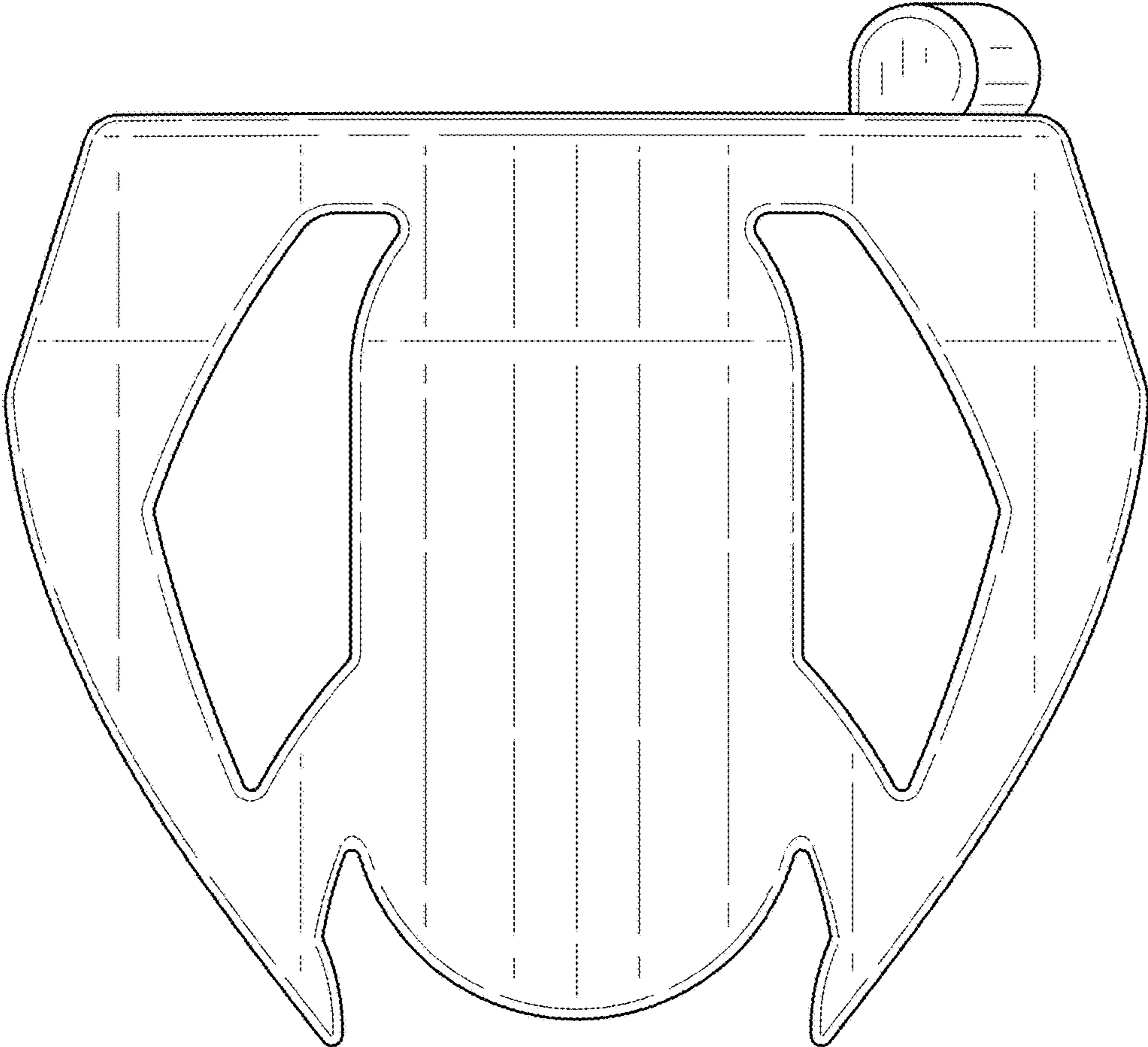


FIG. 4

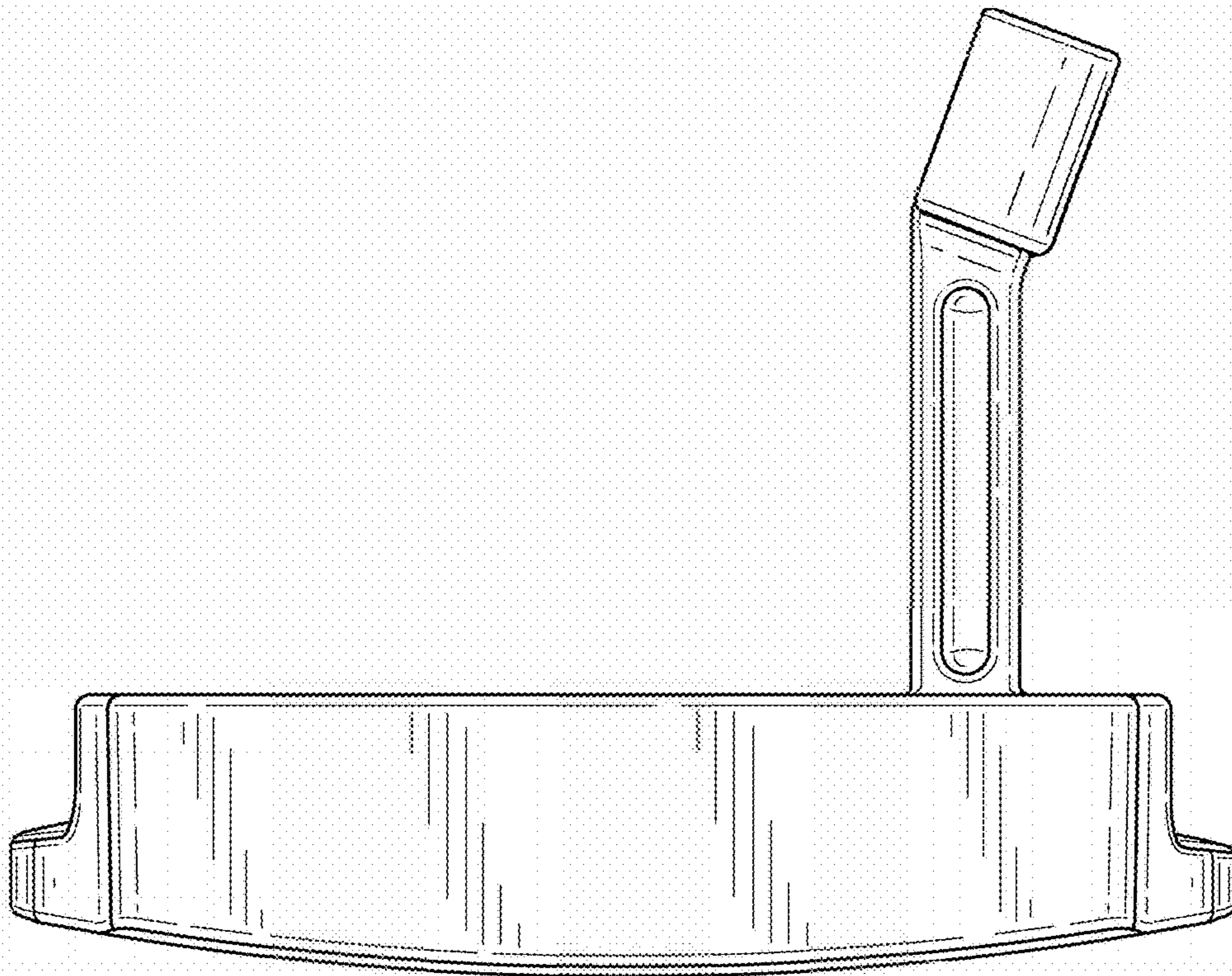


FIG. 5

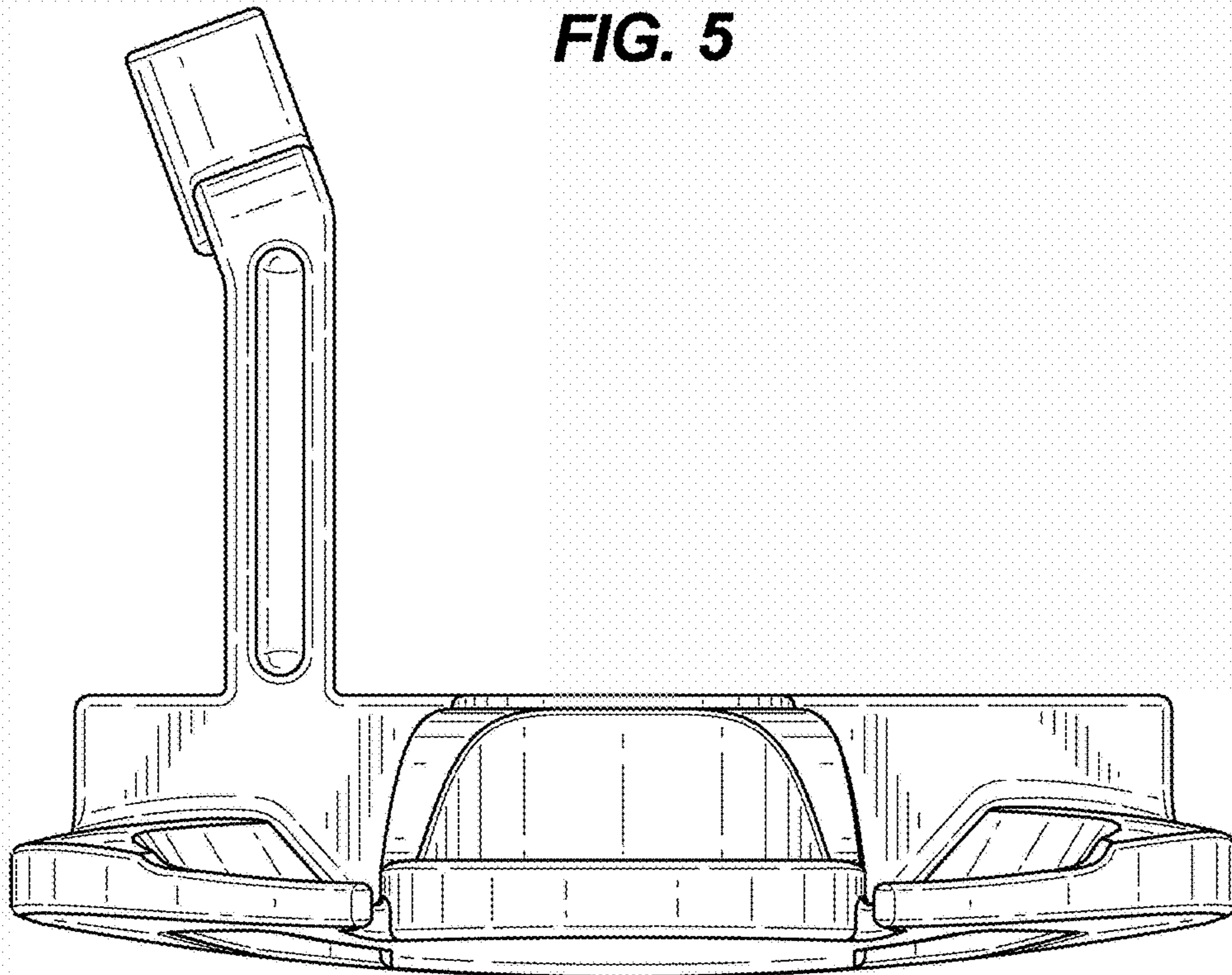


FIG. 6

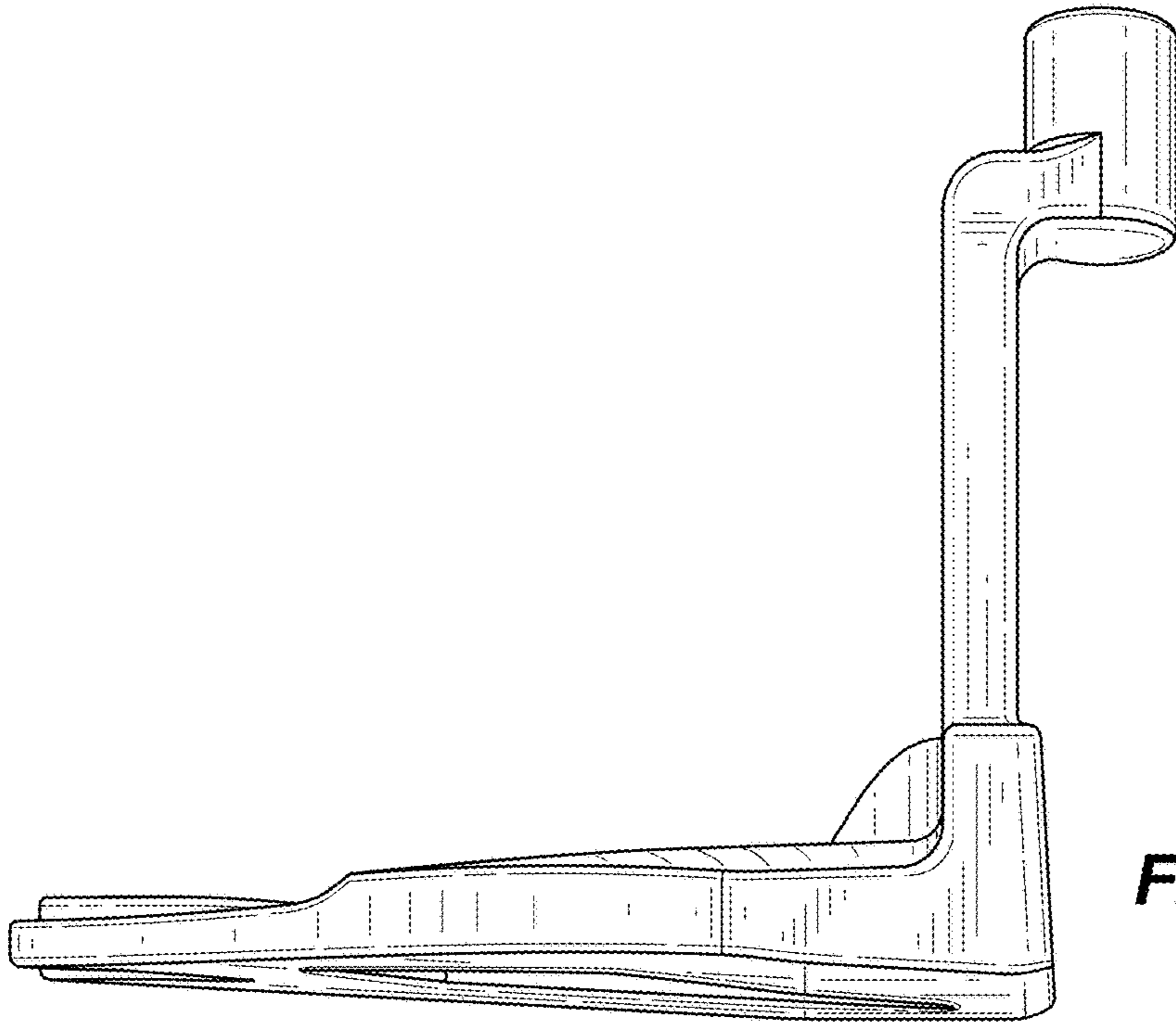


FIG. 7

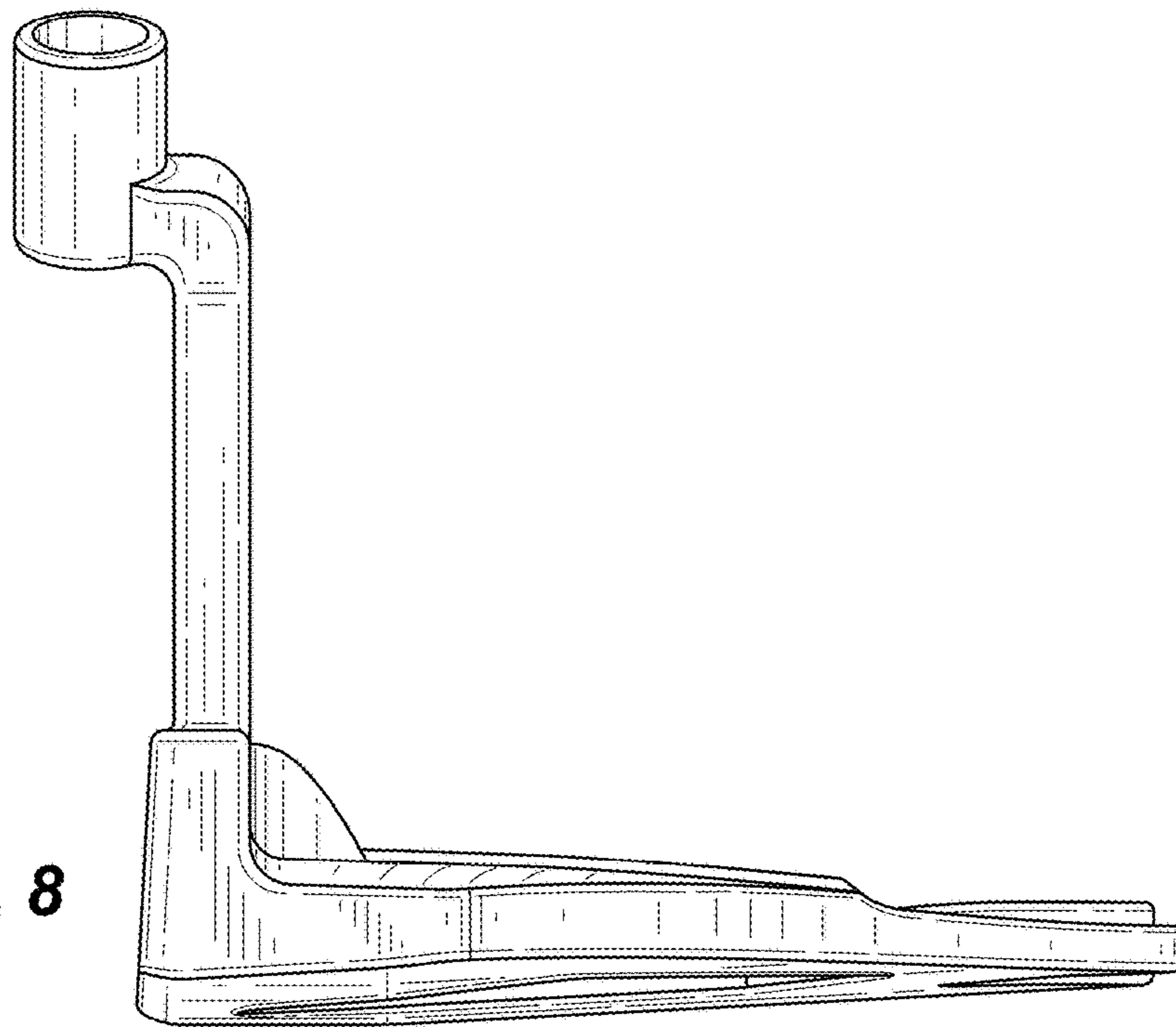


FIG. 8

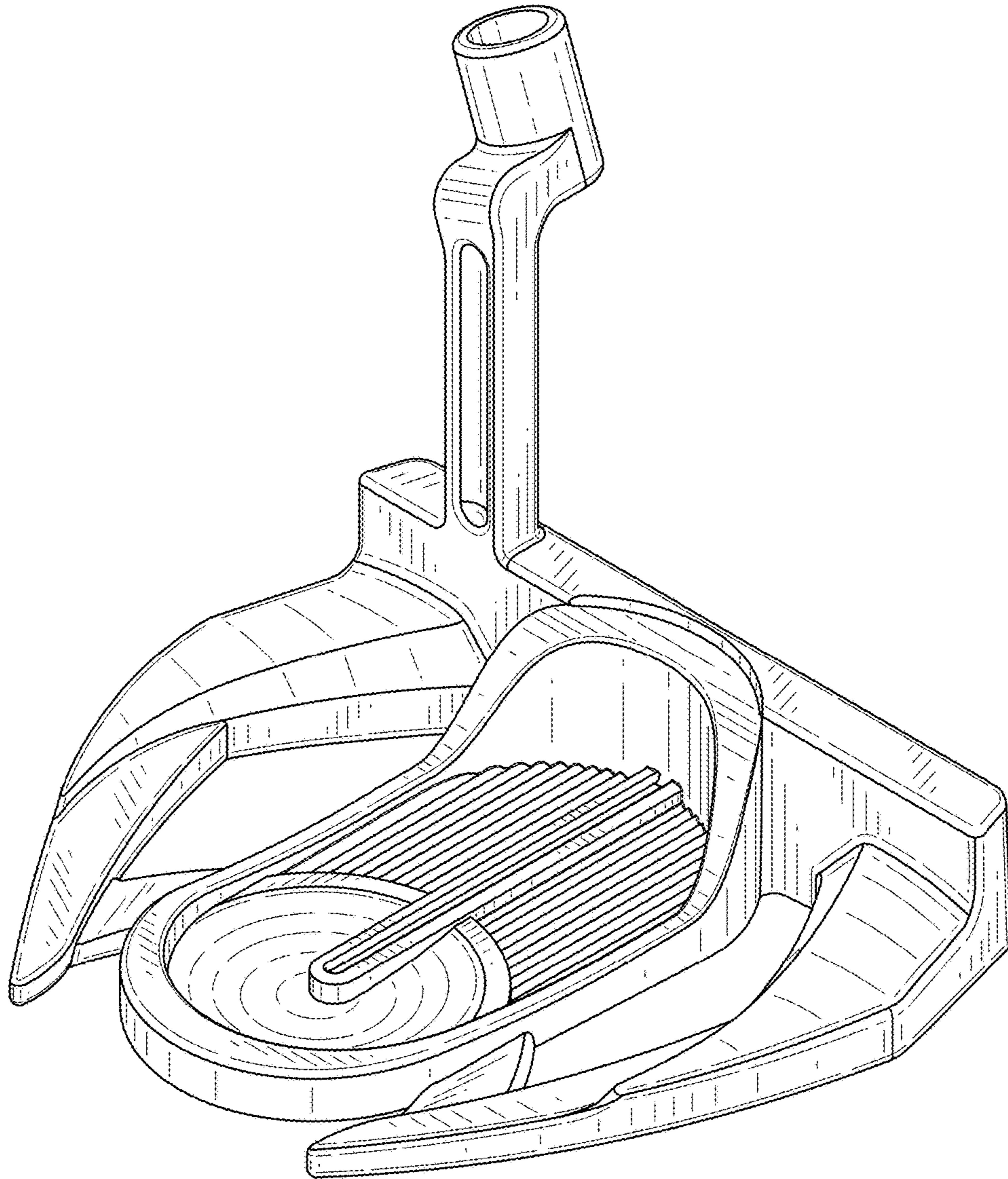


FIG. 9

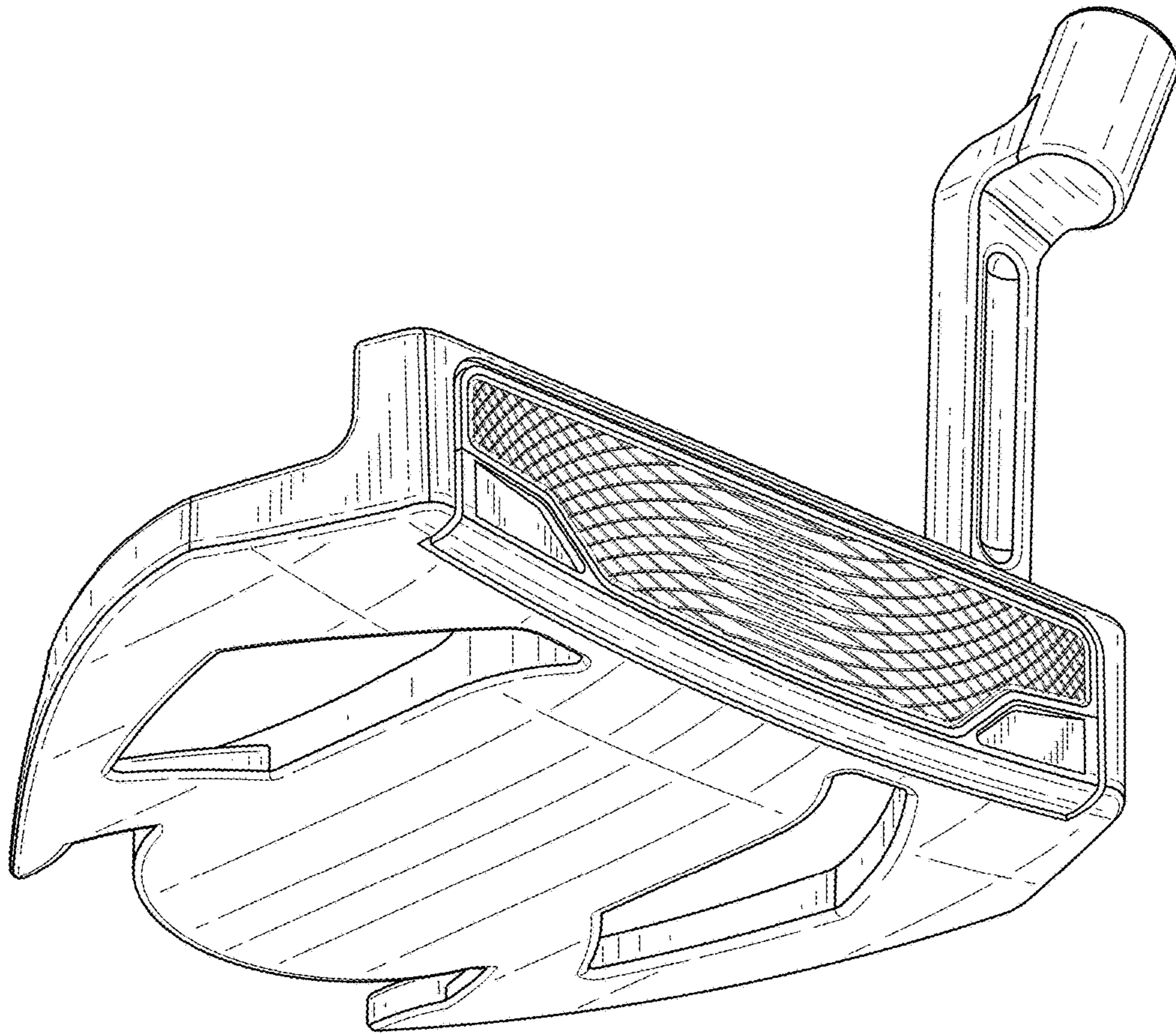


FIG. 10

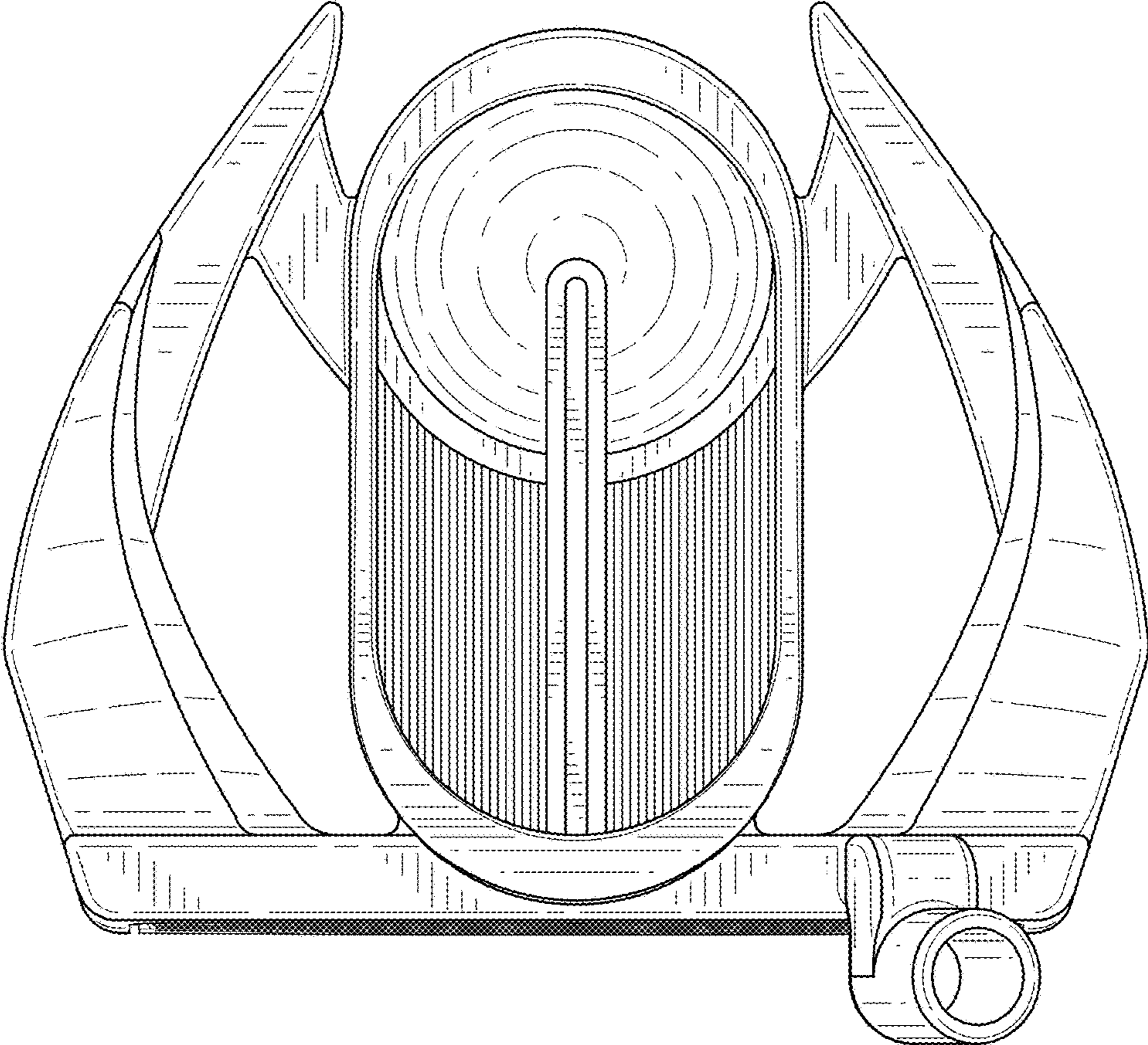


FIG. 11

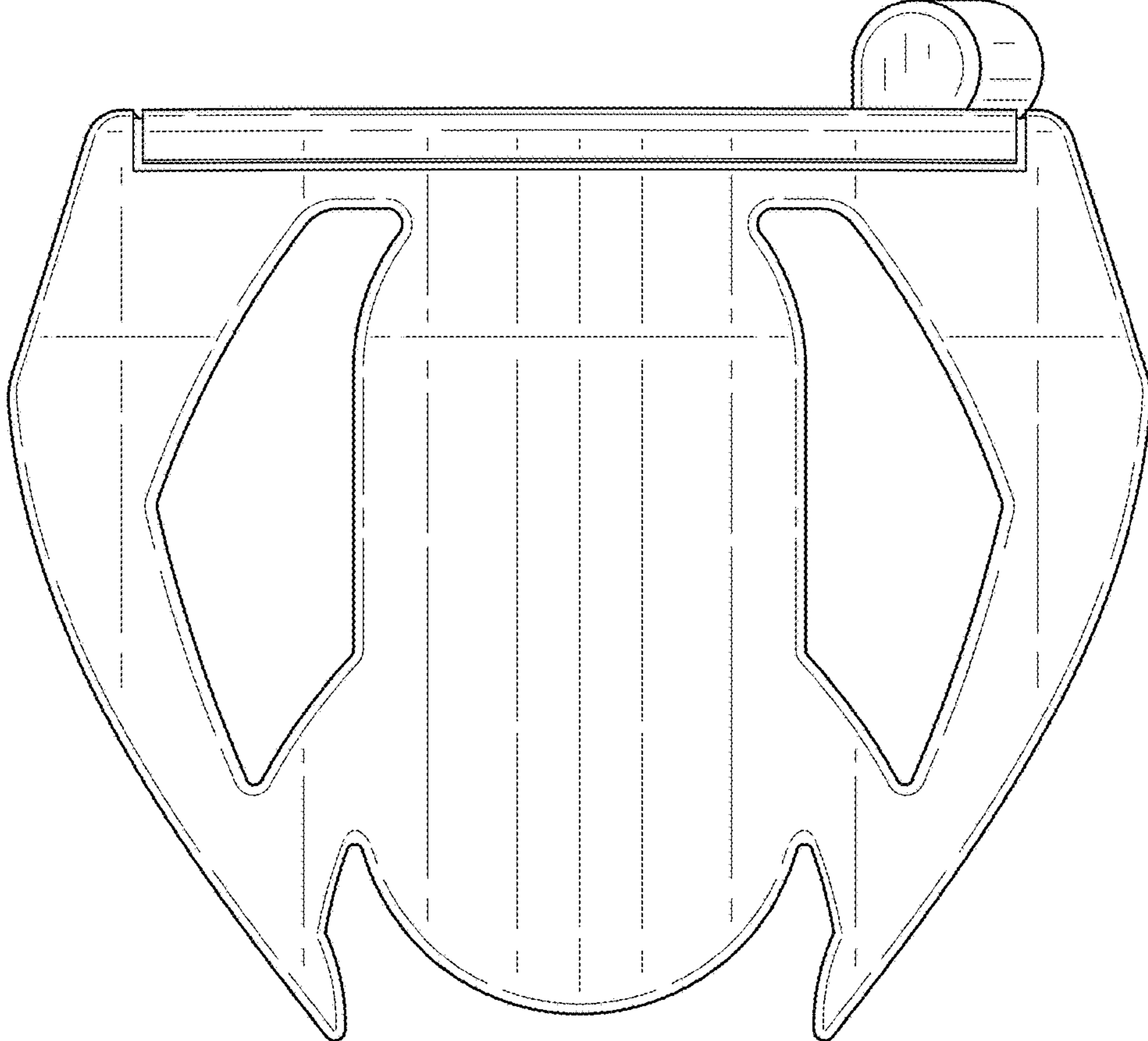


FIG. 12

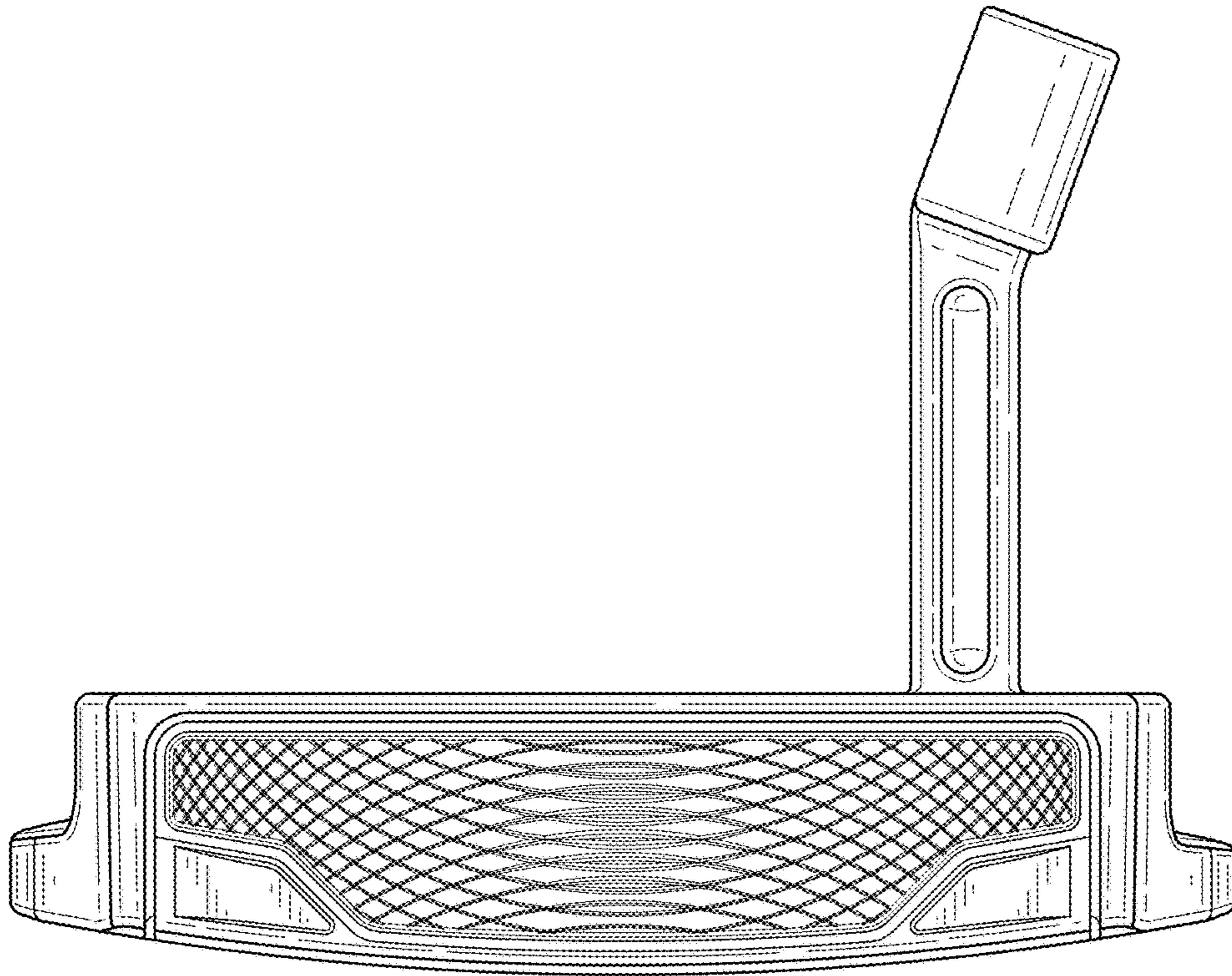


FIG. 13

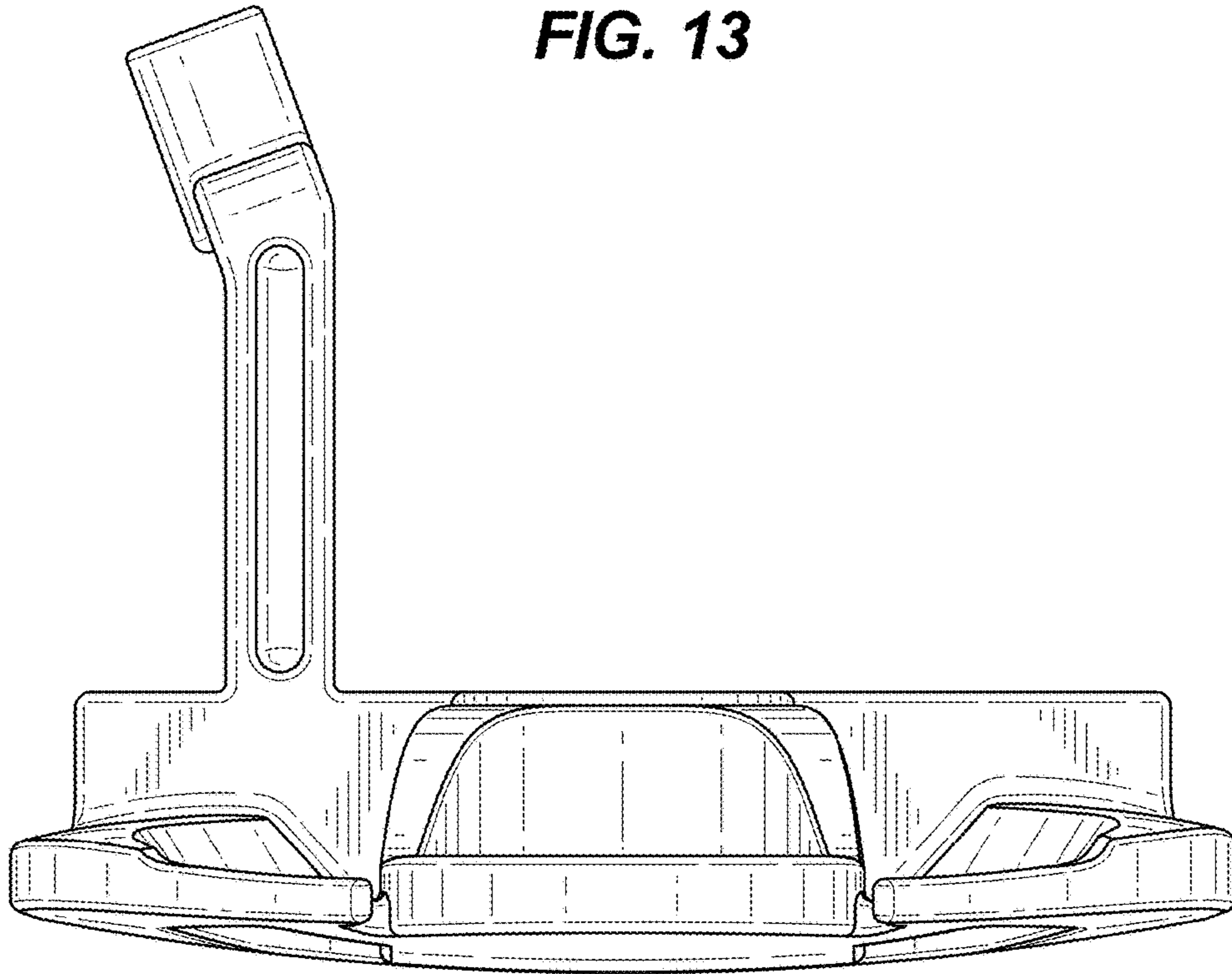


FIG. 14

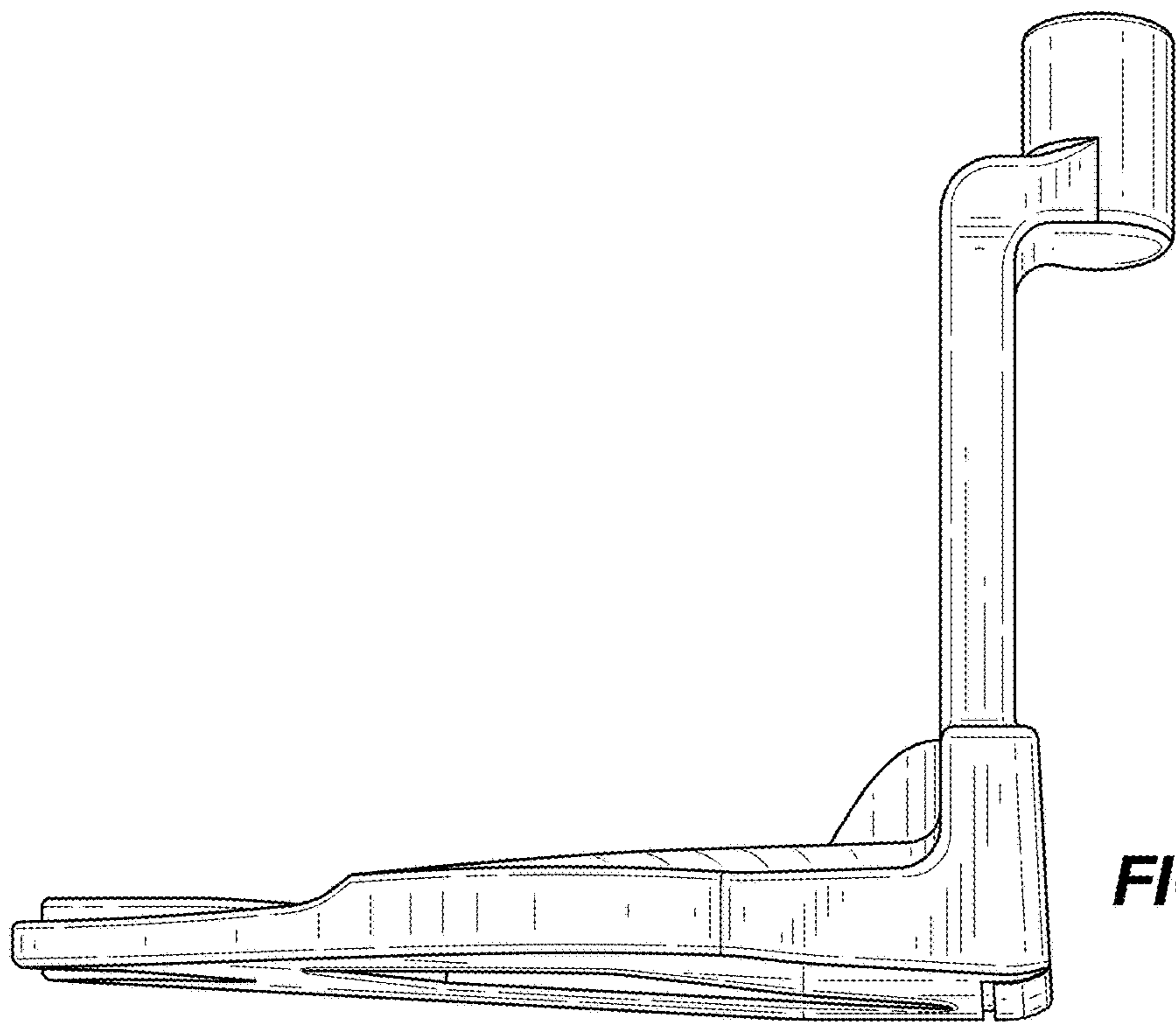


FIG. 15

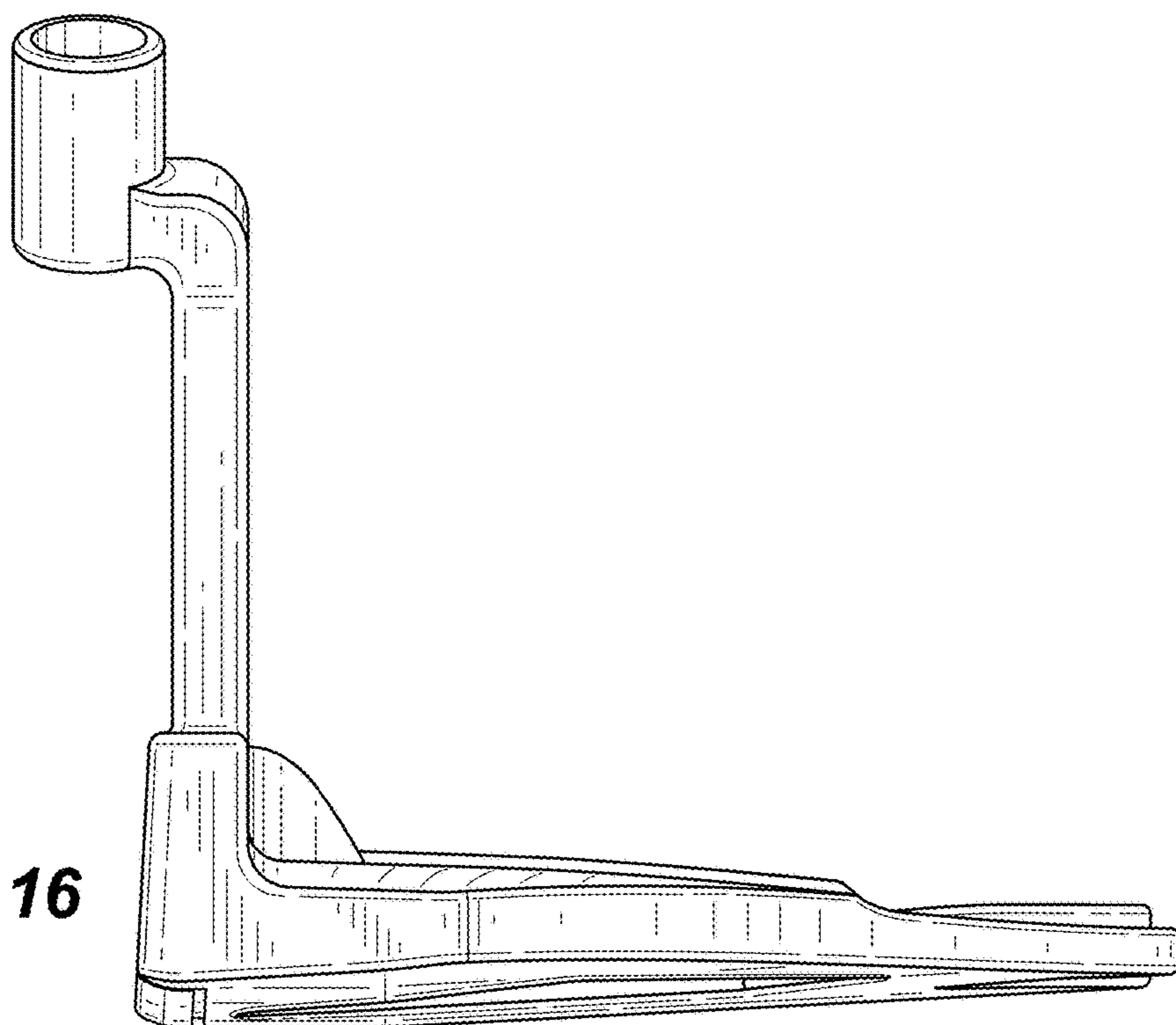


FIG. 16