



US00D852299S

(12) **United States Design Patent** (10) **Patent No.:** **US D852,299 S**
Payne (45) **Date of Patent:** **** Jun. 25, 2019**

(54) **GOLF PUTTER HEAD**
(71) Applicant: **James S. Payne**, Oxford, MS (US)
(72) Inventor: **James S. Payne**, Oxford, MS (US)
(**) Term: **15 Years**
(21) Appl. No.: **29/659,500**
(22) Filed: **Aug. 9, 2018**
(51) **LOC (11) Cl.** **21-02**
(52) **U.S. Cl.**
USPC **D21/736**
(58) **Field of Classification Search**
USPC D21/736-746, 759
CPC A63B 53/00; A63B 53/04; A63B 53/007;
A63B 53/065; A63B 53/0487; A63B
60/00; A63B 60/46
See application file for complete search history.

D669,145 S * 10/2012 Roland D21/736
D680,181 S * 4/2013 Roland D21/759
D681,756 S * 5/2013 Wong D21/744
D697,567 S * 1/2014 Cynn D21/742
8,632,415 B1 * 1/2014 Smith A63B 47/04
473/286
D707,314 S * 6/2014 Mickle D21/736
D710,958 S * 8/2014 Mickle D21/736
D710,959 S * 8/2014 Mickle D21/736
8,888,605 B2 * 11/2014 Cynn A63B 53/0487
473/249
D741,428 S * 10/2015 Wong D21/745
9,227,116 B2 * 1/2016 Cynn A63B 53/04
D757,192 S 5/2016 Hanson
D793,501 S * 8/2017 Cynn D21/735
D799,614 S * 10/2017 Cynn D21/735
D828,471 S * 9/2018 Payne D21/759
2010/0227704 A1 * 9/2010 Souza A63B 53/0487
473/340

* cited by examiner

Primary Examiner — Mitchell I. Siegel
(74) *Attorney, Agent, or Firm* — Armstrong Teasdale LLP

(56) **References Cited**

U.S. PATENT DOCUMENTS

D257,869 S * 1/1981 MacDougall D21/739
D257,870 S * 1/1981 MacDougall D21/739
D268,691 S * 4/1983 Collins D21/739
4,934,702 A * 6/1990 Serizawa A63B 47/02
473/251
D375,131 S 10/1996 Williams
D399,900 S 10/1998 Hogan
5,924,938 A 7/1999 Hines
D424,145 S * 5/2000 Minami D21/744
D517,624 S 3/2006 Wilson
D520,089 S 5/2006 Garcia
D536,758 S * 2/2007 Blankenship D21/736
D537,134 S * 2/2007 Imamoto D21/736
D539,370 S * 3/2007 Imamoto D21/736
D541,894 S * 5/2007 Imamoto D21/736
D564,053 S * 3/2008 Blankenship D21/736
D572,325 S * 7/2008 Baer D21/746
D607,950 S * 1/2010 Souza D21/736
D666,260 S 8/2012 Cynn

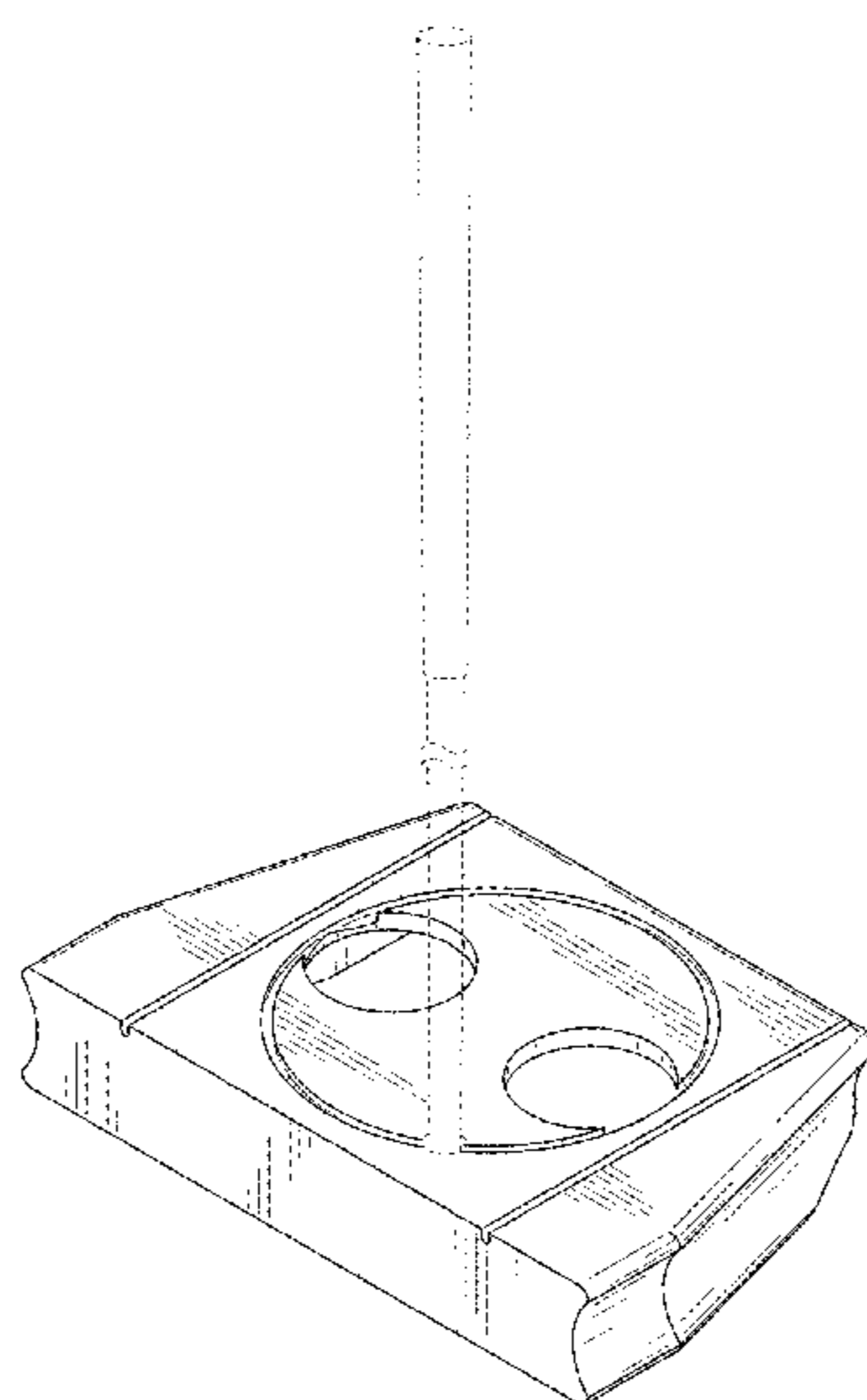
(57) **CLAIM**

The ornamental design for a golf putter head, as shown and described.

DESCRIPTION

FIG. 1 is a perspective view of a golf putter head of my new design;
FIG. 2 is a front elevation thereof;
FIG. 3 is a rear elevation thereof;
FIG. 4 is a right side elevation thereof;
FIG. 5 is a left side elevation thereof;
FIG. 6 is a top plan thereof; and,
FIG. 7 is a bottom plan thereof.
The broken line showing is included for the purpose of illustrating unclaimed subject matter and forms no part of the claimed design.

1 Claim, 7 Drawing Sheets



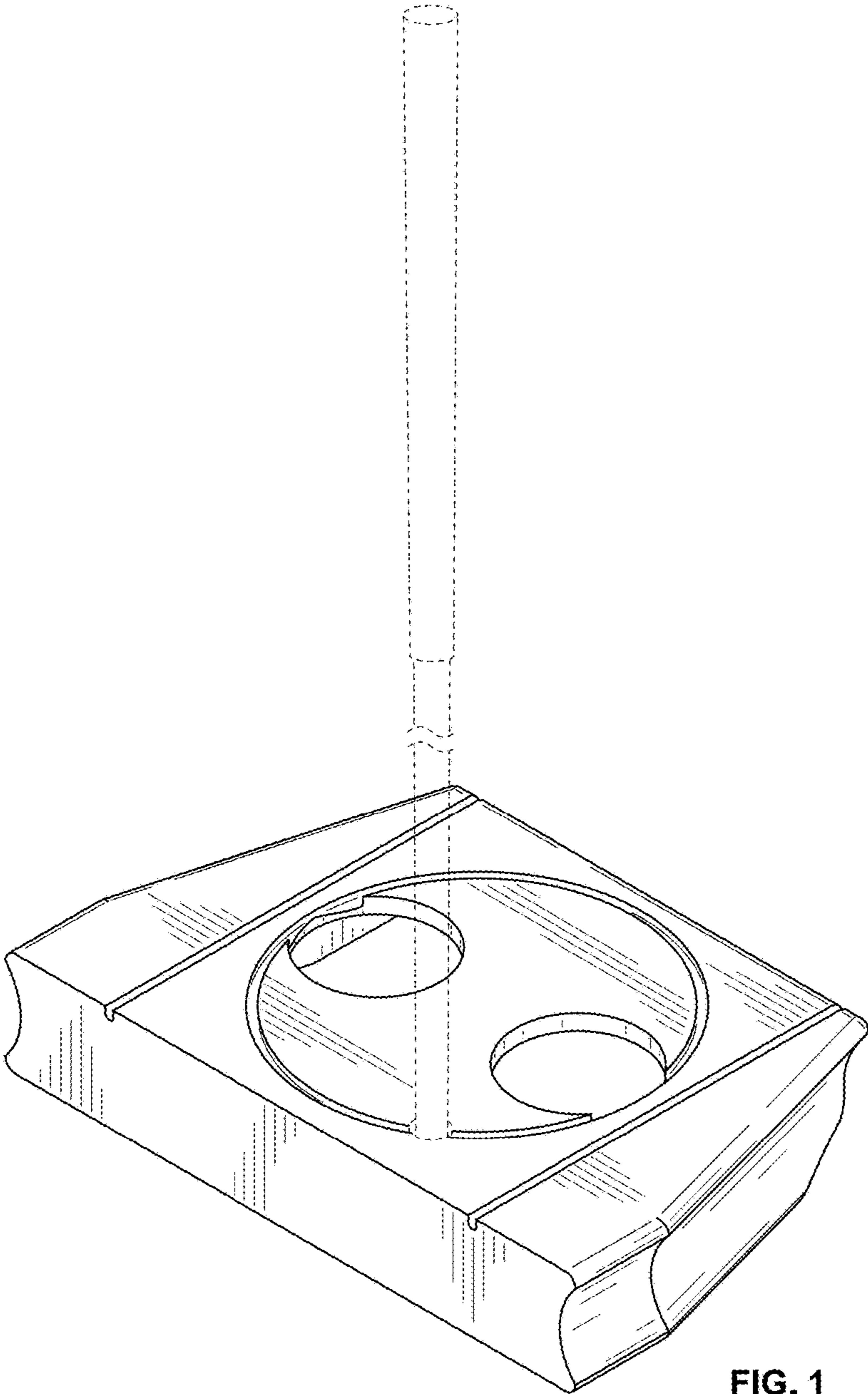


FIG. 1

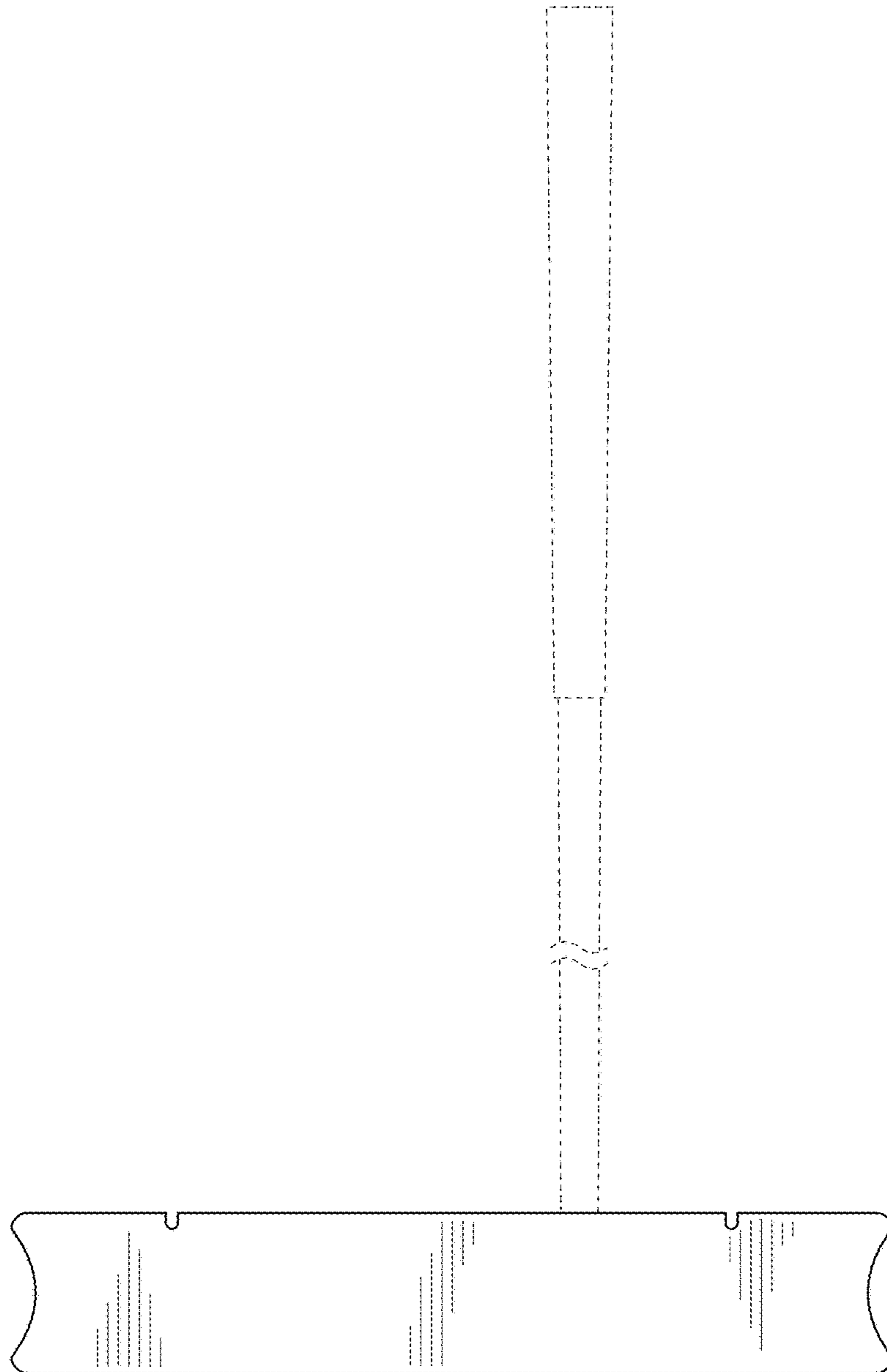


FIG. 2

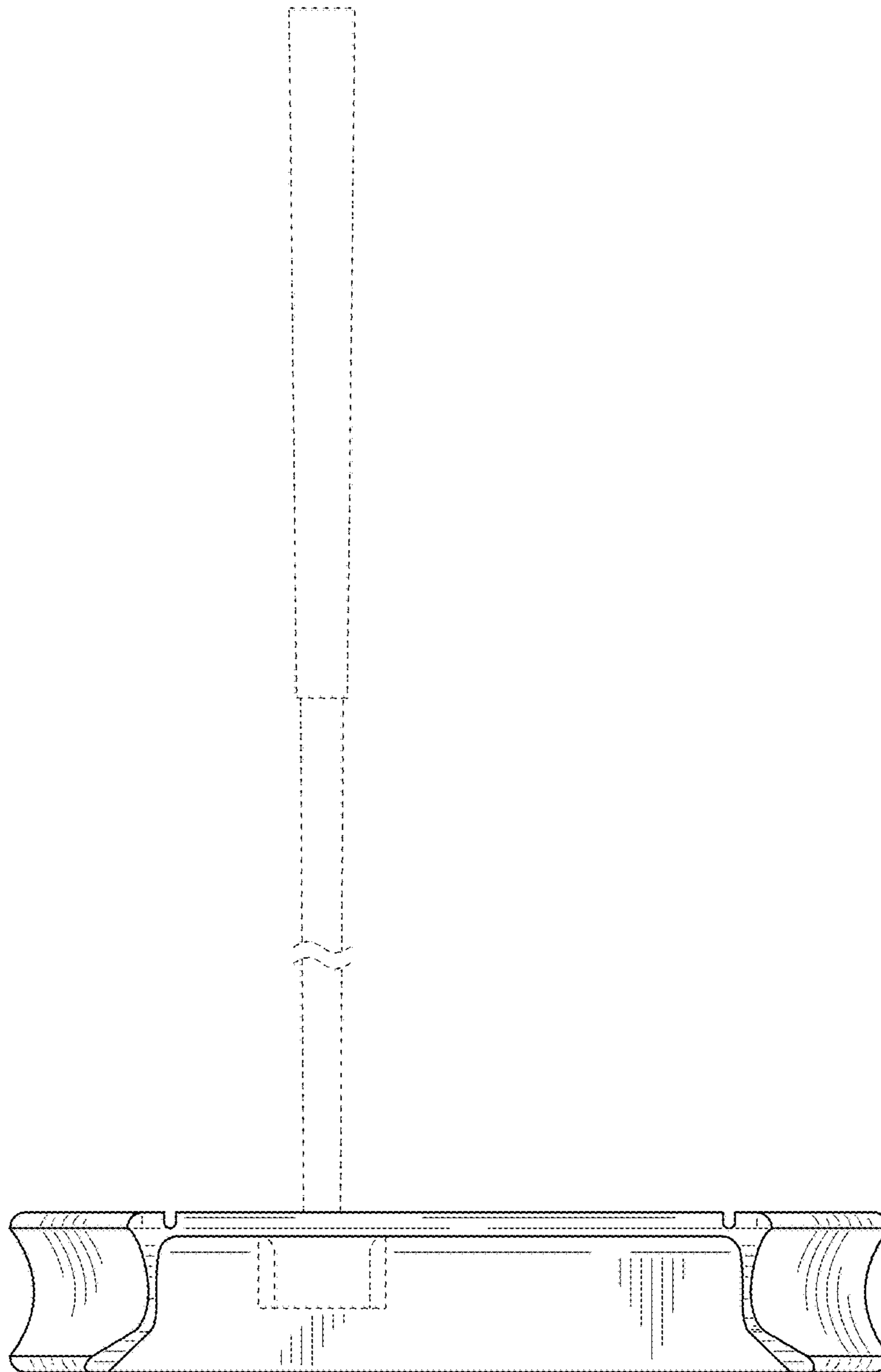


FIG. 3

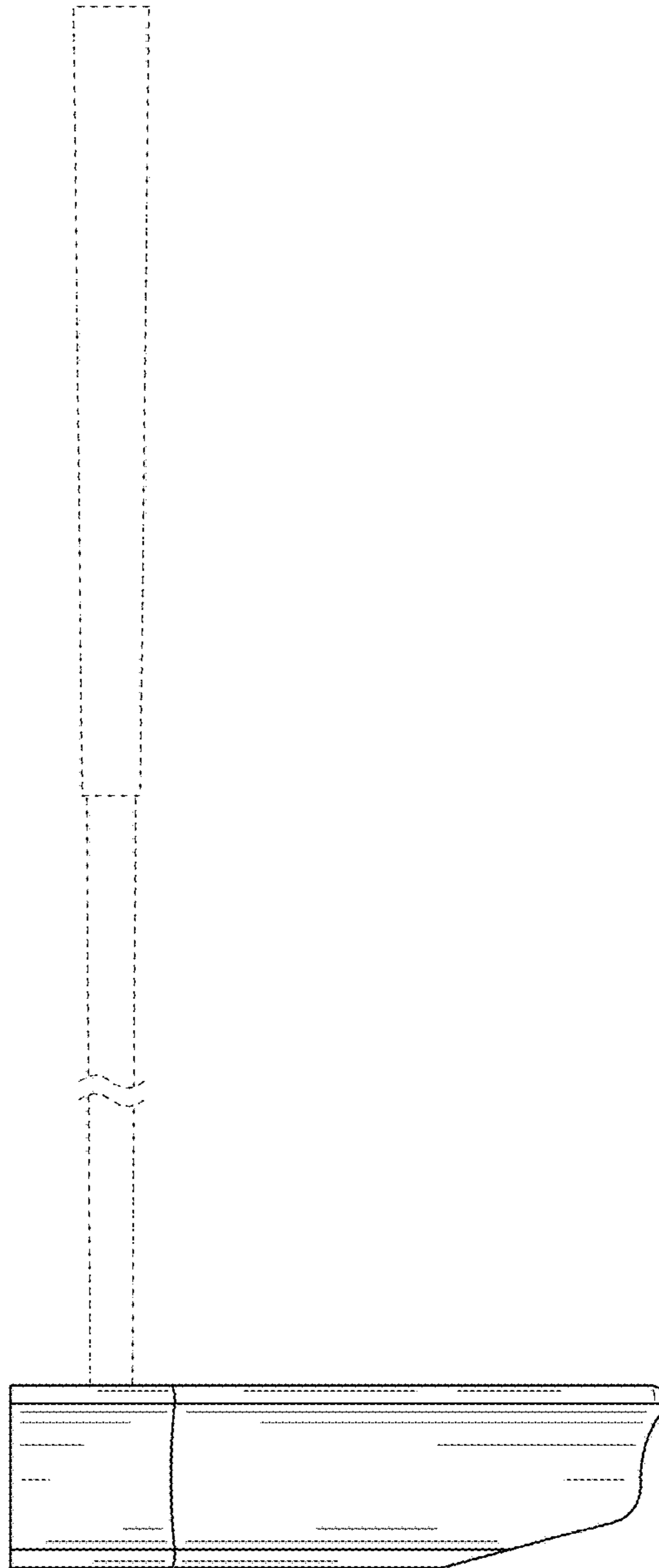


FIG. 4

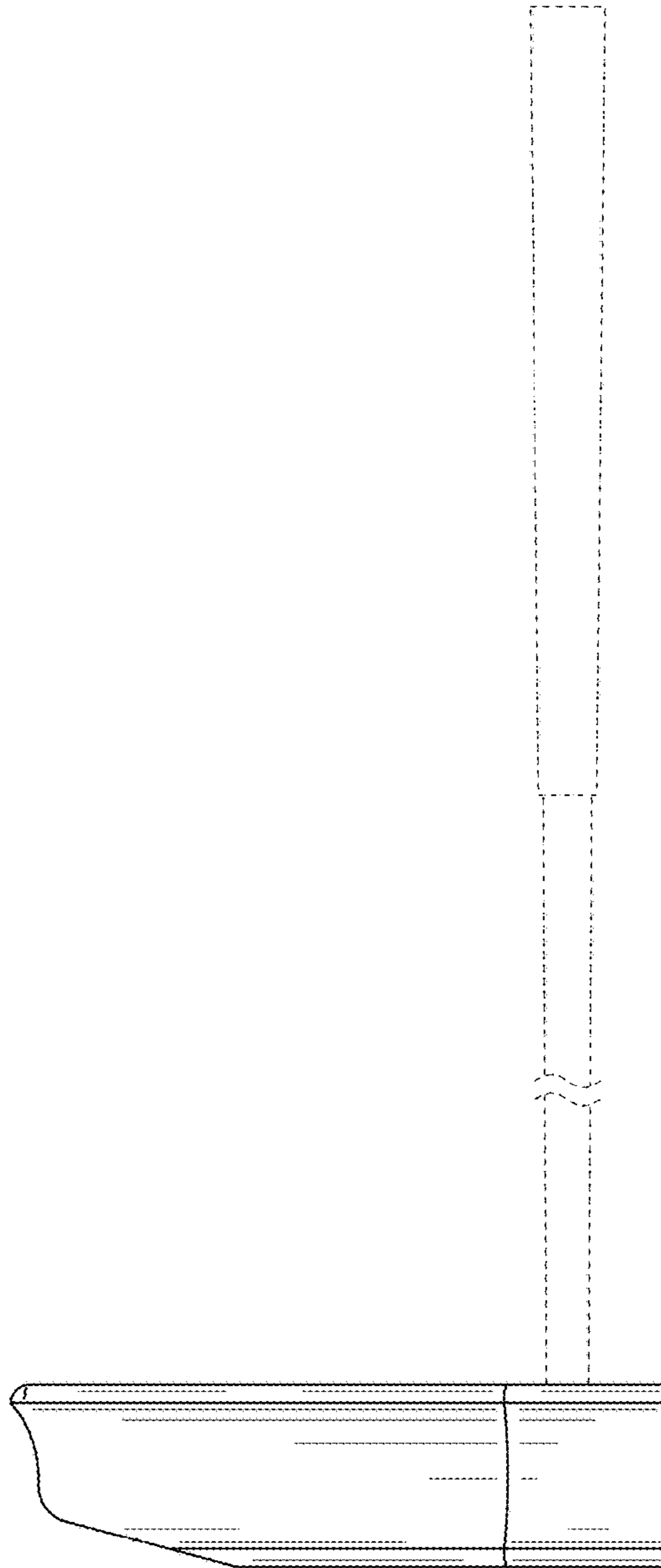


FIG. 5

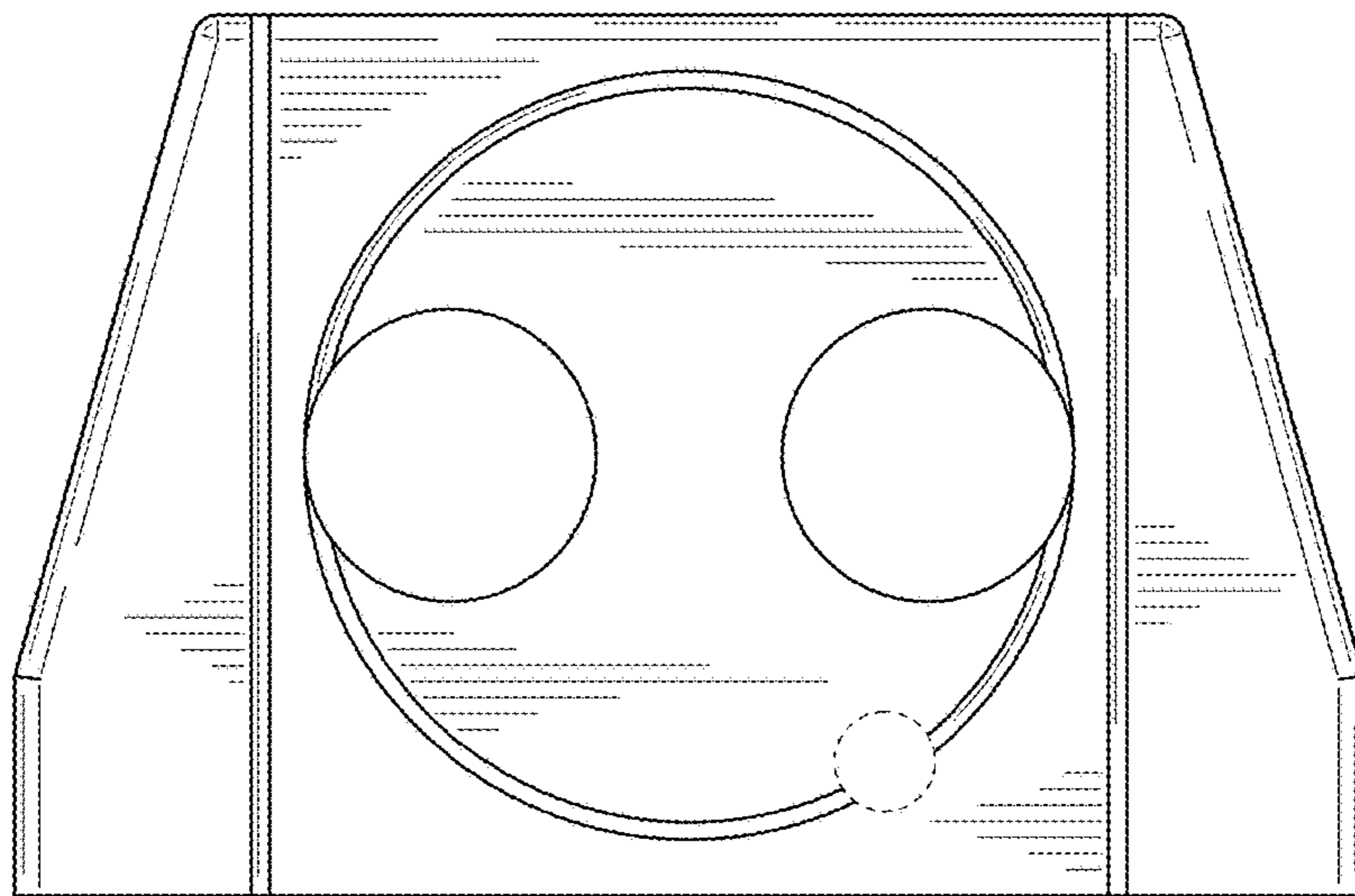


FIG. 6

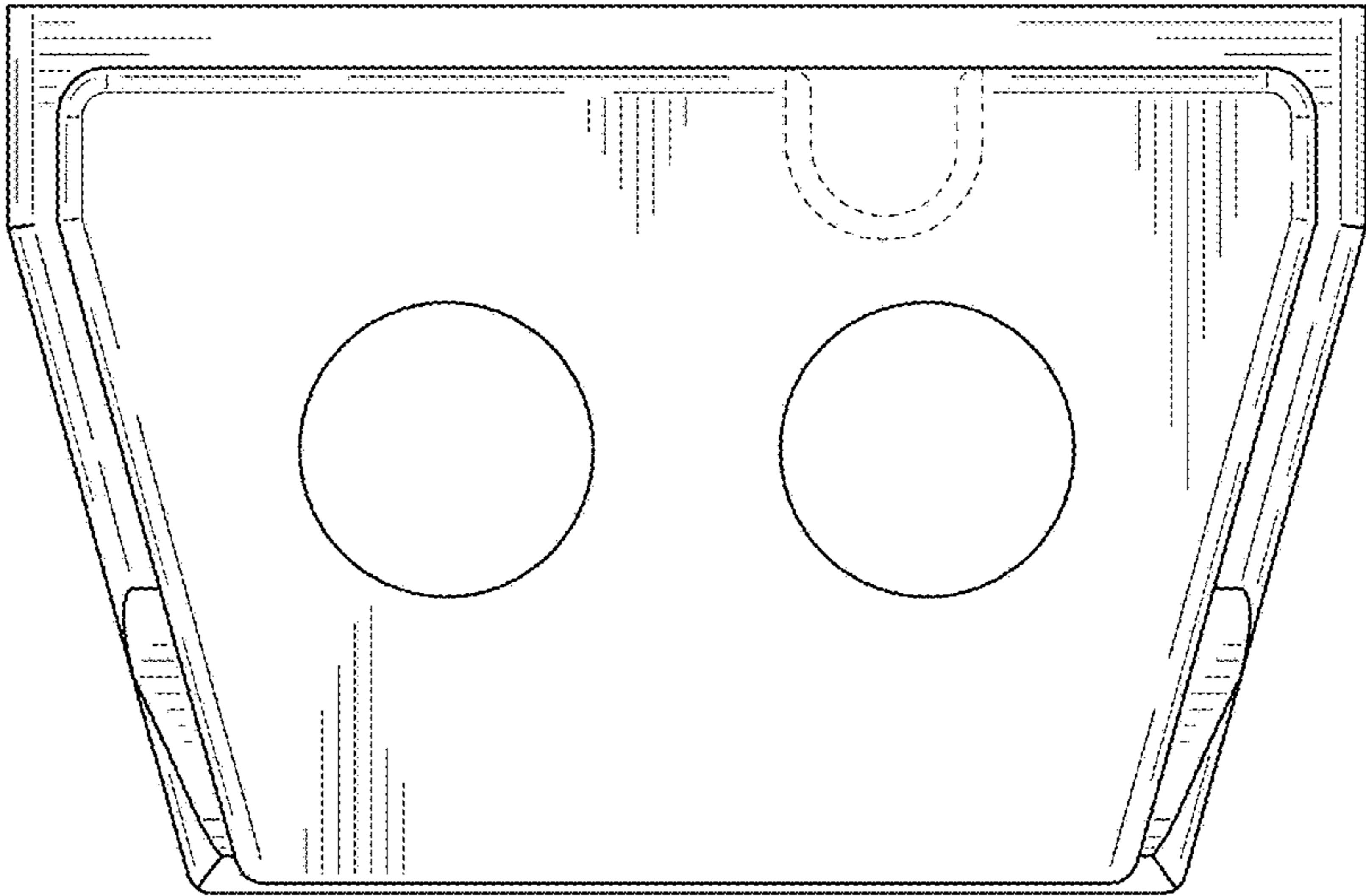


FIG. 7