



US00D852298S

(12) **United States Design Patent**
Essex

(10) **Patent No.:** **US D852,298 S**
(45) **Date of Patent:** **** Jun. 25, 2019**

(54) **GOLF PUTTER**
(71) Applicant: **Walker Essex**, Nobleton (CA)
(72) Inventor: **Walker Essex**, Nobleton (CA)
(**) Term: **15 Years**
(21) Appl. No.: **29/632,776**
(22) Filed: **Jan. 10, 2018**
(51) **LOC (11) Cl.** **21-02**
(52) **U.S. Cl.**
USPC **D21/736; D21/757**
(58) **Field of Classification Search**
USPC D21/736-746, 756-759
CPC A63B 53/00; A63B 53/04; A63B 53/007;
A63B 53/065; A63B 53/0487; A63B
60/00; A63B 60/46; A63B 53/10; A63B
53/12; A63B 53/14
See application file for complete search history.

D398,683 S * 9/1998 Masuda D21/736
D398,684 S * 9/1998 Masuda D21/736
D425,951 S * 5/2000 Davis D21/736
D435,077 S * 12/2000 Bertrand D21/791
6,190,266 B1 * 2/2001 Pamas A63B 53/02
473/294
D446,565 S * 8/2001 Davis D21/736
7,048,643 B2 5/2006 Welsh et al.
7,306,526 B2 12/2007 Back
7,431,663 B2 10/2008 Pamas
D676,912 S * 2/2013 Lee D21/757
D752,166 S * 3/2016 Kozac D21/727
D767,055 S * 9/2016 Randle, Sr. D21/725
D797,871 S * 9/2017 Sebo D21/736
10,039,968 B2 * 8/2018 Beckett A63B 69/38
2009/0239675 A1 * 9/2009 Wallace A63B 21/0552
473/220
2012/0172157 A1 * 7/2012 McCrory A63B 69/0002
473/457
2016/0325165 A1 * 11/2016 Thomas, III A63B 69/0002

FOREIGN PATENT DOCUMENTS

WO WO2008063196 5/2008

* cited by examiner

Primary Examiner — Mitchell I. Siegel

(56) **References Cited**
U.S. PATENT DOCUMENTS

D203,756 S * 2/1966 Norwood D21/741
3,246,894 A * 4/1966 Salisbury A63B 69/0002
473/457
3,462,155 A * 8/1969 Pelz A63B 53/007
473/238
3,874,668 A * 4/1975 Flege A63B 69/3685
473/227
D256,824 S * 9/1980 Ward 473/303
4,795,153 A * 1/1989 Thomas A63B 53/007
473/316
5,127,650 A 7/1992 Schneller
5,267,733 A 12/1993 Szokola
5,328,185 A * 7/1994 Finnigan A63B 53/007
473/294
5,616,087 A * 4/1997 Bothwell A63B 53/00
473/316
5,792,002 A * 8/1998 Bothwell A63B 53/00
473/316

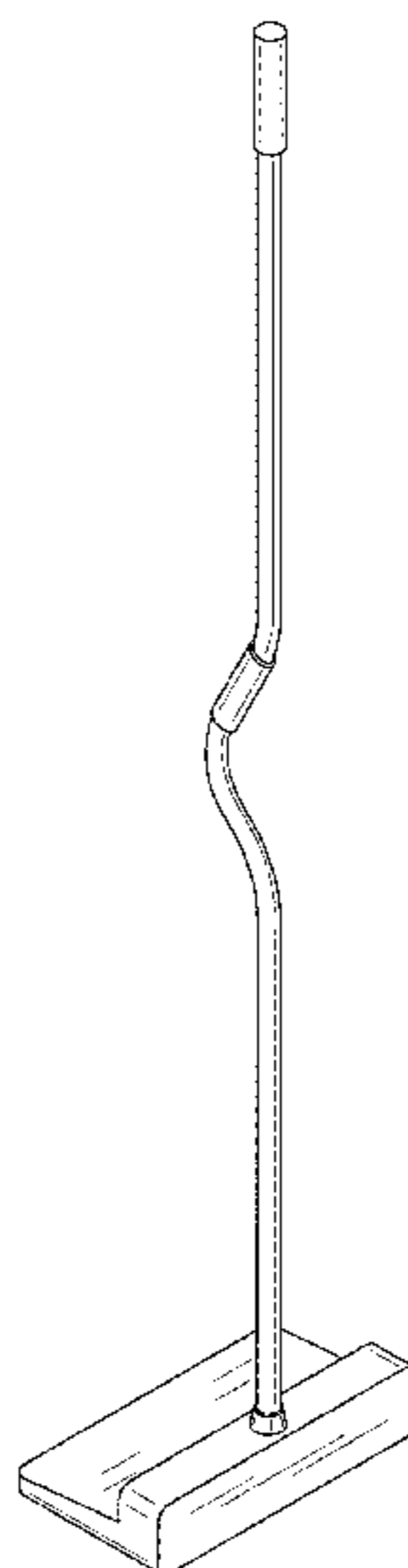
(57) **CLAIM**

The ornamental design for a golf putter, as shown and described.

DESCRIPTION

FIG. 1 is a front view of a golf putter showing my new design, a rear view being a mirror image thereof;
FIG. 2 is a left side view of the golf putter;
FIG. 3 is a right side view of the golf putter;
FIG. 4 is a top view of the golf putter;
FIG. 5 is a bottom view of the golf putter; and,
FIG. 6 is a top front side perspective view of the golf putter.

1 Claim, 3 Drawing Sheets



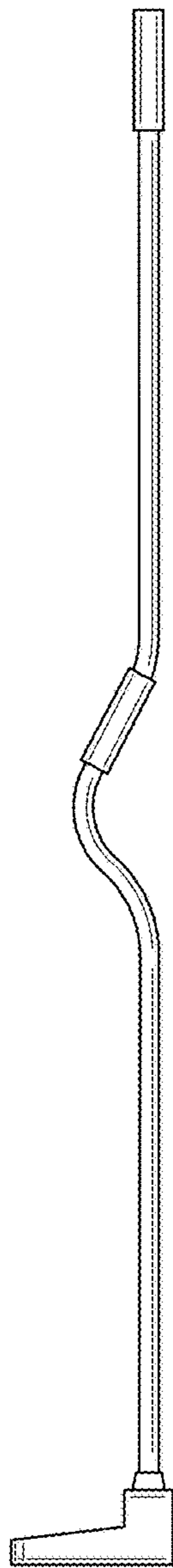


FIG. 1

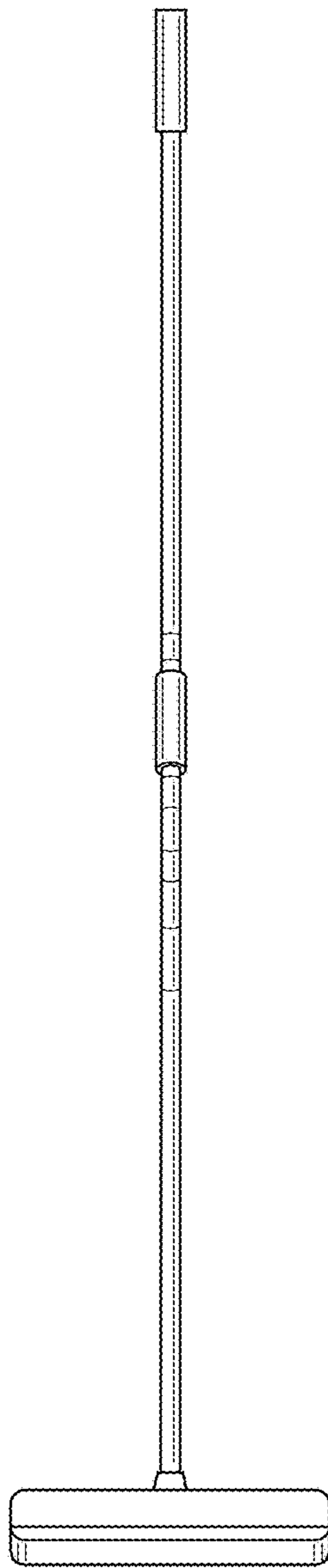


FIG. 2

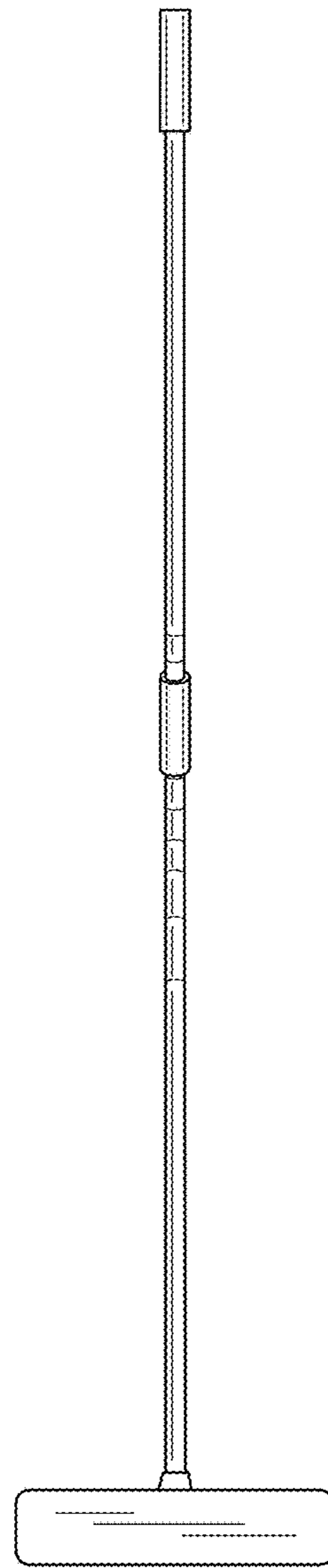


FIG. 3

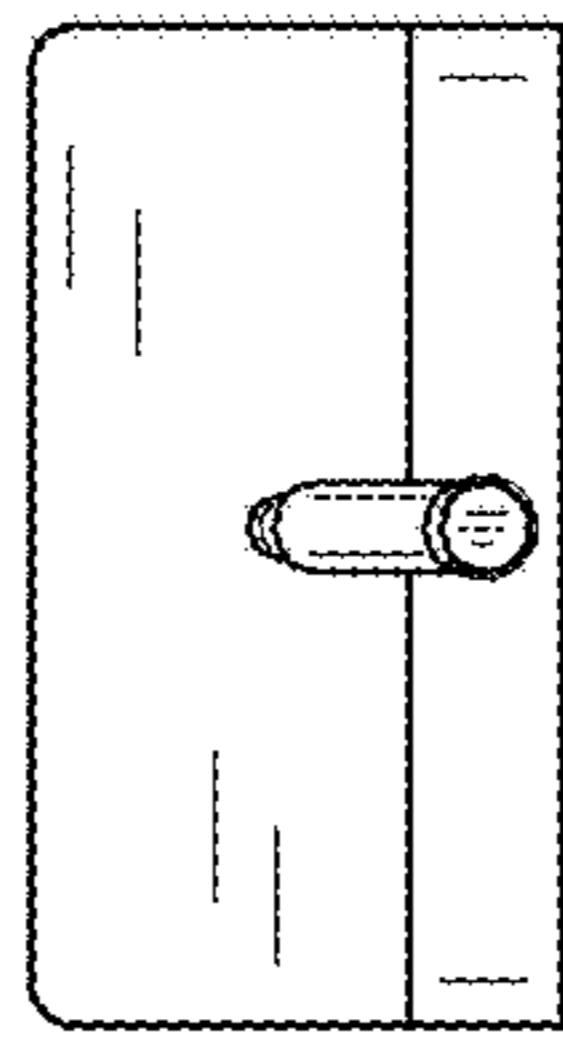


FIG. 4

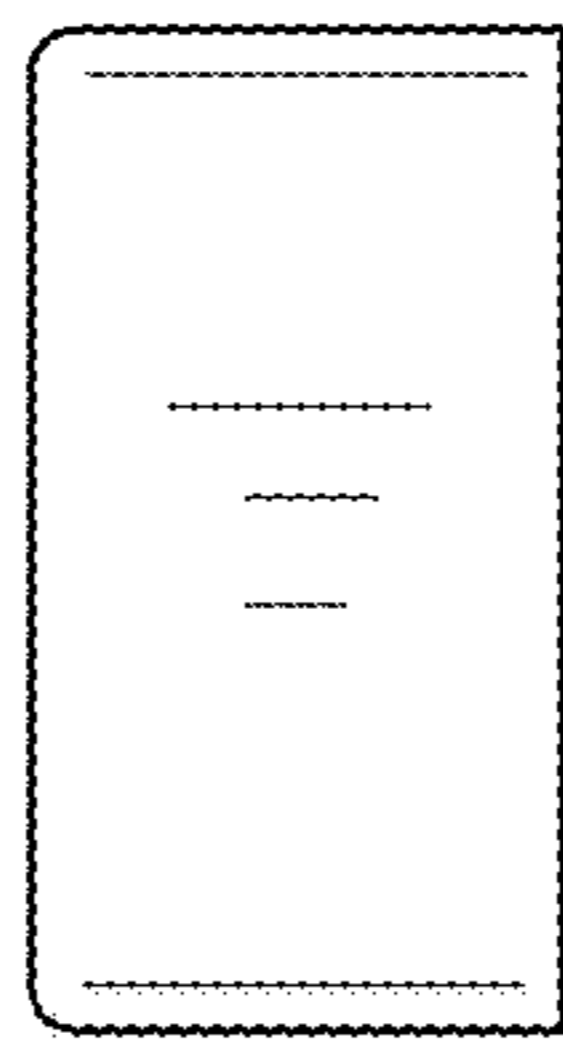


FIG. 5

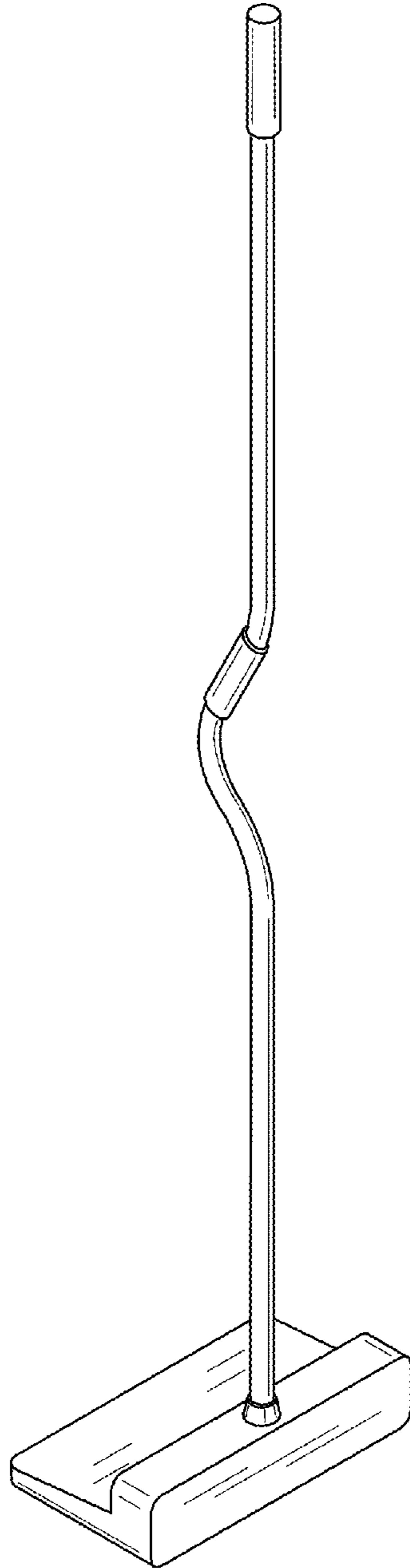


FIG. 6