



US00D852296S

(12) **United States Design Patent**
Slider et al.

(10) **Patent No.:** **US D852,296 S**
(45) **Date of Patent:** **** Jun. 25, 2019**

- (54) **GATE**
- (71) Applicant: **DRONE RACING LEAGUE, INC.**,
New York, NY (US)
- (72) Inventors: **James Slider**, Brooklyn, NY (US);
Ashley Ellefson, Brooklyn, NY (US);
Nicholas Horbaczewski, New York,
NY (US); **Paul Ciesiun**, Mokena, IL
(US); **Adam Fabianski**, New Lenox, IL
(US)
- (73) Assignee: **Drone Racing League, Inc.**, New York,
NY (US)
- (**) Term: **15 Years**
- (21) Appl. No.: **29/610,368**
- (22) Filed: **Jul. 12, 2017**
- (51) **LOC (11) Cl.** **21-02**
- (52) **U.S. Cl.**
USPC **D21/706**
- (58) **Field of Classification Search**
USPC D21/699, 705, 706, 708, 712, 718, 722,
D21/788, 790, 811, 814, 818, 820, 824,
D21/835, 836; 52/655.1; 206/501;
273/369, 400; 446/126; 472/116-117,
472/136, 137; 473/422, 434, 435, 439;
482/35, 36
CPC A63G 31/12; A63B 9/00
See application file for complete search history.

- D410,713 S * 6/1999 Sherwood D21/699
- D422,667 S * 4/2000 Lau D21/814
- D531,685 S * 11/2006 Frankel D21/699
- 7,198,274 B2 * 4/2007 Cho A63B 63/004
273/400
- D583,807 S * 12/2008 O'Con D14/239
- D615,130 S * 5/2010 Smith D21/303
- 8,651,980 B2 * 2/2014 Jackson A63B 63/00
473/422
- 2005/0284031 A1 * 12/2005 Chen A63G 31/12
52/2.11

OTHER PUBLICATIONS

“The rise of Dron Racing in London”, posted Jun. 15, 2017 [online],
[retrieved Sep. 12, 2018]. Retrieved from internet, <https://www.youtube.com/watch?v=2UFTSkMu0uY>.*
“DRL Mardi Gras”, posted Jan. 9, 2018 [online], [retrieved Sep. 12,
2018]. Retrieved from internet, https://www.youtube.com/watch?v=_k1SC7XT8Vk.*

* cited by examiner

Primary Examiner — Barbara Fox
Assistant Examiner — Mehri F Bajoul
(74) *Attorney, Agent, or Firm* — Vierra Magen Marcus
LLP

(57) **CLAIM**

The ornamental design for a gate, as shown and described.

DESCRIPTION

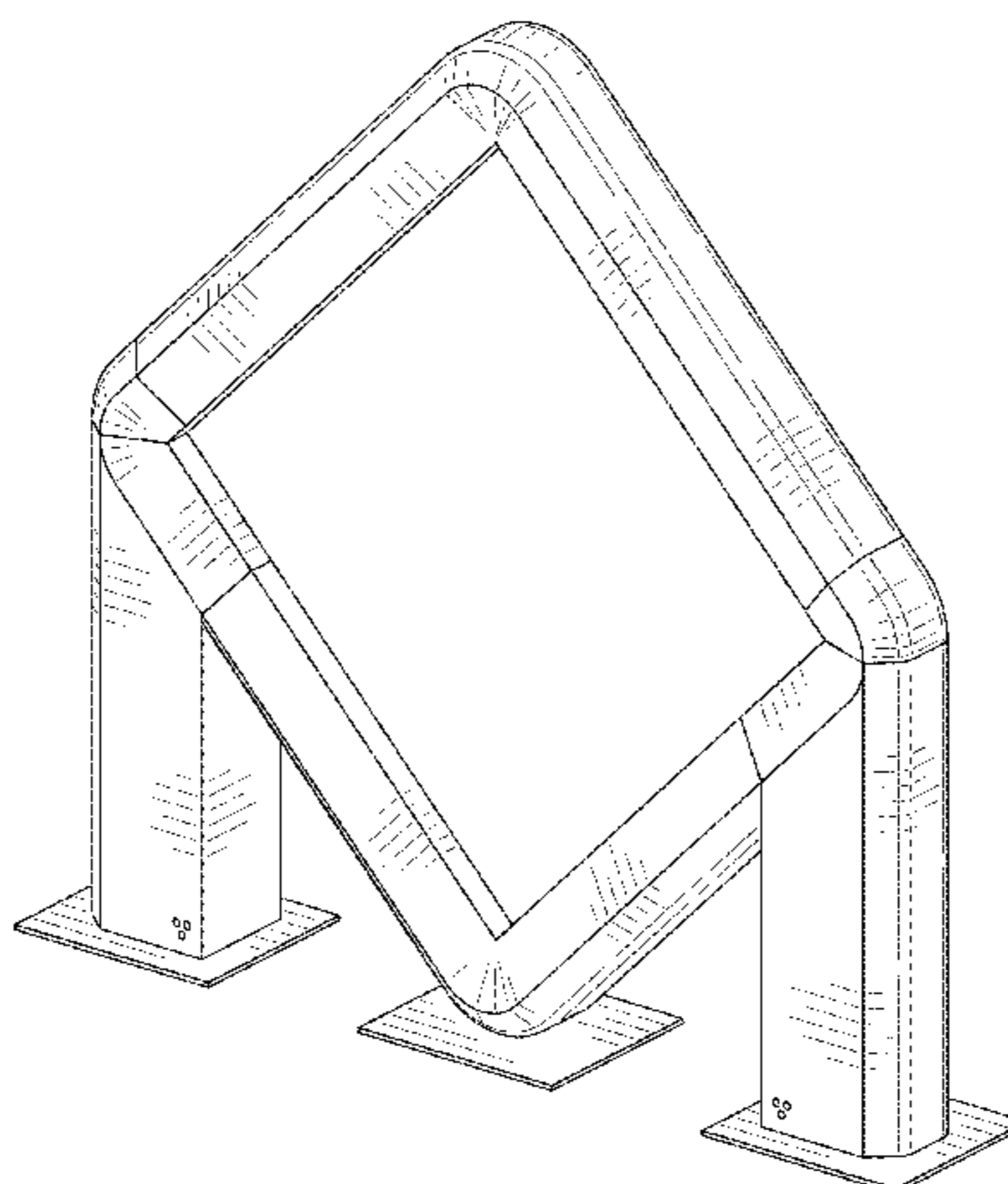
FIG. 1 is a front perspective view of a gate showing our design;
FIG. 2 is a rear perspective view of the gate;
FIG. 3 is a front view of the gate;
FIG. 4 is a rear view of the gate;
FIG. 5 is a first side view of the gate;
FIG. 6 is a second side view of the gate;
FIG. 7 is a top view of the gate; and,
FIG. 8 is a bottom view of the gate.

1 Claim, 6 Drawing Sheets

(56) **References Cited**

U.S. PATENT DOCUMENTS

- D293,364 S * 12/1987 Everard D21/815
- 4,718,668 A * 1/1988 Schipske A63B 63/00
473/462
- D317,033 S * 5/1991 Rains D21/705
- D358,896 S * 5/1995 Thompson D21/705
- D359,538 S * 6/1995 Hague D21/705



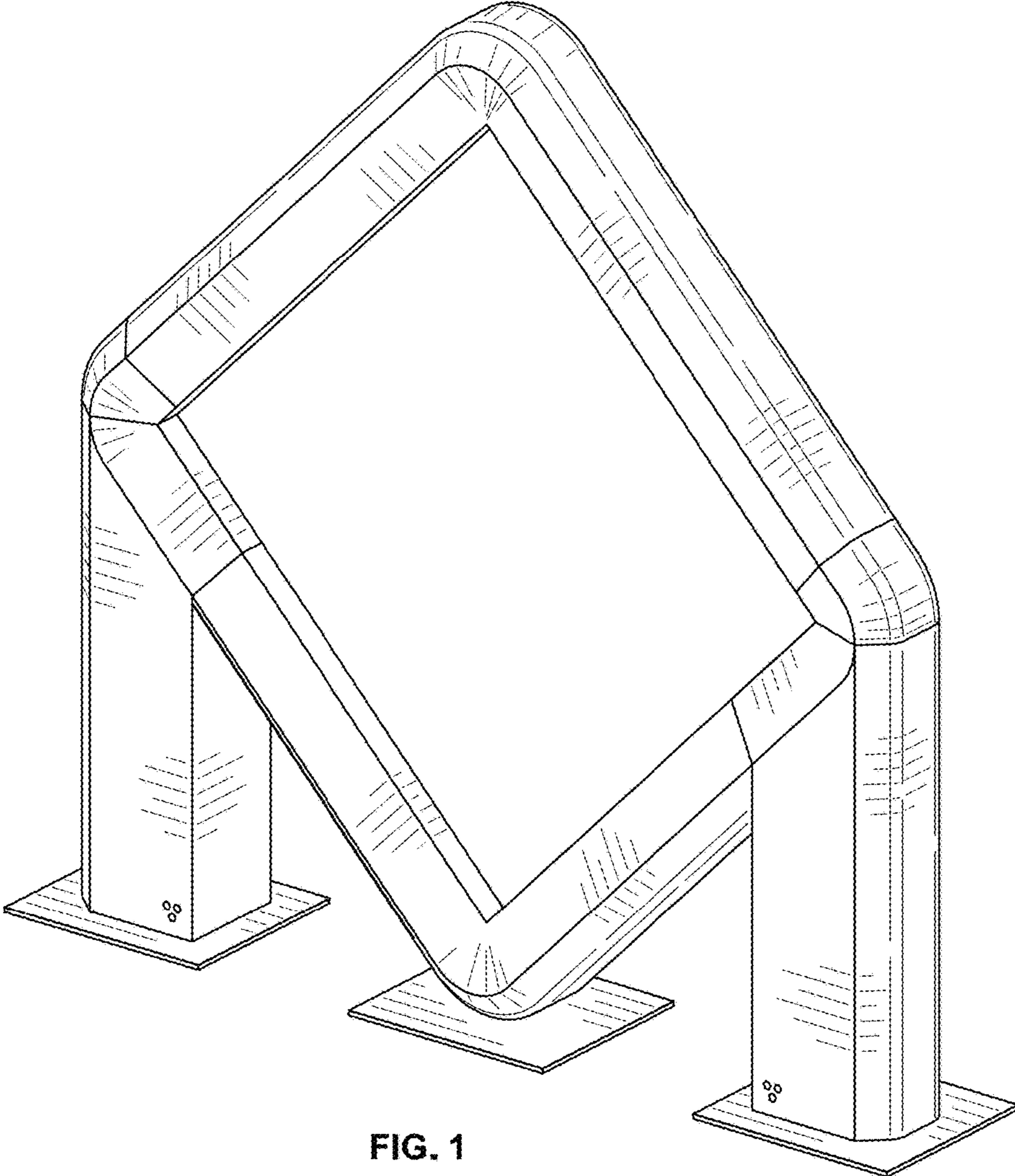


FIG. 1

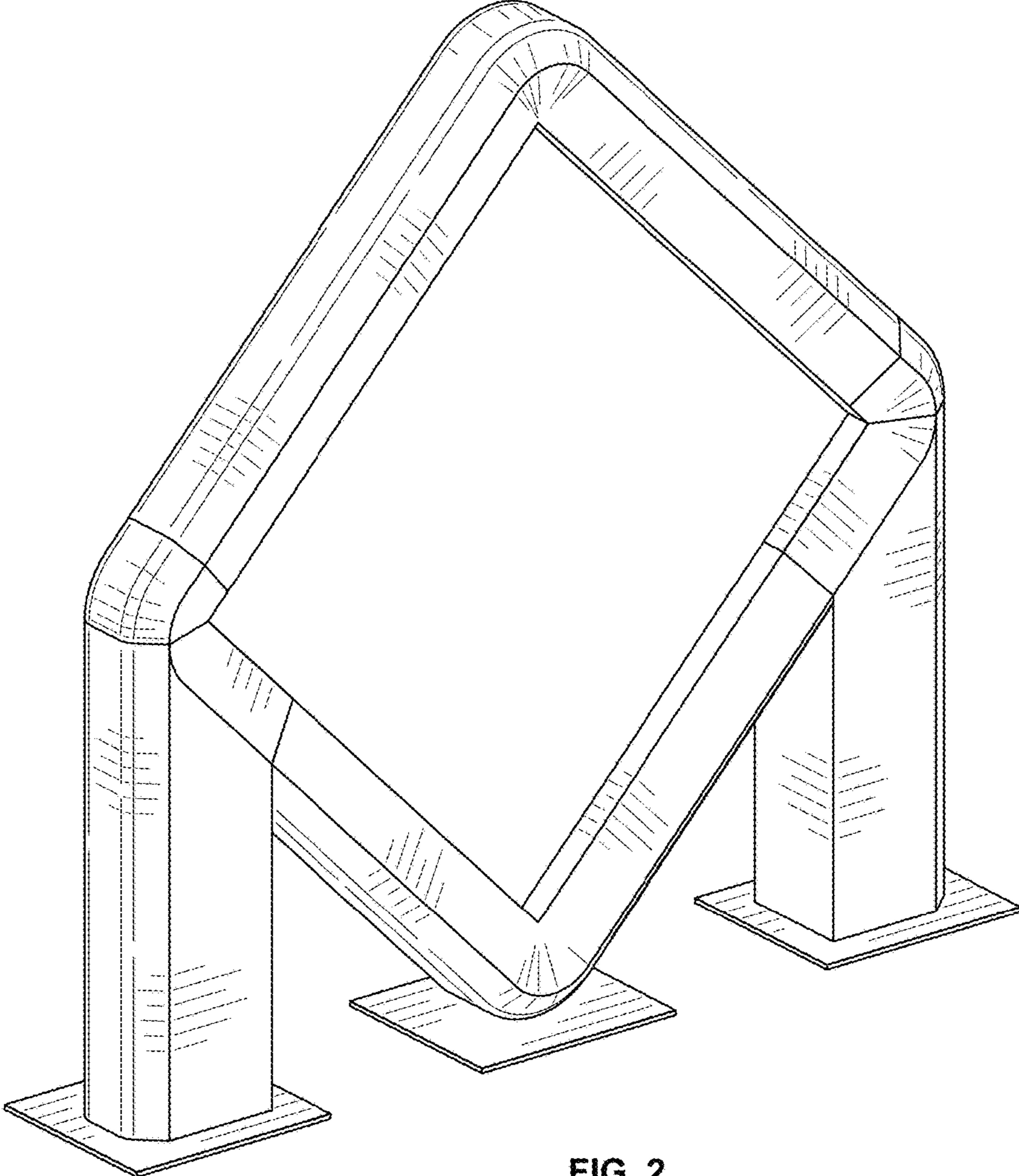


FIG. 2

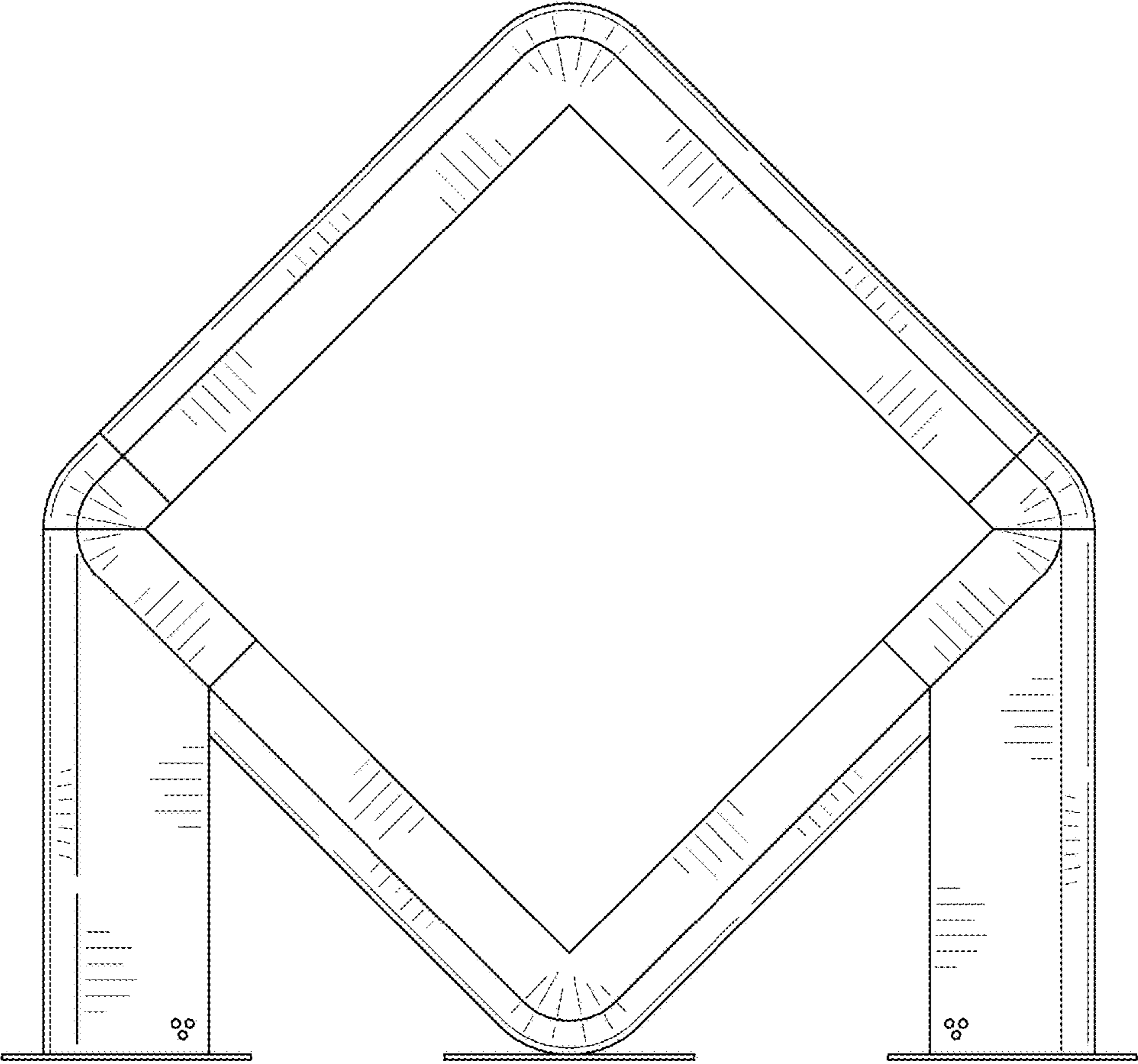


FIG. 3

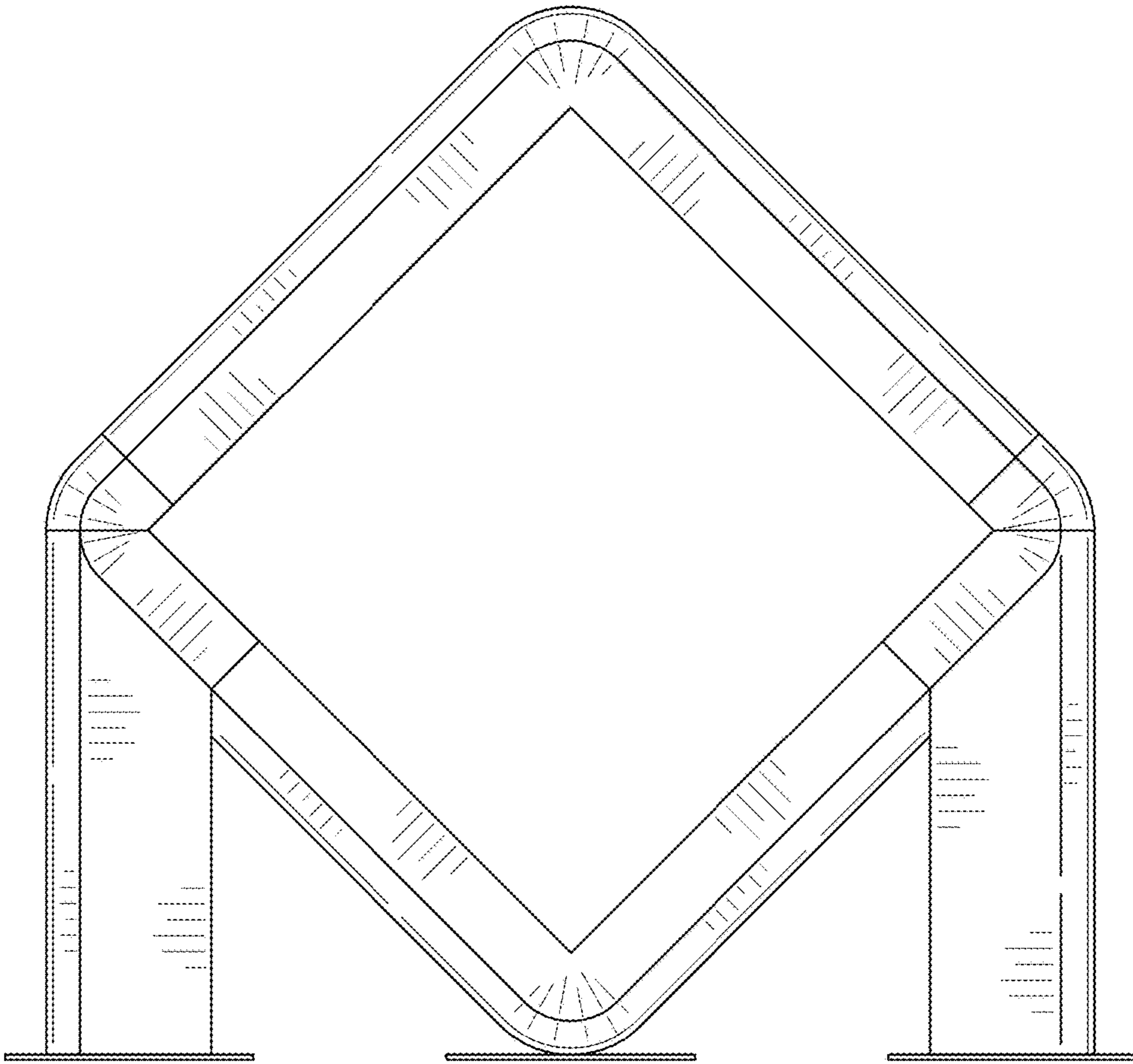


FIG. 4

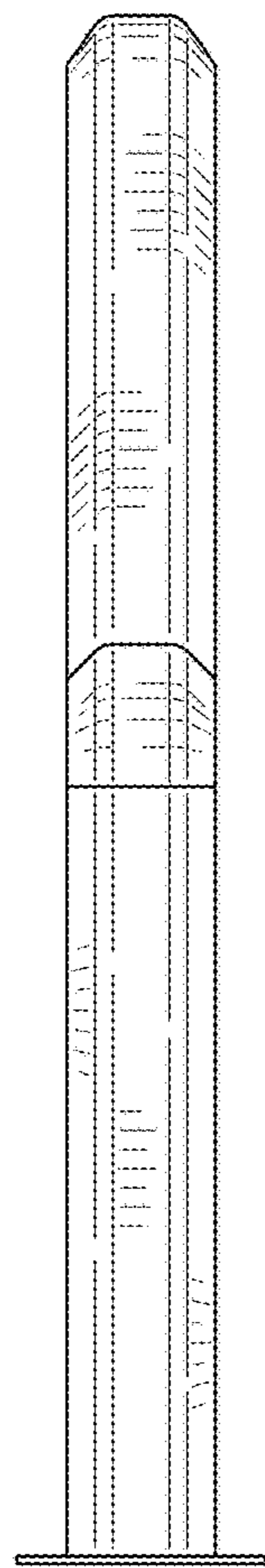


FIG. 5

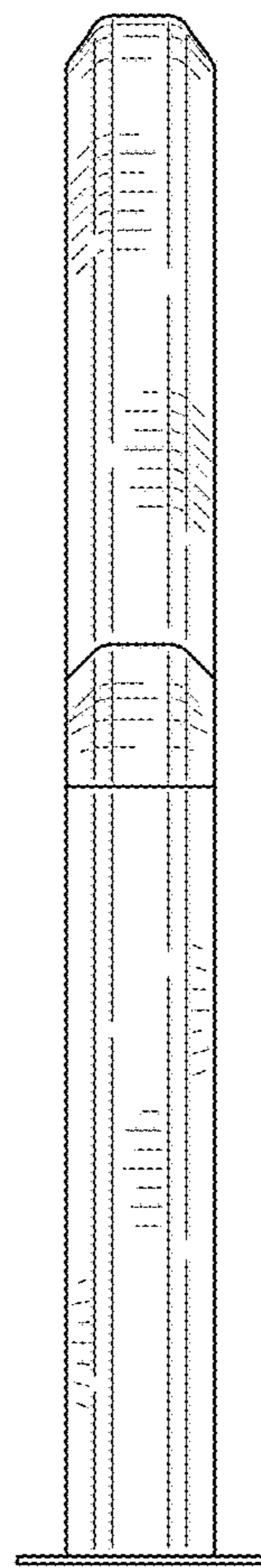


FIG. 6

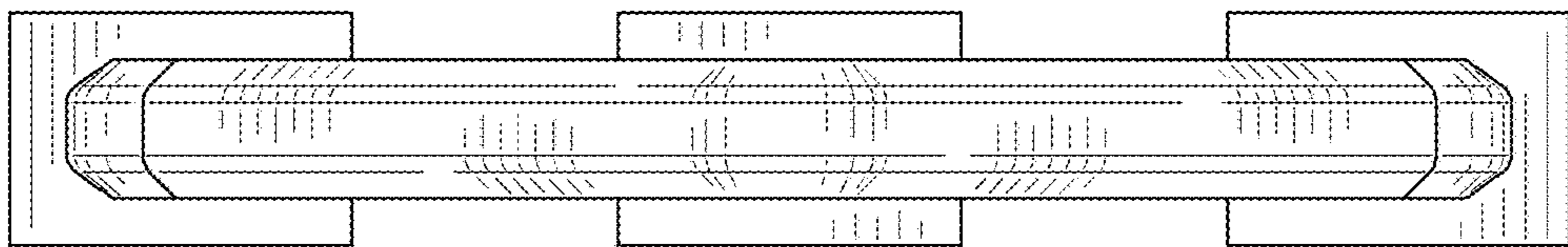


FIG. 7

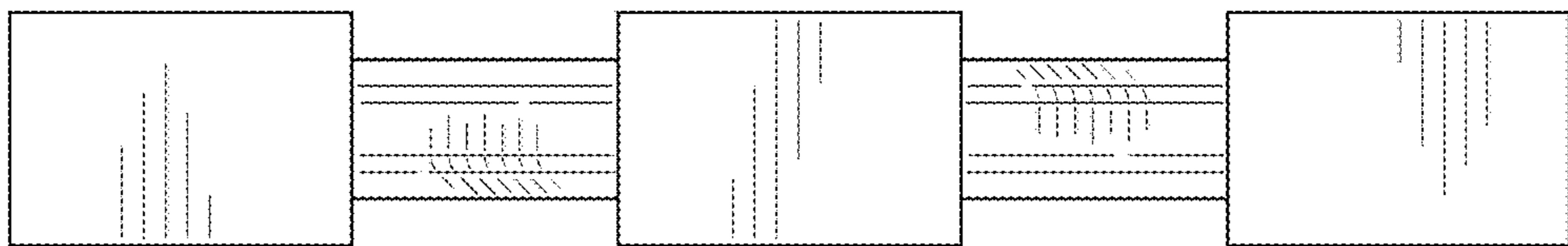


FIG. 8