



US00D852295S

(12) **United States Design Patent**
Slider et al.

(10) **Patent No.:** **US D852,295 S**
(45) **Date of Patent:** **** Jun. 25, 2019**

(54) **GATE**

D422,667 S * 4/2000 Lau D21/814
D615,130 S * 5/2010 Smith D21/303
D722,119 S * 2/2015 Nguyen D21/699
D772,421 S * 11/2016 Lin D21/815

(71) Applicant: **DRONE RACING LEAGUE, INC.**,
New York, NY (US)

(72) Inventors: **James Slider**, Brooklyn, NY (US);
Ashley Ellefson, Brooklyn, NY (US);
Nicholas Horbaczewski, New York,
NY (US); **Paul Ciesiun**, Mokena, IL
(US); **Adam Fabianski**, New Lenox, IL
(US)

OTHER PUBLICATIONS

“DRL Mardi Gras”, posted Feb. 9, 2017 [online], [retrieved Sep. 12, 2018]. Retrieved from internet, https://www.youtube.com/watch?v=_k1SC7XT8Vk.*

“London to host UK’s first professional drone race in June”, posted Feb. 10, 2017 [online], [retrieved Sep. 12, 2018]. Retrieved from internet, <https://www.youtube.com/watch?v=Wa3qYtwu3qk>.*

(73) Assignee: **Drone Racing League, Inc.**, New York,
NY (US)

* cited by examiner

(**) Term: **15 Years**

Primary Examiner — Barbara Fox

Assistant Examiner — Mehri F Bajoul

(21) Appl. No.: **29/610,367**

(74) *Attorney, Agent, or Firm* — Vierra Magen Marcus
LLP

(22) Filed: **Jul. 12, 2017**

(51) **LOC (11) Cl.** **21-02**

(52) **U.S. Cl.**
USPC **D21/706**

(57) **CLAIM**

The ornamental design for a gate, as shown and described.

(58) **Field of Classification Search**
USPC D21/699, 705, 706, 708, 712, 718, 722,
D21/788, 790, 811, 814, 818, 820, 824,
D21/835, 836; 52/655.1; 206/501;
273/369, 400; 446/126; 472/116–117,
472/136, 137; 473/422, 434, 435, 439;
482/35, 36
CPC A63G 31/12; A63B 9/00
See application file for complete search history.

DESCRIPTION

FIG. 1 is a front perspective view of a gate showing our design;

FIG. 2 is a rear perspective view of the gate;

FIG. 3 is a front view of the gate;

FIG. 4 is a rear view of the gate;

FIG. 5 is a first side view of the gate;

FIG. 6 is a second side view of the gate;

FIG. 7 is a top view of the gate; and,

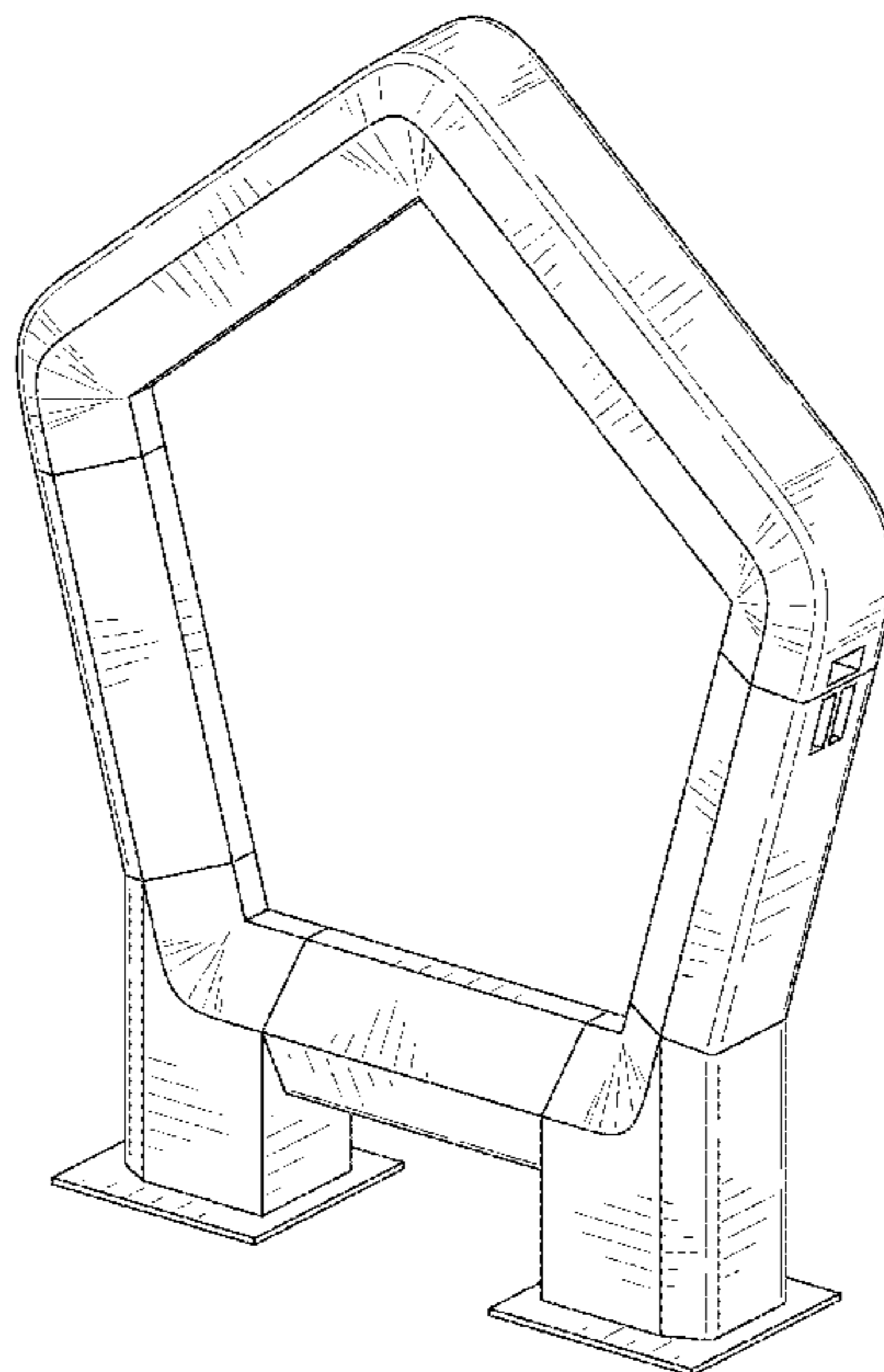
FIG. 8 is a bottom view of the gate.

(56) **References Cited**

U.S. PATENT DOCUMENTS

4,284,271 A * 8/1981 Pettit A63B 5/11
182/139
D312,100 S * 11/1990 Hicks D21/363

1 Claim, 6 Drawing Sheets



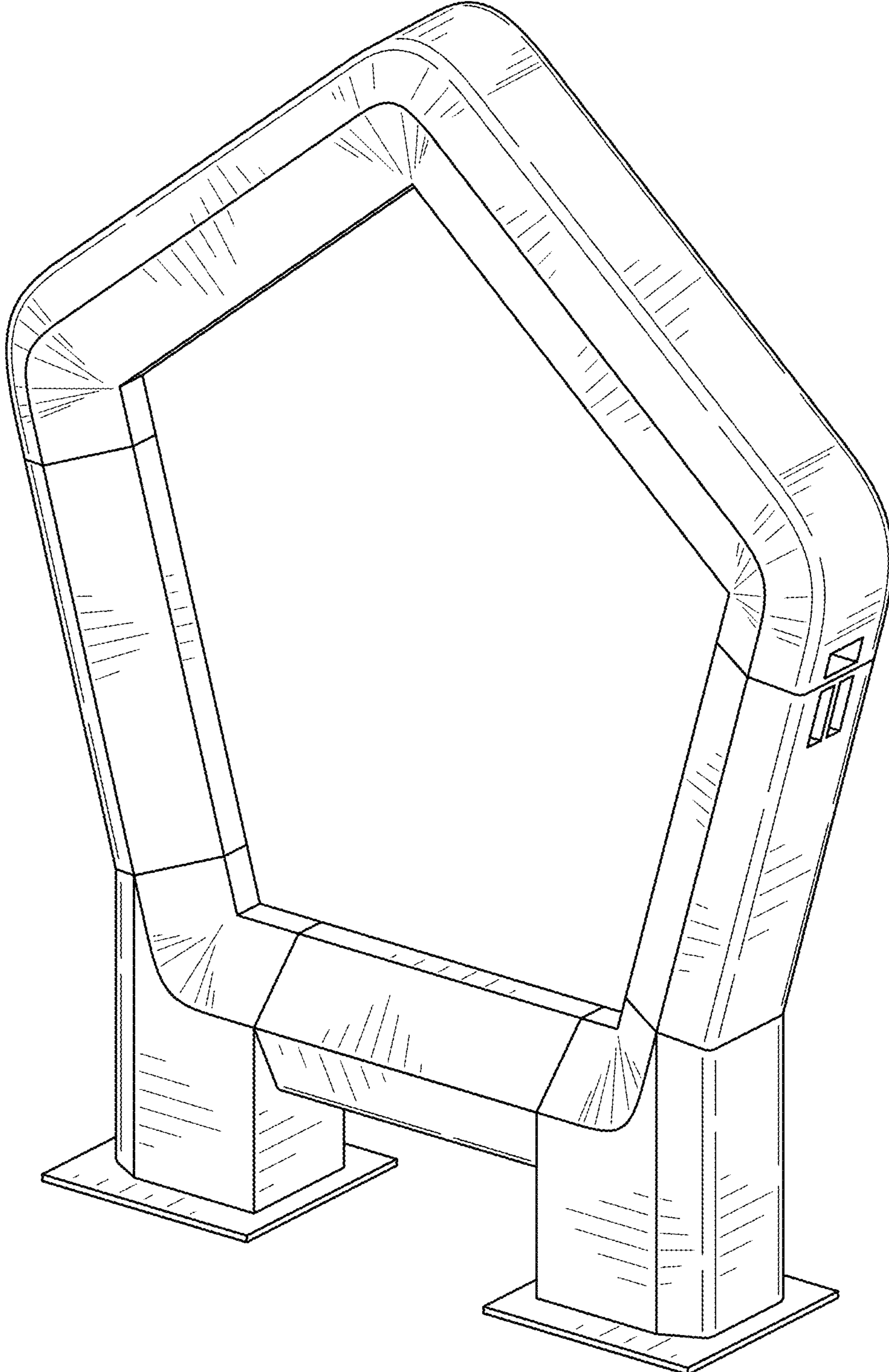


FIG. 1

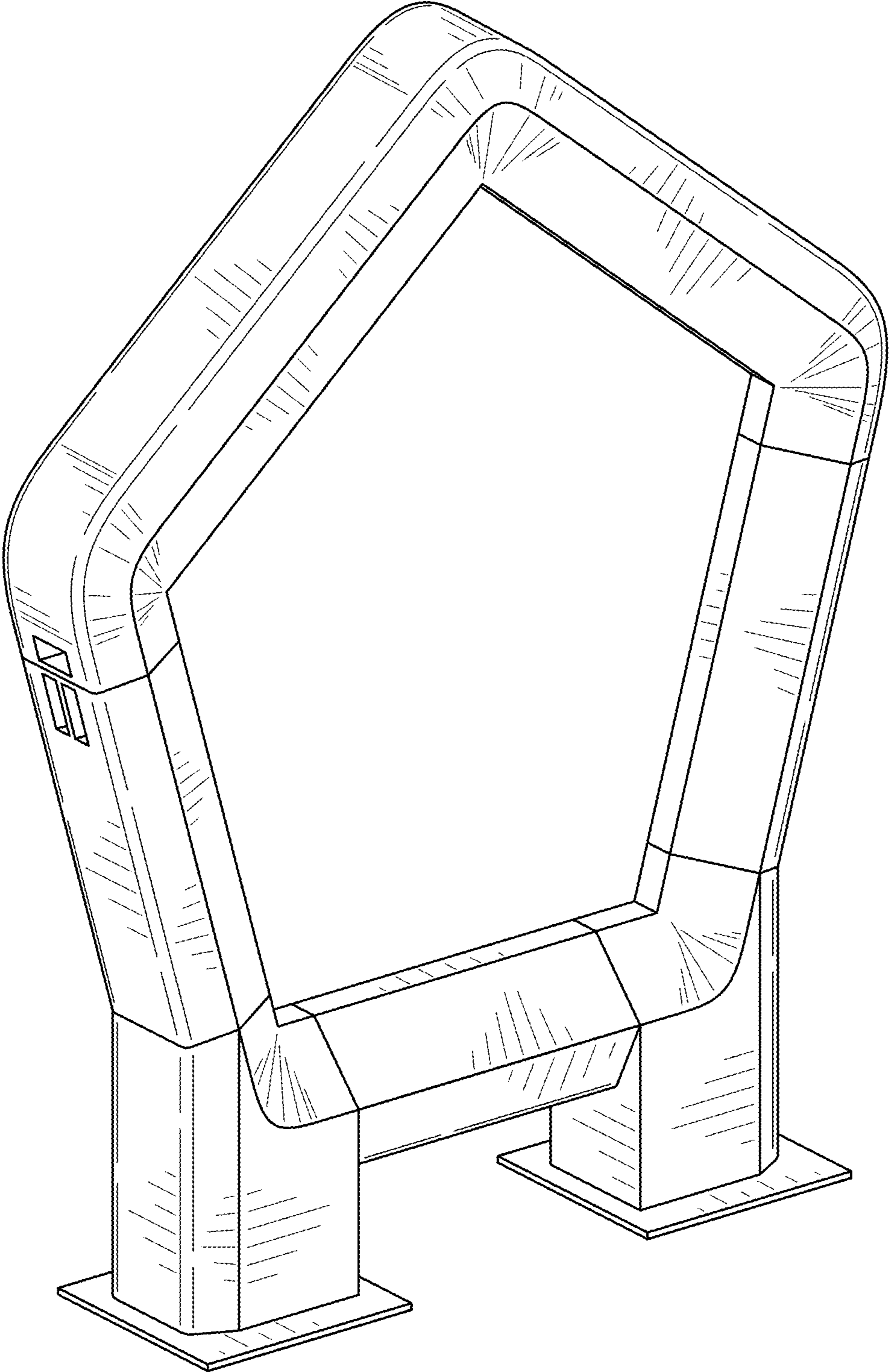


FIG. 2

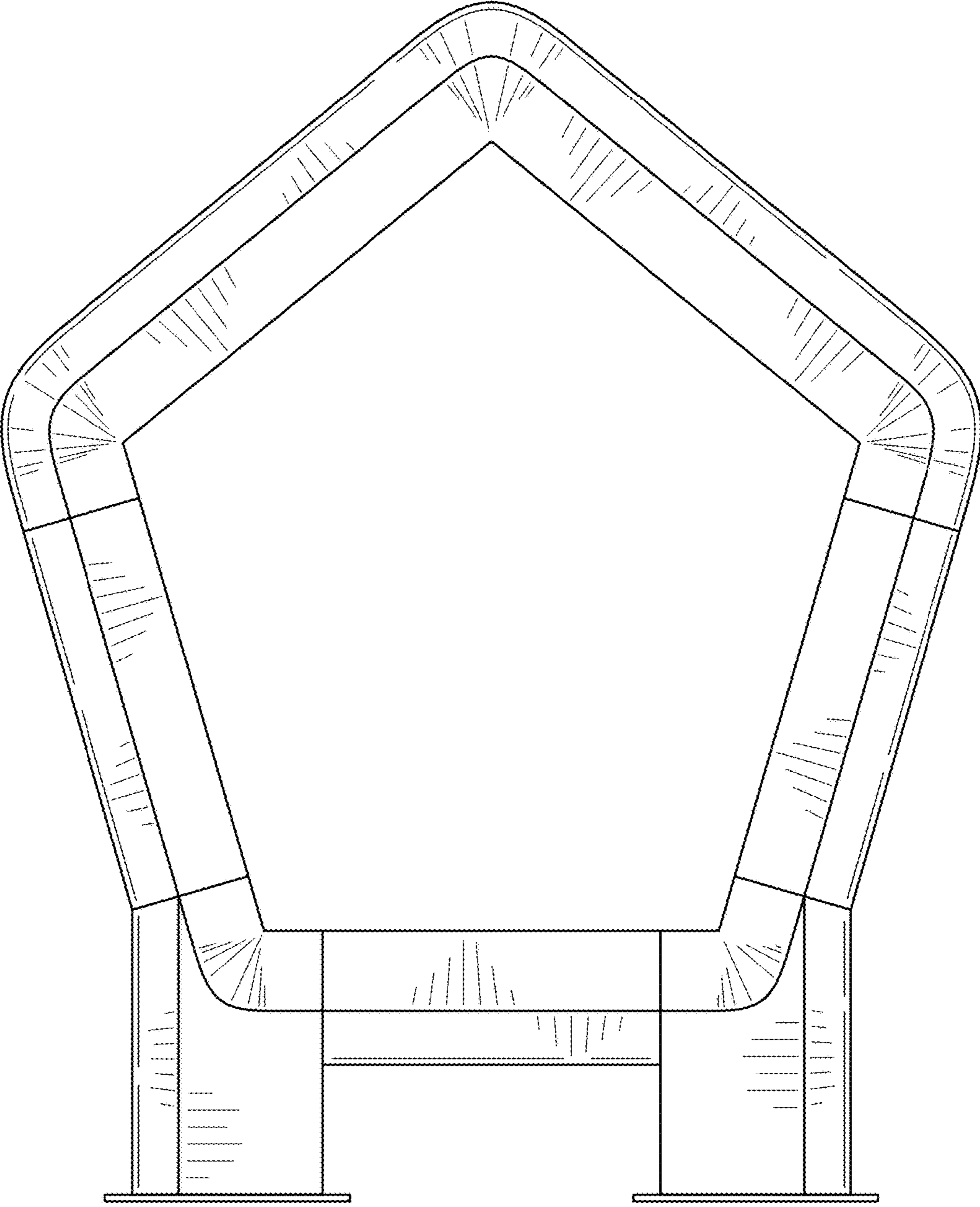


FIG. 3

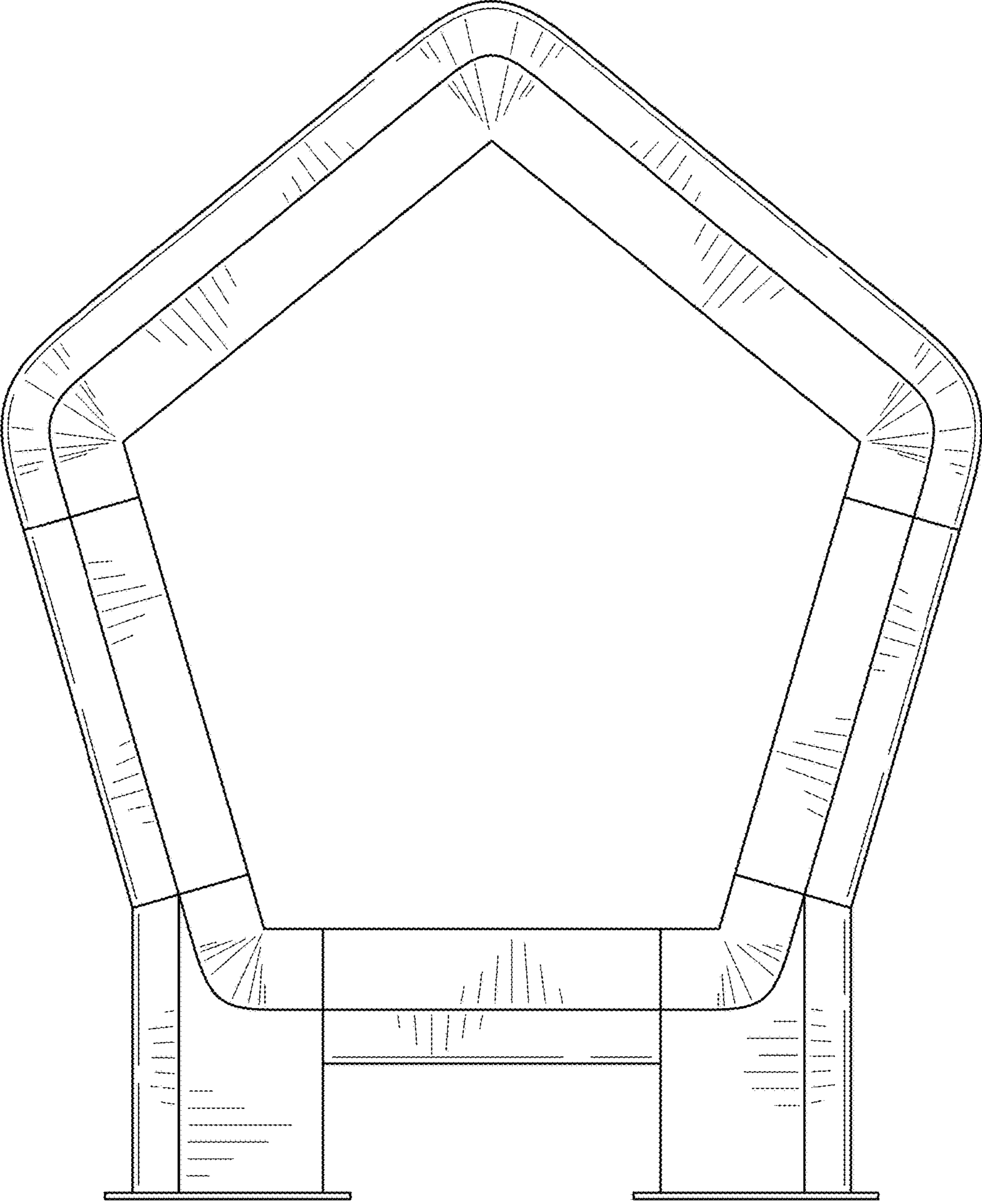


FIG. 4

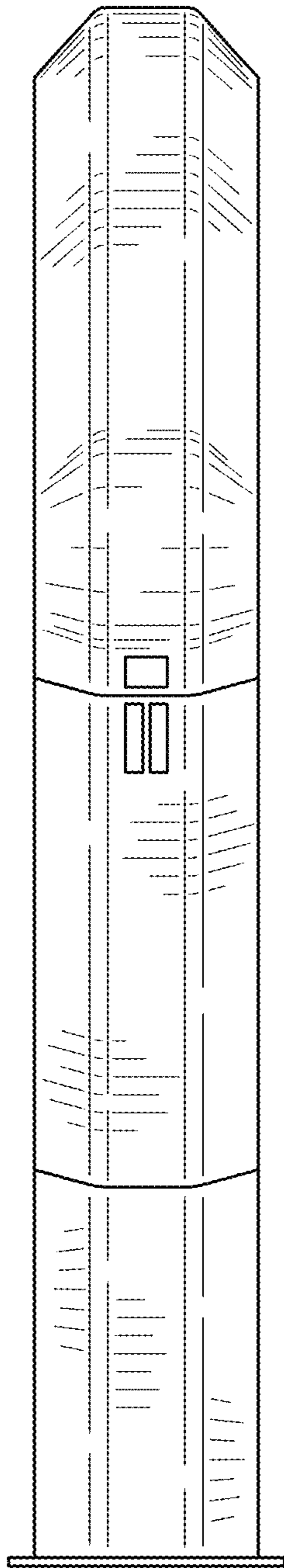


FIG. 5

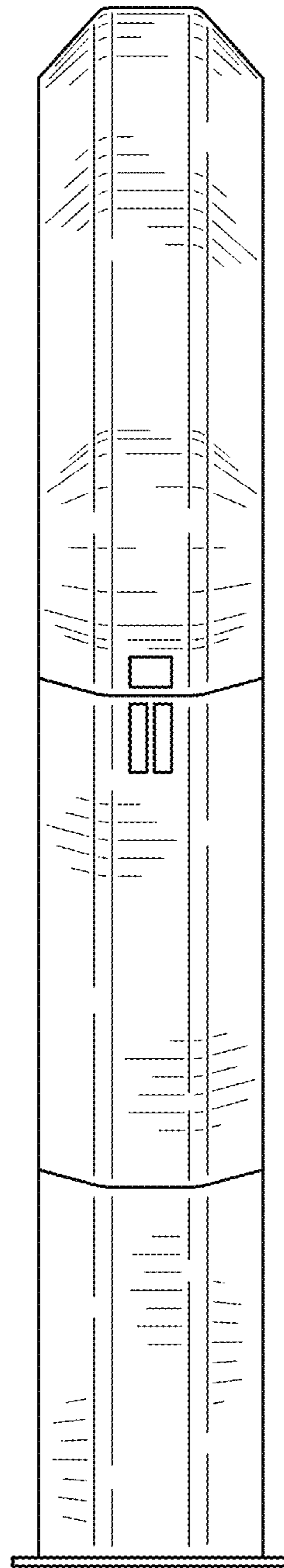


FIG. 6

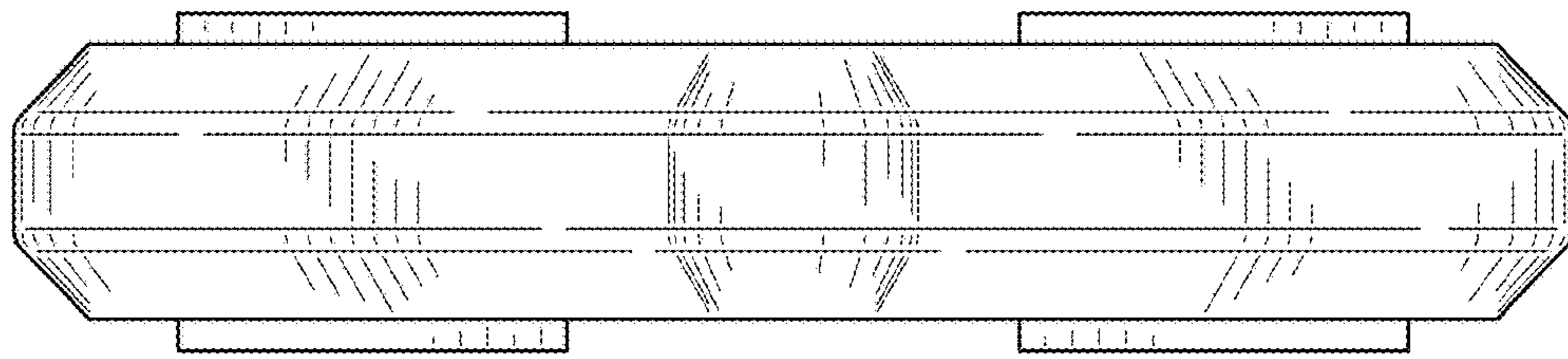


FIG. 7

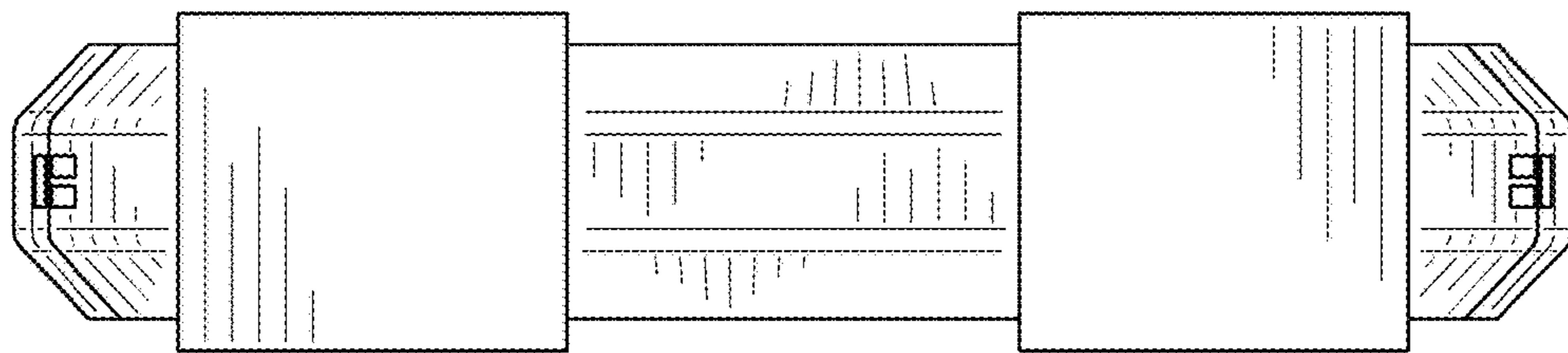


FIG. 8