



US00D852293S

(12) **United States Design Patent** (10) **Patent No.:** **US D852,293 S**
Slider et al. (45) **Date of Patent:** **** Jun. 25, 2019**

(54) **GATE**
(71) Applicant: **DRONE RACING LEAGUE, INC.**,
New York, NY (US)
(72) Inventors: **James Slider**, Brooklyn, NY (US);
Ashley Ellefson, Brooklyn, NY (US);
Nicholas Horbaczewski, New York,
NY (US); **Paul Ciesiun**, Mokena, IL
(US); **Adam Fabianski**, New Lenox, IL
(US)
(73) Assignee: **Drone Racing League, Inc.**, New York,
NY (US)
(**) Term: **15 Years**
(21) Appl. No.: **29/610,364**
(22) Filed: **Jul. 12, 2017**
(51) **LOC (11) Cl.** **21-02**
(52) **U.S. Cl.**
USPC **D21/706**
(58) **Field of Classification Search**
USPC D21/699, 705, 706, 708, 712, 718, 722,
D21/788, 790, 811, 814, 818, 820, 824,
D21/835, 836; 52/655.1; 206/501;
273/369, 400; 446/126; 472/116-117,
472/136, 137; 473/195, 422, 434, 435,
473/439; 482/35, 36
CPC A63G 31/12; A63B 9/00
See application file for complete search history.

D661,360 S * 6/2012 Campanaro D21/797
D680,609 S * 4/2013 Publicover D21/797
D737,406 S * 8/2015 Waggoner D23/233
D738,451 S * 9/2015 Olson D21/790
D747,245 S * 1/2016 Nosworthy D12/180
D763,520 S * 8/2016 Runyan D30/162
D780,870 S * 3/2017 Hamilton A63B 57/40
D21/791

OTHER PUBLICATIONS

“DLR Levell 3 Project Manhattan Teaser ”, posted Oct. 31, 2016
[online], [retrieved Sep. 12, 2018]. Retrieved from internet, <https://www.youtube.com/watch?v=arNPSIDiTIL>.
“London to host UK’s first professional drone race in June”, posted
Feb. 10, 2017 [online], [retrieved Sep. 12, 2018]. Retrieved from
internet, <http://>.
Slider, et al., “Circle Gate,” U.S. Appl. No. 29/610,365, filed Jul. 12,
2017.
Office Action dated Sep. 21, 2018, U.S. Appl. No. 29/610,365.

* cited by examiner

Primary Examiner — Barbara Fox
Assistant Examiner — Mehri F Bajoul
(74) *Attorney, Agent, or Firm* — Vierra Magen Marcus
LLP

(57) **CLAIM**

The ornamental design for a gate, as shown and described.

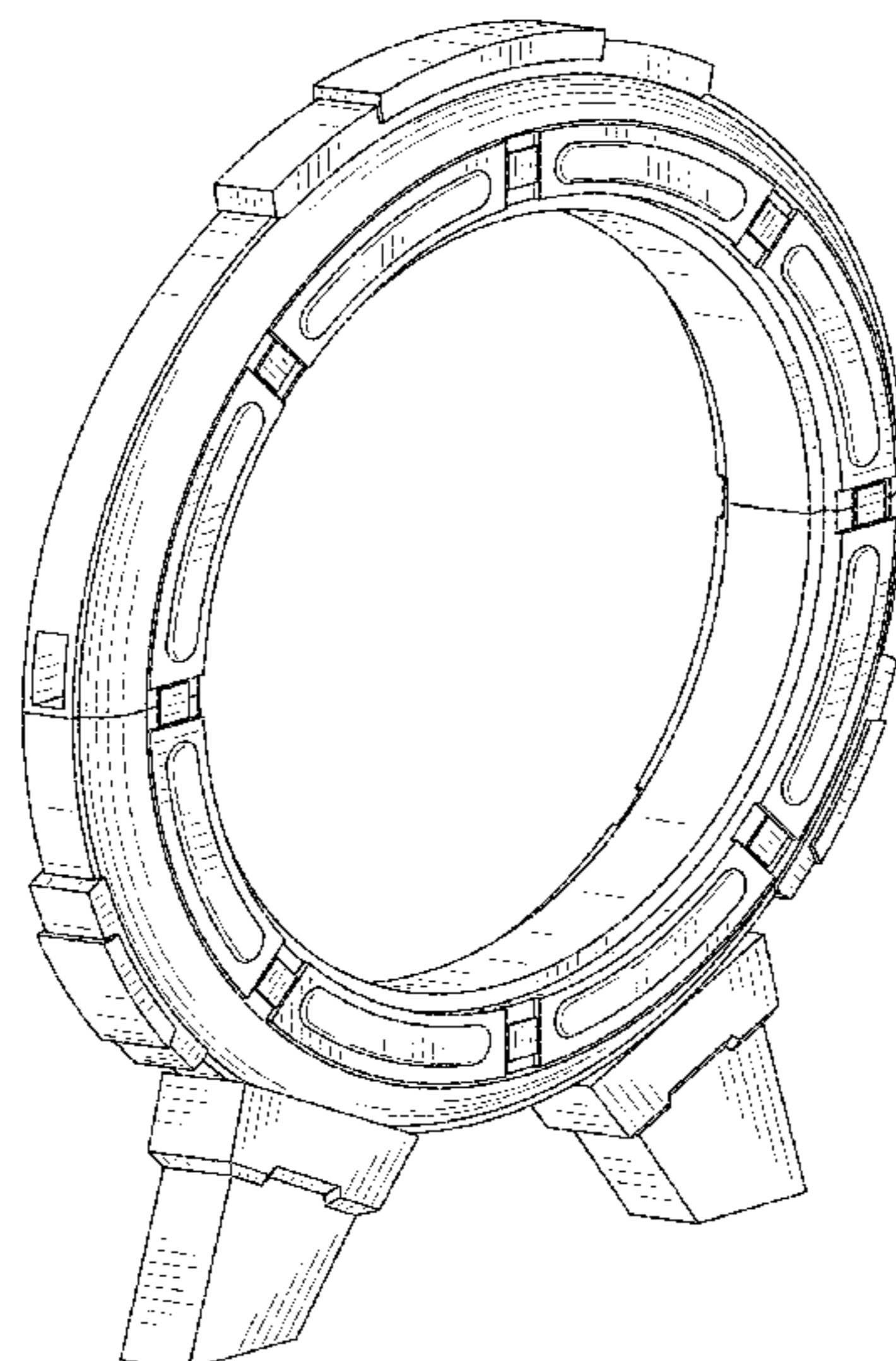
DESCRIPTION

FIG. 1 is a front perspective view of a gate showing our
design;
FIG. 2 is a rear perspective view of the gate;
FIG. 3 is a front view of the gate;
FIG. 4 is a rear view of the gate;
FIG. 5 is a first side view of the gate;
FIG. 6 is a second side view of the gate;
FIG. 7 is a top view of the gate; and,
FIG. 8 is a bottom view of the gate.

1 Claim, 6 Drawing Sheets

(56) **References Cited**
U.S. PATENT DOCUMENTS

D422,326 S * 4/2000 Lai D21/699
D423,621 S * 4/2000 Holtby D21/791
D595,177 S * 6/2009 Strauzer D11/79
D633,162 S * 2/2011 Campanaro D21/797
8,043,172 B2 * 10/2011 Campanaro A63B 65/06
273/395
D656,213 S * 3/2012 Kitchen D21/814



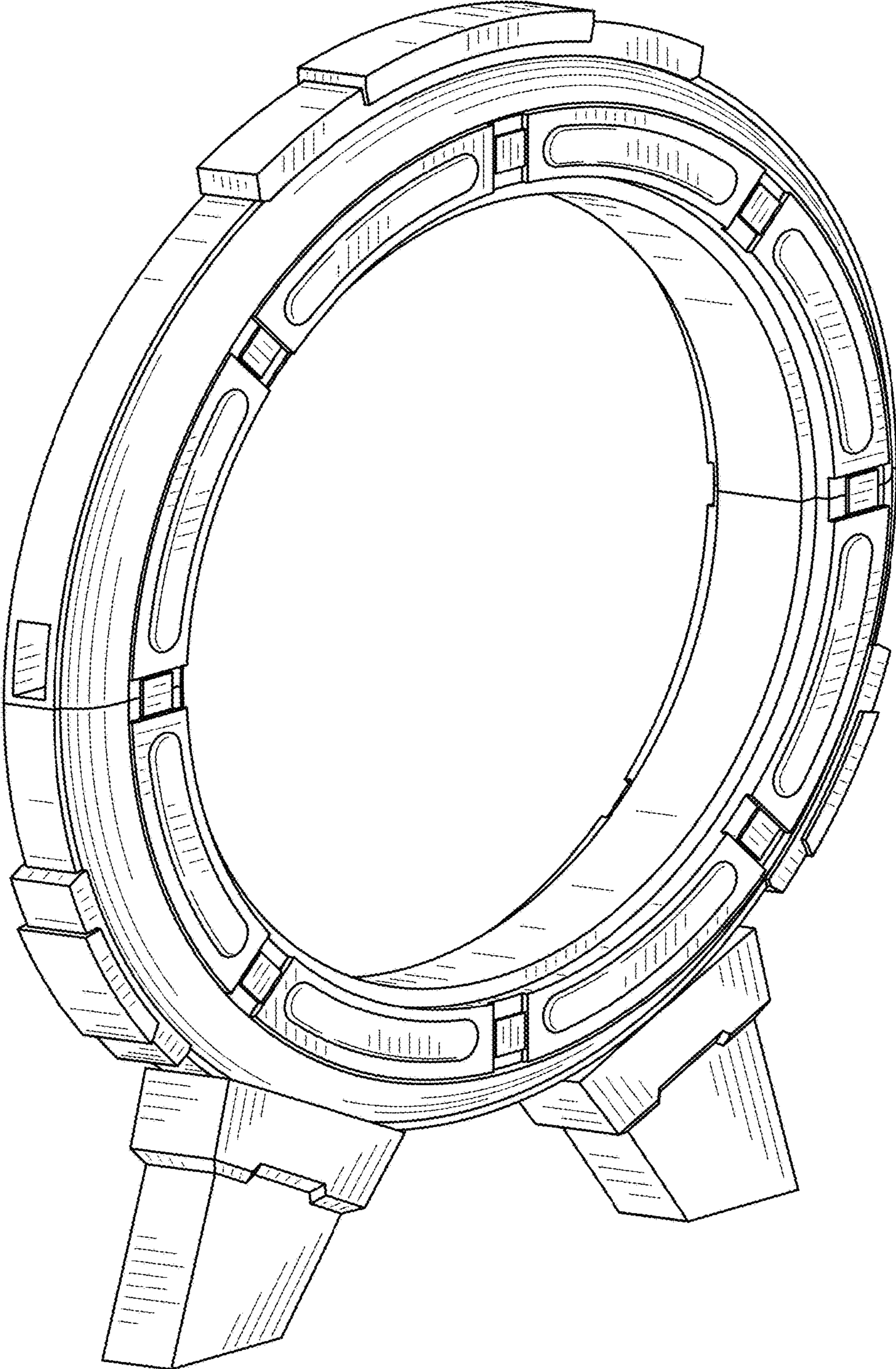


FIG. 1

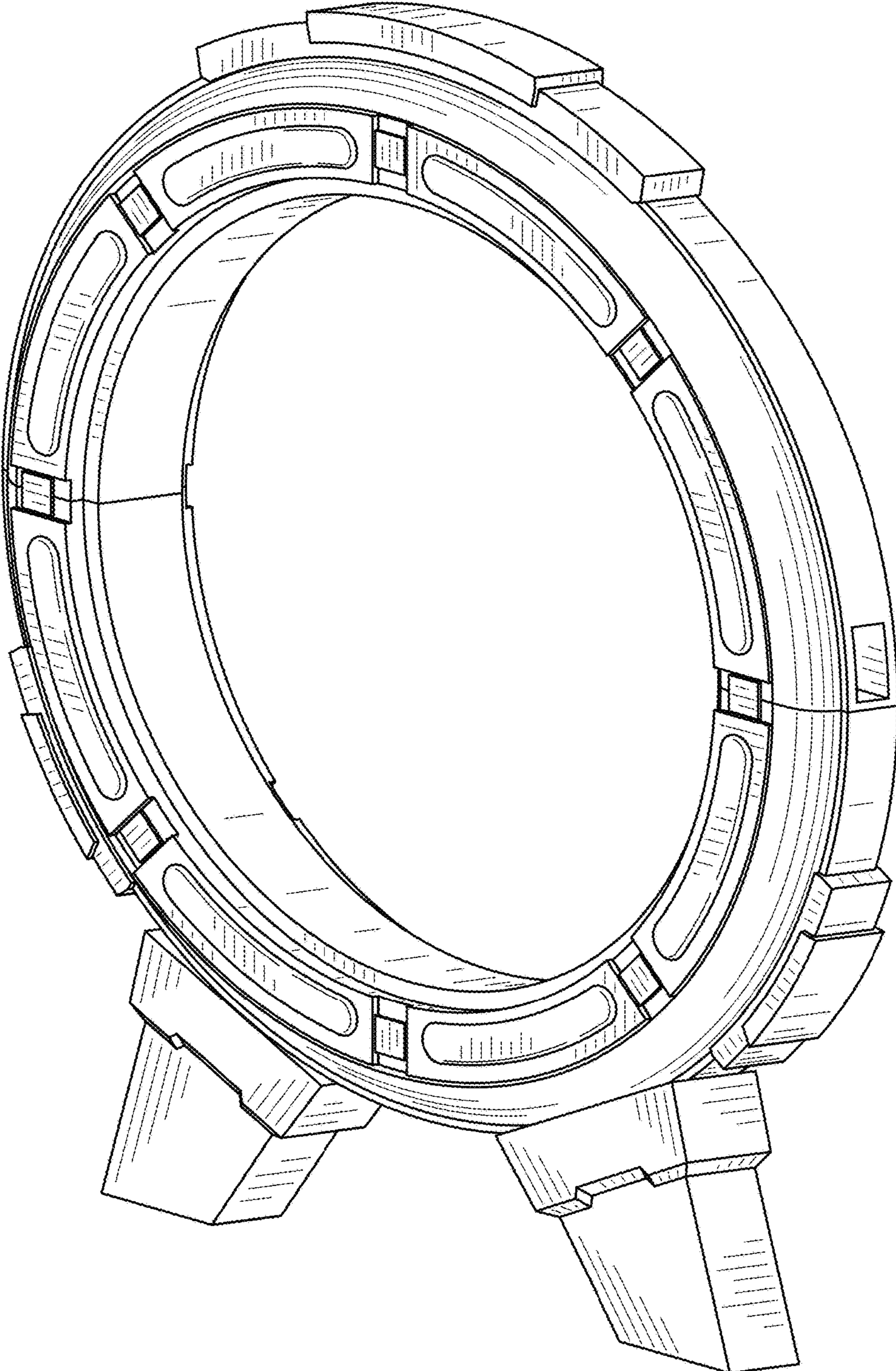


FIG. 2

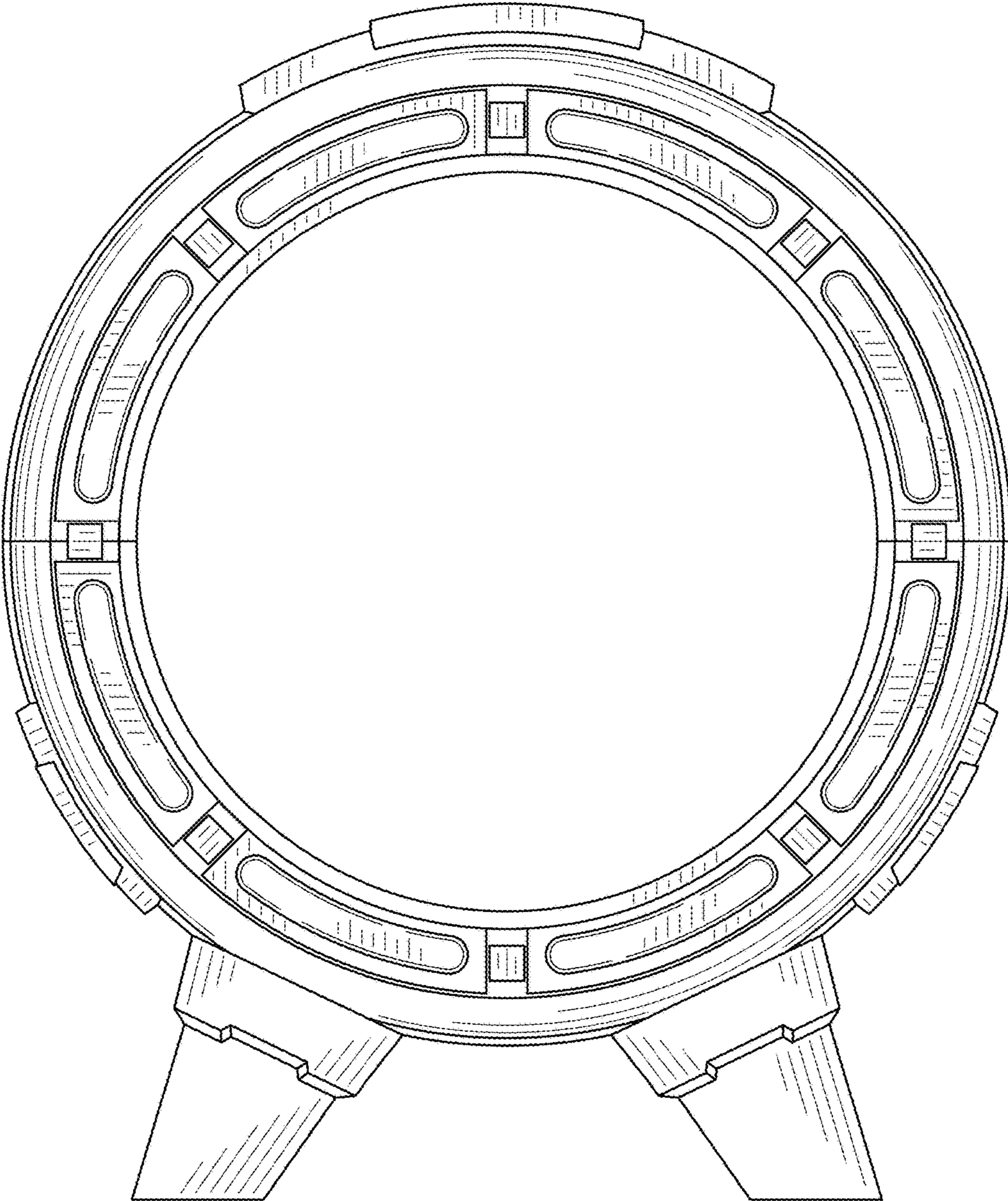


FIG. 3

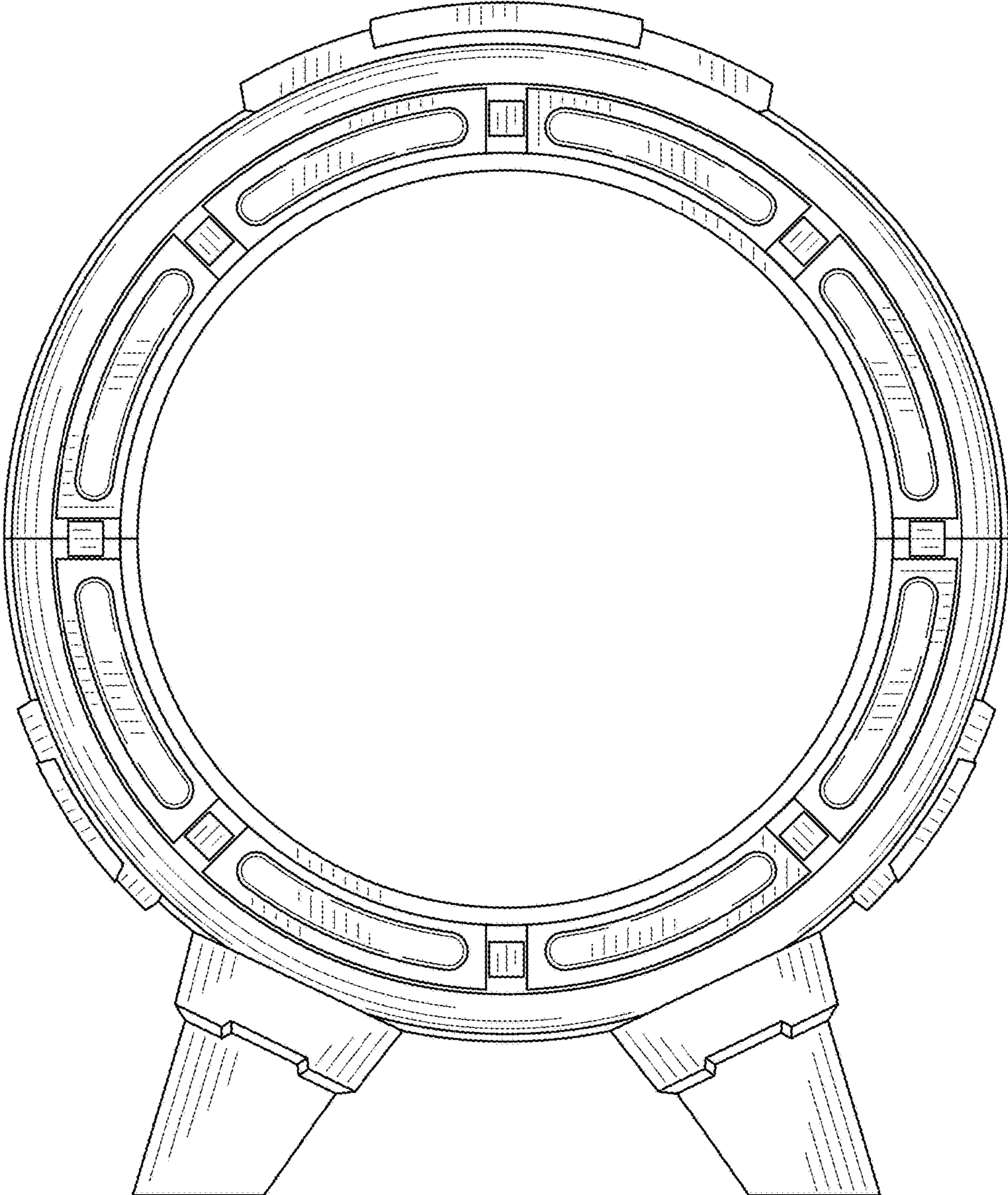


FIG. 4

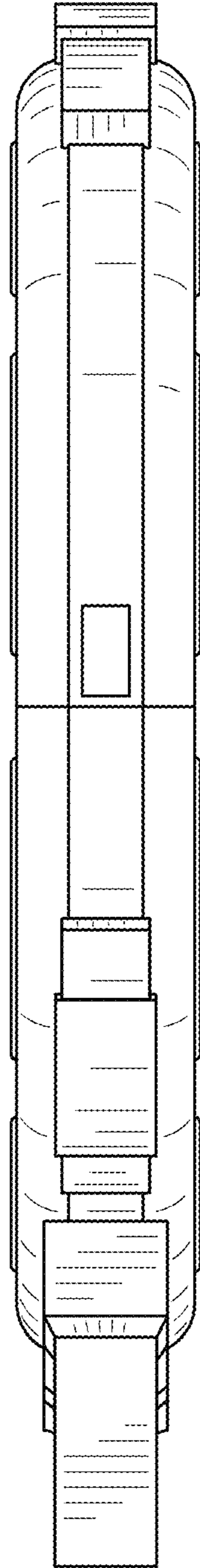


FIG. 5

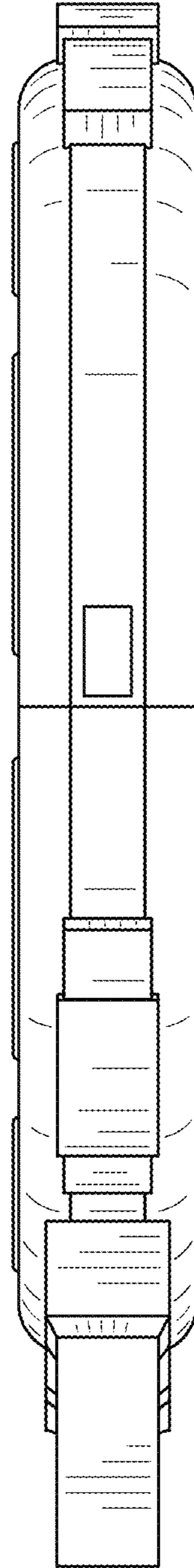


FIG. 6



FIG. 7

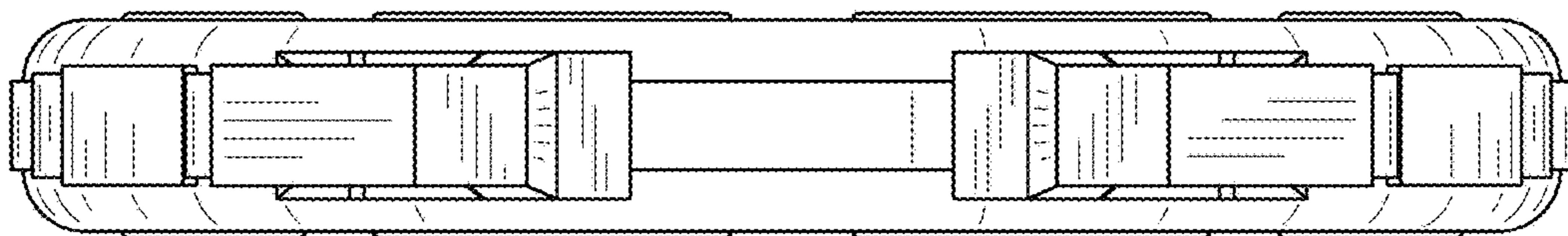


FIG. 8