



US00D852292S

(12) **United States Design Patent**
Cutler

(10) **Patent No.:** **US D852,292 S**
(45) **Date of Patent:** **** Jun. 25, 2019**

- (54) **CONSOLE**
- (71) Applicant: **ICON Health & Fitness, Inc.**, Logan, UT (US)
- (72) Inventor: **Gordon Cutler**, Providence, UT (US)
- (73) Assignee: **ICON Health & Fitness, Inc.**, Logan, UT (US)

- D736,866 S * 8/2015 Oblamski A63B 21/0053 D21/669
- 2002/0151413 A1* 10/2002 Dalebout A63B 22/02 482/54
- 2013/0231219 A1* 9/2013 Huang A63B 22/02 482/54
- 2014/0066263 A1* 3/2014 Huang A63B 71/0054 482/54
- 2014/0113770 A1* 4/2014 Yim A63B 24/0062 482/8

(**) Term: **15 Years**

(Continued)

(21) Appl. No.: **29/568,646**

OTHER PUBLICATIONS

(22) Filed: **Jun. 20, 2016**

Available Jul. 20, 2018, [online], [site visited Jul. 20, 2018]. Available from Internet, <URL:https://www.frys.com/product/9157428> (Year: 2018).*

(51) **LOC (11) Cl.** **21-02**

(Continued)

(52) **U.S. Cl.**
USPC **D21/696**; D21/669

(58) **Field of Classification Search**
USPC D21/662, 668, 669, 670, 671, 694, 696; D14/371, 372, 373, 374, 375, 376, 377, D14/378, 379; D16/202, 203
CPC A63B 24/0062; A63B 24/0087; A63B 24/0075; A63B 22/0605; A63B 2024/0065; A63B 21/225; A63B 21/4034; A63B 21/4035; A63B 2220/12; A63B 22/02; A63B 22/0664; A63B 71/0622; A63B 2024/0068; A63B 2024/0093
See application file for complete search history.

Primary Examiner — Cathron C Brooks
Assistant Examiner — Katrina N Gonzalez
(74) *Attorney, Agent, or Firm* — Ray Quinney & Nebeker

(57) **CLAIM**

The ornamental design for a console, as shown and described.

DESCRIPTION

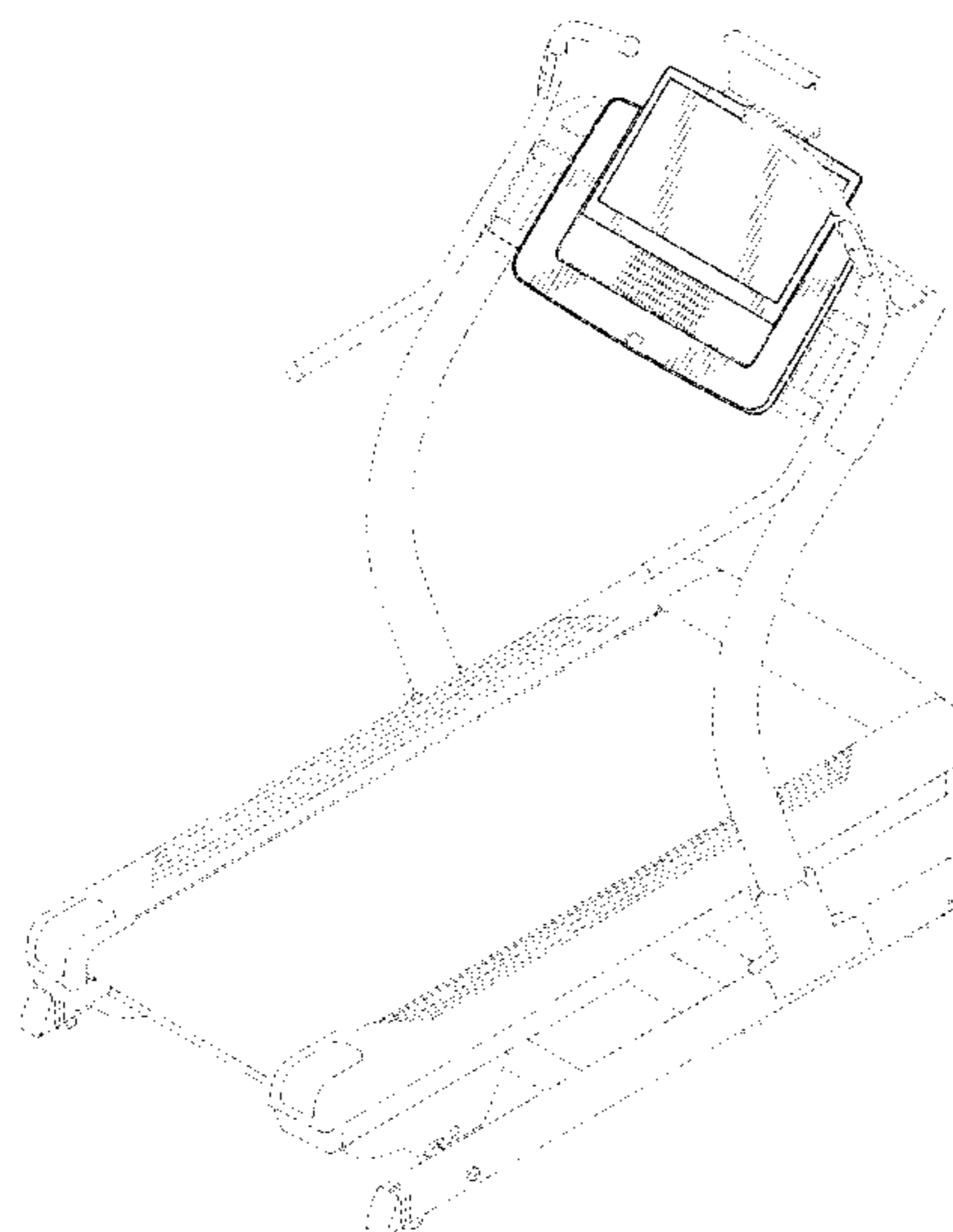
FIG. 1 is a perspective view of a console of the present invention as used on a treadmill;
FIG. 2 is a front end view of the console of FIG. 1;
FIG. 3 is a rear end view of the console of FIG. 1;
FIG. 4 is a right side view of the console of FIG. 1;
FIG. 5 is a left side view of the console of FIG. 1;
FIG. 6 is a top view of the console of FIG. 1; and,
FIG. 7 is a bottom plan view thereof.
The broken lines shown in the drawings illustrate portions of the console and the environment of the console, and form no part of the claimed design.

(56) **References Cited**

U.S. PATENT DOCUMENTS

- D407,771 S * 4/1999 Garza D21/694
- 5,899,834 A * 5/1999 Dalebout A63B 22/02 482/54
- D416,596 S * 11/1999 Armstrong D21/694
- D429,509 S * 8/2000 Garza D21/694
- D521,577 S * 5/2006 Wu D21/669
- D531,683 S * 11/2006 Choi D21/696
- D579,992 S * 11/2008 Cesaroni D21/694
- D624,975 S * 10/2010 Flick D21/669
- D690,782 S * 10/2013 Perkins D21/669

1 Claim, 6 Drawing Sheets



(56)

References Cited

U.S. PATENT DOCUMENTS

2014/0274579 A1* 9/2014 Olson A63B 22/0235
482/54
2015/0174444 A1* 6/2015 Murray A61B 5/112
482/54
2015/0367169 A1* 12/2015 Ashby G10K 11/178
482/4
2016/0206922 A1* 7/2016 Dalebout A63B 24/0087

OTHER PUBLICATIONS

Available Jul. 20, 2018, [online], [site visited Jul. 20, 2018]. Available from Internet, <URL:<https://www.samsclub.com/sams/proform-9000-mode-treadmill/prod22271290.ip>> (Year: 2018).*

Available Jun. 6, 2017, [online], [site visited Jul. 20, 2018]. Available from Internet, <URL:<https://web.archive.org/web/20170606201436/https://www.nordictrack.com/treadmills/x22i-incline-trainer>> (Year: 2017).*

(Via YouTube), available Jan. 10, 2017, [online], [site visited Jul. 20, 2018]. Video available from internet, <URL:https://www.youtube.com/watch?time_continue=2&v=LrylXhVmEyl> (Year: 2017).*

Available May 3, 2018, [online], [site visited Jul. 20, 2018]. Available from Internet, <URL:<https://www.wired.com/review/review-nordictrack-x22i/>> (Year: 2018).*

(Via YouTube), available Dec. 23, 2016, [online], [site visited Jul. 20, 2018]. Video available from internet, <URL:https://www.youtube.com/watch?v=ufeu_aqkNmQ> (Year: 2016).*

(Via YouTube), available Dec. 9, 2016, [online], [site visited Jul. 20, 2018]. Available from Internet, <URL:https://www.youtube.com/watch?v=KW_7qKMKBh4> (Year: 2016).*

* cited by examiner

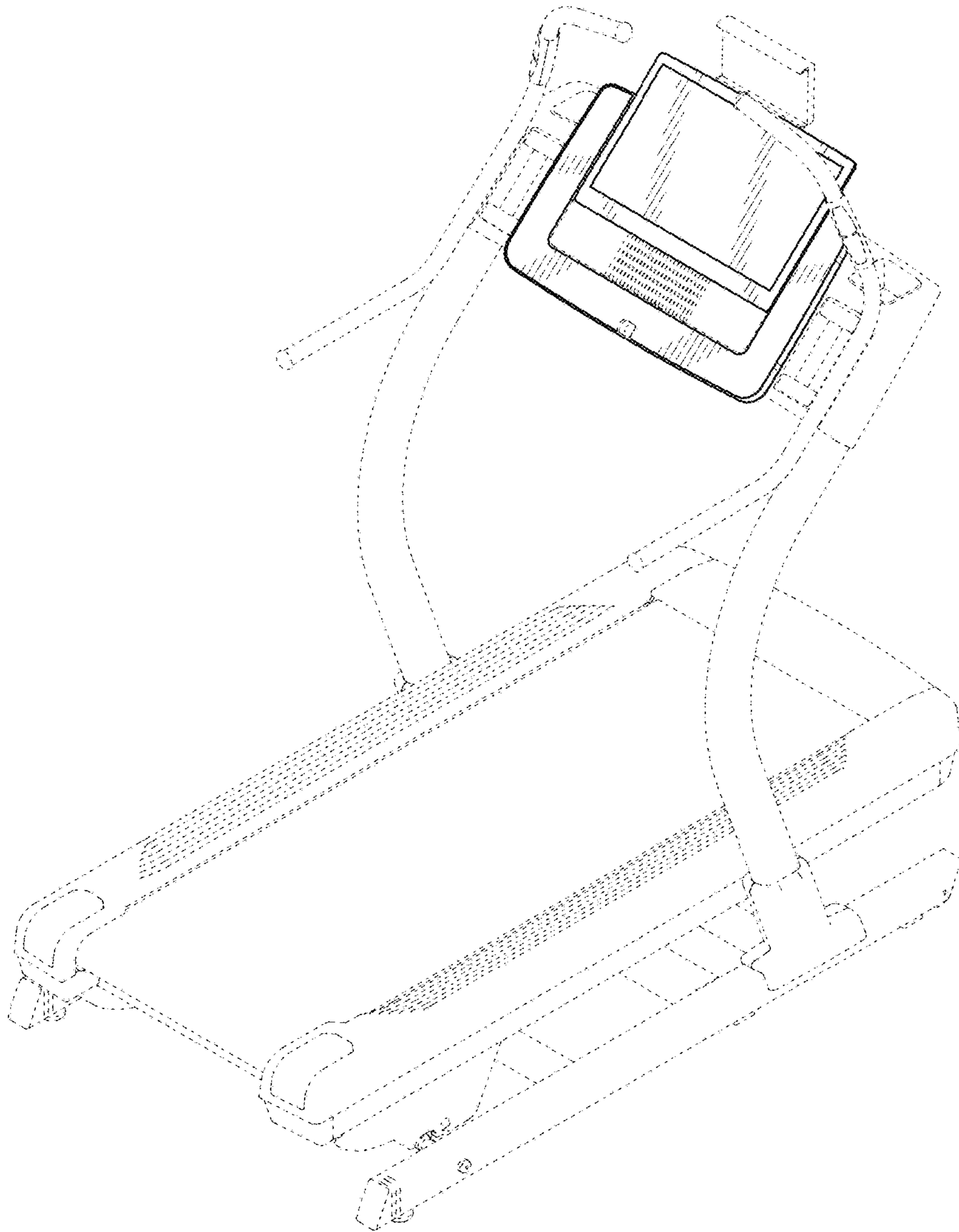


FIG. 1

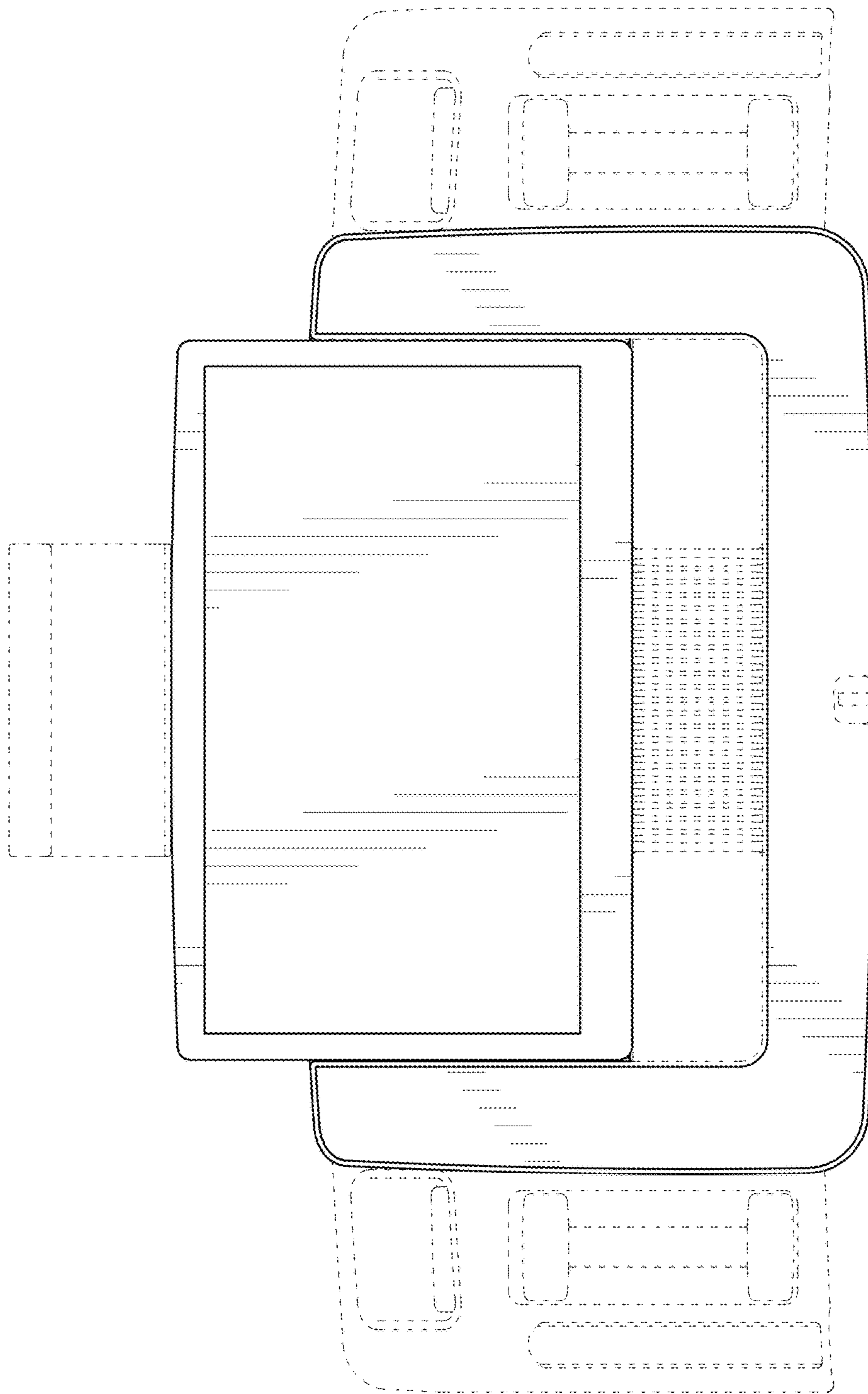


FIG. 2

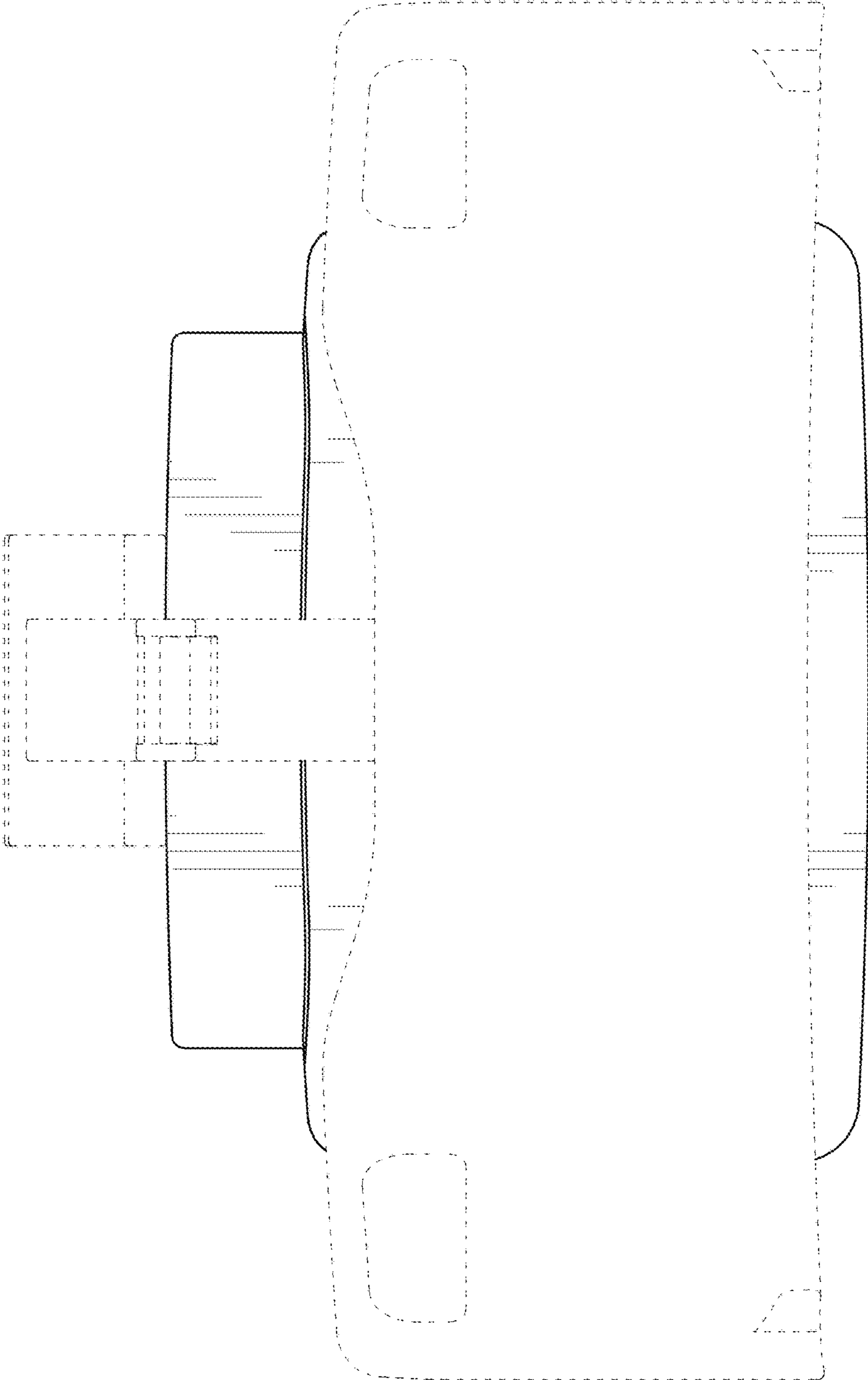


FIG. 3

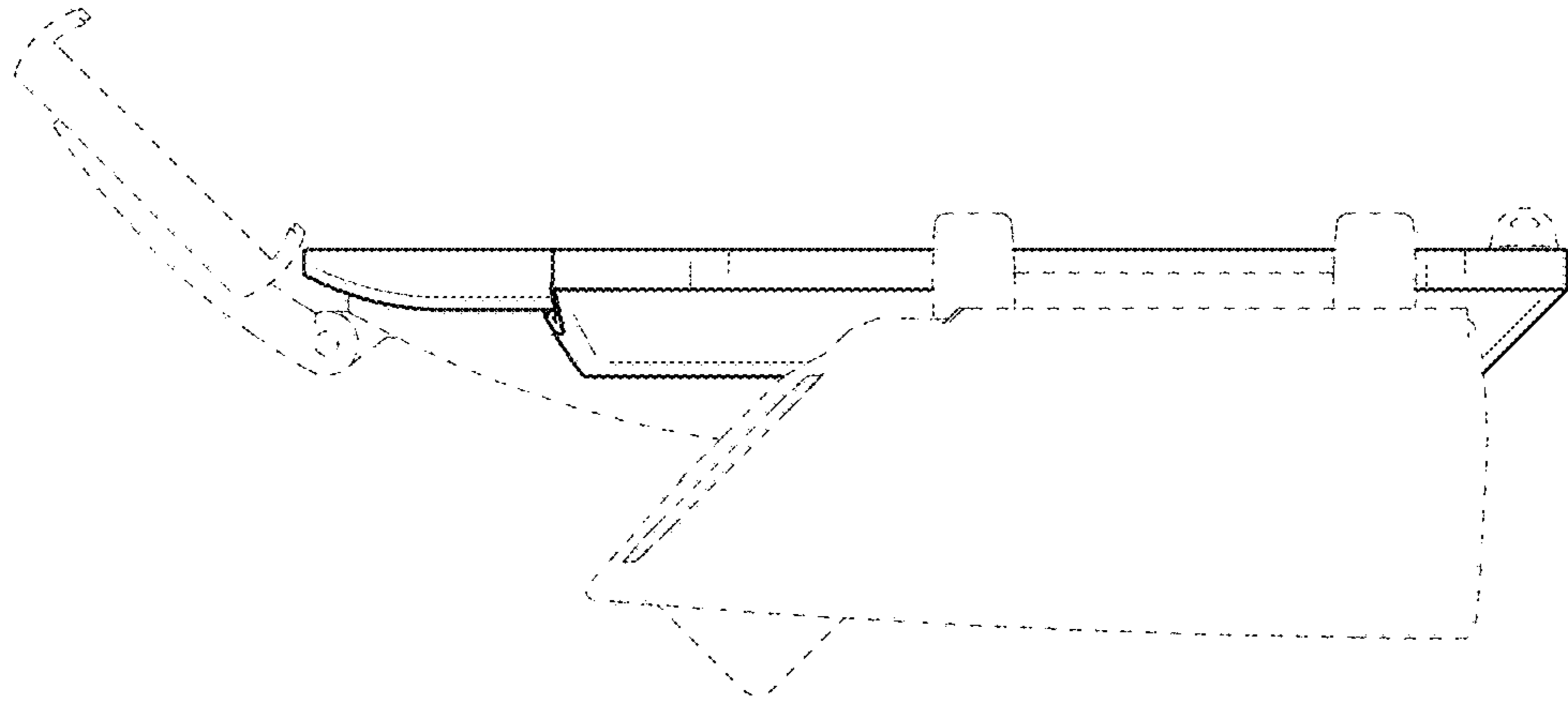


FIG. 5

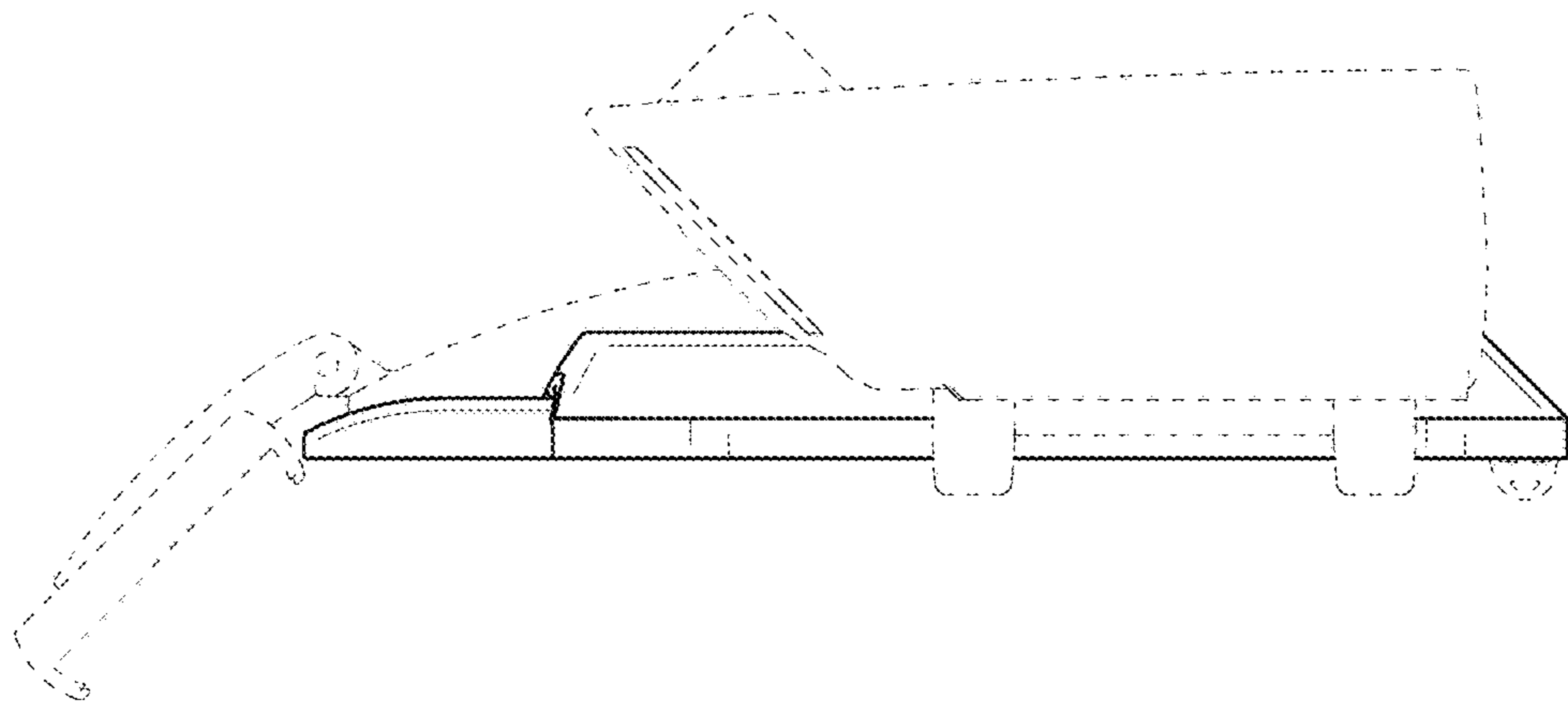


FIG. 4

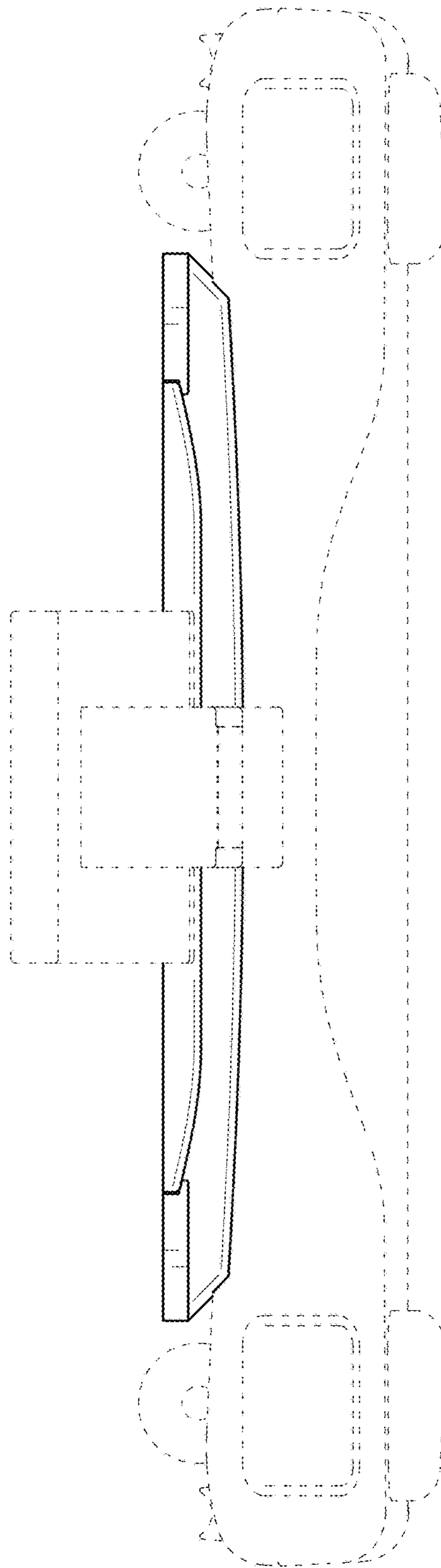


FIG. 6

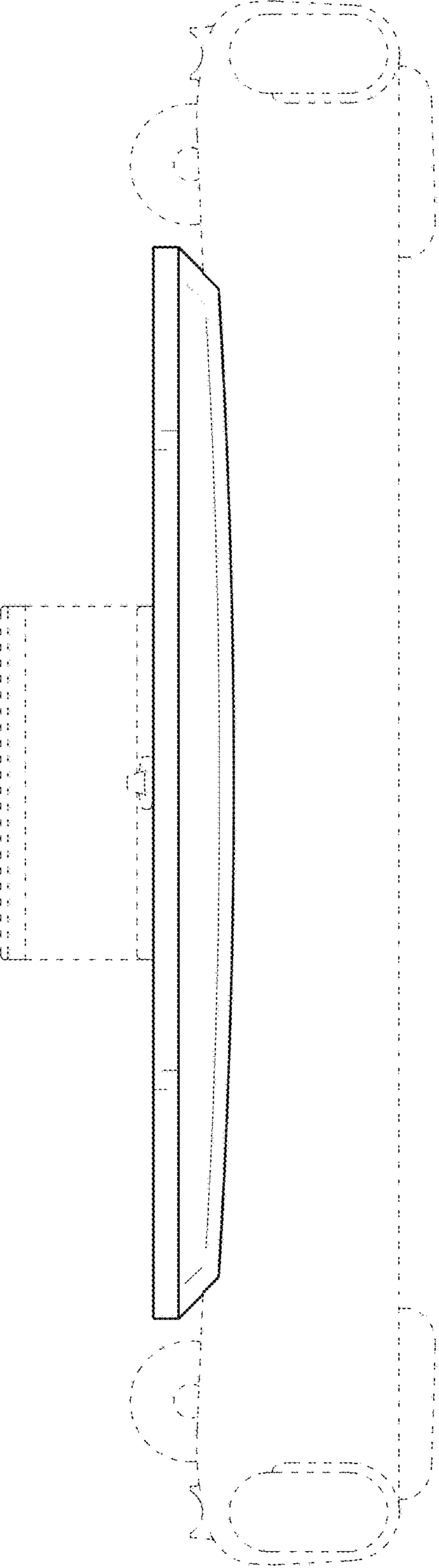


FIG. 7