



US00D852290S

(12) **United States Design Patent**
Noback et al.

(10) **Patent No.:** **US D852,290 S**
(45) **Date of Patent:** **** Jun. 25, 2019**

(54) **TORSO TRAINER**

(56) **References Cited**

(71) Applicant: **ALLTrand, Inc.**, Alpharetta, GA (US)

U.S. PATENT DOCUMENTS

(72) Inventors: **Carl Noback**, Alpharetta, GA (US);
Don Gasgarth, Alpharetta, GA (US);
Karl Poehls, Alpharetta, GA (US);
Jeffrey Zwitter, Alpharetta, GA (US)

D297,958 S * 10/1988 Dyer D21/676
D297,959 S * 10/1988 Dyer D21/676
D297,960 S * 10/1988 Dyer D21/676
9,486,661 B2 * 11/2016 Thomson A63B 21/4047
D837,909 S * 1/2019 Noback D21/686
2018/0345066 A1 * 12/2018 Bertrand A63B 21/4049

(**) Term: **15 Years**

* cited by examiner

(21) Appl. No.: **29/619,449**

Primary Examiner — Philip S Hyder

(22) Filed: **Sep. 29, 2017**

Assistant Examiner — Ryan Harvey

(51) **LOC (11) Cl.** **21-02**

(74) *Attorney, Agent, or Firm* — Clayton, McKay & Bailey, PC

(52) **U.S. Cl.**
USPC **D21/686**

(57) **CLAIM**

(58) **Field of Classification Search**

The ornamental design for a torso trainer, as shown and described.

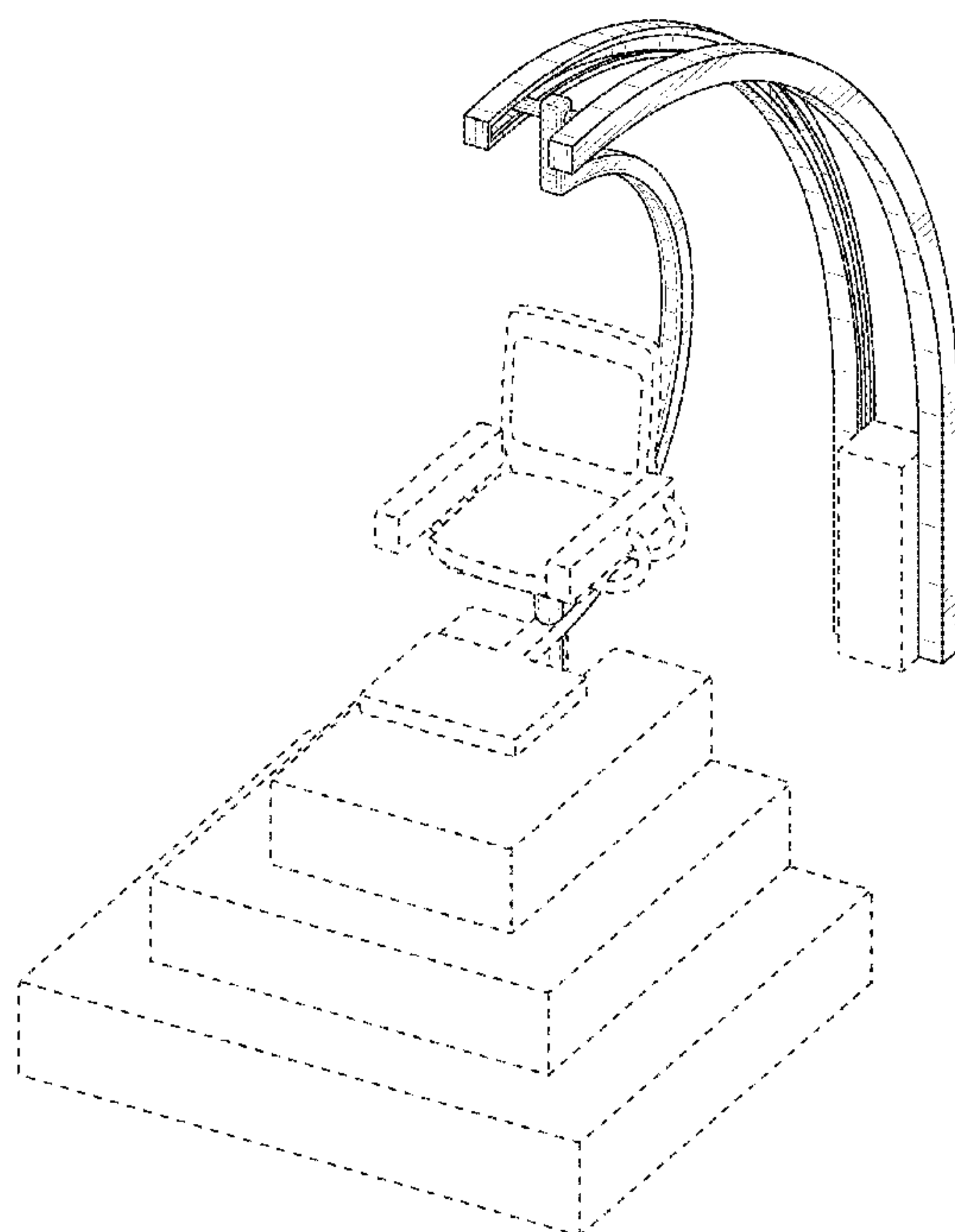
USPC D6/656.1, 552, 549, 548; D21/827, 826,
D21/797, 694, 691, 690, 686, 679, 673,
D21/665, 662; 482/96, 95, 94, 93, 92,
482/87, 8, 77, 41, 40, 38, 36, 35, 2, 148,
482/147, 144, 142, 141, 140, 135, 133,
482/132, 130, 128, 104, 101; 472/136,
472/118
CPC A63B 21/4035; A63B 21/0552; A63B
23/0211; A63B 2210/50; A63B 21/4047;
A63B 23/12; A63B 21/068; A63B
21/154; A63B 2208/0204; A63B 23/1236;
A63B 21/00047; A63B 23/1218; A63B
23/1227; A63B 1/00

DESCRIPTION

FIG. 1 is a perspective view of a torso trainer showing applicant's new design.
FIG. 2 is a front view of the torso trainer.
FIG. 3 is a rear view of the torso trainer.
FIG. 4 is a left-side view of the torso trainer.
FIG. 5 is a right-side view of the torso trainer.
FIG. 6 is a top view of the torso trainer; and,
FIG. 7 is a bottom view of the torso trainer.
The broken lines depict portions of the torso trainer and form no part of the claimed design.

See application file for complete search history.

1 Claim, 7 Drawing Sheets



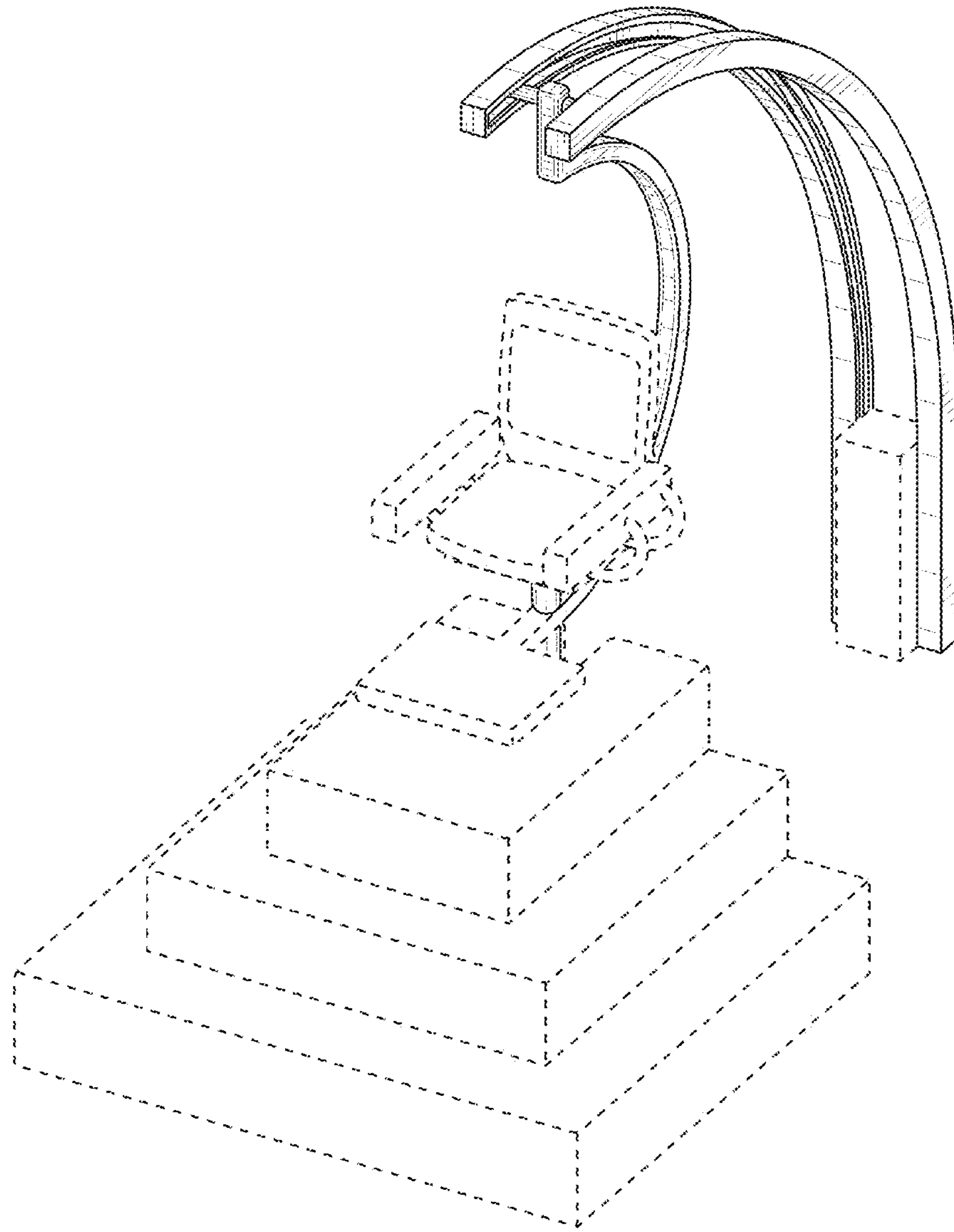


FIG. 1

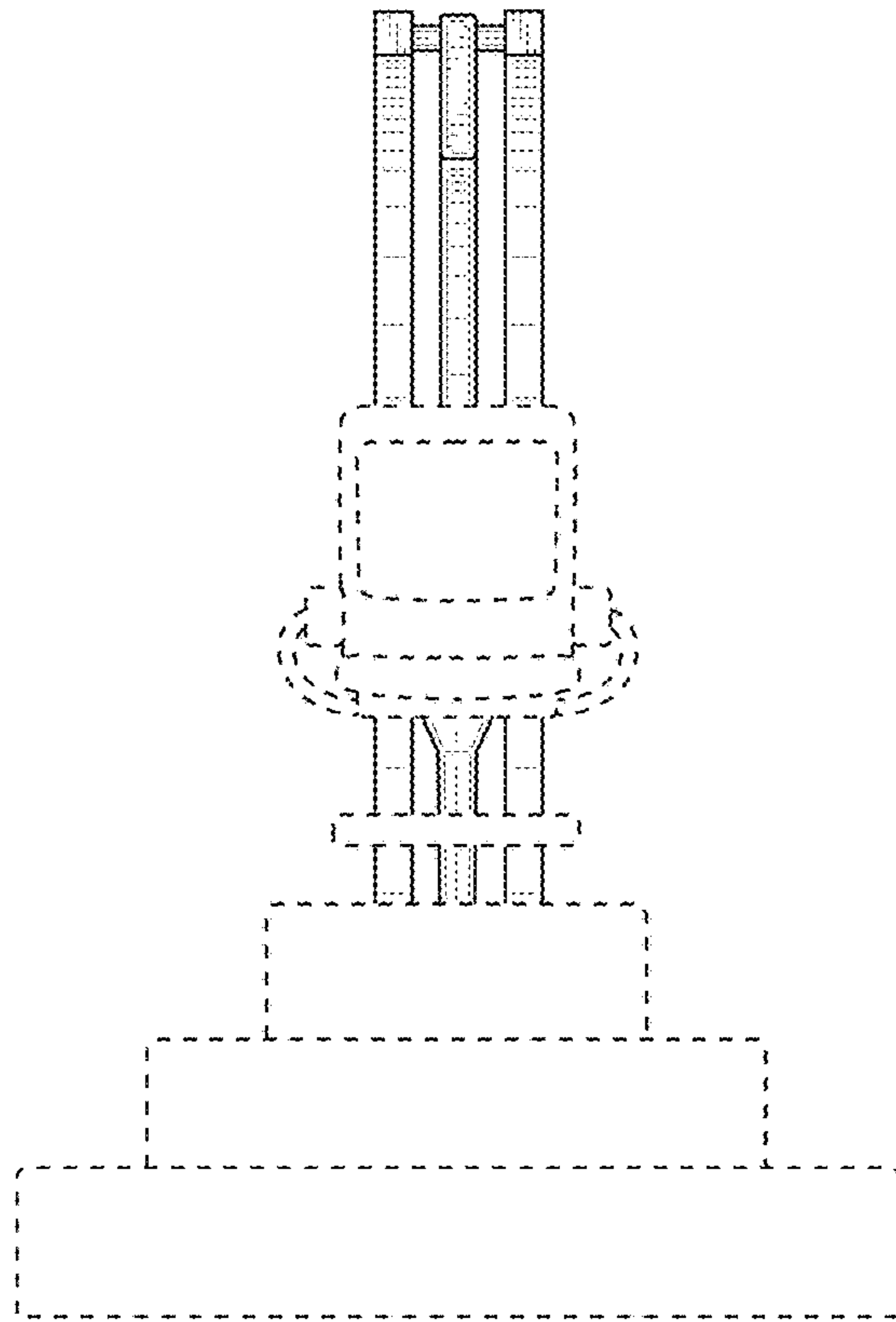


FIG. 2

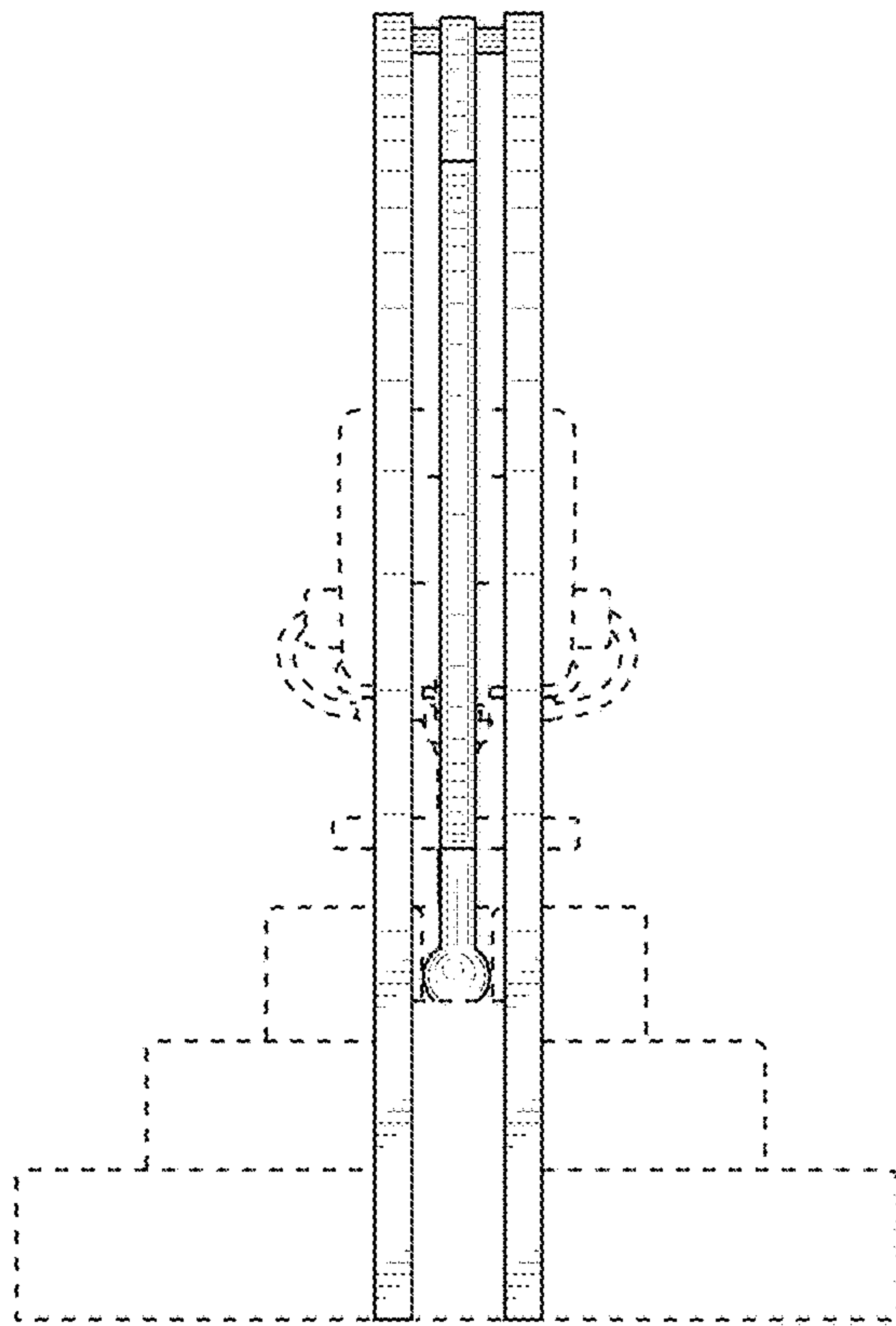


FIG. 3

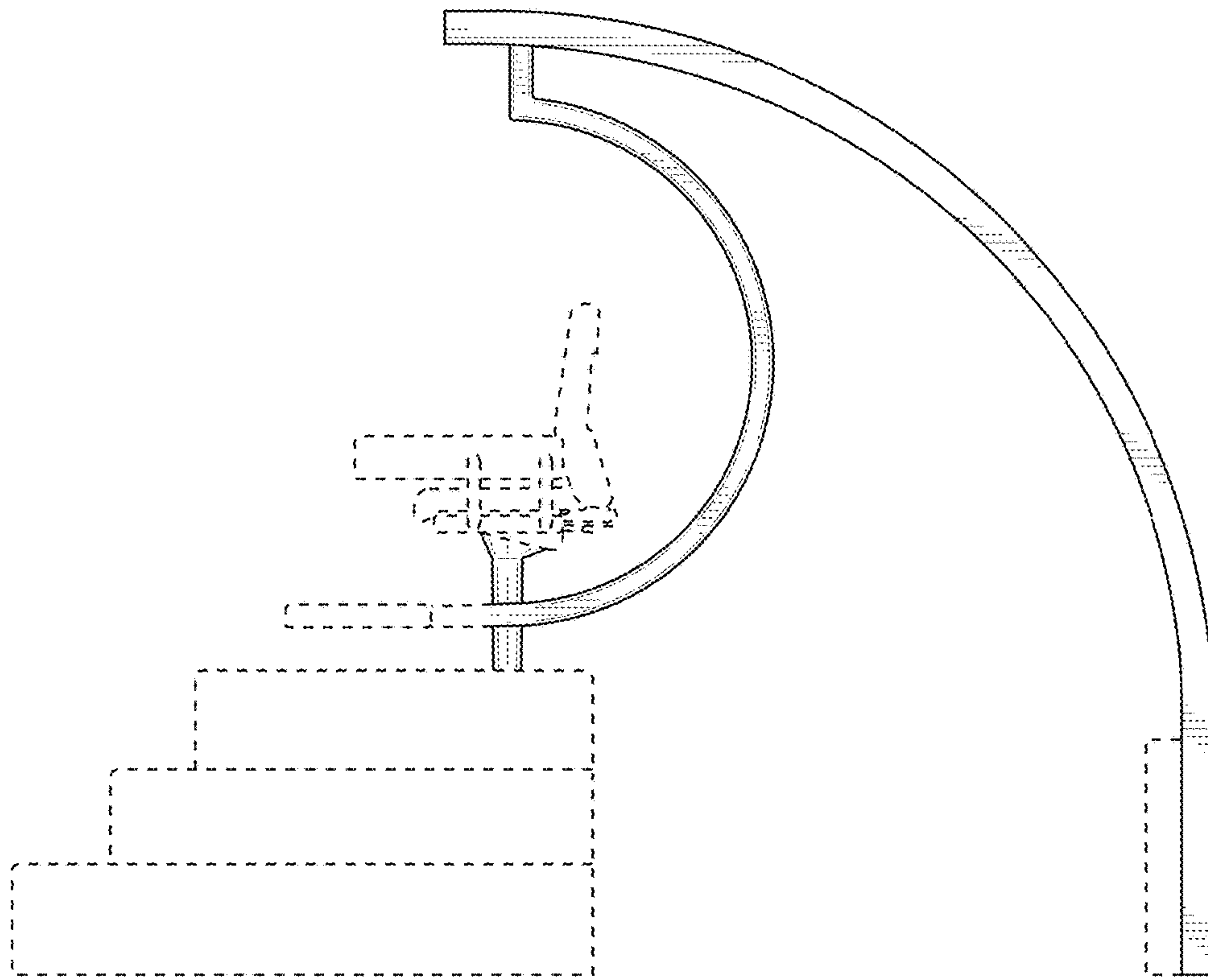


FIG. 4

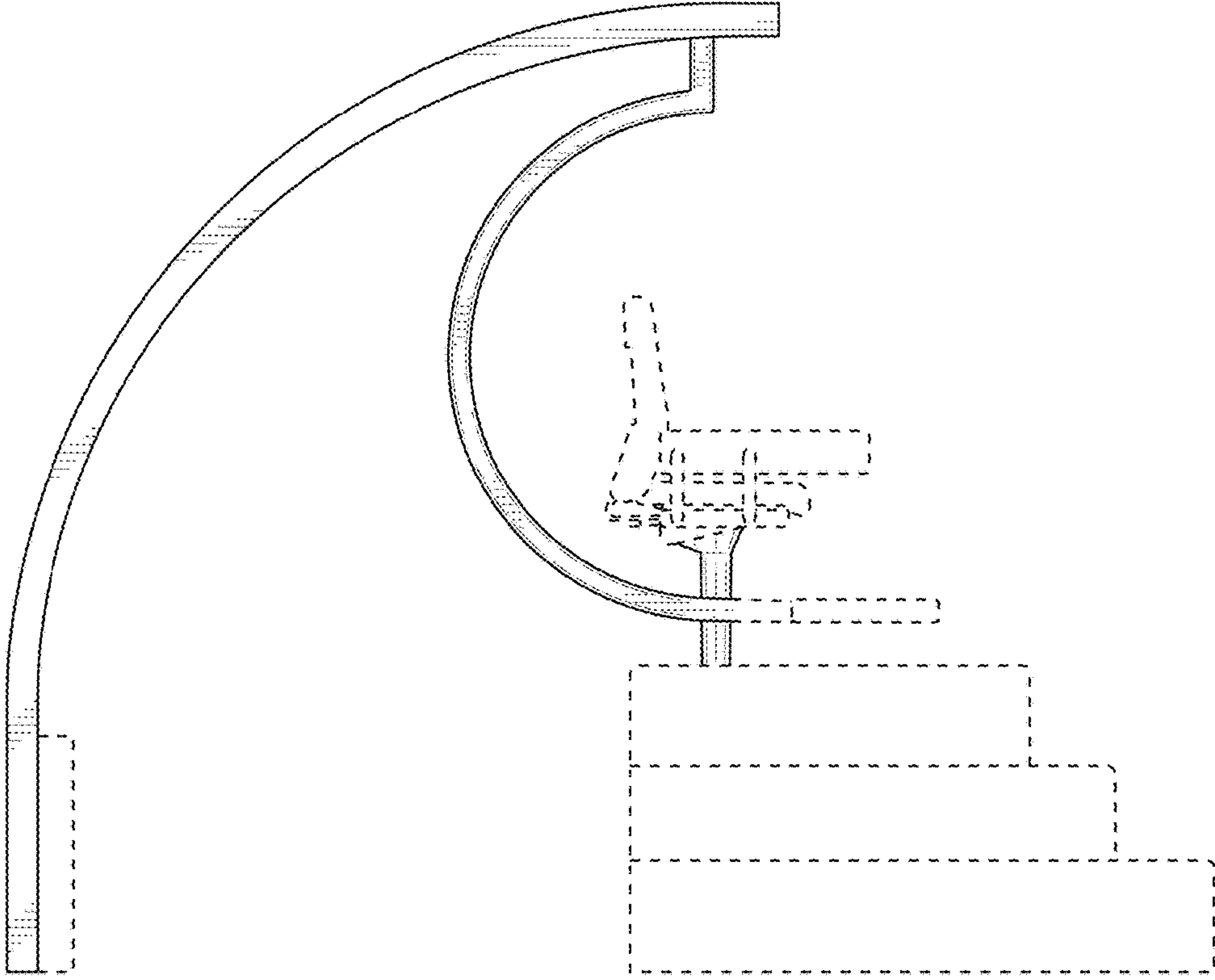


FIG. 5

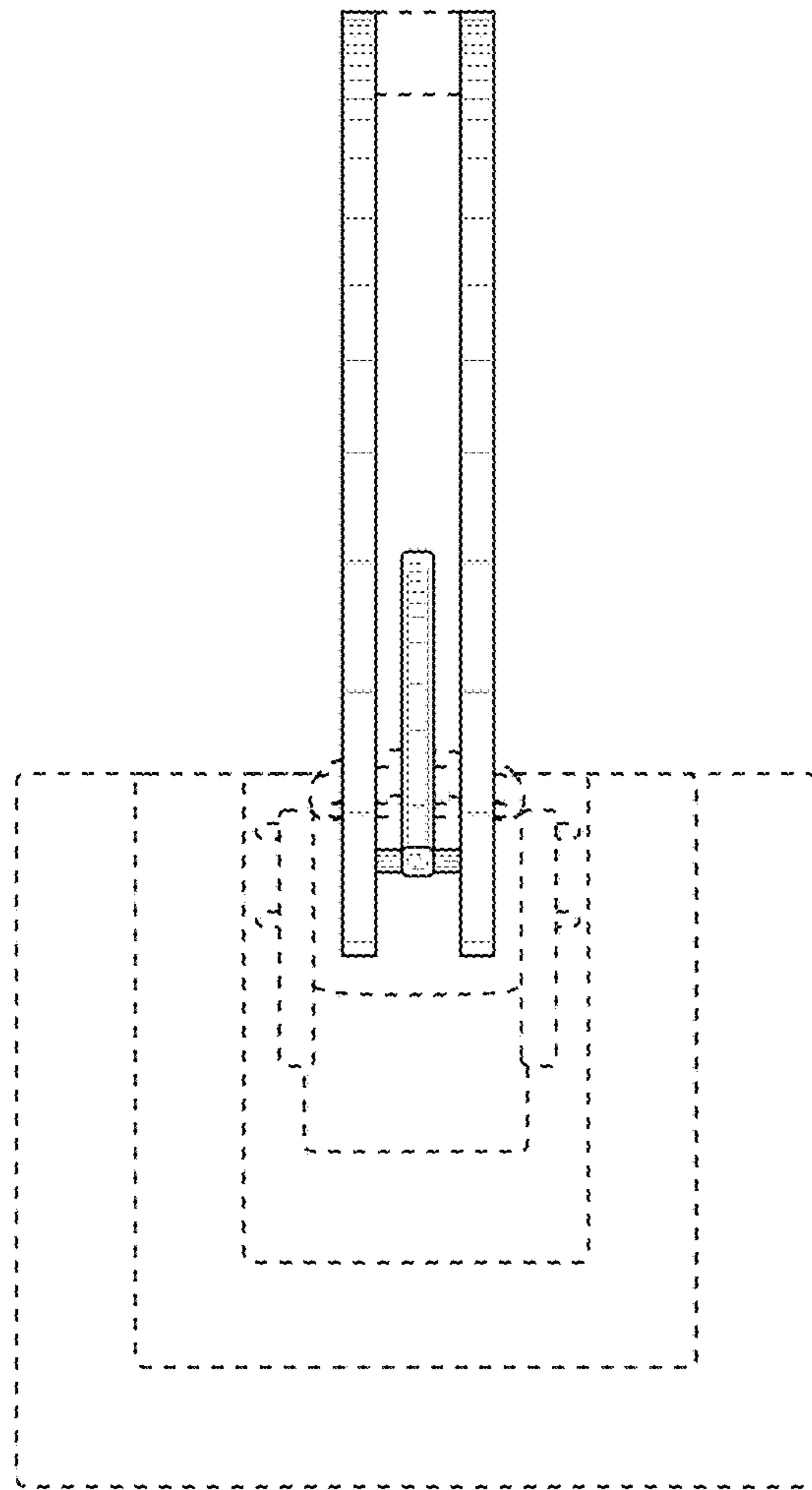


FIG. 6

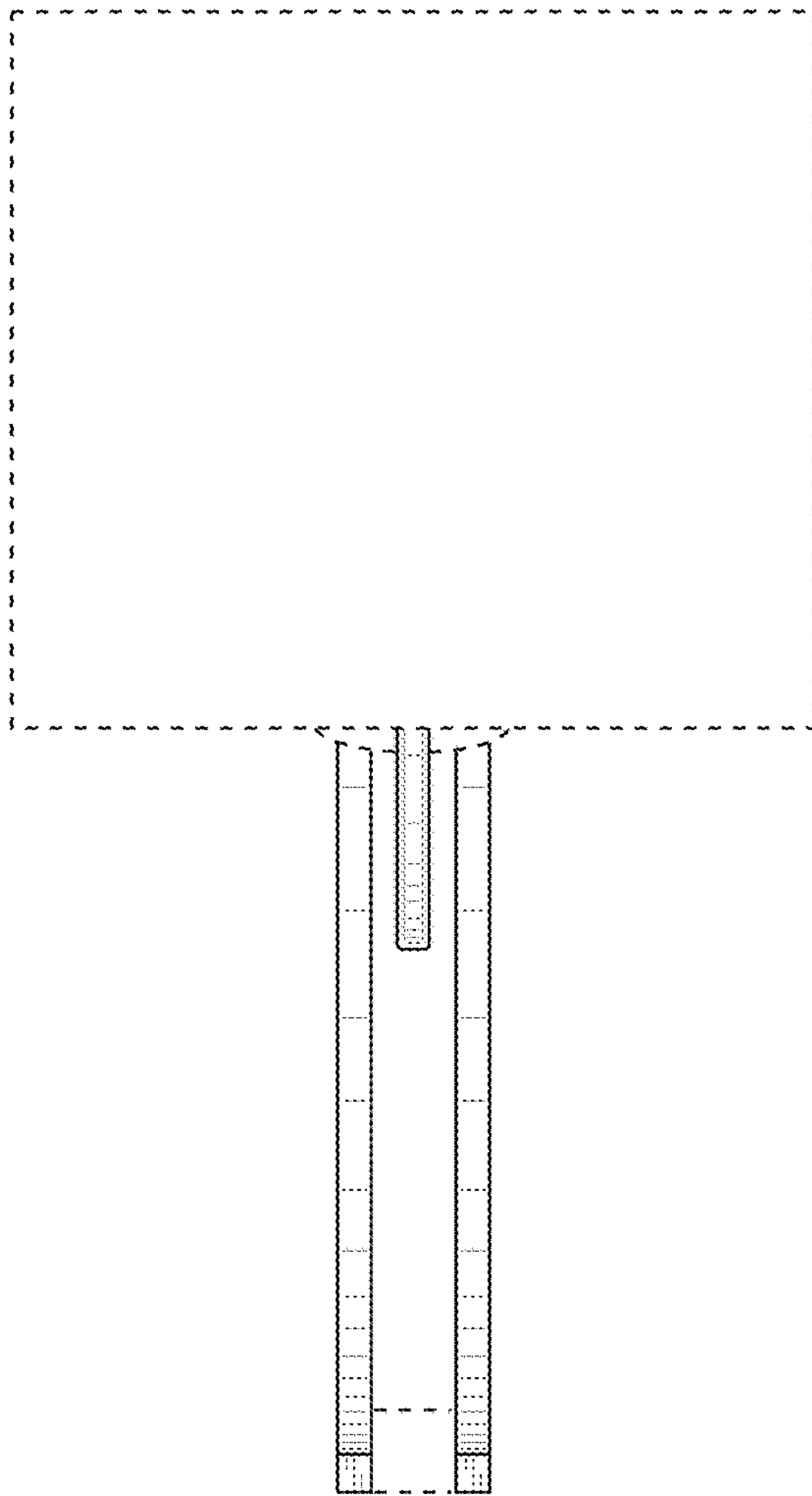


FIG. 7