



US00D852287S

(12) **United States Design Patent**
Gagnon et al.

(10) **Patent No.: US D852,287 S**

(45) **Date of Patent: ** Jun. 25, 2019**

(54) **EXERCISE DEVICE**

(71) Applicants: **Sean Gagnon**, Bernardsville, NJ (US);
Michael Glen Ritter, Mt. Laurel, NJ
(US); **Don Brown**, Williamsport, PA
(US)

(72) Inventors: **Sean Gagnon**, Bernardsville, NJ (US);
Michael Glen Ritter, Mt. Laurel, NJ
(US); **Don Brown**, Williamsport, PA
(US)

(**) Term: **15 Years**

(21) Appl. No.: **29/560,446**

(22) Filed: **Apr. 6, 2016**

(51) **LOC (11) Cl. 21-02**

(52) **U.S. Cl.**
USPC **D21/662**

(58) **Field of Classification Search**
USPC D21/662, 668, 669, 670, 671, 675, 677,
D21/679, 680, 686, 688
CPC A63B 24/0062; A63B 24/0087; A63B
24/0075; A63B 22/0605; A63B
2024/0065; A63B 21/225; A63B 21/4034;
A63B 21/4035; A63B 2220/12; A63B
22/02; A63B 22/0664; A63B 71/0622;
A63B 2024/0068; A63B 2024/0093;
A63B 21/00; A63B 23/035
See application file for complete search history.

(56) **References Cited**

U.S. PATENT DOCUMENTS

D462,098 S * 8/2002 Fazeli D21/456
D667,903 S * 9/2012 Chiu D21/662
D688,755 S * 8/2013 Driessen D21/662
8,622,878 B2 1/2014 Abelbeck
D731,600 S * 6/2015 Bouckaert D21/662
9,144,704 B1 9/2015 Abelbeck

D751,655 S * 3/2016 Januszek D21/662
9,717,941 B2 * 8/2017 Gagnon A63B 21/0615
D800,233 S * 10/2017 Januszek D21/662
D831,760 S * 10/2018 Safranka D21/686
2016/0361585 A1 * 12/2016 Gagnon A63B 21/4023
2017/0252605 A1 * 9/2017 Siqueira A63B 22/201

OTHER PUBLICATIONS

Tire Flip 180XL The Abs Company, [online], [site visited Oct. 18, 2017]. Available from Internet, URL: <https://theabscompany.com/products/tire-flip-180xl/>.*

(Continued)

Primary Examiner — Cathron C Brooks
Assistant Examiner — Katrina N Gonzalez
(74) *Attorney, Agent, or Firm* — QuickPatents, LLC;
Kevin Prince

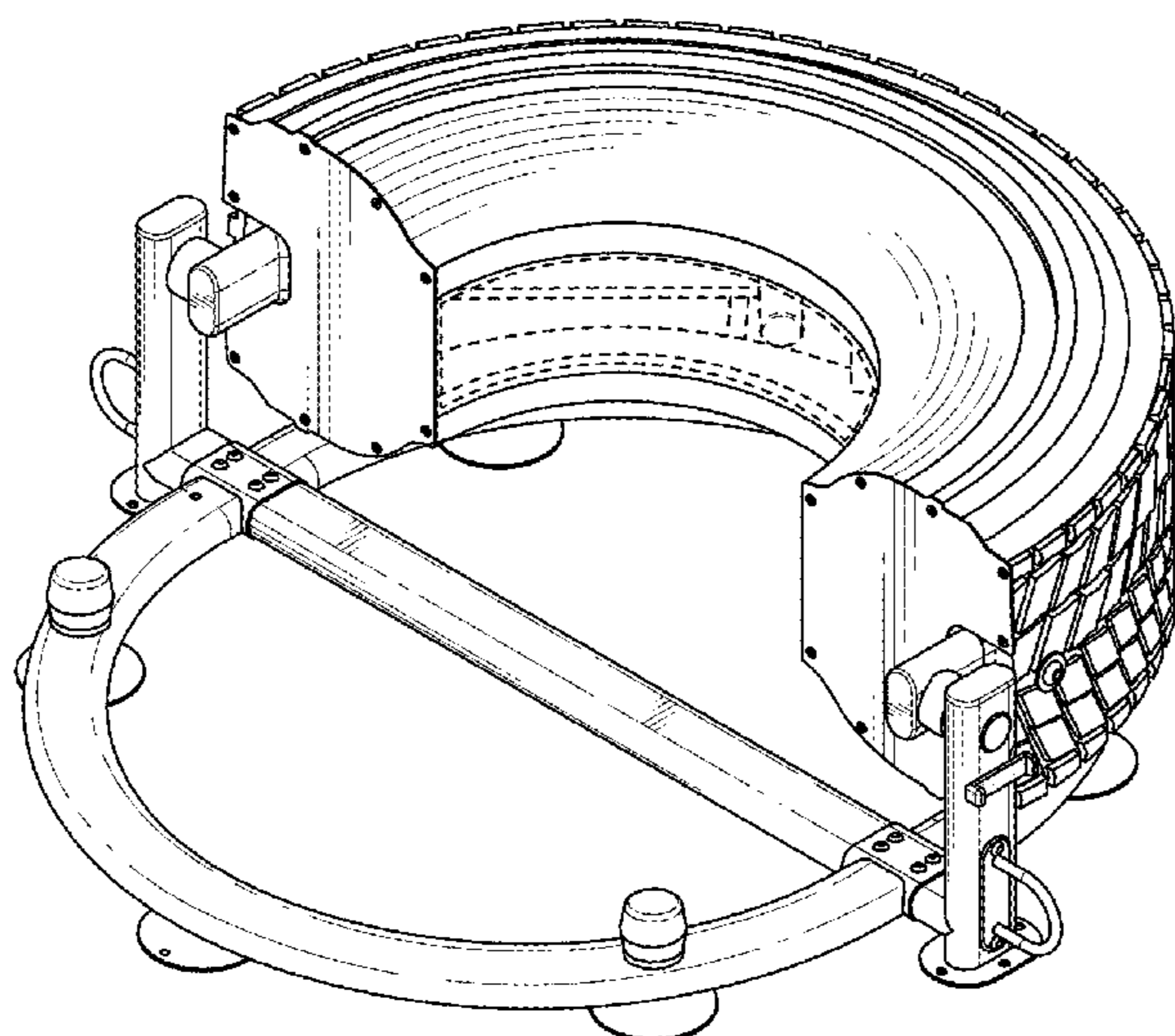
(57) **CLAIM**

We claim the ornamental design for an exercise device, as shown and described.

DESCRIPTION

FIG. 1 is a front perspective view of the exercise device; FIG. 2 is a rear facing perspective view thereof; FIG. 3 is a front elevational view thereof; FIG. 4 is a rear elevational view thereof; FIG. 5 is a right side elevational view, the left side elevational view being a mirror image thereof; FIG. 6 is a top plan view thereof; FIG. 7 is a bottom plan view thereof; FIG. 8 is a right side elevational view, the left side view being a mirror image thereof; shown in a raised position; and, FIG. 9 is a front elevational view of FIG. 8, the rear elevational view being a mirror image thereof. The broken lines illustrate portions of the exercise device that form no part of the claimed design.

1 Claim, 4 Drawing Sheets



(56)

References Cited

OTHER PUBLICATIONS

Tire Flip 180 XL—The Abs CompanyThe Abs Company, [online], [site visited Oct. 18, 2017]. Available from Internet, URL:<https://theabscompany.com/product/tire-flip-180-xl/>.*

TireFlip 180 Functional Training Machine, [online], [site visited Oct. 18, 2017]. Available from Internet, URL:<http://www.ironcompany.com/abs-company-tire-flip-180.aspx>.*

TireFlip 180 XL _ Gym Source, [online], [site visited Oct. 18, 2017]. Available from Internet, URL:<https://www.gymsource.com/equipment/ab-tire-flip-180xl>.*

TireFlip180 Amazon.com, [online], [site visited Oct. 18, 2017]. Available from Internet, URL:<https://www.amazon.co.uk/TireFlip180-functional-training-tyre-Company/dp/B01LYCCCG2>.*

Available Jun. 7, 2018, [online], [site visited Jun. 7, 2018]. Available from Internet, <URL:<https://www.360fitnesssuperstore.com/performance-and-training/cross-training-wod/tire-flip/tire-flip-180>> (Year: 2018).*

* cited by examiner

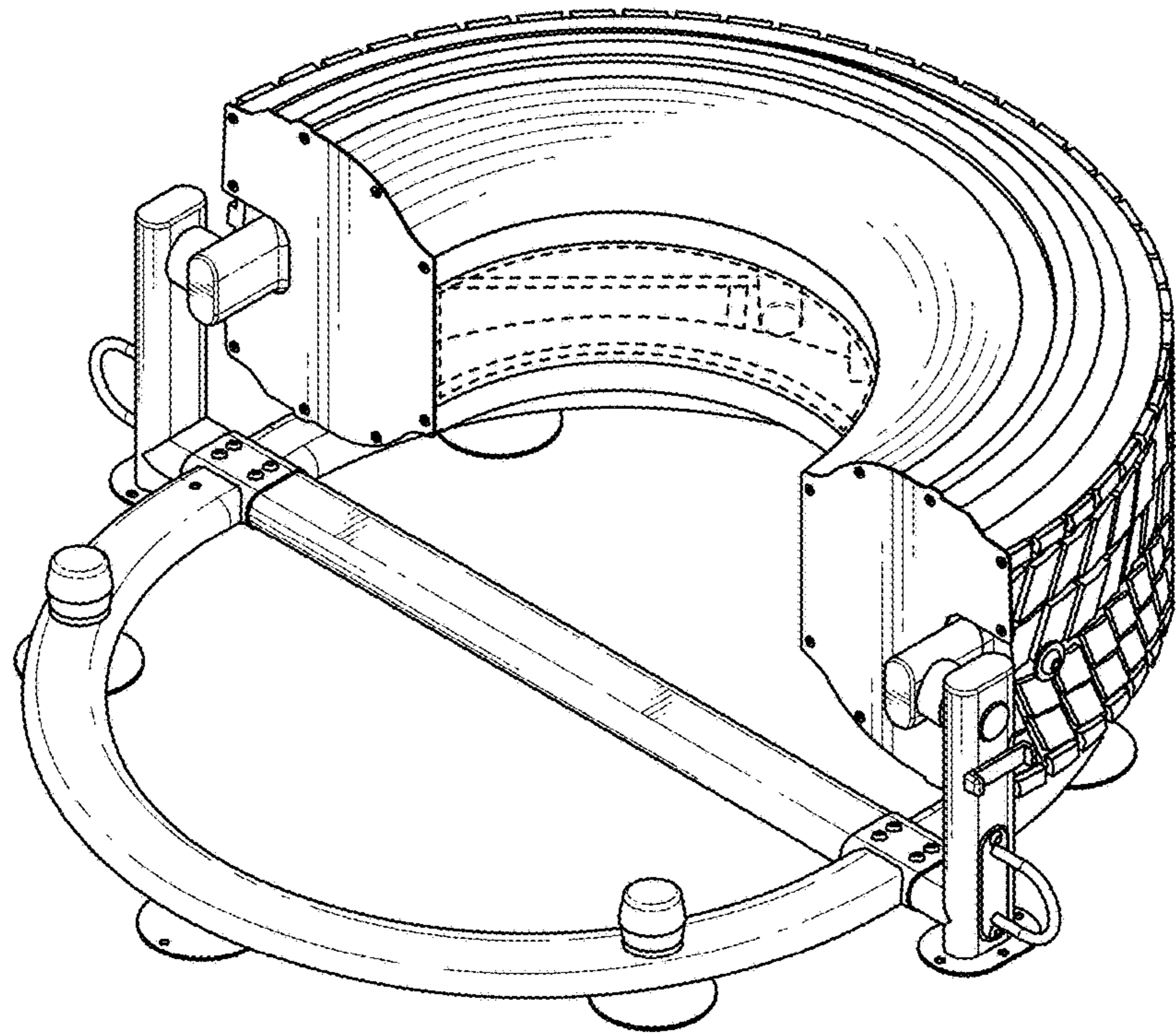


FIG. 1

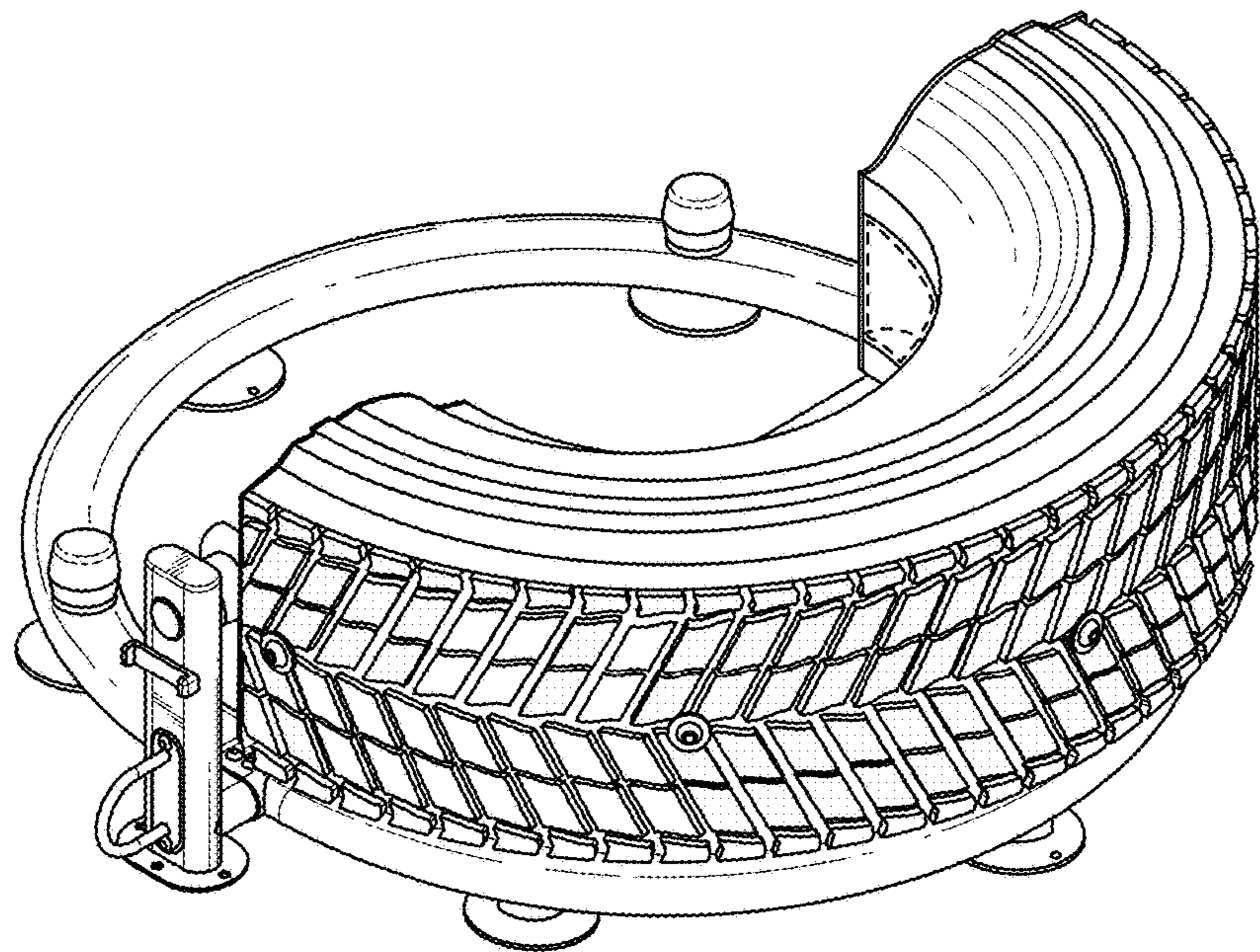


FIG. 2

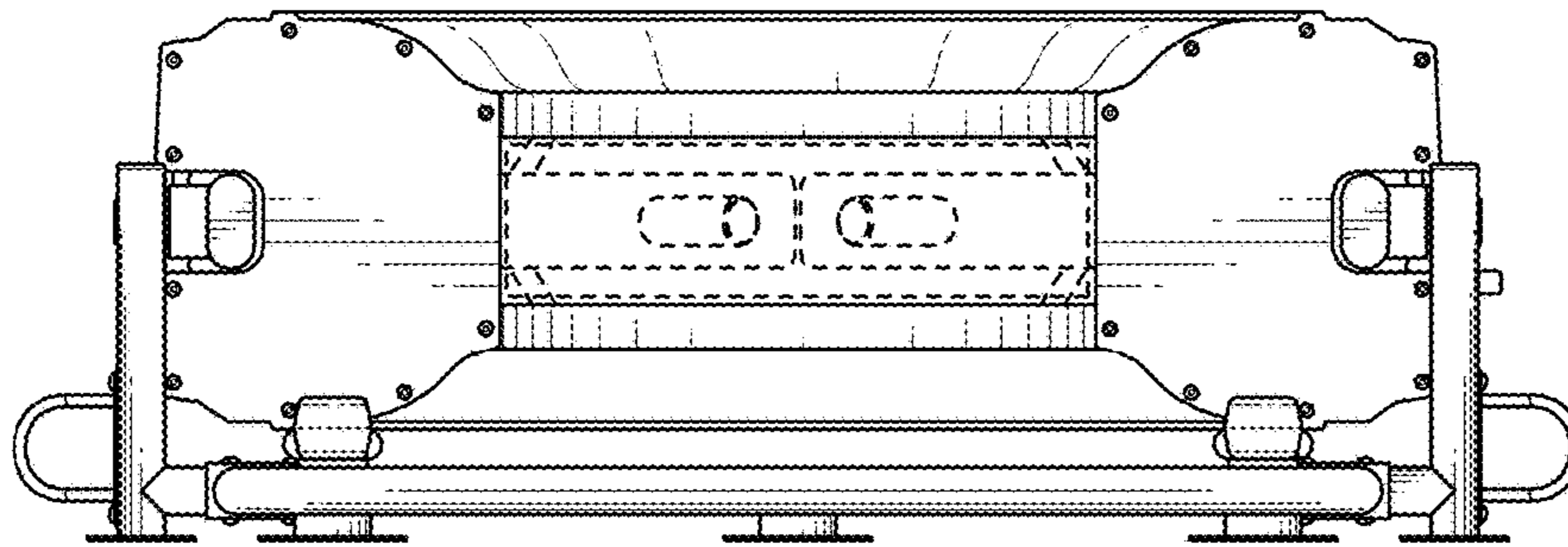


FIG. 3

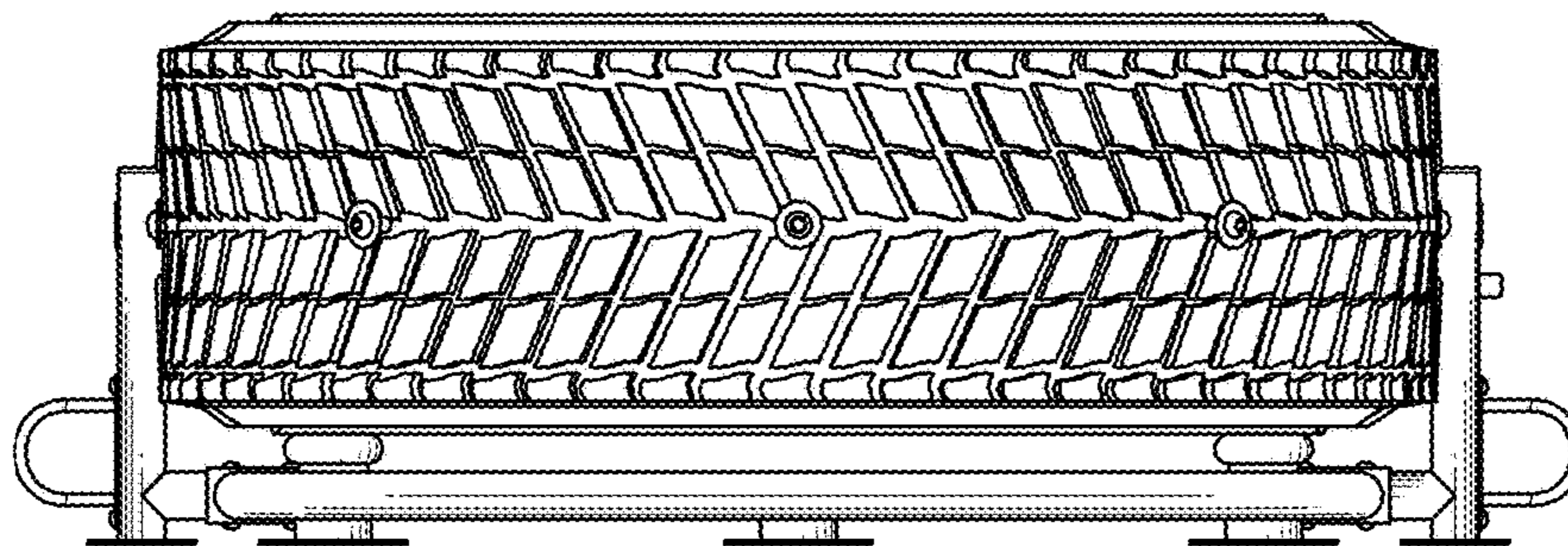


FIG. 4

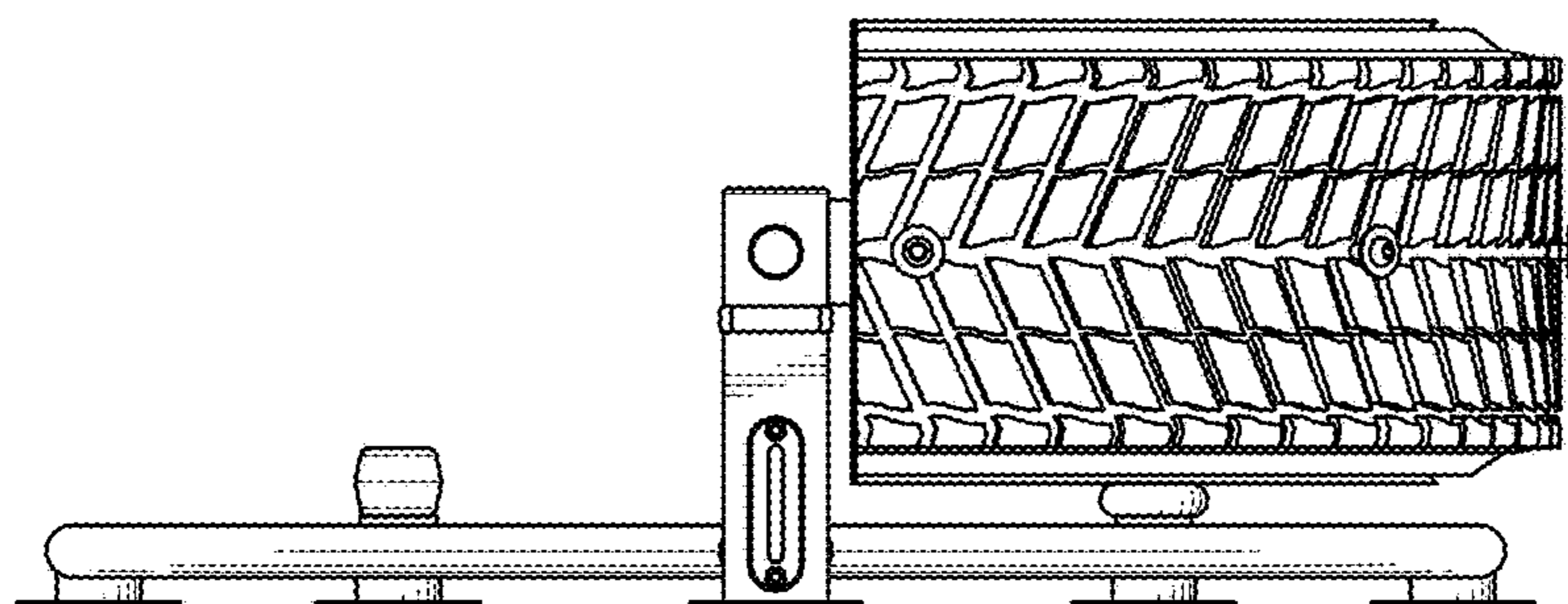


FIG. 5

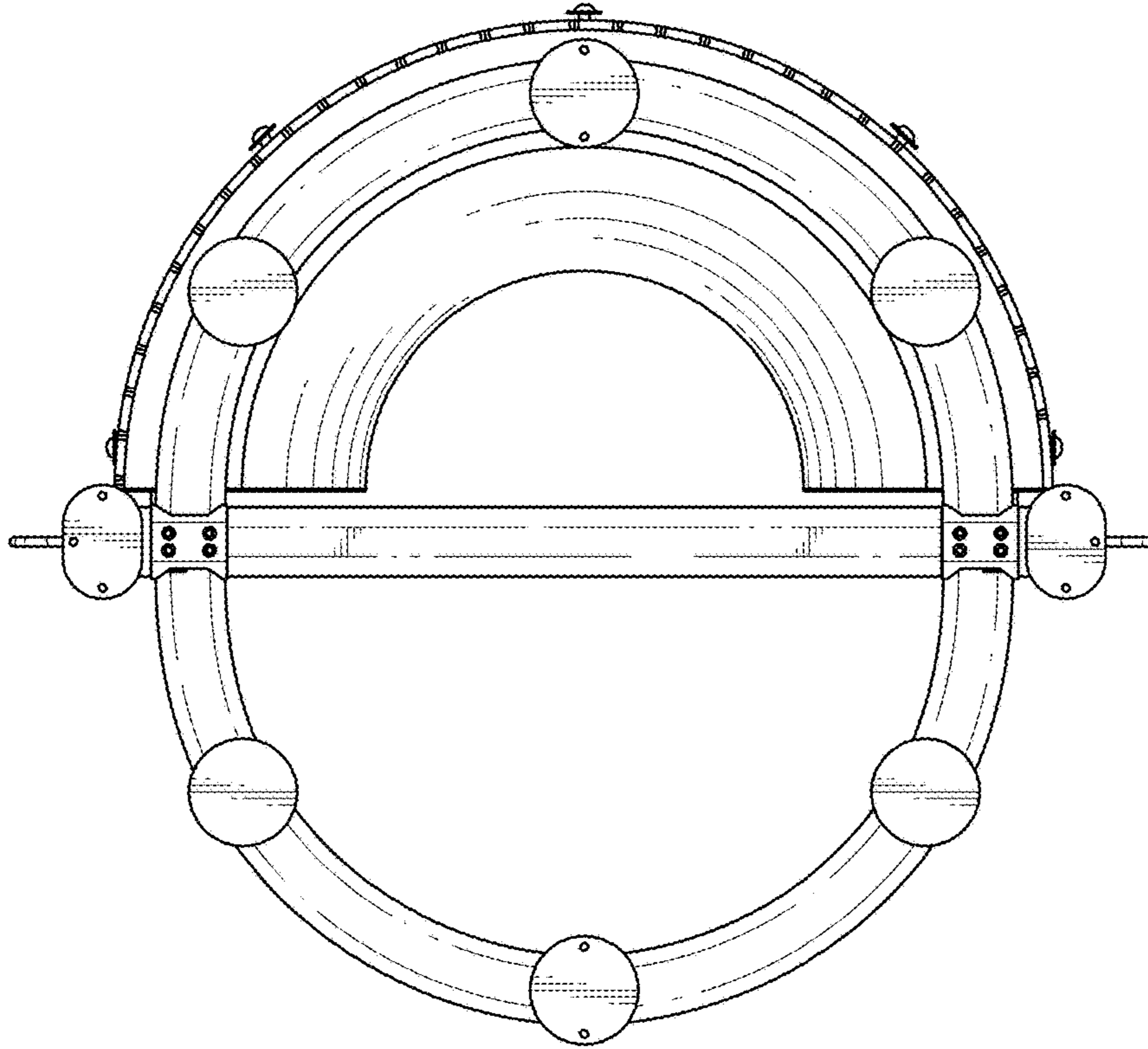


FIG. 7

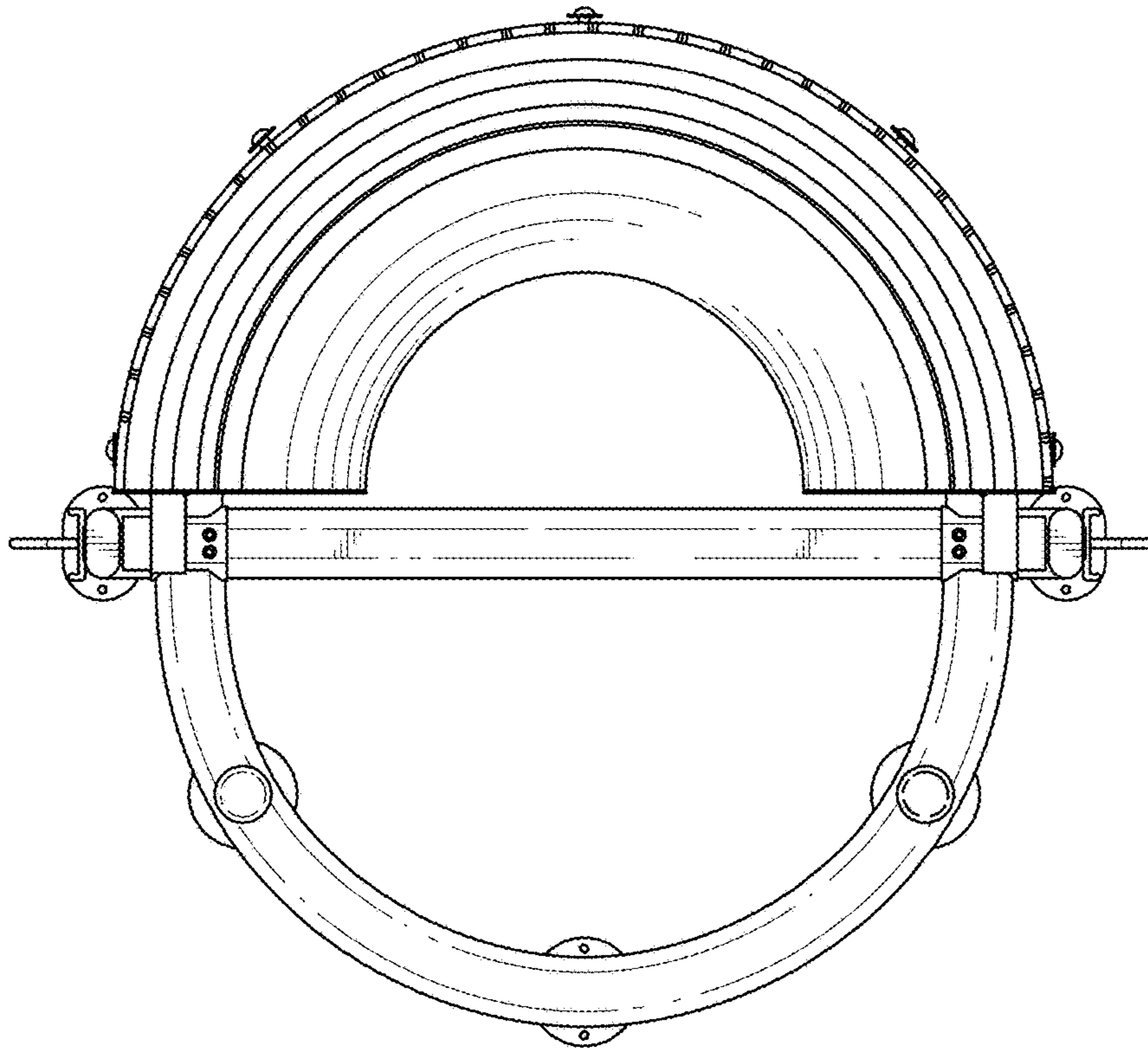


FIG. 6

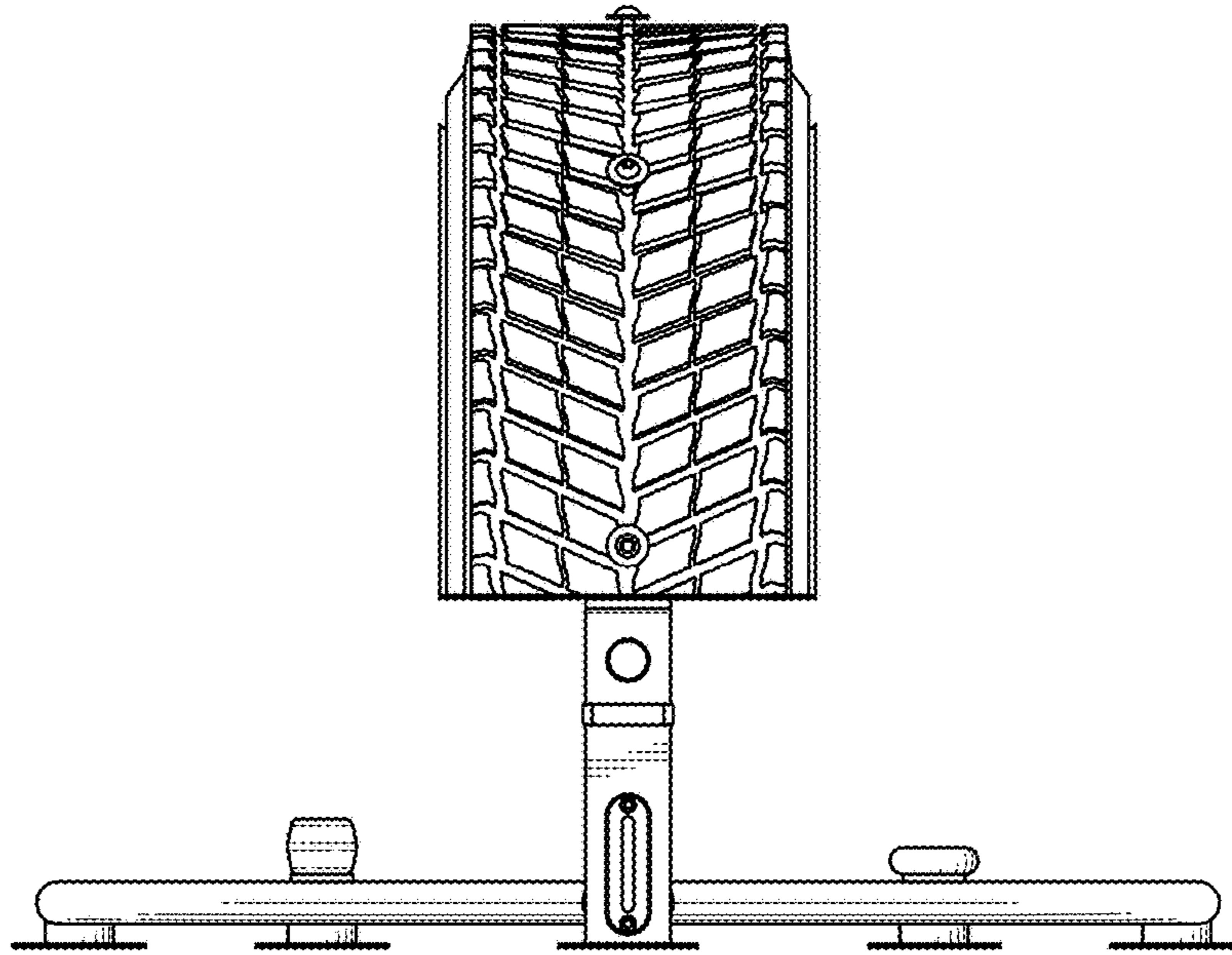


FIG. 8

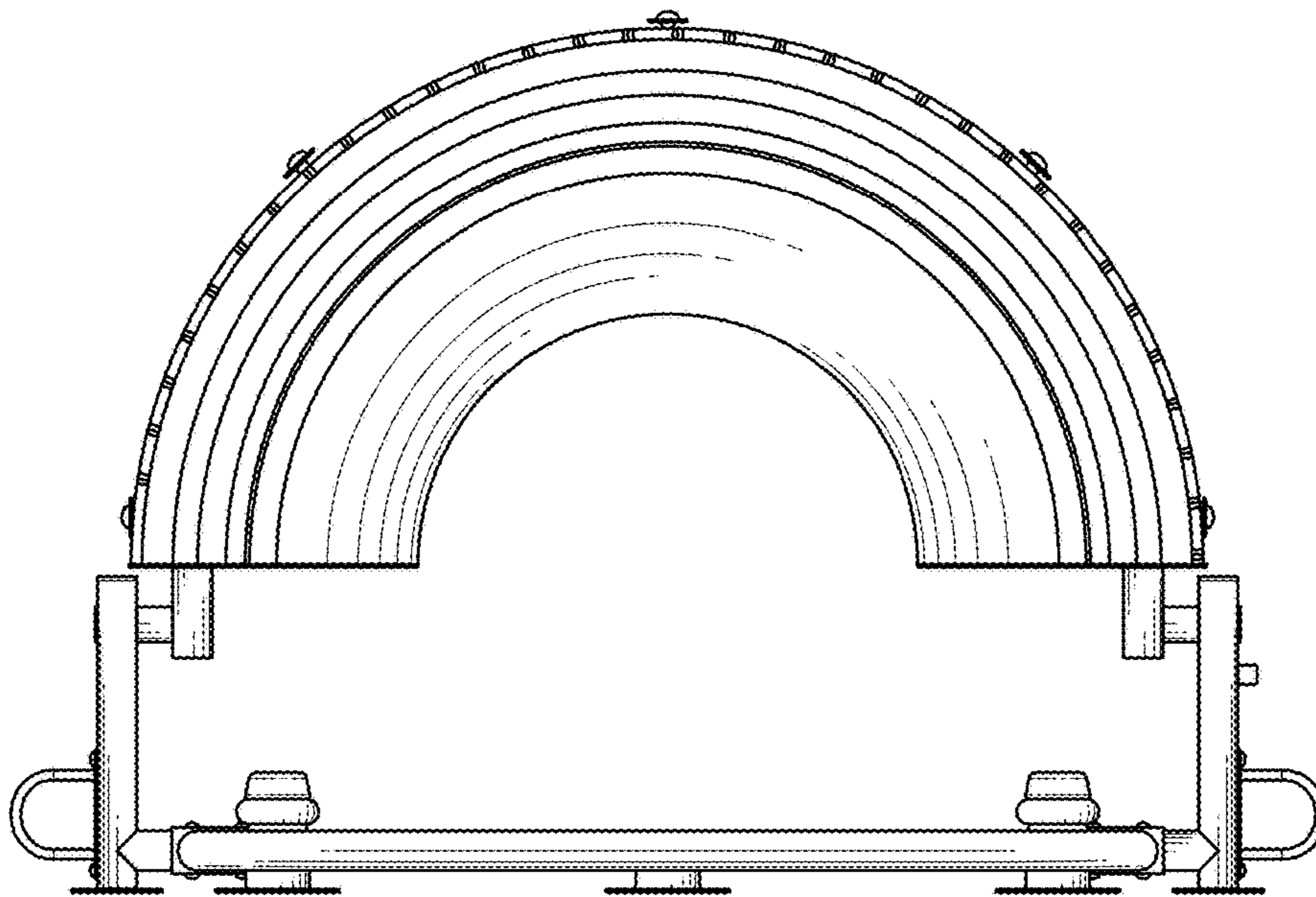


FIG. 9