



US00D852286S

(12) **United States Design Patent** (10) **Patent No.:** **US D852,286 S**  
**Chen** (45) **Date of Patent:** **\*\* Jun. 25, 2019**

(54) **INTELLIGENT ROBOT TOY**

(56) **References Cited**

(71) Applicant: **Guangdong Weili Intelligent Development Co., Ltd**, Shantou, GuangDong (CN)

U.S. PATENT DOCUMENTS

D505,984 S *	6/2005	Robinson	.....	D21/578
D609,287 S *	2/2010	Kinzer	.....	D21/578
D639,353 S *	6/2011	Stibolt	.....	D21/578
D709,141 S *	7/2014	Parker	.....	D15/199
D710,953 S *	8/2014	Katsutani	.....	D15/199
D712,984 S *	9/2014	Lee	.....	D15/199
D761,894 S *	7/2016	Ho	.....	D15/199
D764,604 S *	8/2016	Company	.....	D21/578
D812,152 S *	3/2018	Hwang	.....	D21/578

(72) Inventor: **Lian Chen**, Guangdong (CN)

\* cited by examiner

(73) Assignee: **GUANGDONG WEILI INTELLIGENT DEVELOPMENT CO., LTD**, Shantou, Guangdong (CN)

*Primary Examiner* — Zenia I Bennett

(\*\*) Term: **15 Years**

(74) *Attorney, Agent, or Firm* — Muncy, Geissler, Olds & Lowe, P.C.

(21) Appl. No.: **29/633,572**

(22) Filed: **Jan. 15, 2018**

(57) **CLAIM**

The ornamental design for an intelligent robot toy, as shown and described.

(30) **Foreign Application Priority Data**

**DESCRIPTION**

Nov. 24, 2017 (CN) ..... 2017 3 0584334

(51) **LOC (11) Cl.** ..... **21-01**

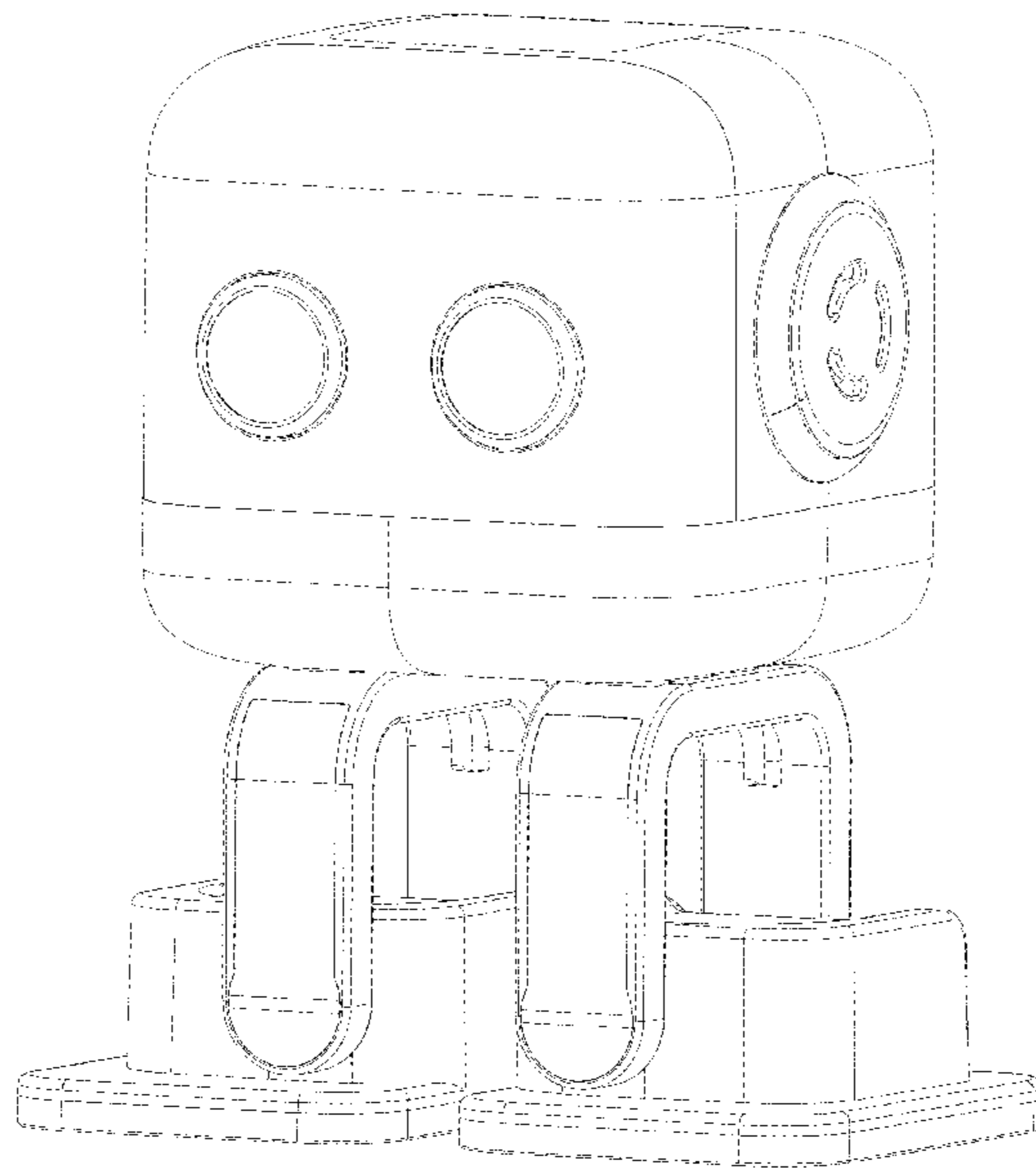
FIG. 1 is a Perspective view of an intelligent robot toy showing my new design;  
FIG. 2 is a Front elevational view thereof;  
FIG. 3 is a Rear elevational view thereof;  
FIG. 4 is a Left side view thereof;  
FIG. 5 is a Right side view thereof;  
FIG. 6 is a Top plan view thereof; and,  
FIG. 7 is a Bottom plan view thereof.

(52) **U.S. Cl.**  
USPC ..... **D21/578**

(58) **Field of Classification Search**  
USPC ..... D21/578–583, 587, 630, 658–661;  
D15/199  
CPC ..... B25J 5/00; B25J 5/007; B25J 9/00; B25J  
11/008

See application file for complete search history.

**1 Claim, 4 Drawing Sheets**



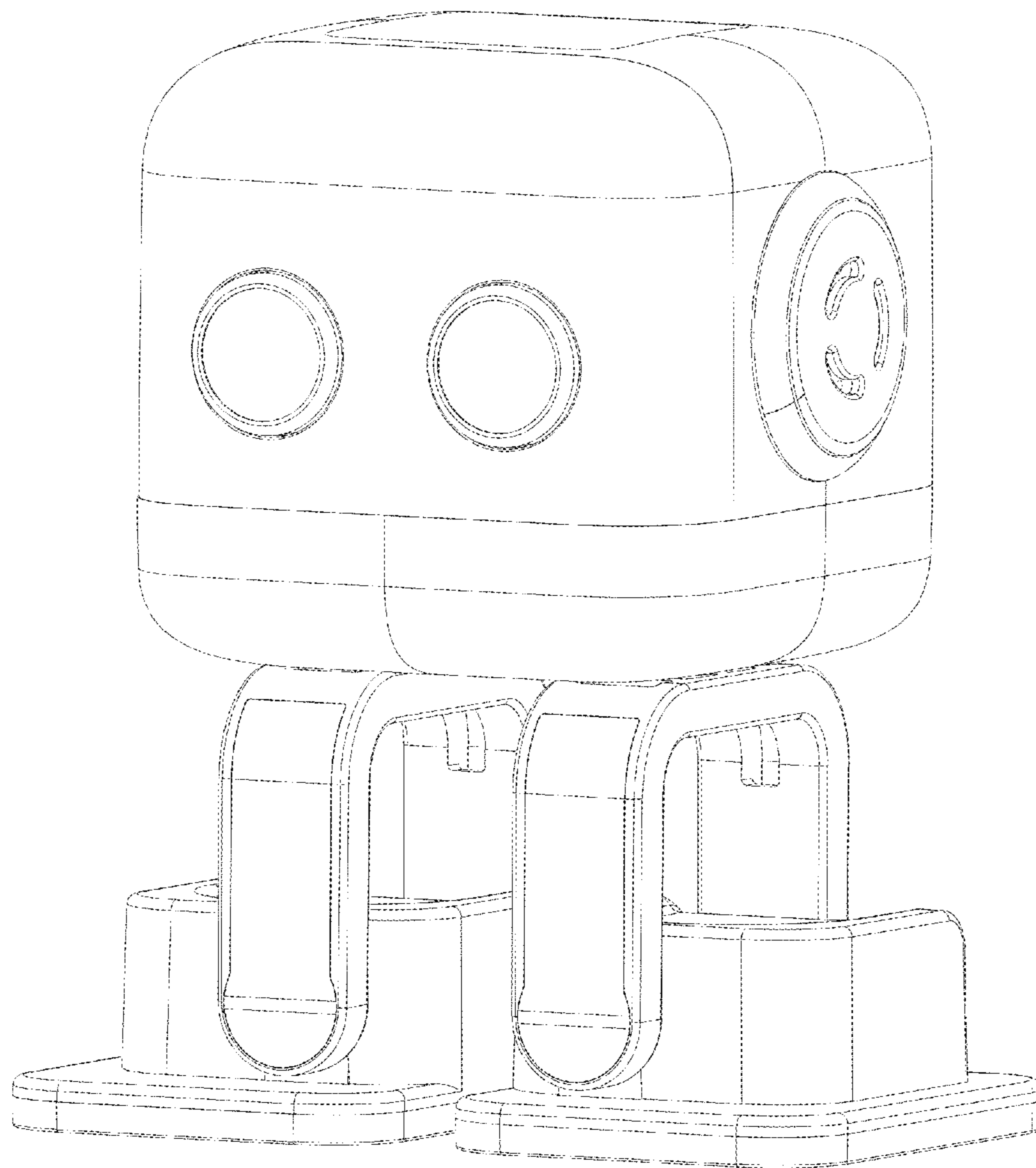


FIG. 1

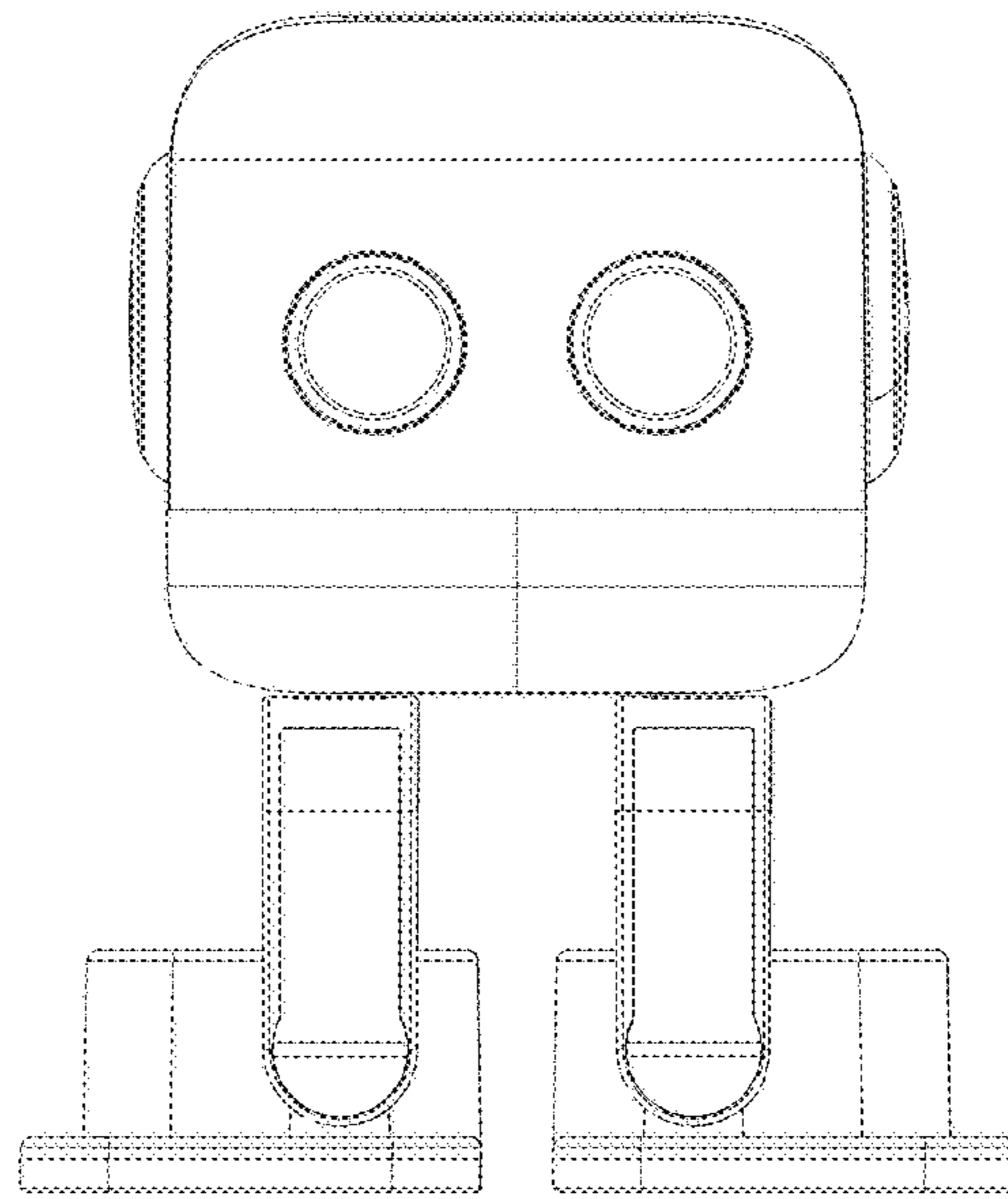


FIG. 2

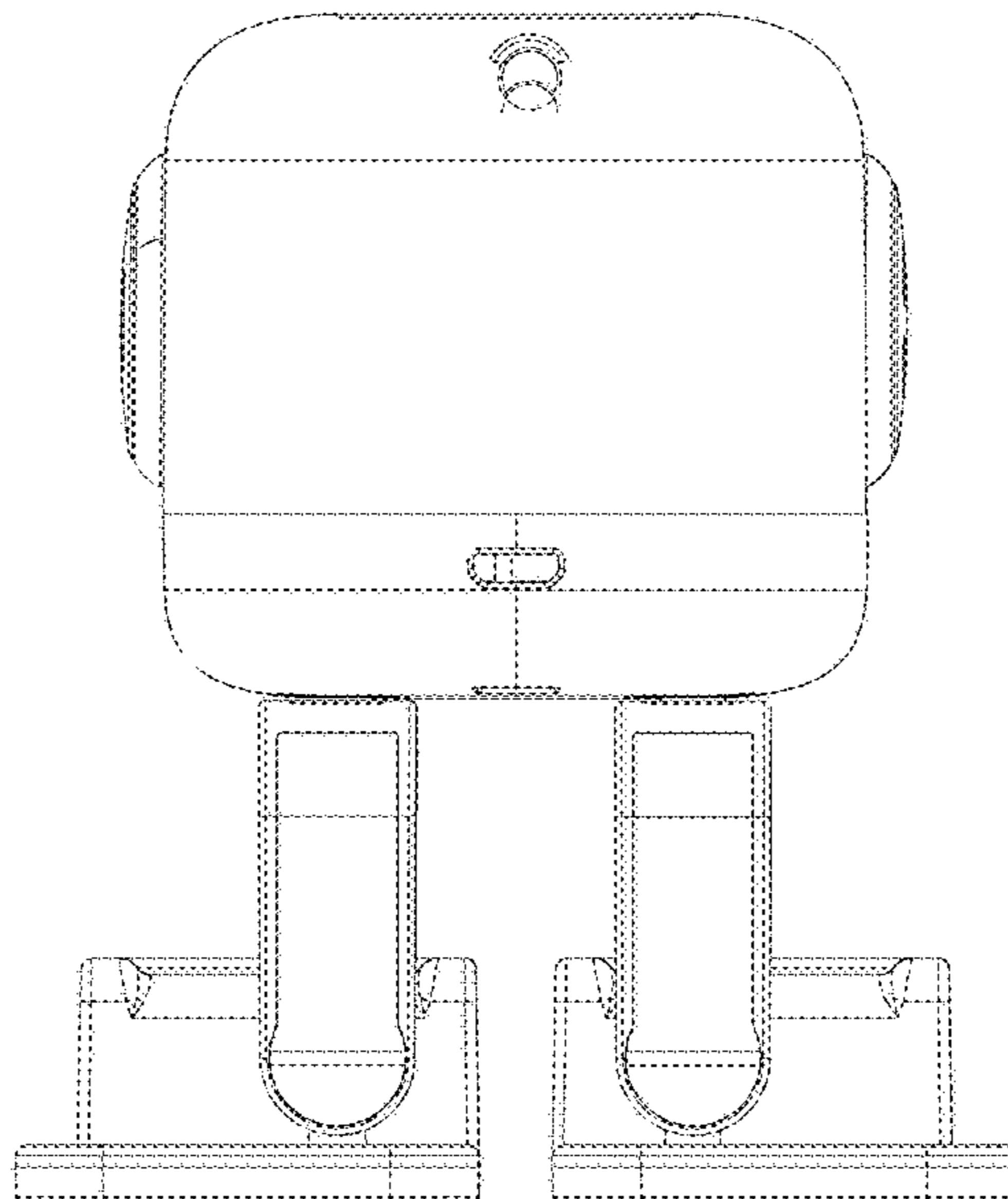


FIG. 3

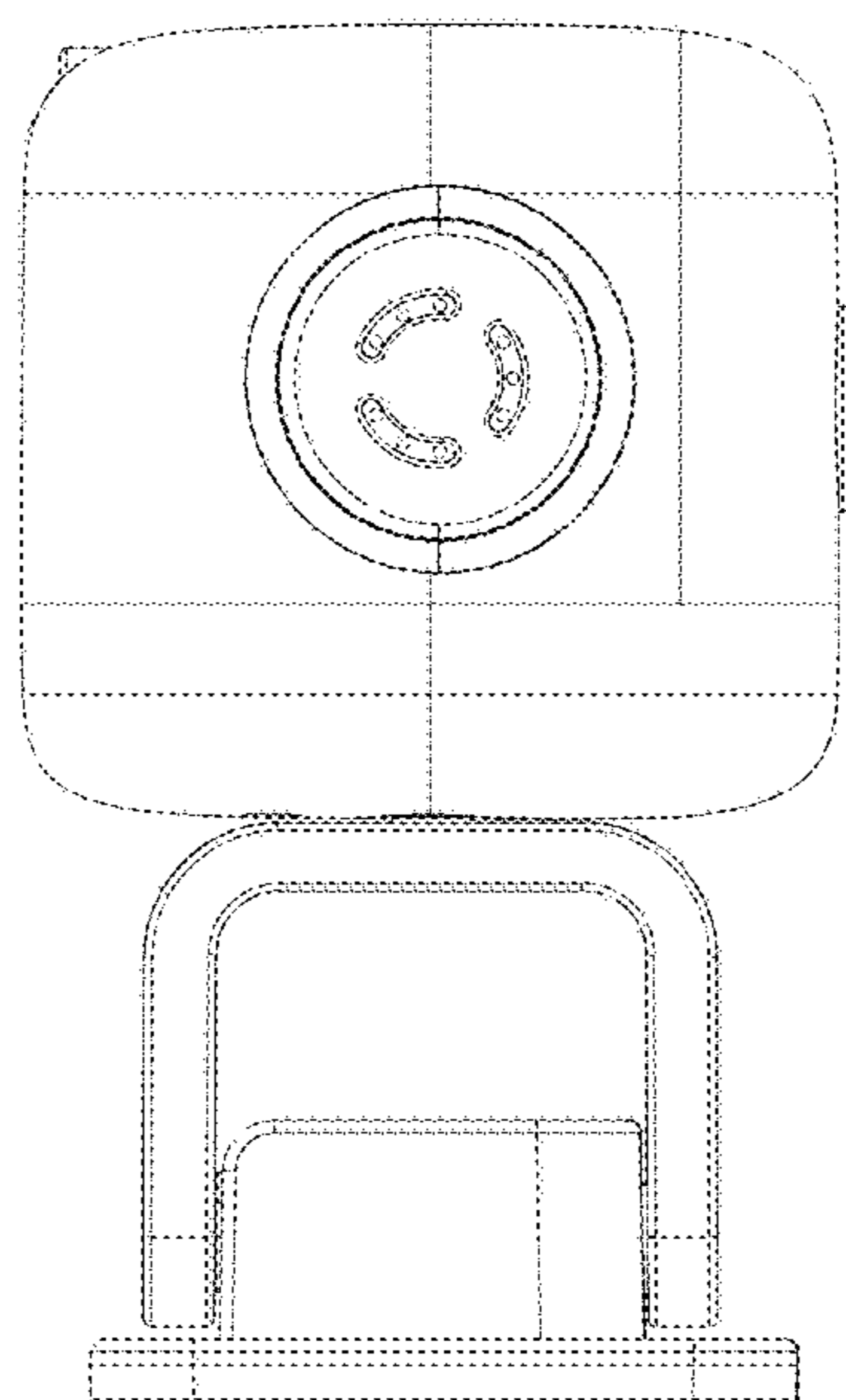


FIG. 4

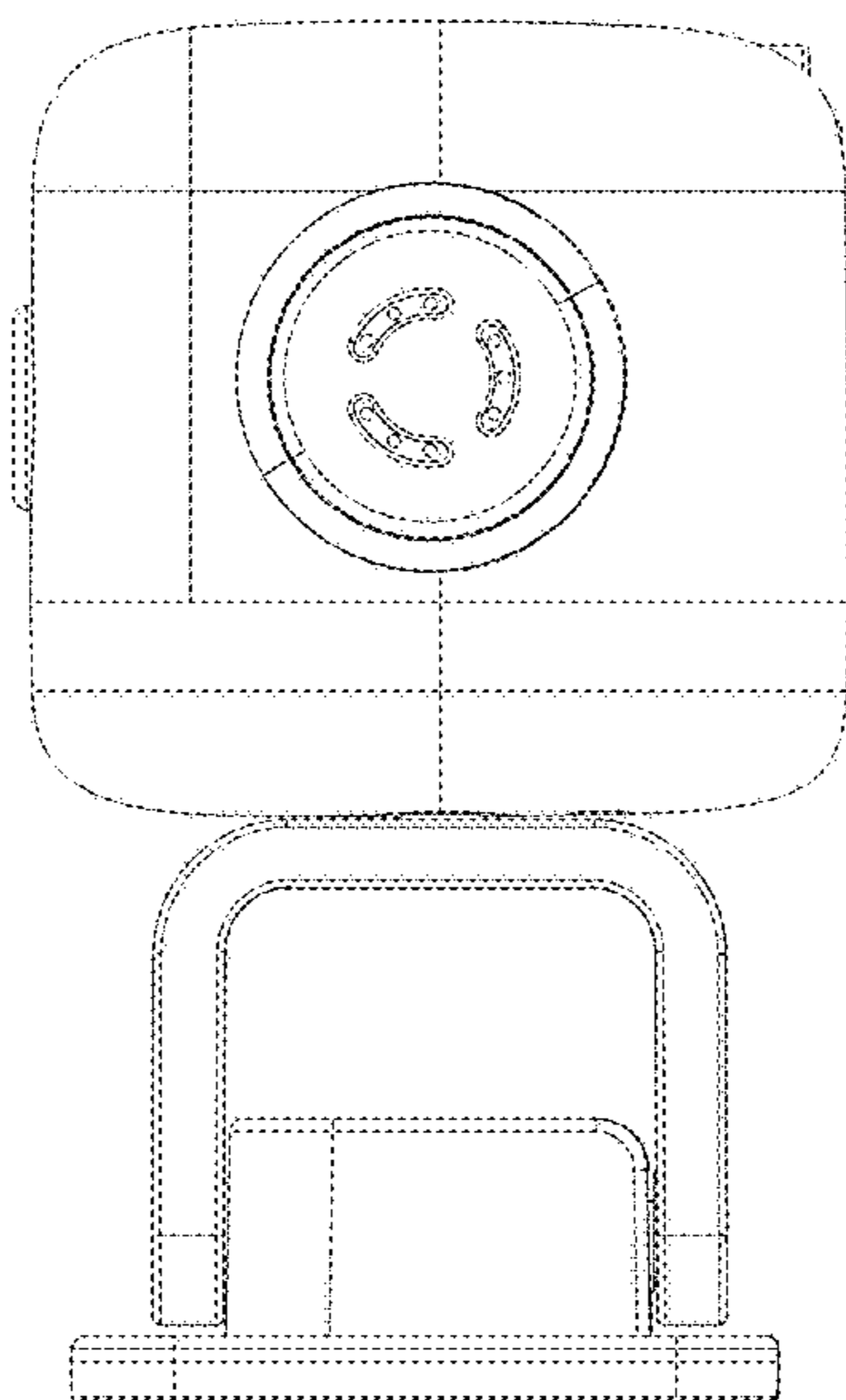


FIG. 5

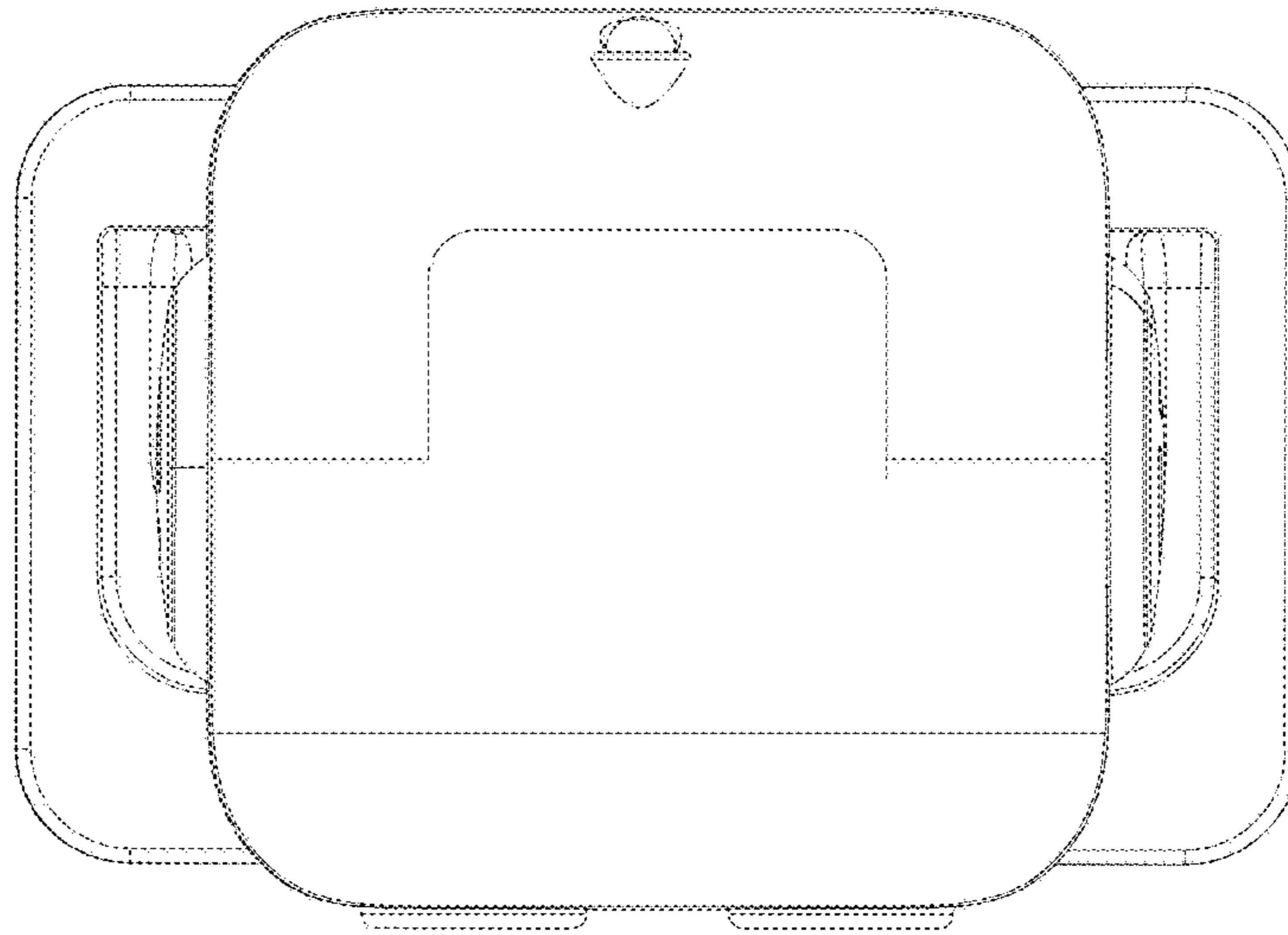


FIG. 6

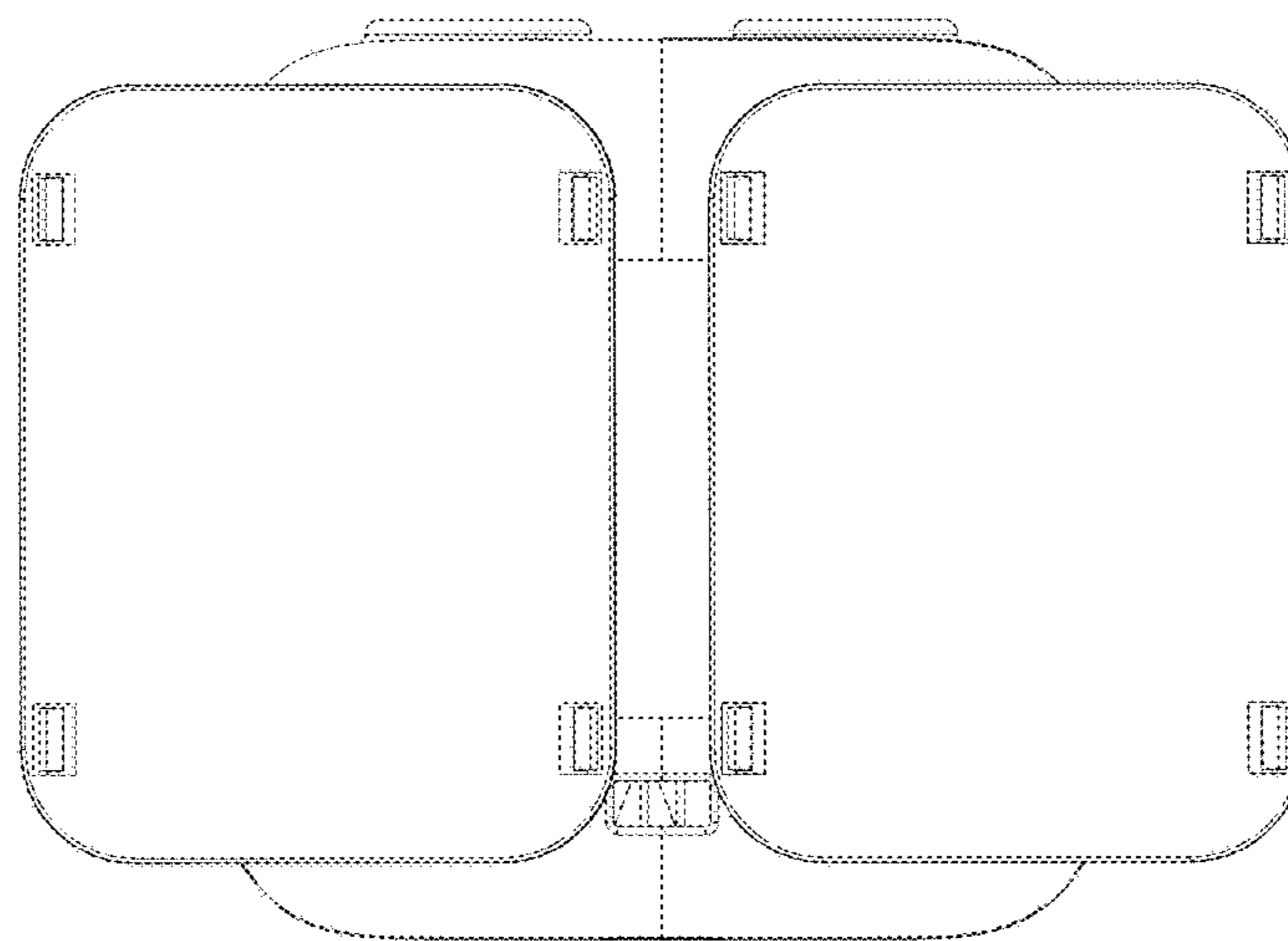


FIG. 7