



US00D852285S

(12) **United States Design Patent**
Qi

(10) **Patent No.:** **US D852,285 S**

(45) **Date of Patent:** **** Jun. 25, 2019**

- (54) **TOY WALKING ROBOT**
- (71) Applicant: **Guangzhou Teching Cultural Development Co., Ltd., Guangzhou OT (CN)**
- (72) Inventor: **Xianyi Qi, Guangzhou (CN)**
- (73) Assignee: **Guangzhou Teching Cultural Development Co., Ltd., Guangzhou (CN)**
- (**) Term: **15 Years**
- (21) Appl. No.: **29/632,275**
- (22) Filed: **Jan. 5, 2018**
- (30) **Foreign Application Priority Data**

| | | | | |
|--------------|---------|-----------|-------|---------|
| D593,164 S * | 5/2009 | Sonoda | | D21/578 |
| D622,786 S * | 8/2010 | Lee | | D21/578 |
| D647,147 S * | 10/2011 | Wong | | D15/199 |
| D647,148 S * | 10/2011 | Wong | | D15/199 |
| D647,149 S * | 10/2011 | Wong | | D15/199 |
| D662,154 S * | 6/2012 | Hara | | D15/199 |
| D680,177 S * | 4/2013 | Wong | | D15/199 |
| D704,279 S * | 5/2014 | Murayama | | D21/578 |
| D711,480 S * | 8/2014 | Lee | | D15/199 |
| D713,477 S * | 9/2014 | Lee | | D15/199 |
| D721,771 S * | 1/2015 | Nakano | | D15/199 |
| D764,605 S * | 8/2016 | Ueda | | D21/578 |
| D794,692 S * | 8/2017 | Haranaka | | D15/199 |
| D795,320 S * | 8/2017 | Liu | | D15/199 |
| D795,321 S * | 8/2017 | Liu | | D15/199 |
| D811,492 S * | 2/2018 | Rehkemper | | D21/578 |
| D822,128 S * | 7/2018 | Ha | | D21/578 |
| D824,978 S * | 8/2018 | Amino | | D15/199 |
| D831,130 S * | 10/2018 | Davis | | D21/621 |
| D835,214 S * | 12/2018 | Xiong | | D21/578 |
| D841,102 S * | 2/2019 | Qi | | D21/531 |

(Continued)

- Nov. 1, 2017 (CN) 2017 3 0531031
- (51) **LOC (11) Cl.** **21-01**
- (52) **U.S. Cl.**
USPC **D21/578**
- (58) **Field of Classification Search**
USPC D14/302, 307; D15/144, 199; D21/576, D21/578, 579, 621-627, 630; D24/185
CPC . B25J 9/044; B25J 9/003; B25J 9/0078; B25J 9/102; B25J 18/00; B25J 18/002; B25J 18/04; B25J 18/007; B25J 15/00; B25J 15/0033; B25J 15/0038; G01N 35/0099; G01N 2035/0405
See application file for complete search history.

Primary Examiner — Robin V Webster
Assistant Examiner — Keith J Wilson
 (74) *Attorney, Agent, or Firm* — Wang Law Firm, Inc.

(57) **CLAIM**

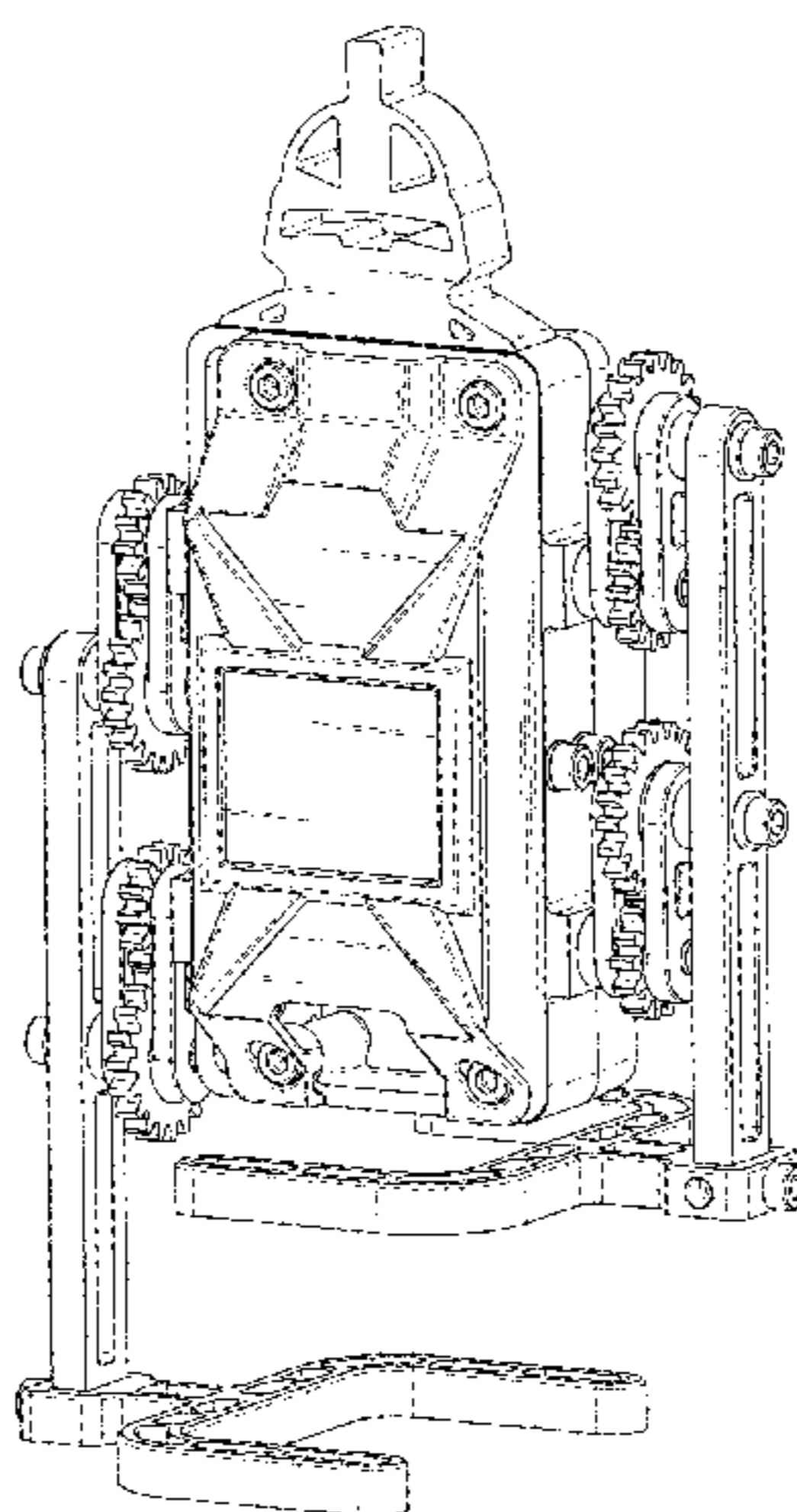
The ornamental design for a toy walking robot, as shown and described.

DESCRIPTION

FIG. 1 is a perspective view of the toy walking robot showing my new design;
 FIG. 2 is a front elevation view thereof;
 FIG. 3 is a rear elevation view thereof;
 FIG. 4 is a left side elevation view thereof;
 FIG. 5 is a right side elevation view thereof;
 FIG. 6 is a top plan view thereof;
 FIG. 7 is a bottom plan view thereof; and,
 FIG. 8 is a perspective view of the toy walking robot from another angle of view showing my new design.

1 Claim, 8 Drawing Sheets

- (56) **References Cited**
U.S. PATENT DOCUMENTS
D294,055 S * 2/1988 Shibukawa D21/578
D294,157 S * 2/1988 Matsumoto D21/578
D295,652 S * 5/1988 Kitamura D21/578
D297,039 S * 8/1988 Matsumoto D21/578



(56)

References Cited

U.S. PATENT DOCUMENTS

D841,103 S * 2/2019 Lee D21/578
D841,708 S * 2/2019 Koshiishi D15/199

* cited by examiner

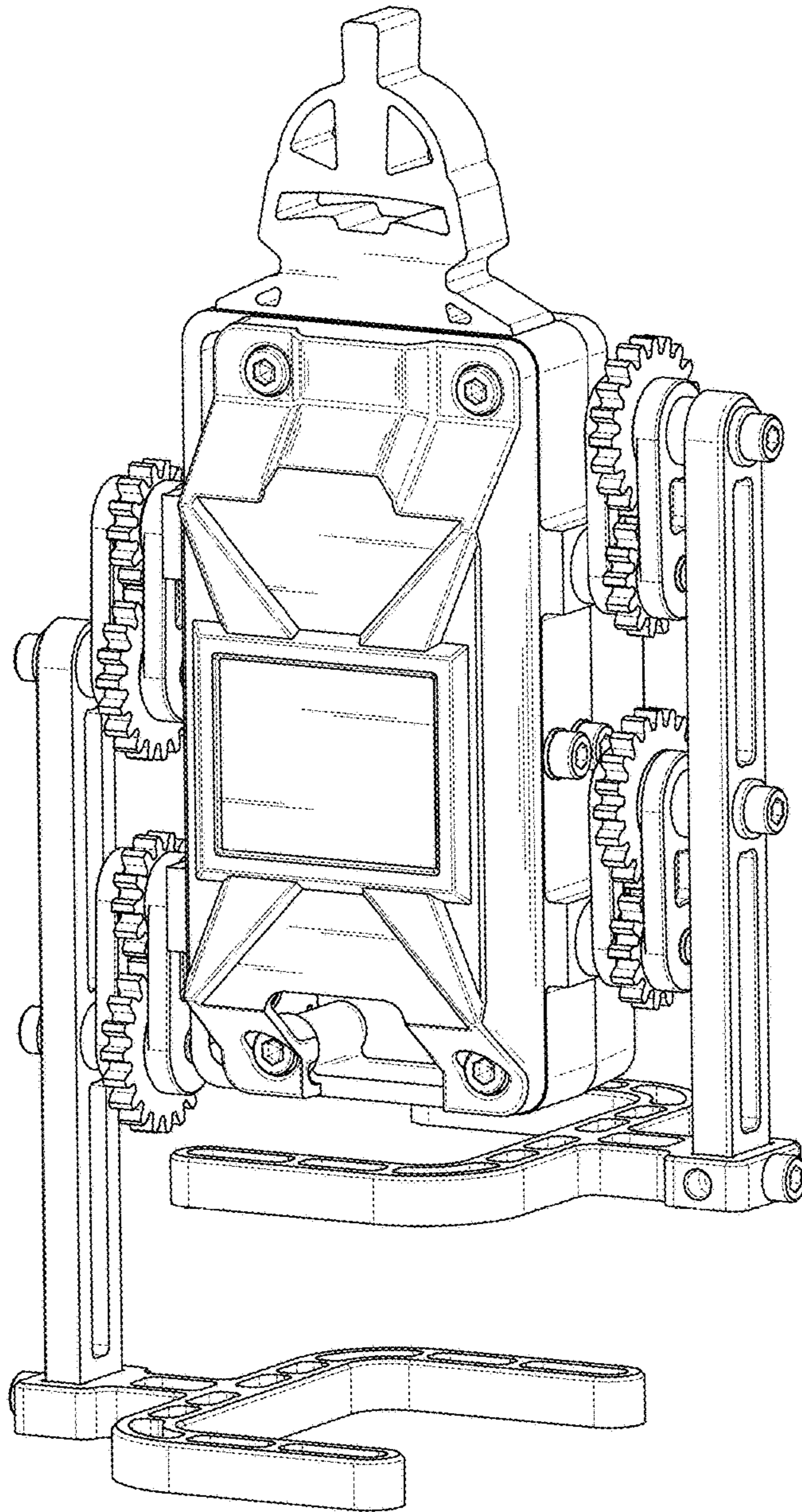


FIG.1

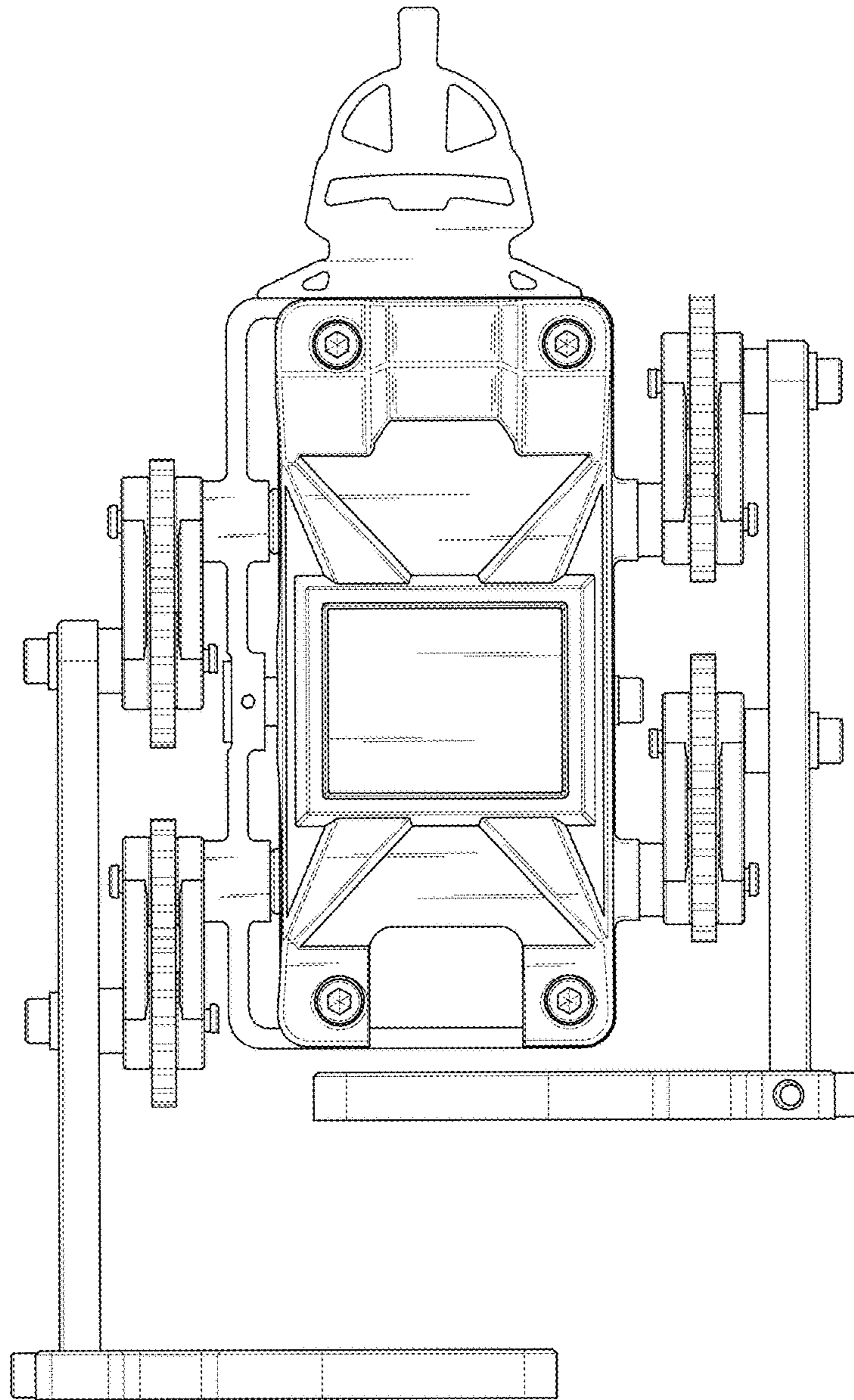


FIG.2

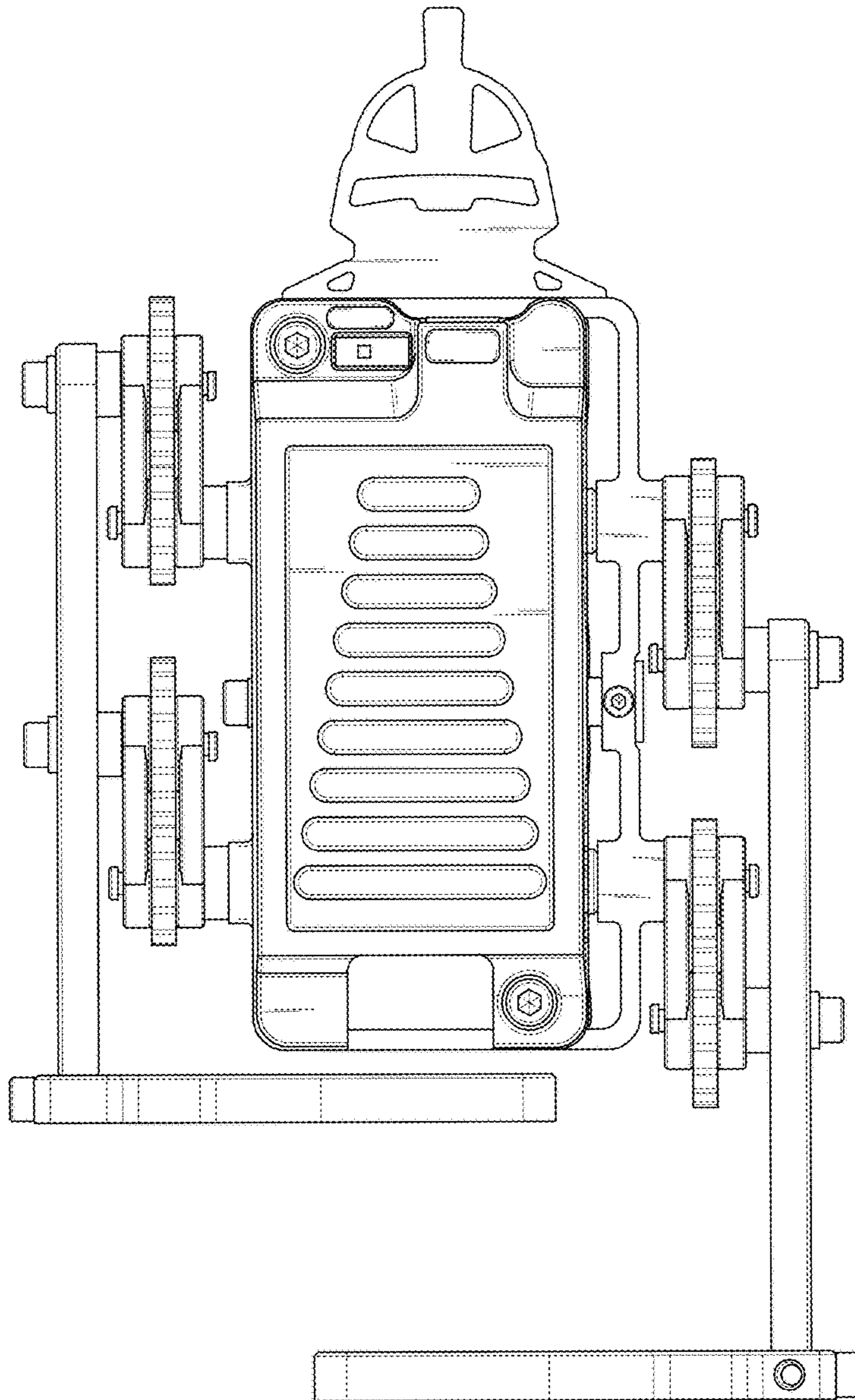


FIG.3

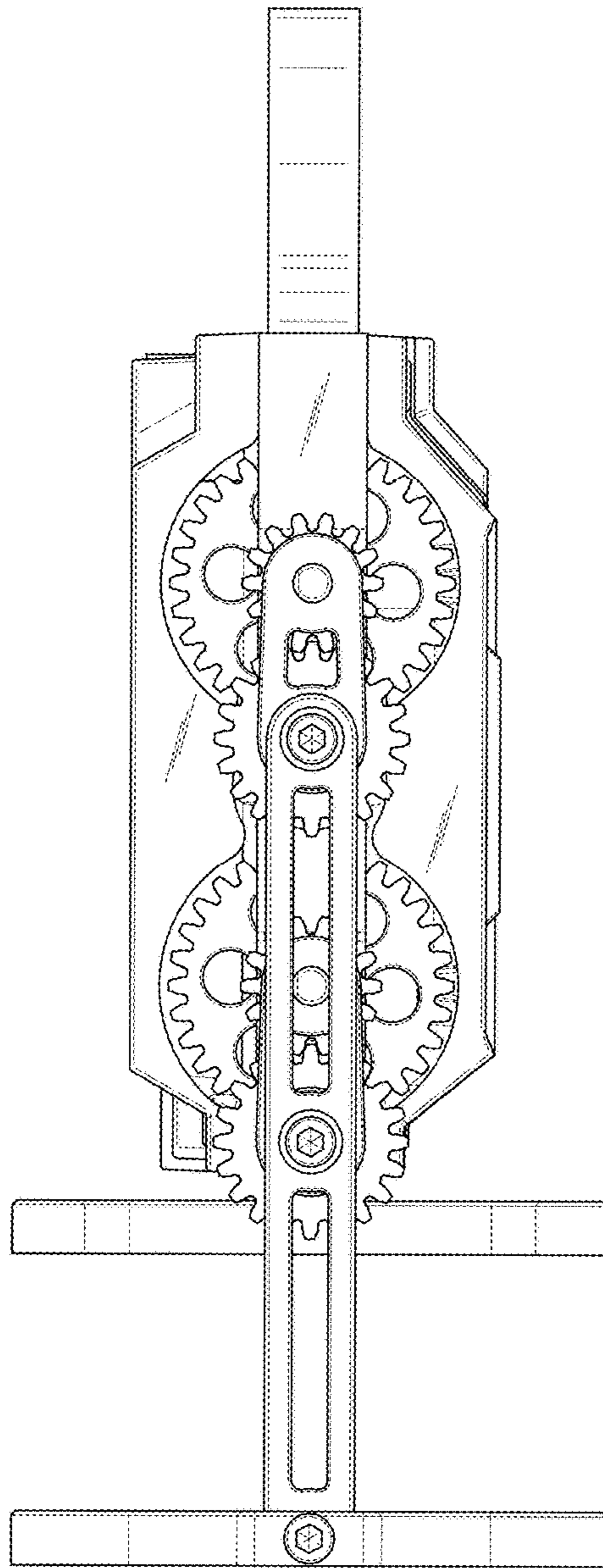


FIG.4

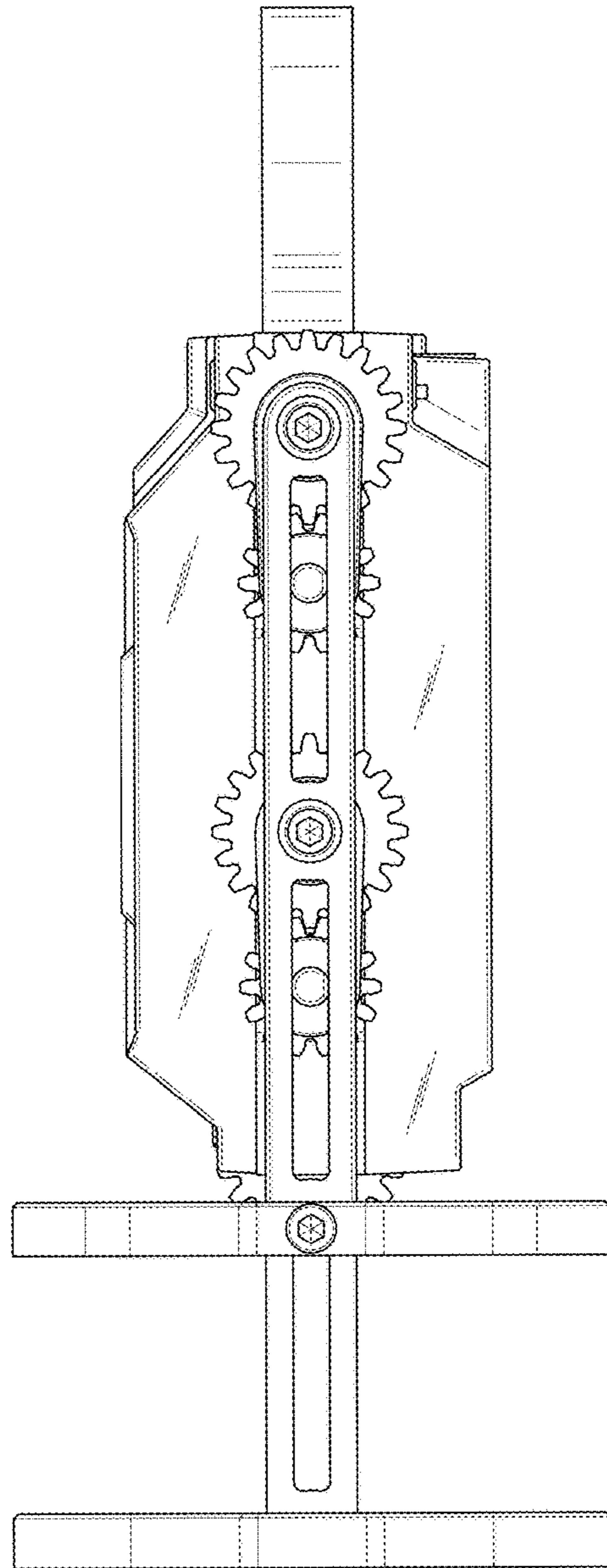


FIG. 5

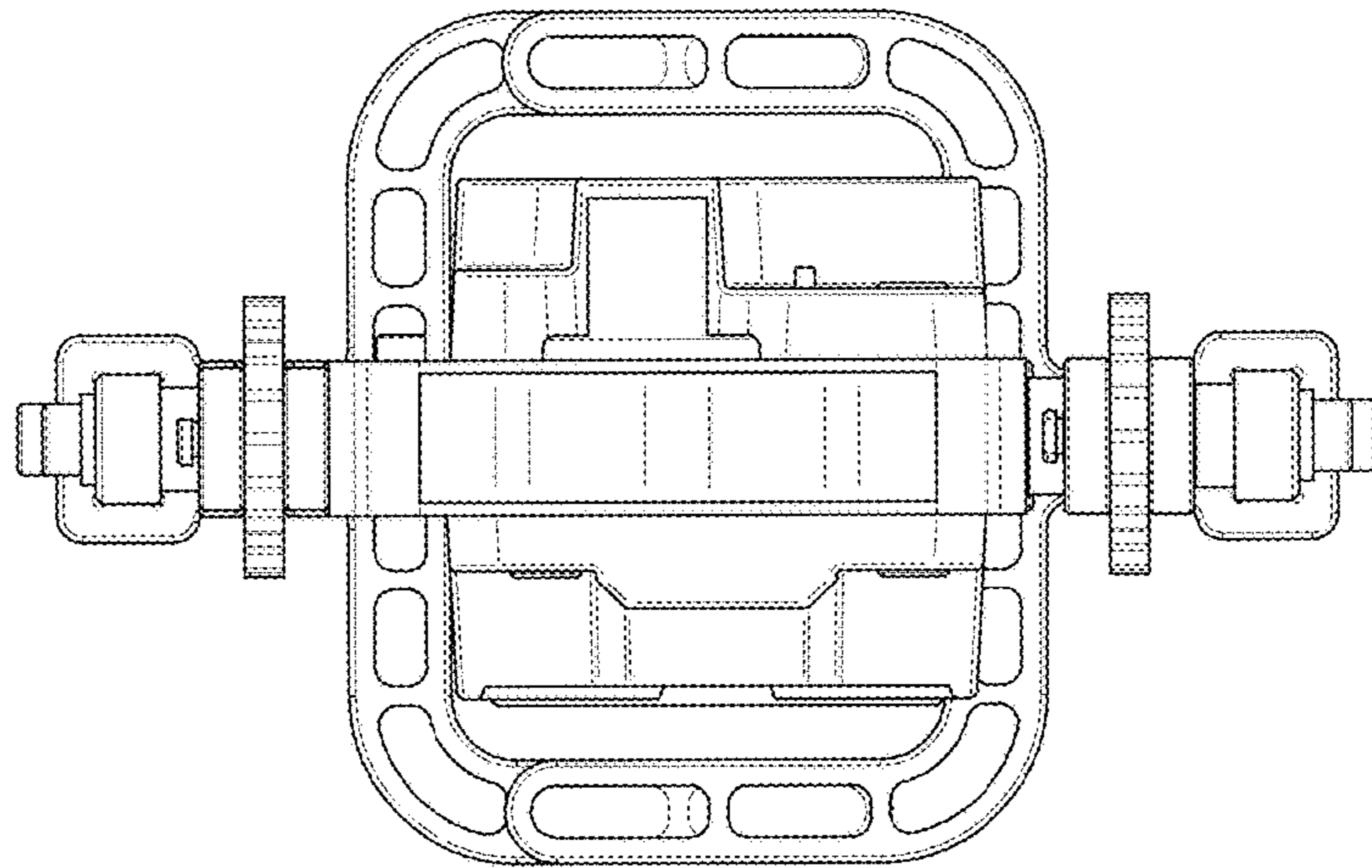


FIG.6

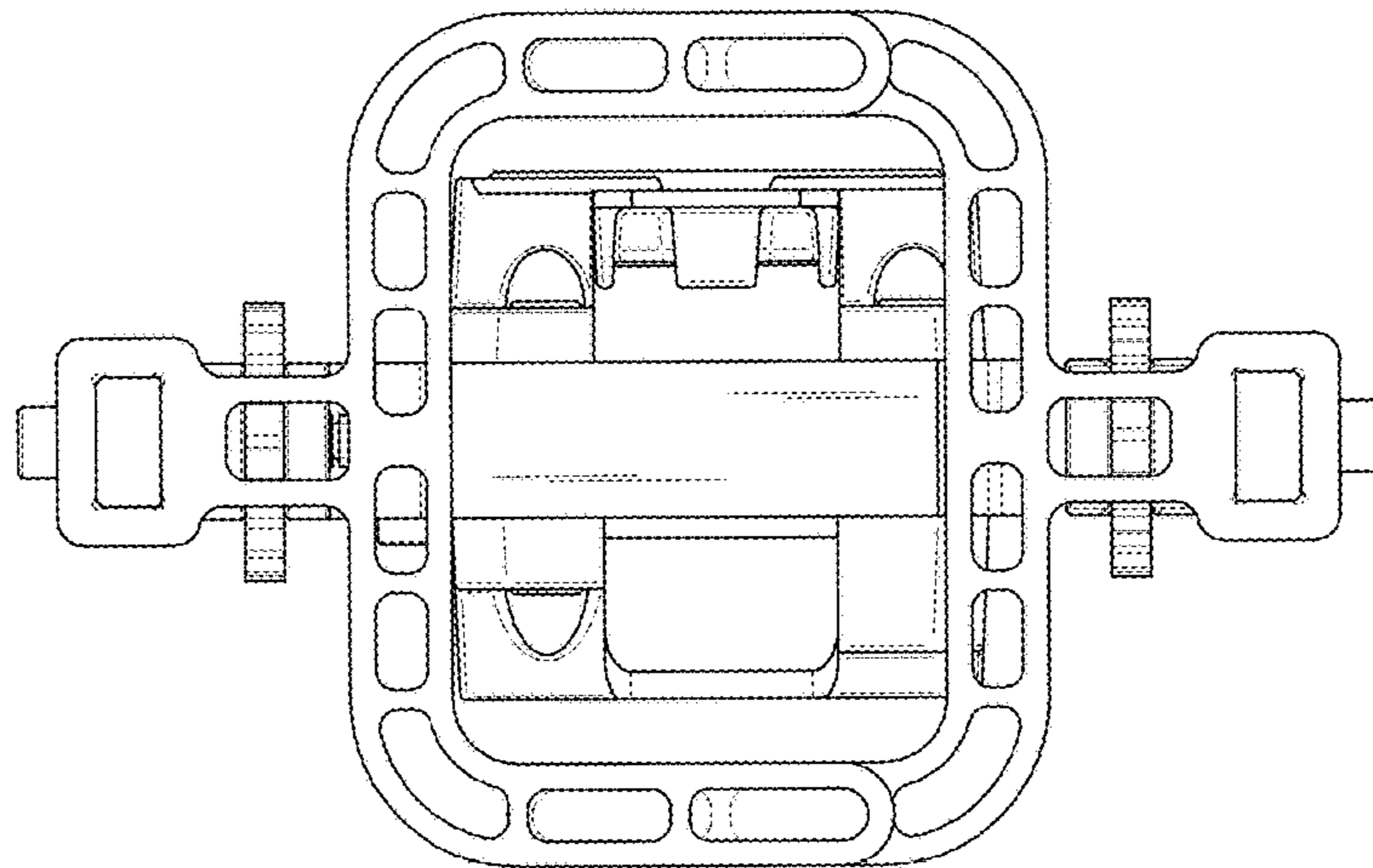


FIG.7

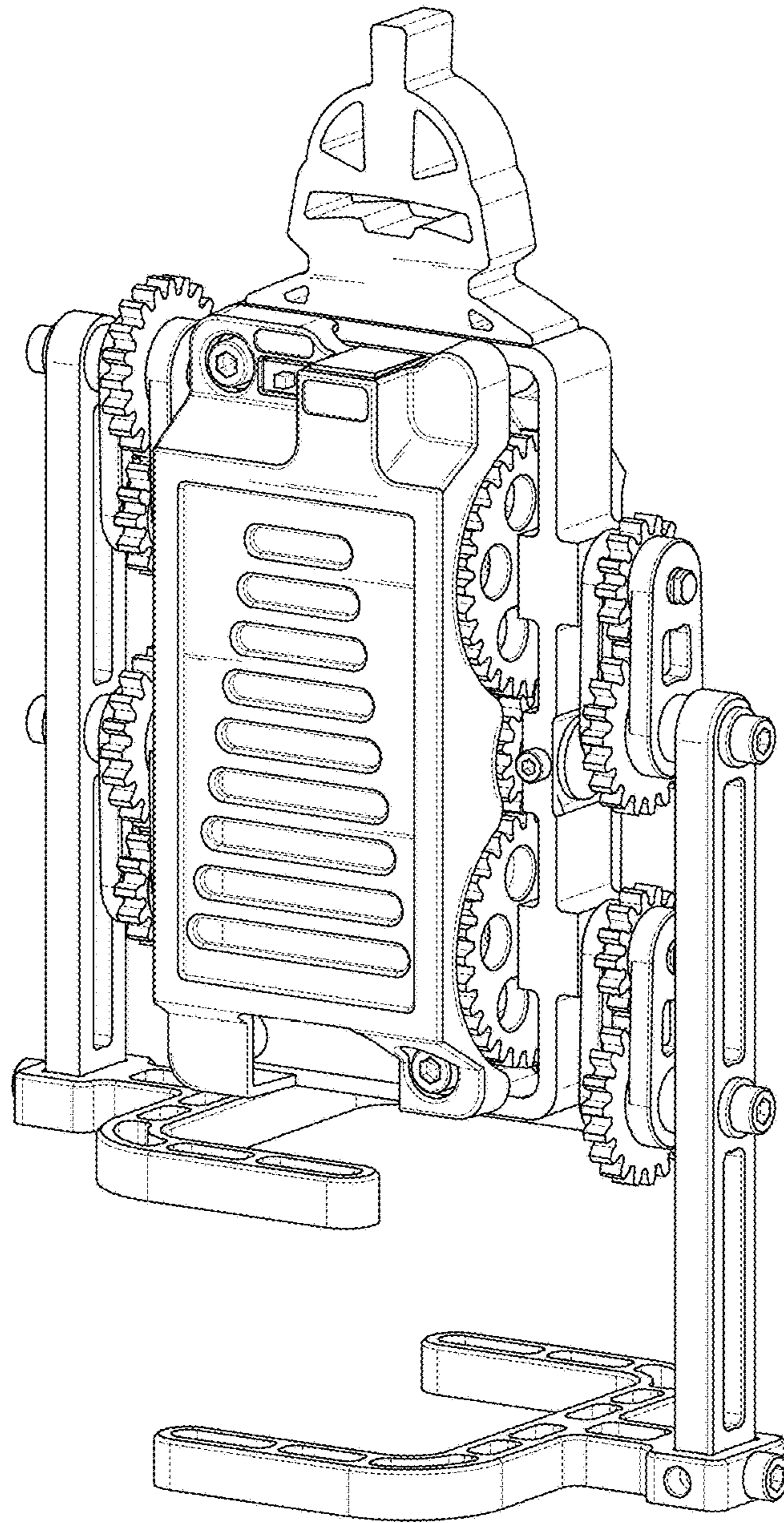


FIG.8