



US00D852284S

(12) **United States Design Patent**
Zhang et al.

(10) **Patent No.:** **US D852,284 S**
(45) **Date of Patent:** **** Jun. 25, 2019**

(54) **TOY BRICK**

(71) Applicant: **Shanghai Putao Technology Co., Ltd.**,
Shanghai (CN)

(72) Inventors: **Xiang Zhang**, Shanghai (CN); **Di Peng**,
Shanghai (CN); **Zhaolong Li**, Shanghai
(CN); **Shaohua Zhang**, Shanghai (CN);
Benchao Xiao, Shanghai (CN)

(73) Assignee: **Shanghai Putao Technology Co., Ltd.**,
Shanghai (CN)

(**) Term: **15 Years**

(21) Appl. No.: **29/621,272**

(22) Filed: **Oct. 6, 2017**

(30) **Foreign Application Priority Data**

Apr. 10, 2017 (CN) 2017 3 0114401

(51) **LOC (11) Cl.** **21-01**

(52) **U.S. Cl.**
USPC **D21/491; D21/500**

(58) **Field of Classification Search**
USPC D21/468, 470, 471, 478, 479, 484-505;
D25/113, 114, 115, 118
CPC A63H 33/04; A63H 33/044; A63H 33/06;
A63H 33/062; A63H 33/10; A63H
33/101; A63H 33/108
See application file for complete search history.

(56) **References Cited**

U.S. PATENT DOCUMENTS

D285,583 S * 9/1986 Kassai D21/491
D285,813 S * 9/1986 Takahashi D21/501

D344,302 S * 2/1994 Plagborg D21/491
D368,497 S * 4/1996 Schmidt D21/501
D370,035 S * 5/1996 Olsen D21/491
D377,671 S * 1/1997 Gabriel D21/500
D378,837 S * 4/1997 Olsen D21/500
D389,408 S * 1/1998 Rask D21/491
D445,148 S * 7/2001 McIntosh D21/500
D609,282 S * 2/2010 Julich D21/501
D652,087 S * 1/2012 Dawes D21/489
D705,874 S * 5/2014 Norman D21/491
D712,489 S * 9/2014 Norman D21/486
D749,680 S * 2/2016 Lin D21/499
D777,264 S * 1/2017 Marcil D21/491
D777,265 S * 1/2017 Marcil D21/491
D791,885 S * 7/2017 Rosan D21/500

* cited by examiner

Primary Examiner — Cynthia M. Chin

(74) *Attorney, Agent, or Firm* — Finnegan, Henderson,
Farabow, Garrett & Dunner, LLP

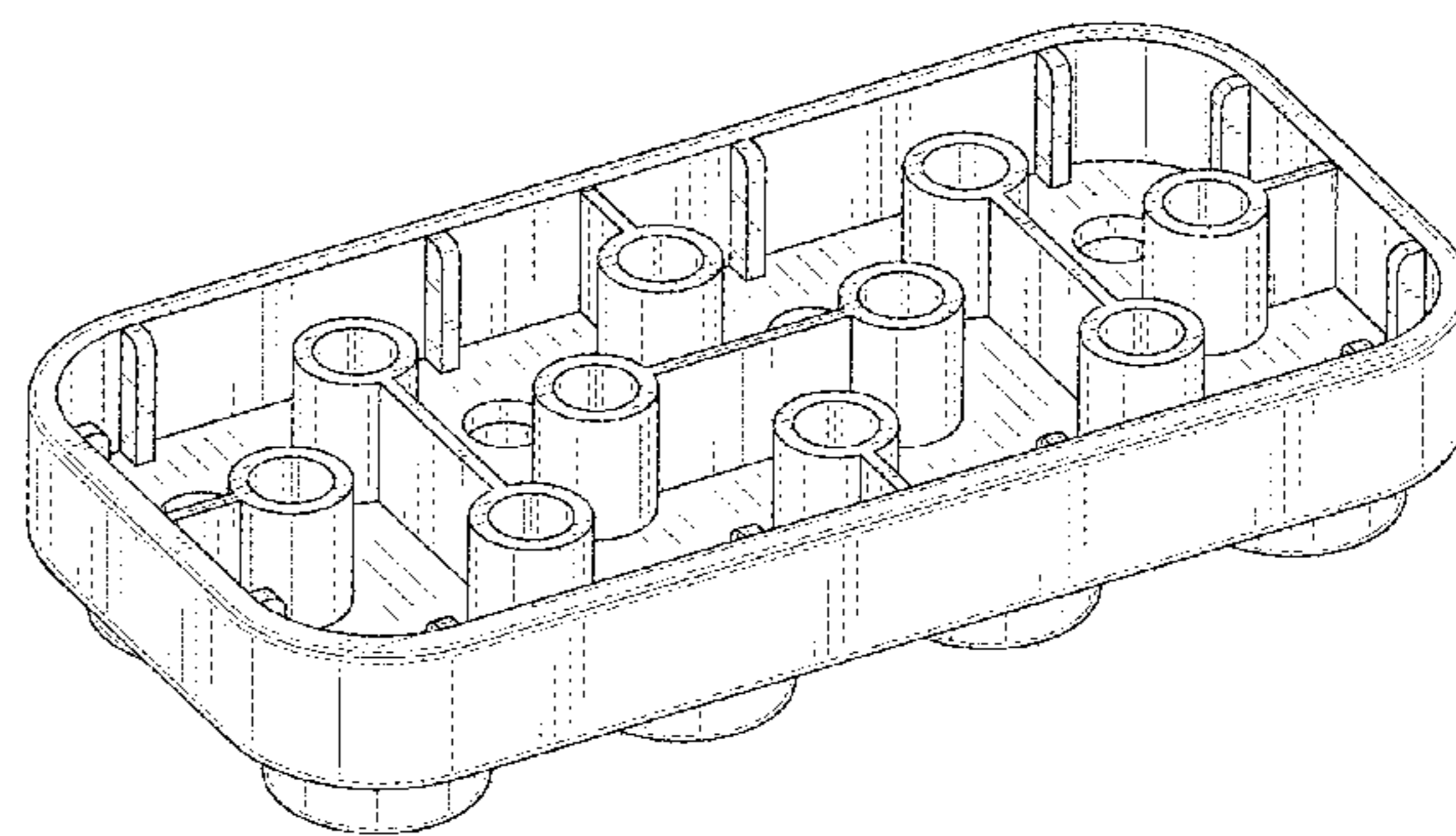
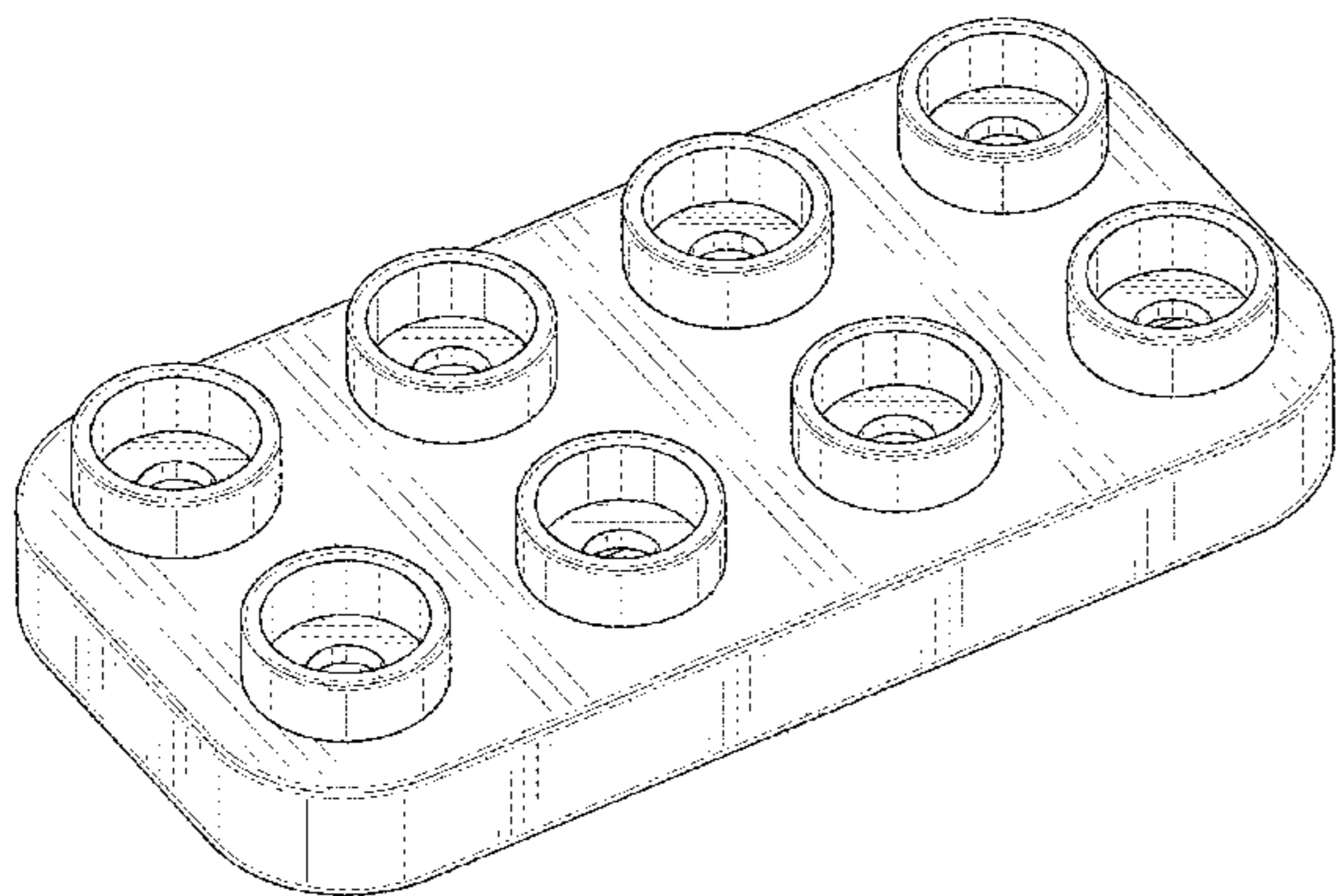
(57) **CLAIM**

The ornamental design for a toy brick, as shown and
described.

DESCRIPTION

FIG. 1 is a top, front, right perspective view of a toy brick,
showing our new design;
FIG. 2 is a bottom, front, left perspective view thereof;
FIG. 3 a front elevation view thereof;
FIG. 4 is a rear elevation view thereof;
FIG. 5 is left side elevation view thereof;
FIG. 6 is right side elevation view thereof;
FIG. 7 is a top plan view thereof; and,
FIG. 8 is a bottom plan view thereof.

1 Claim, 8 Drawing Sheets



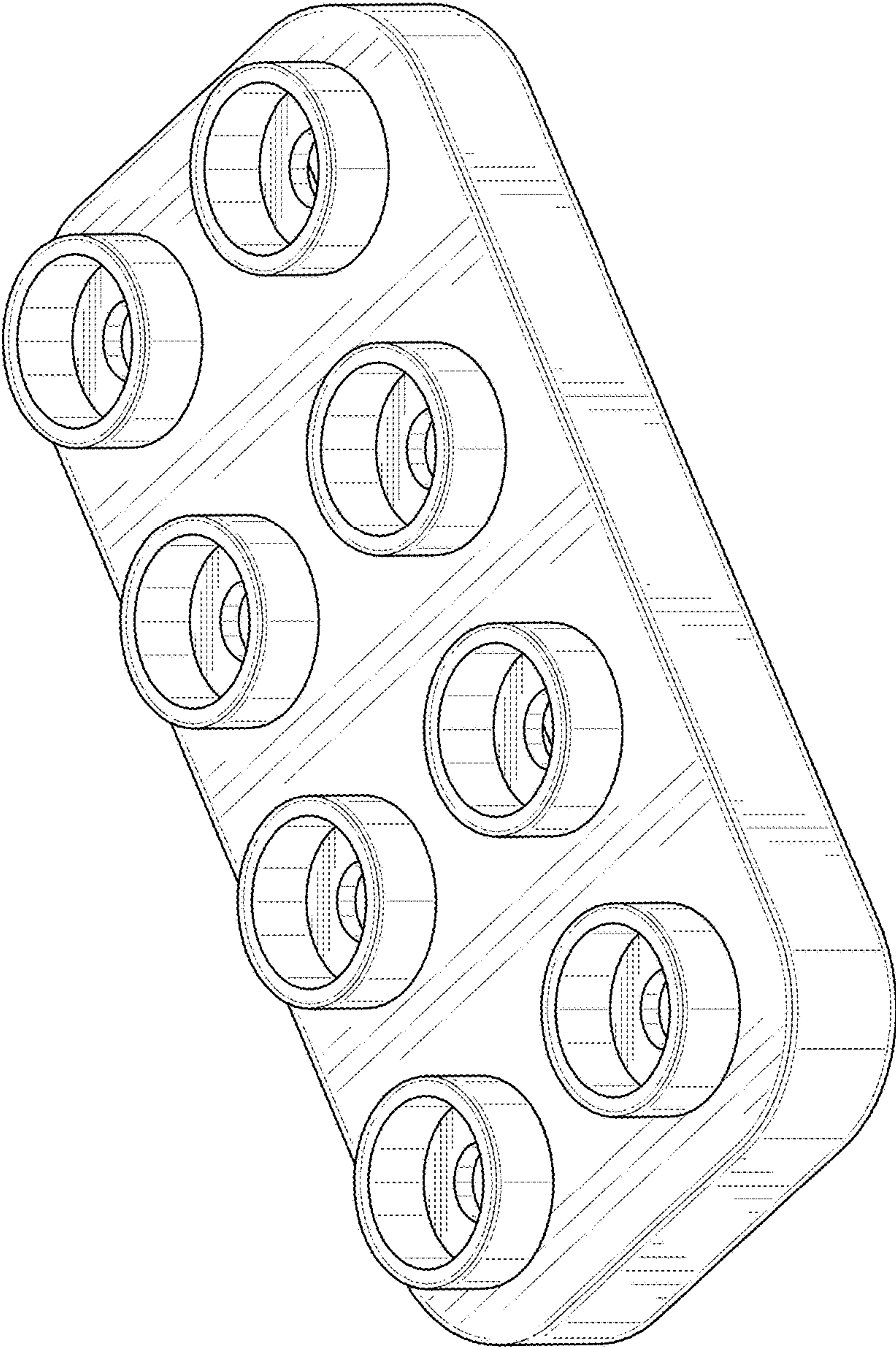


FIG. 1

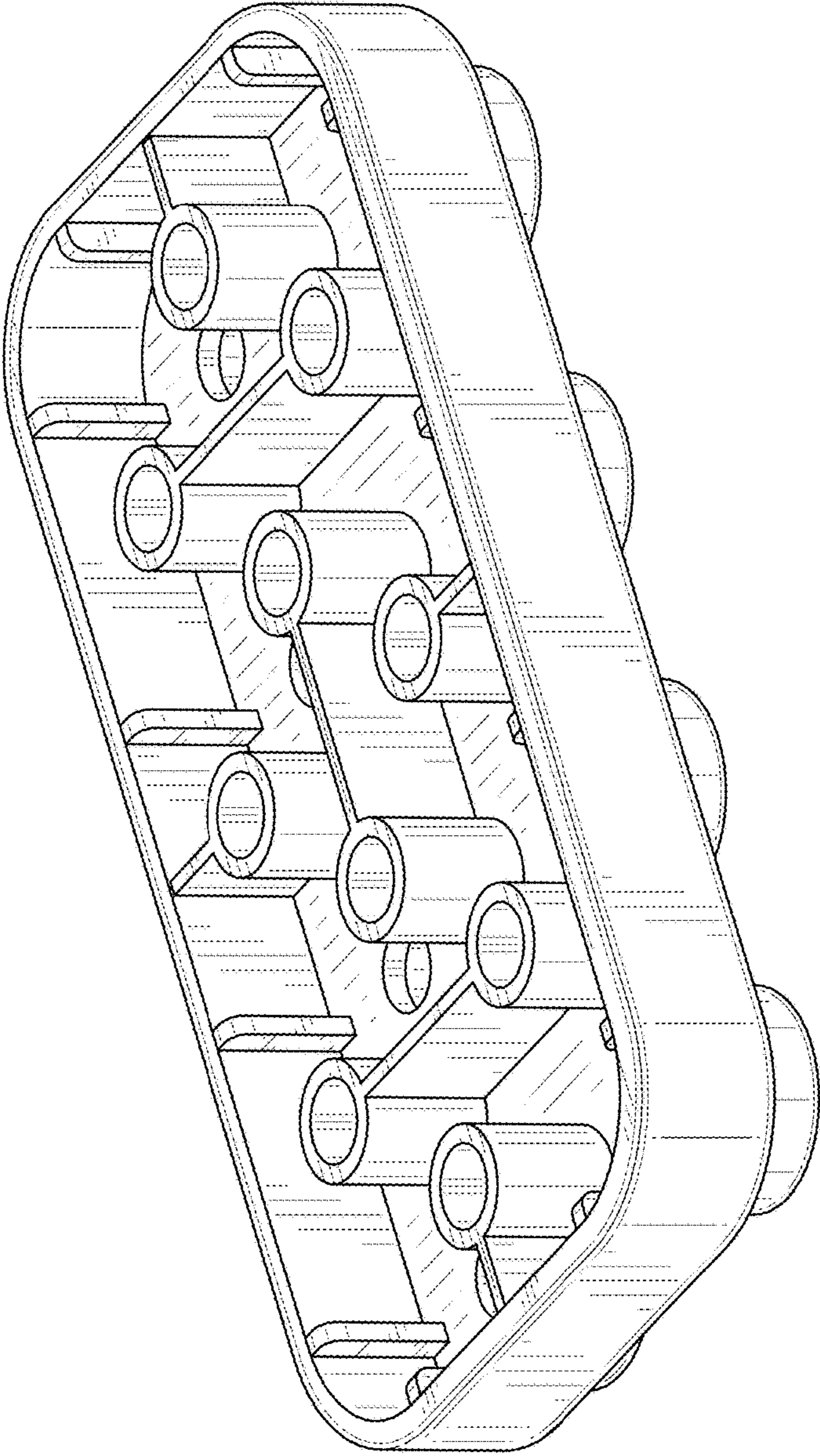


FIG. 2

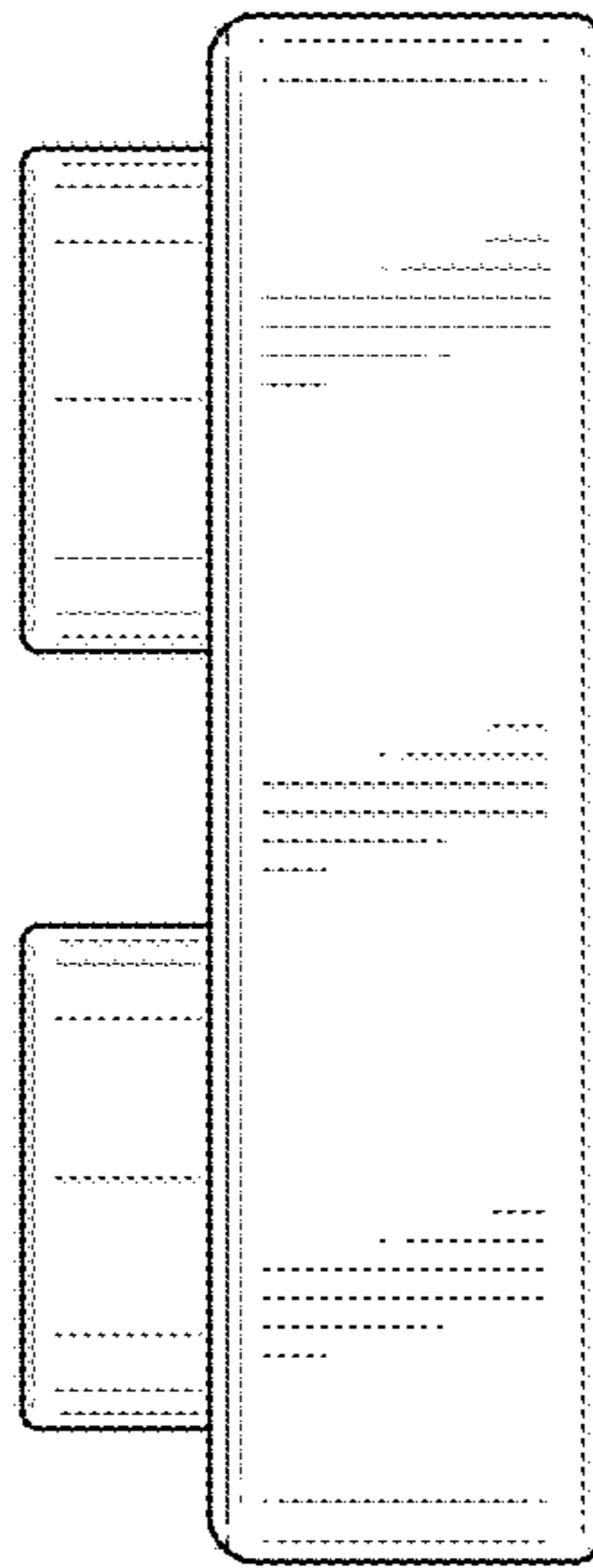


FIG. 3

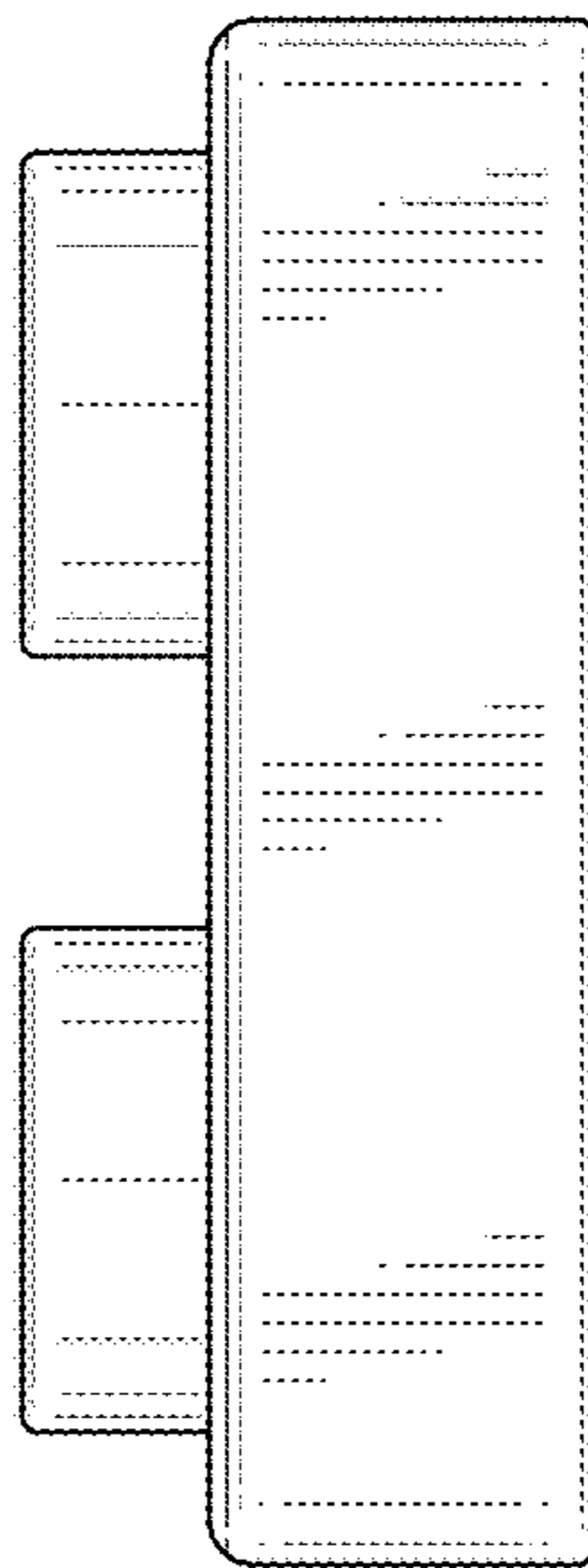


FIG. 4

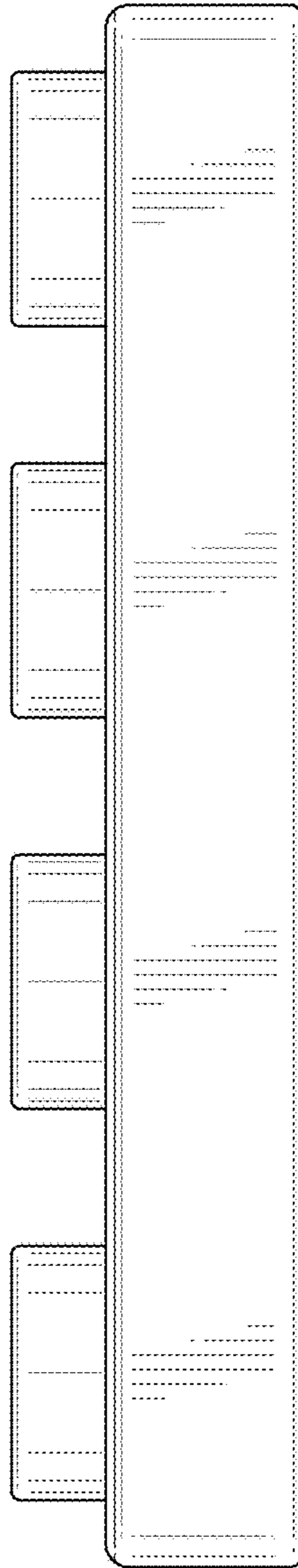


FIG. 5

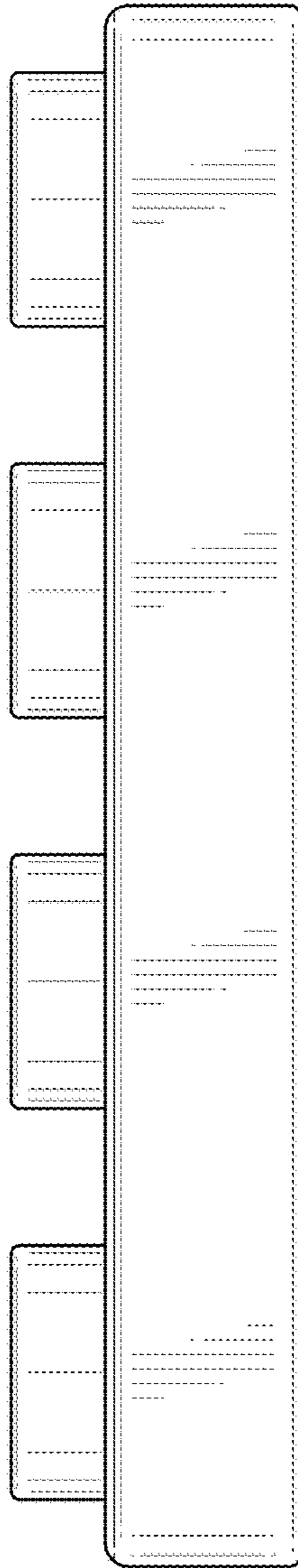


FIG. 6

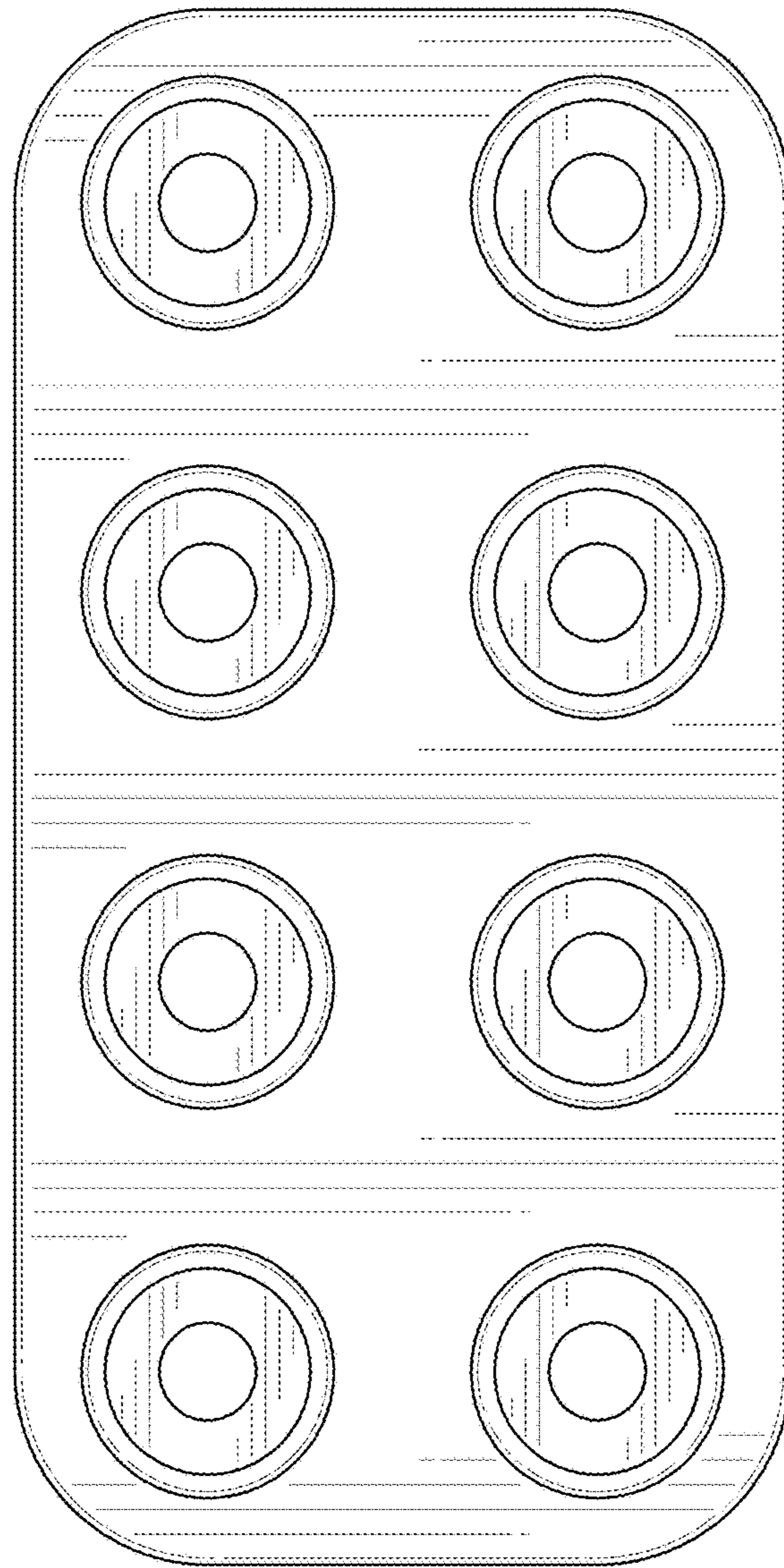


FIG. 7

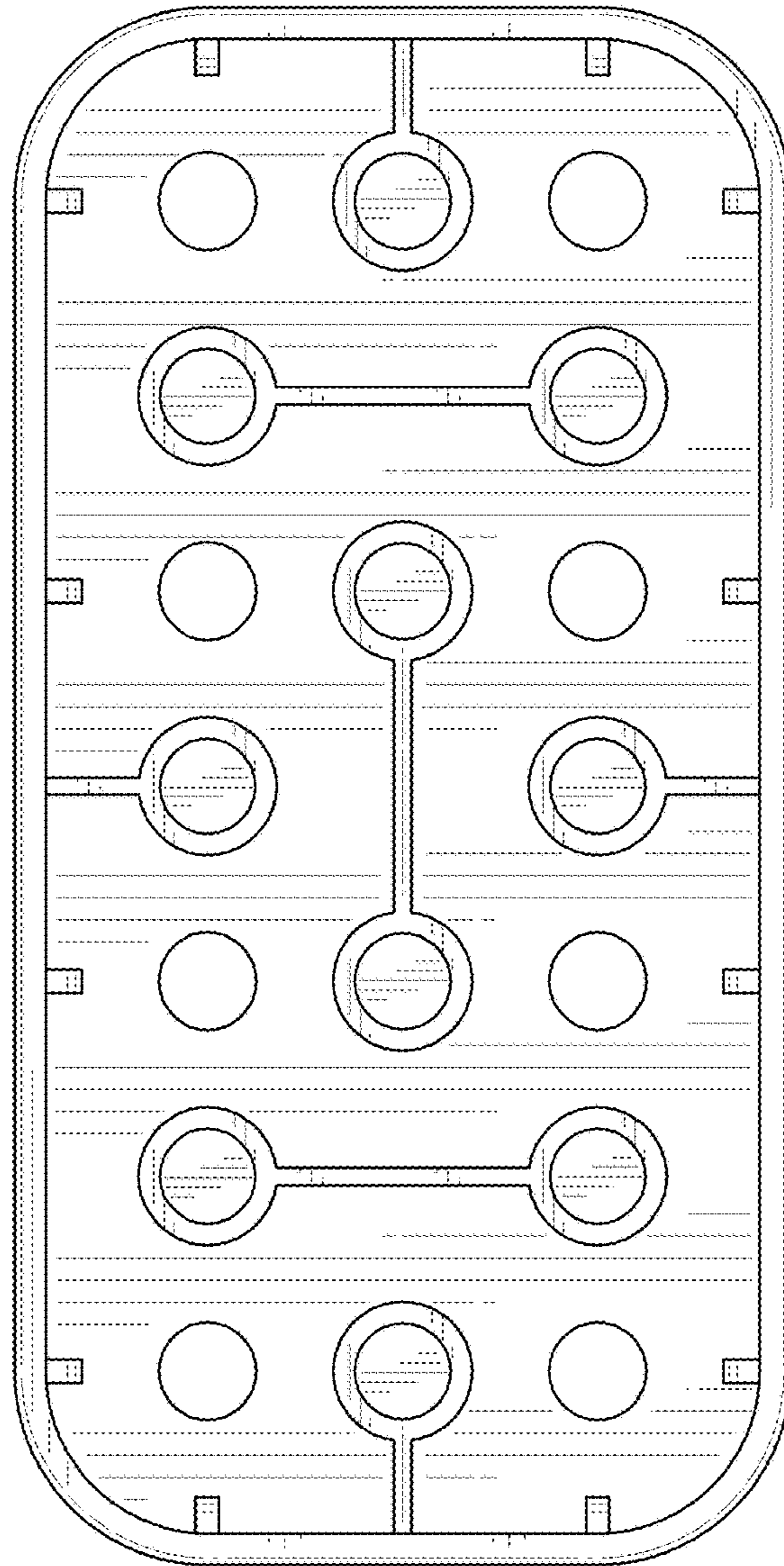


FIG. 8

UNITED STATES PATENT AND TRADEMARK OFFICE
CERTIFICATE OF CORRECTION

PATENT NO. : D852,284 S
APPLICATION NO. : 29/621272
DATED : June 25, 2019
INVENTOR(S) : Xiang Zhang

Page 1 of 1

It is certified that error appears in the above-identified patent and that said Letters Patent is hereby corrected as shown below:

On the Title Page

Column 1, item (30):

“Foreign Application Priority Data


Apr. 10, 2017 (CN)2017 3 0114401”

Should read:

-- Foreign Application Priority Data

Apr. 10, 2017 (CN)201730114401.4 --.

Signed and Sealed this
Seventeenth Day of September, 2019



Andrei Iancu
Director of the United States Patent and Trademark Office