



US00D852282S

(12) **United States Design Patent**
Hama

(10) **Patent No.:** **US D852,282 S**
(45) **Date of Patent:** **** Jun. 25, 2019**

- (54) **ACCESSORY FOR SPINNING TOP TOY**
- (71) Applicant: **TOMY COMPANY, LTD.**, Tokyo (JP)
- (72) Inventor: **Hiroyuki Hama**, Tokyo (JP)
- (73) Assignee: **TOMY COMPANY, LTD.**, Tokyo (JP)
- (**) Term: **15 Years**
- (21) Appl. No.: **29/645,353**
- (22) Filed: **Apr. 25, 2018**

D825,671 S *	8/2018	Horikoshi	D21/460
D827,043 S *	8/2018	Muraki	D21/460
D835,209 S *	12/2018	Hashiba	D21/460
D835,724 S *	12/2018	Muraki	D21/460
D837,899 S *	1/2019	Narita	D21/460

FOREIGN PATENT DOCUMENTS

CN	3390848	*	9/2004	
CN	301301583	*	8/2010	
DE	419469 C	*	10/1925 A63F 9/16
JP	3464193 B2	*	11/2003 A63H 1/00
JP	D1441162	*	5/2012	
JP	5969151 B1	*	8/2016 A63H 1/06
JP	6184576 B1	*	8/2017 A63H 1/02

* cited by examiner

Primary Examiner — Catherine A Tuttle
(74) *Attorney, Agent, or Firm* — Oliff PLC

(57) **CLAIM**

The ornamental design for an accessory for spinning top toy, as shown and described.

DESCRIPTION

FIG. 1 is a front elevational view of the accessory for spinning top toy;
 FIG. 2 is a left-side elevational view thereof;
 FIG. 3 is a rear elevational view thereof;
 FIG. 4 is a right-side elevational view thereof;
 FIG. 5 is a top plan view thereof;
 FIG. 6 is a bottom plan view thereof;
 FIG. 7 is a front, top, right-side perspective view thereof;
 and,
 FIG. 8 is a bottom, rear, left-side perspective view thereof.

1 Claim, 8 Drawing Sheets

(30) **Foreign Application Priority Data**

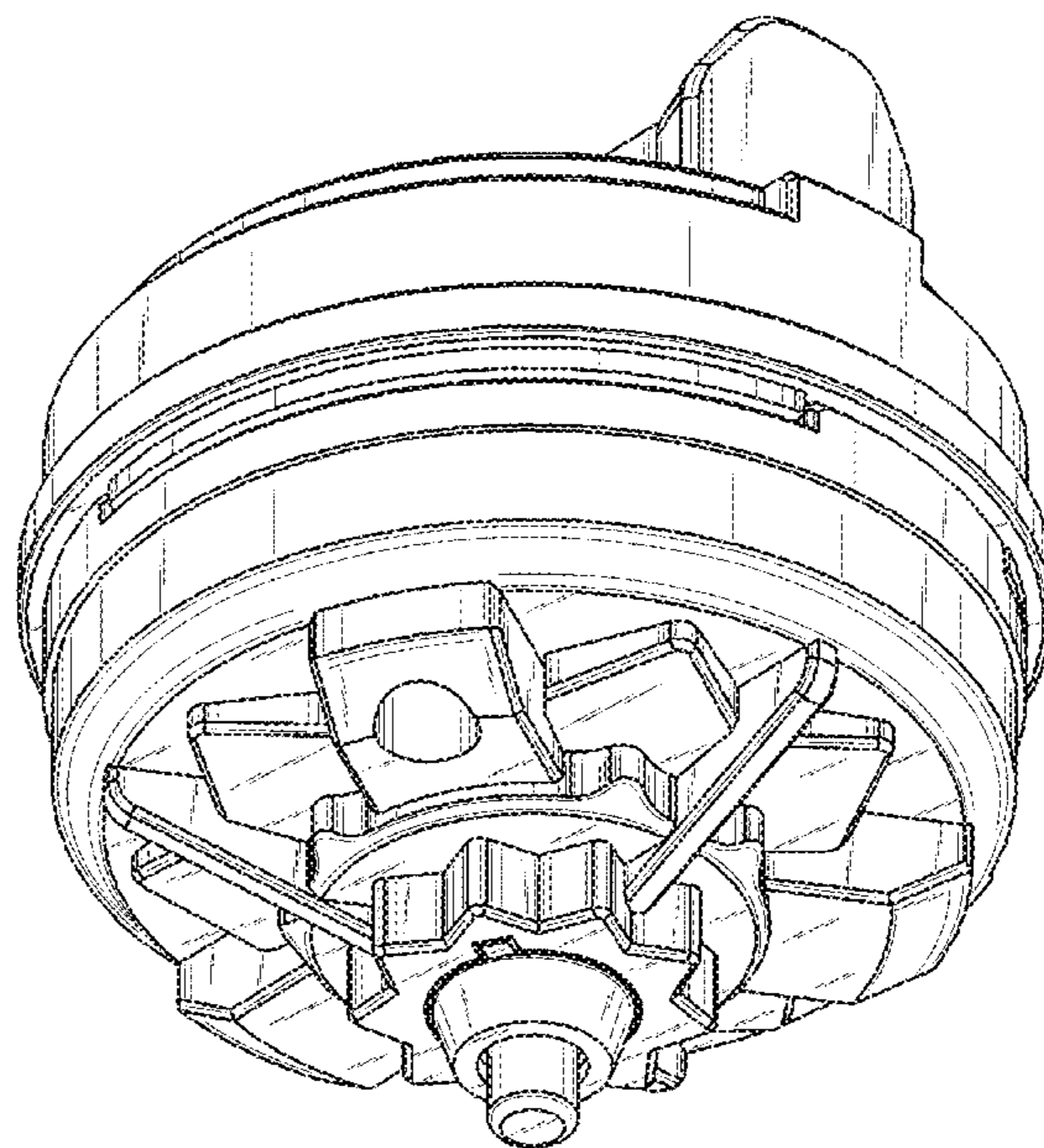
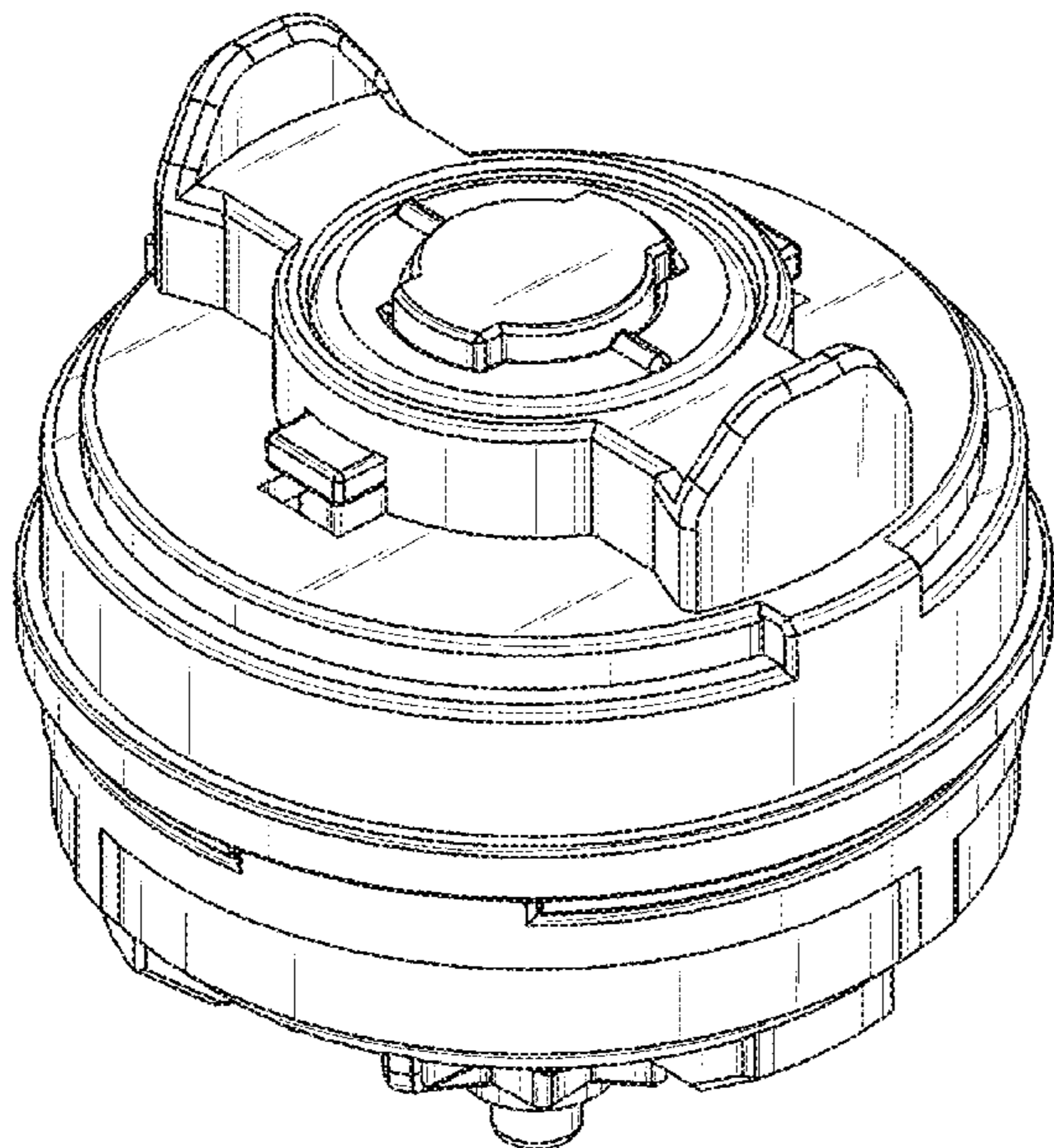
Dec. 25, 2017 (JP) 2017-028794

- (51) **LOC (11) Cl.** **21-01**
- (52) **U.S. Cl.**
USPC **D21/460**
- (58) **Field of Classification Search**
USPC D21/455-464; 446/236-266
CPC A63H 1/00-32; A63F 9/16
See application file for complete search history.

(56) **References Cited**

U.S. PATENT DOCUMENTS

791,080 A *	5/1905	Davenport	A63H 33/40
				446/217
896,628 A *	8/1908	Davenport	A63H 33/40
				446/217
D55,084 S *	5/1920	Sandstrom	D21/460
D629,051 S *	12/2010	Nishimoto	D21/460
D629,847 S *	12/2010	Ujita	D21/460
D639,869 S *	6/2011	Nishimoto	D21/460
D825,007 S *	8/2018	Muraki	D21/460



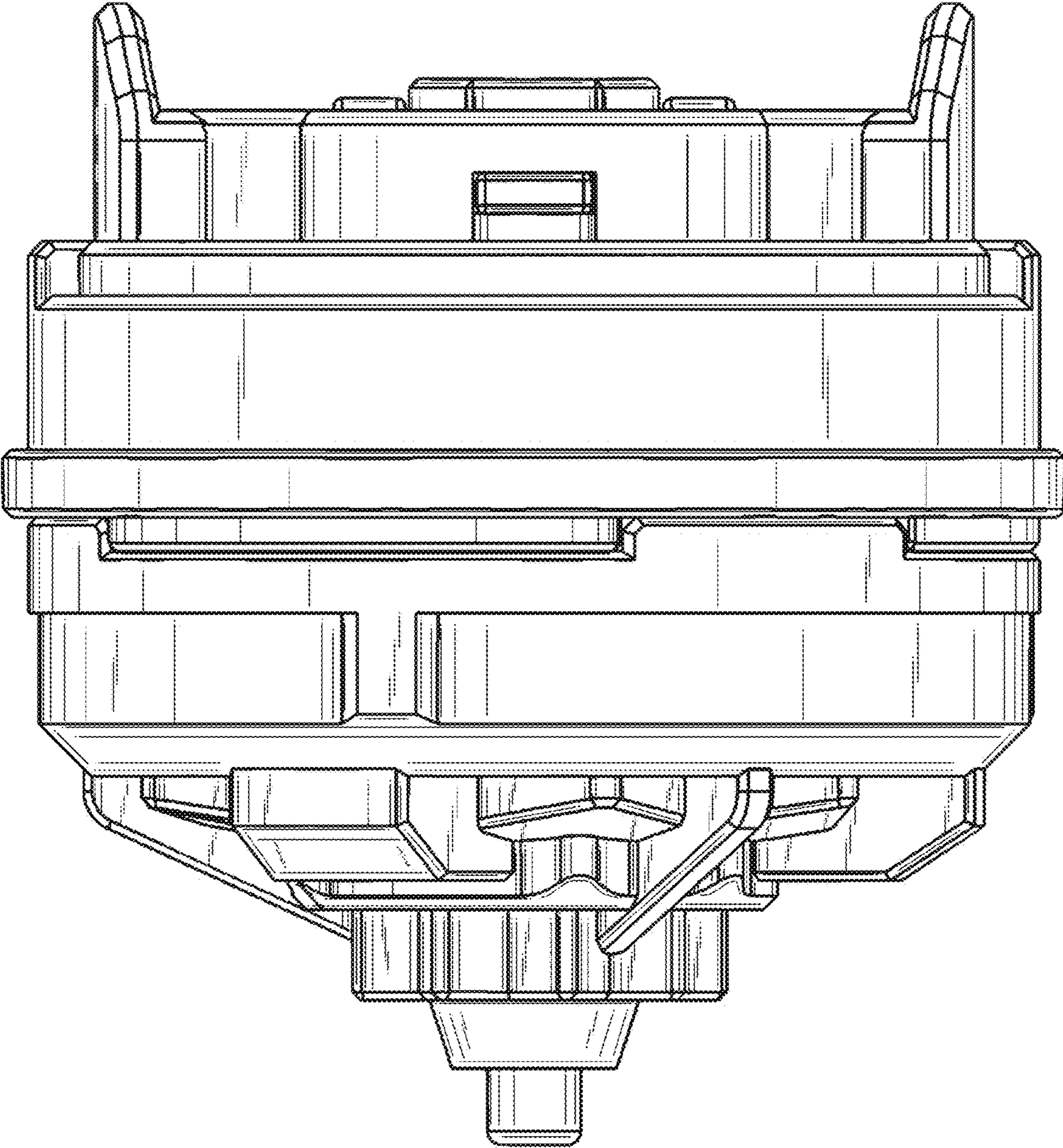


FIG. 1

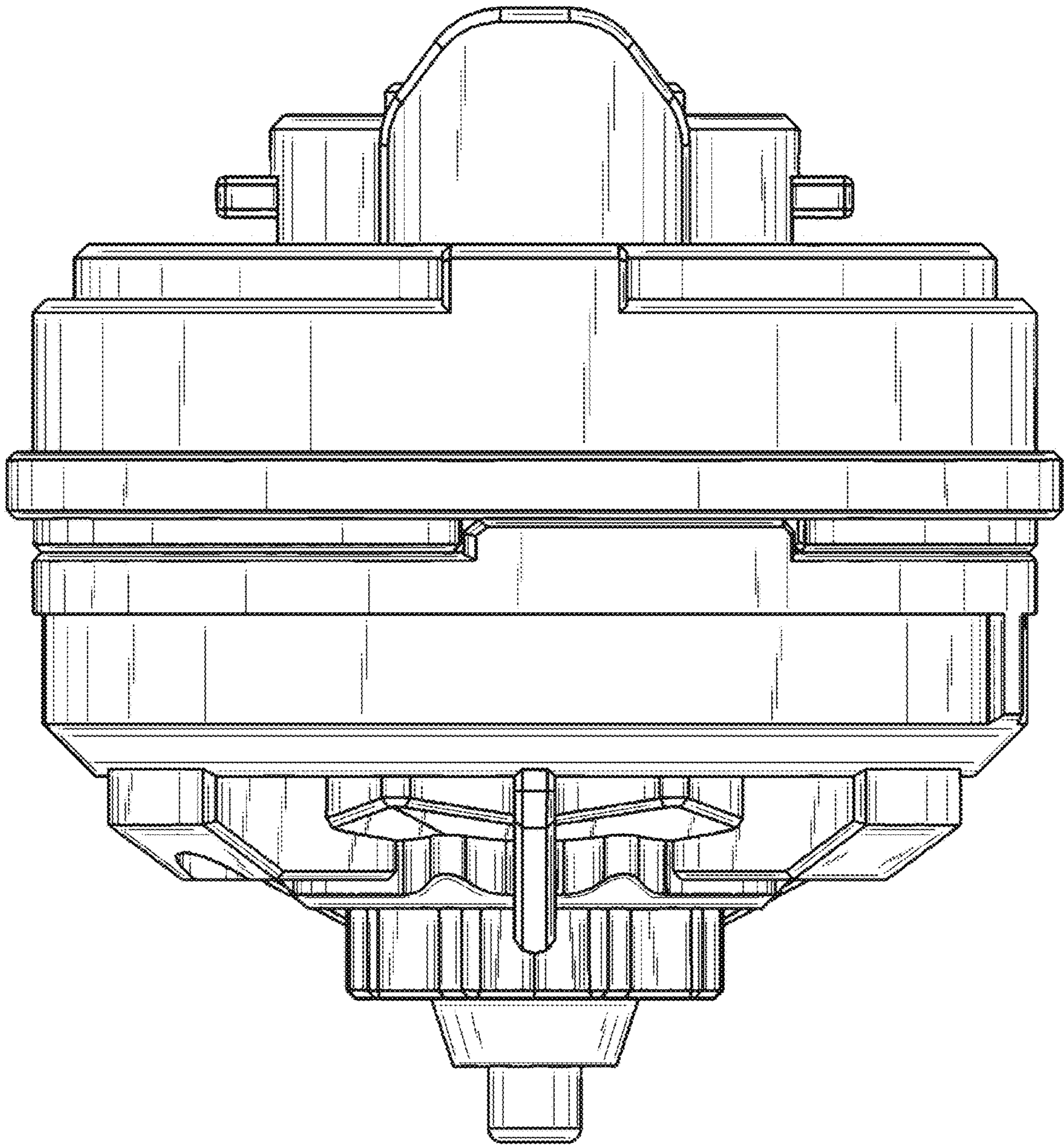


FIG. 2

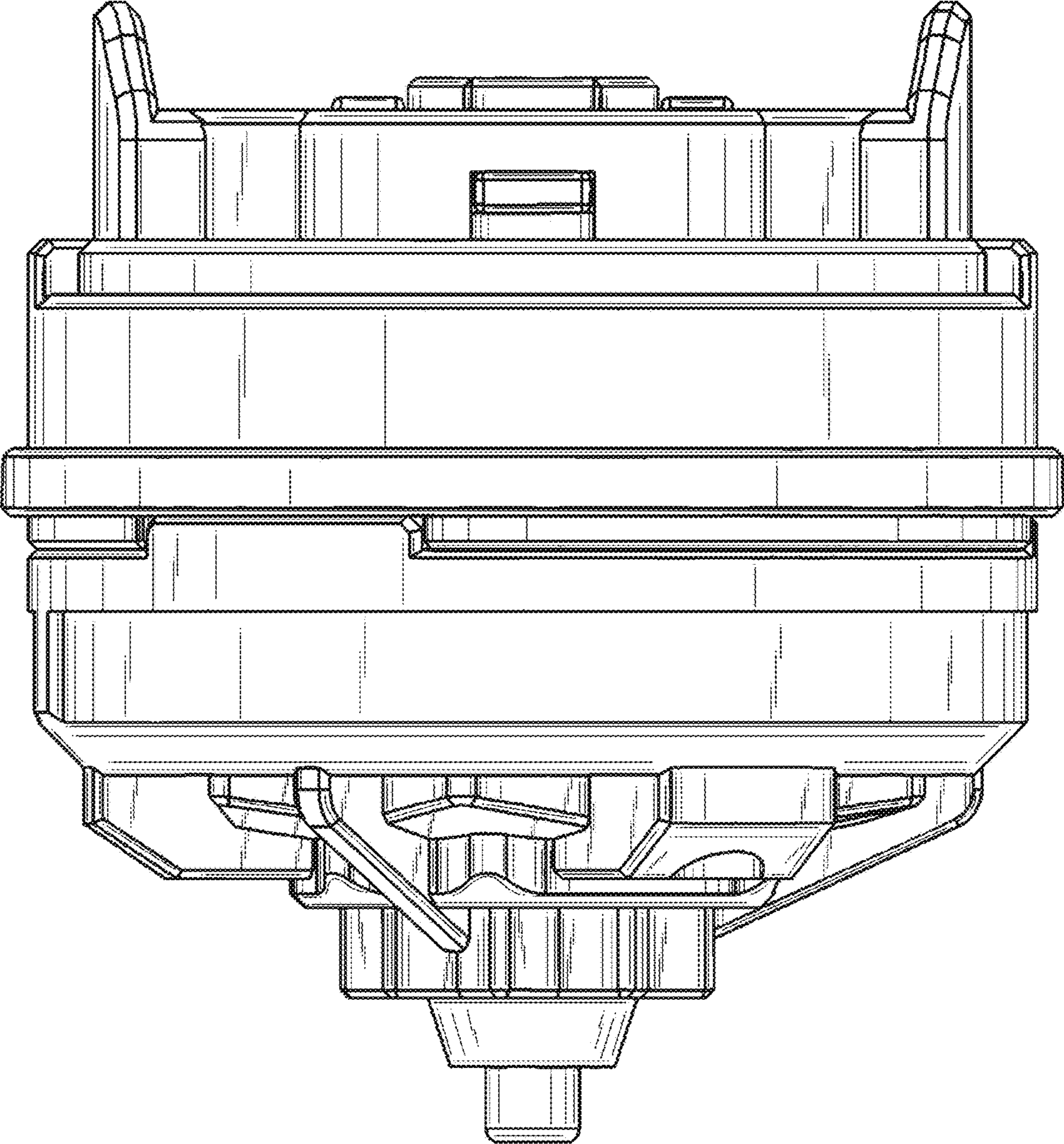


FIG. 3

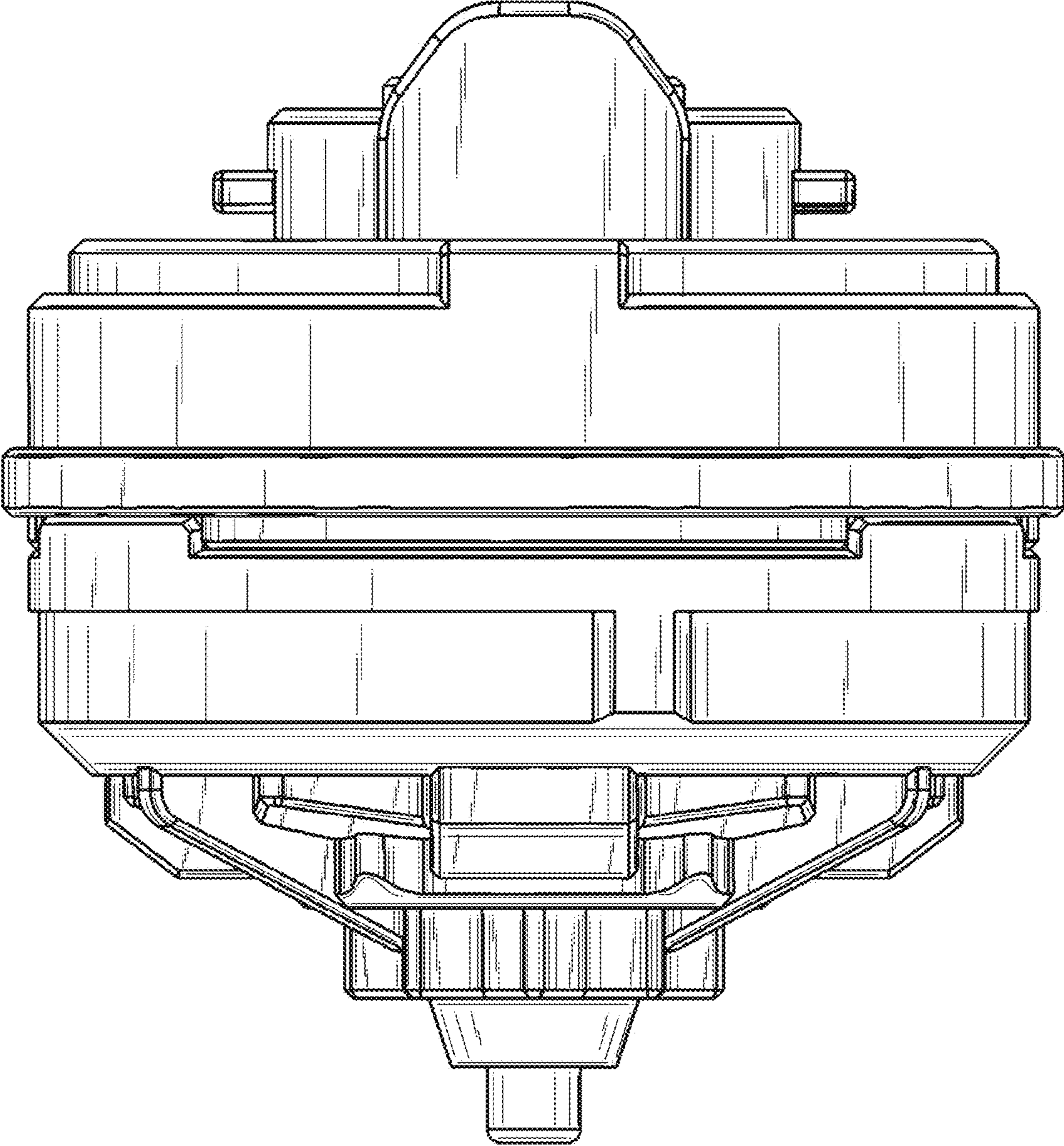


FIG. 4

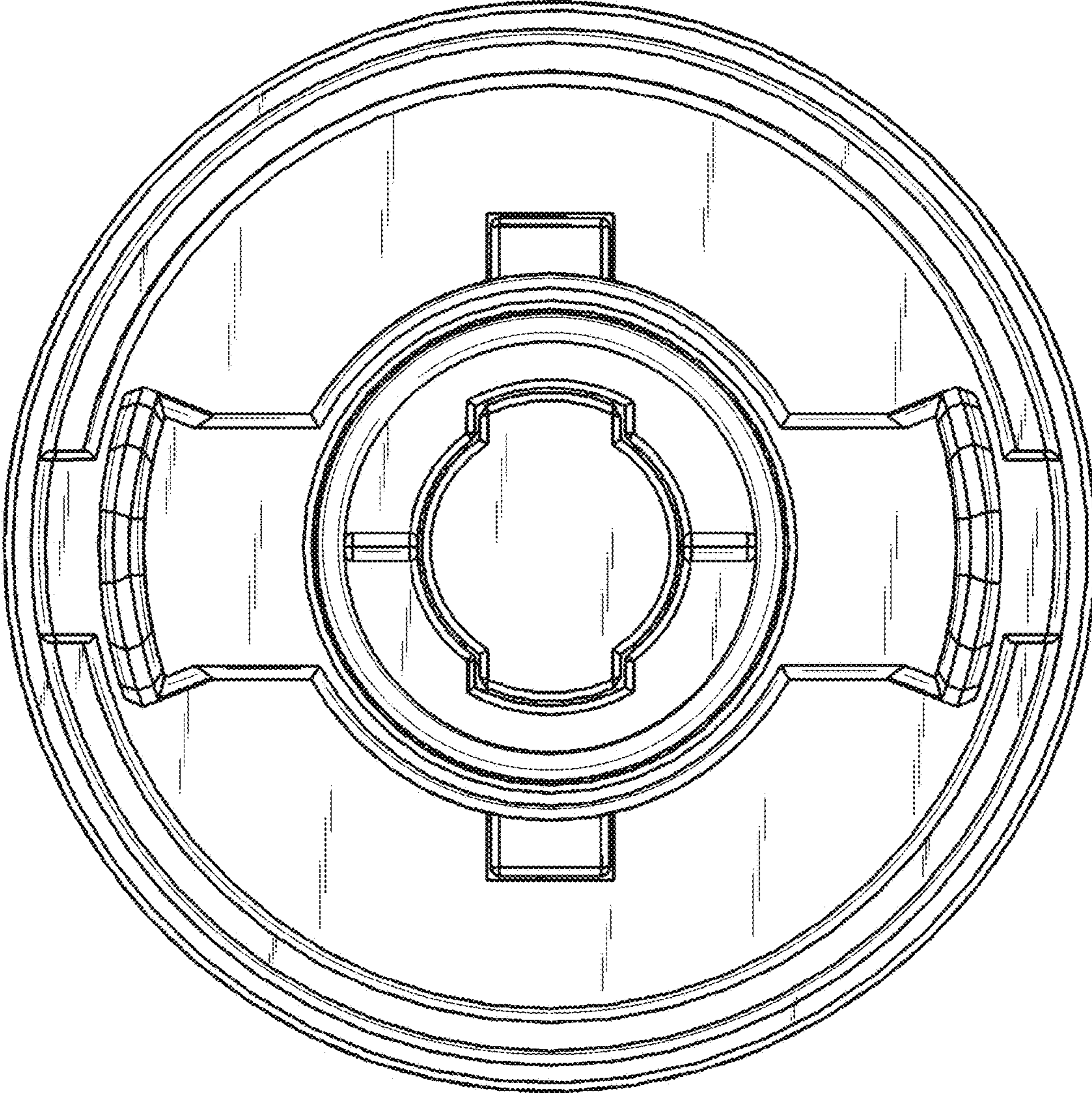


FIG. 5

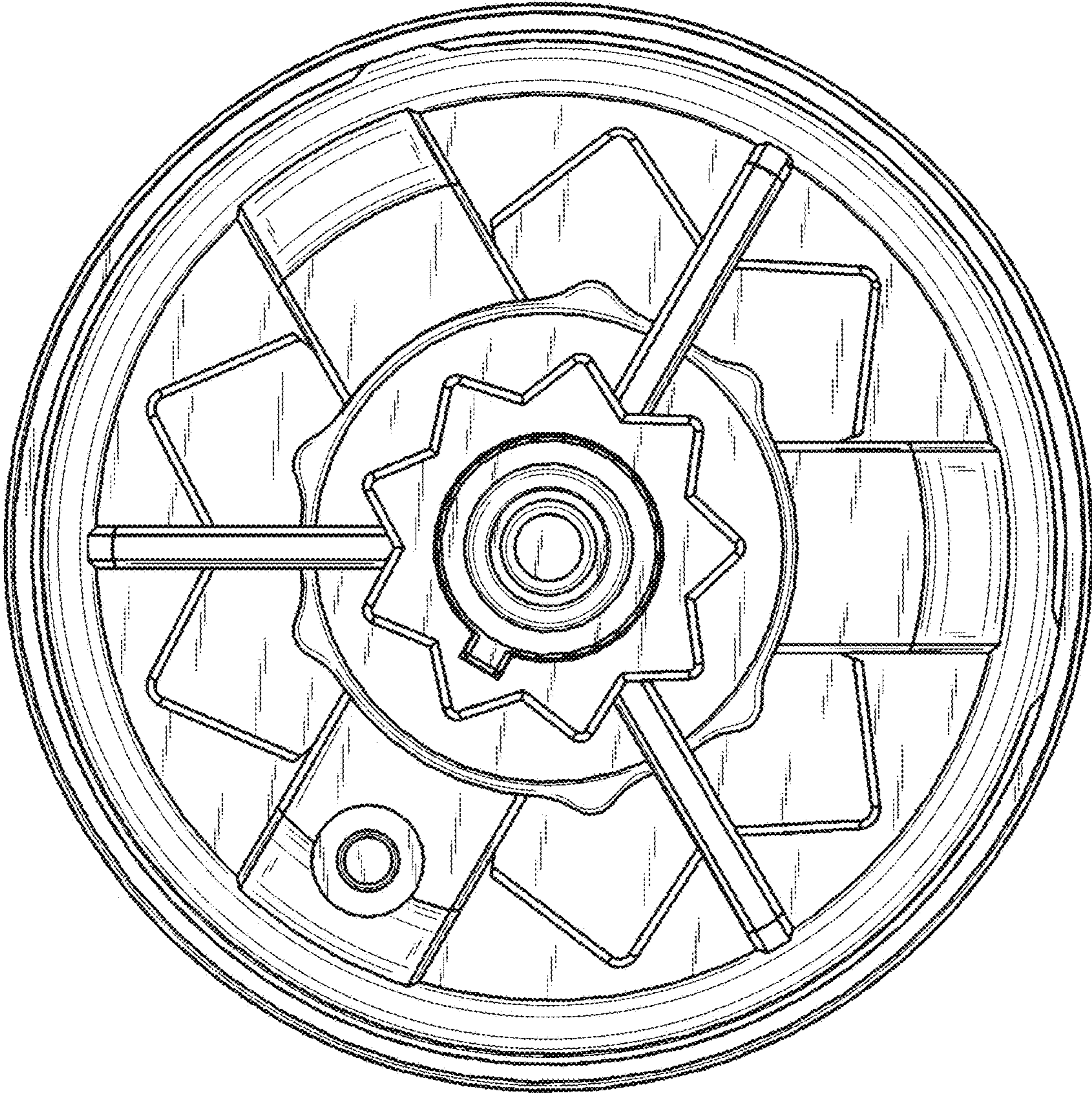


FIG. 6

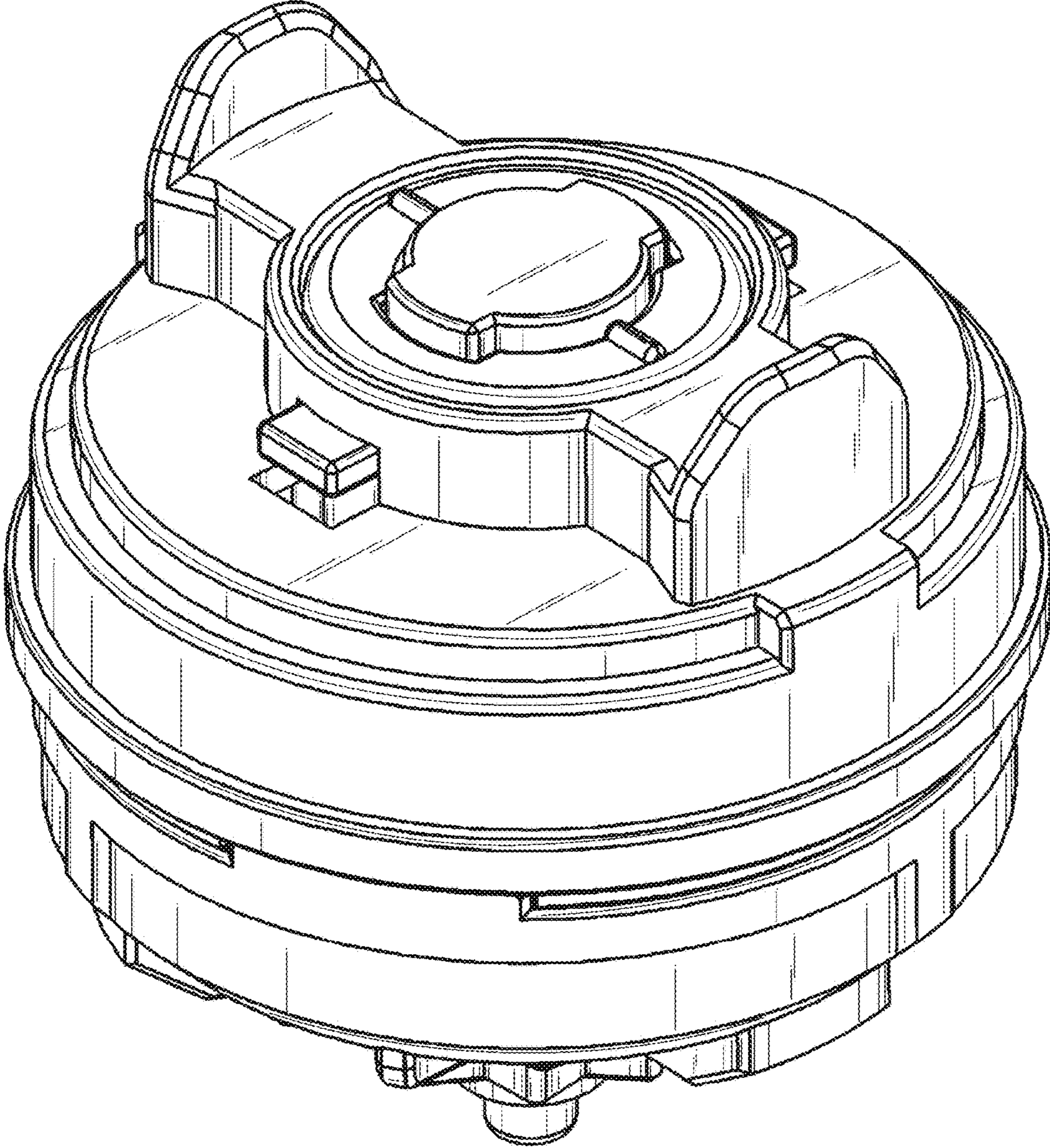


FIG. 7

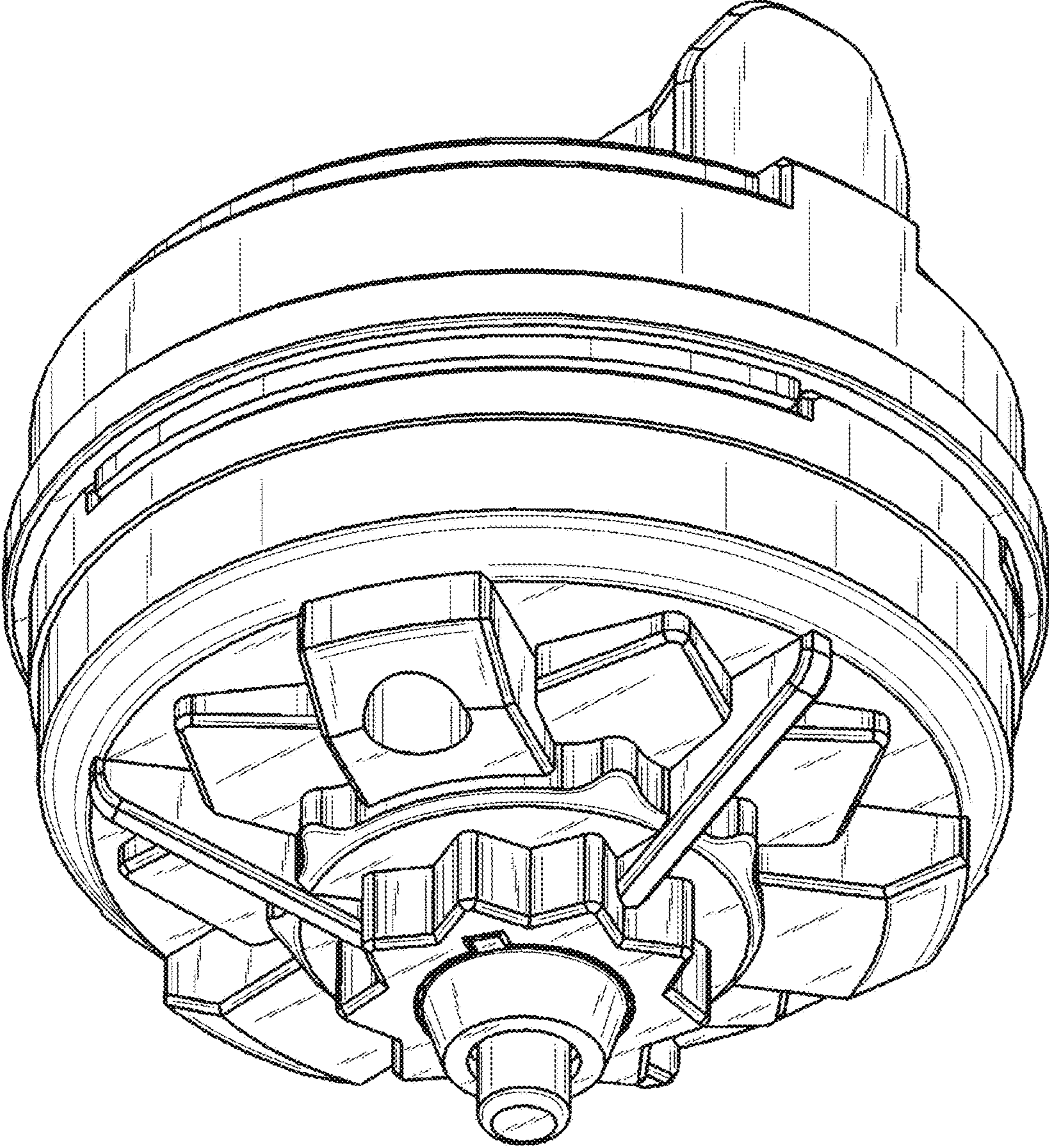


FIG. 8