



US00D852281S

(12) **United States Design Patent**
Horikoshi

(10) **Patent No.:** **US D852,281 S**

(45) **Date of Patent:** **** Jun. 25, 2019**

- (54) **ACCESSORY FOR SPINNING TOP TOY**
- (71) Applicant: **TOMY COMPANY, LTD.**, Tokyo (JP)
- (72) Inventor: **Kenji Horikoshi**, Tokyo (JP)
- (73) Assignee: **TOMY COMPANY, LTD.**, Tokyo (JP)
- (**) Term: **15 Years**
- (21) Appl. No.: **29/620,731**
- (22) Filed: **May 16, 2017**
- (30) **Foreign Application Priority Data**
 - Jan. 27, 2017 (JP) 2017-001420
- (51) **LOC (11) Cl.** **21-01**
- (52) **U.S. Cl.**
USPC **D21/460**
- (58) **Field of Classification Search**
USPC D21/455-464; 446/236-266
(Continued)

- (56) **References Cited**
 - U.S. PATENT DOCUMENTS**
 - D629,469 S * 12/2010 Nishimoto D21/460
 - D660,918 S * 5/2012 Ujita D21/460
 - (Continued)
 - FOREIGN PATENT DOCUMENTS**
 - CN 301877951 * 4/2012
 - CN 303863705 * 9/2016
 - (Continued)

Primary Examiner — Catherine A Tuttle
(74) *Attorney, Agent, or Firm* — Staas & Halsey LLP

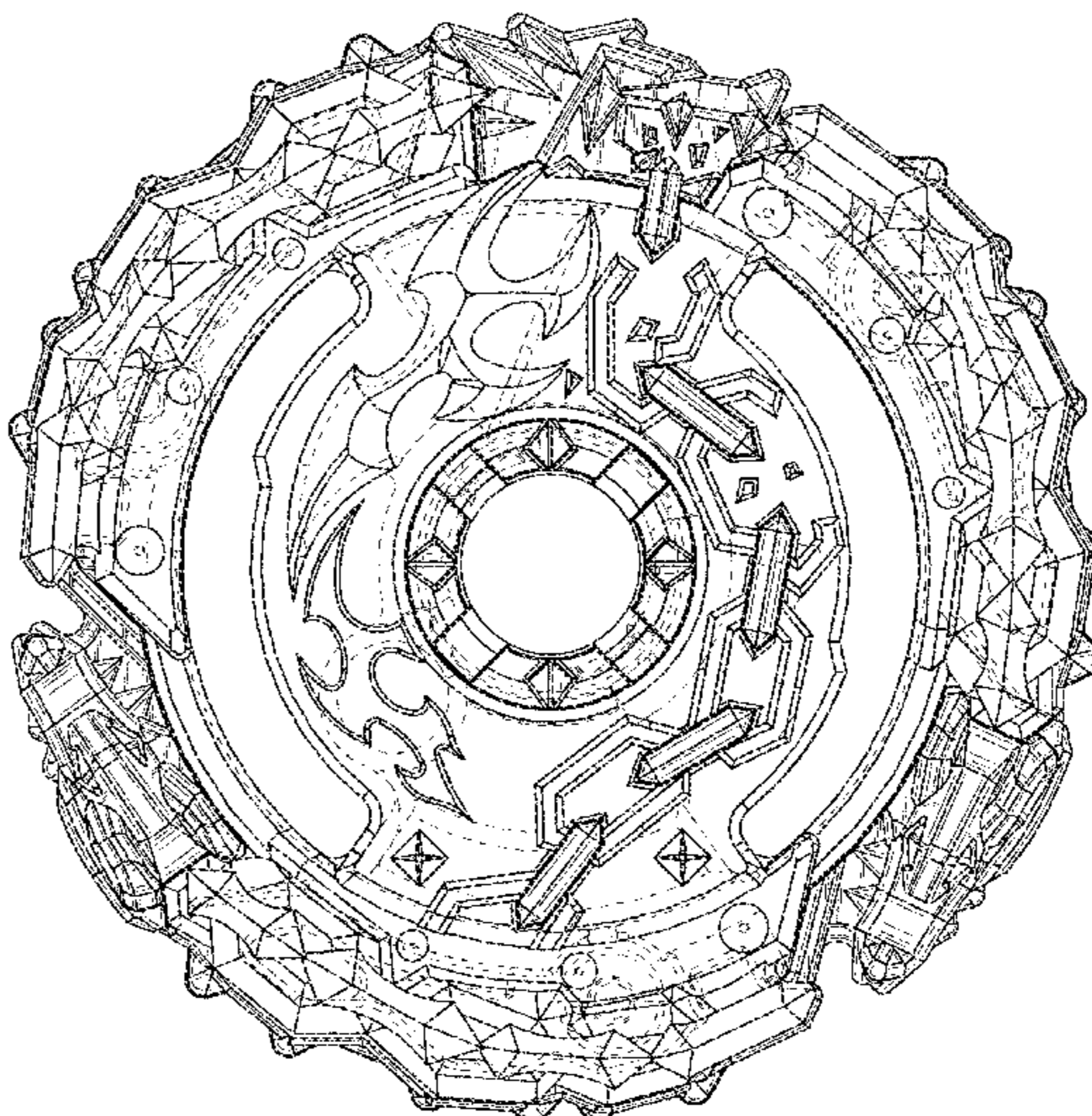
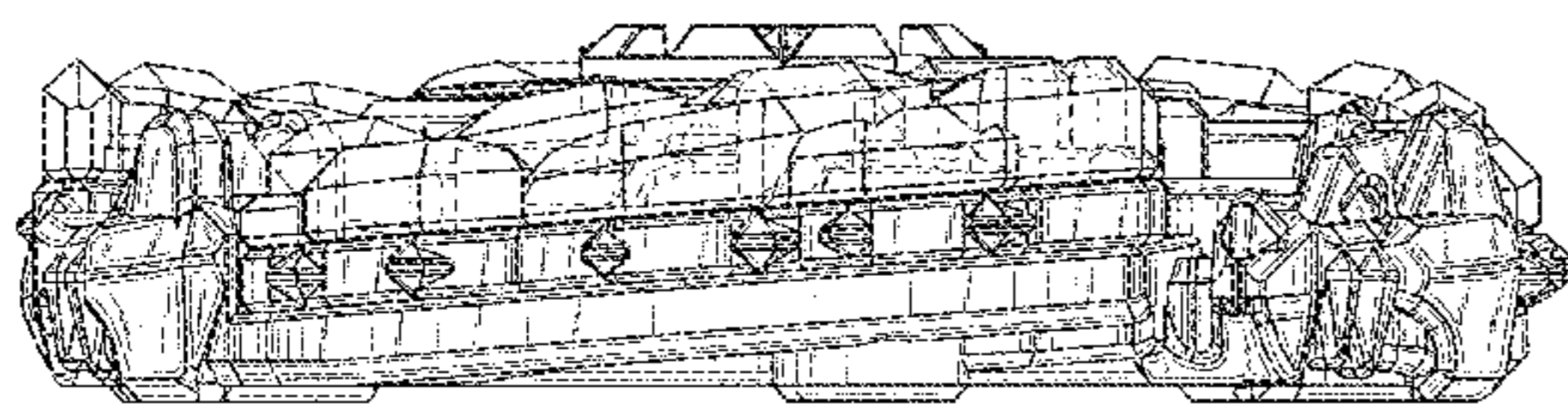
(57) **CLAIM**
The ornamental design for an accessory for spinning top toy, as shown.

DESCRIPTION

FIG. 1 is a front view of the accessory for spinning top toy showing a design;
 FIG. 2 is a left side view thereof;
 FIG. 3 is a rear view thereof;
 FIG. 4 is right side view thereof;
 FIG. 5 is a top view thereof;
 FIG. 6 is a bottom view thereof;
 FIG. 7 is a perspective view thereof;
 FIG. 8 is a front elevational view of the transparent portions, shown separately for clarity of disclosure;
 FIG. 9 is a plan view showing the top surface of the transparent portion with the central circular portion removed for clarity of disclosure;
 FIG. 10 is a front view thereof corresponding to FIG. 1 but showing contour shading to the exterior transparent parts and with the interior parts omitted for clarity of disclosure;
 FIG. 11 is a left side view thereof corresponding to FIG. 2 but showing contour shading to the exterior transparent parts and with the interior parts omitted for clarity of disclosure;
 FIG. 12 is rear view thereof corresponding to FIG. 3 but showing contour shading to the exterior transparent parts and with the interior parts omitted for clarity of disclosure;
 FIG. 13 is a right side view thereof corresponding to FIG. 4 but showing contour shading to the exterior transparent parts and with the interior parts omitted for clarity of disclosure;
 FIG. 14 is a top view thereof corresponding to FIG. 5 but showing contour shading to the exterior transparent parts and with the interior parts omitted for clarity of disclosure;
 FIG. 15 is a perspective view corresponding to FIG. 7, but showing contour shading to the exterior transparent parts and with the interior parts omitted for clarity of disclosure;
 FIG. 16 is front elevational view corresponding to FIG. 8, but showing contour shading to the exterior parts and with the interior parts omitted for clarity of disclosure; and,
 FIG. 17 is a top plan view corresponding to FIG. 9, but showing contour shading.

The portions of the accessory for spinning top toy shown in broken lines form no part of the claimed design.

1 Claim, 18 Drawing Sheets



(58) **Field of Classification Search**

CPC A63H 1/00-1/32

See application file for complete search history.

(56) **References Cited**

U.S. PATENT DOCUMENTS

D662,556 S *	6/2012	Horikoshi	D21/460
D665,859 S *	8/2012	Horikoshi	D21/460
D666,253 S *	8/2012	Ujita	D21/460
D825,007 S *	8/2018	Muraki	D21/460
D825,671 S *	8/2018	Horikoshi	D21/460
D825,673 S *	8/2018	Matsukawa	D21/460

FOREIGN PATENT DOCUMENTS

CN	303863727	*	9/2016
CN	303970411	*	12/2016
EM	003866169-0005	*	9/2017
JP	D1549751	*	5/2016

* cited by examiner

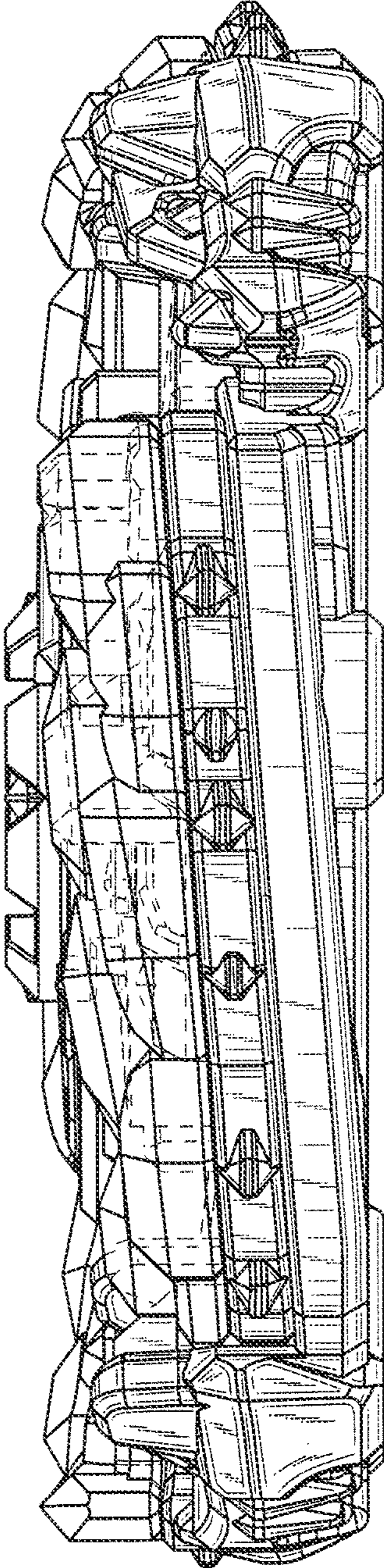


FIG.1

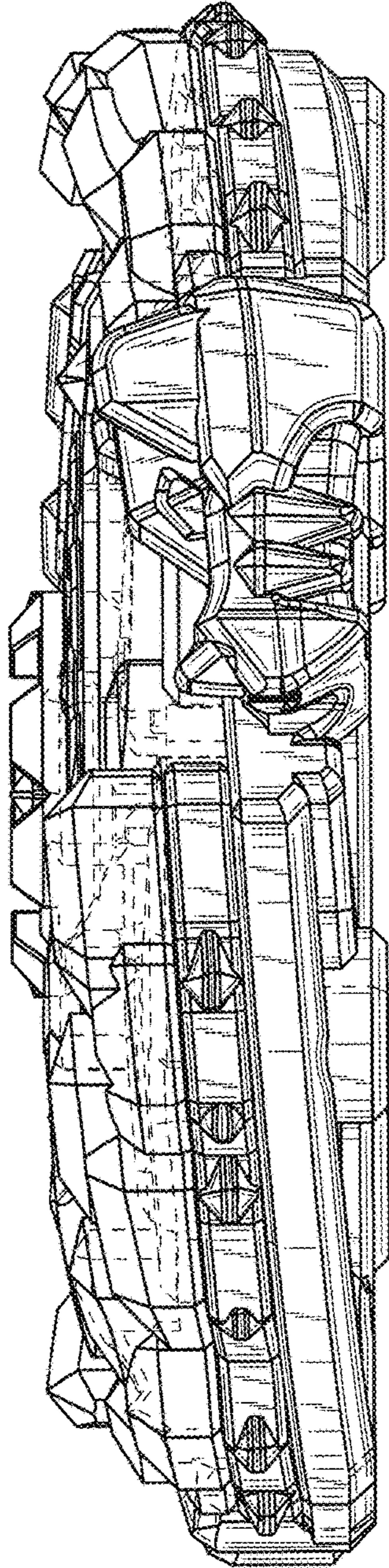


FIG.2

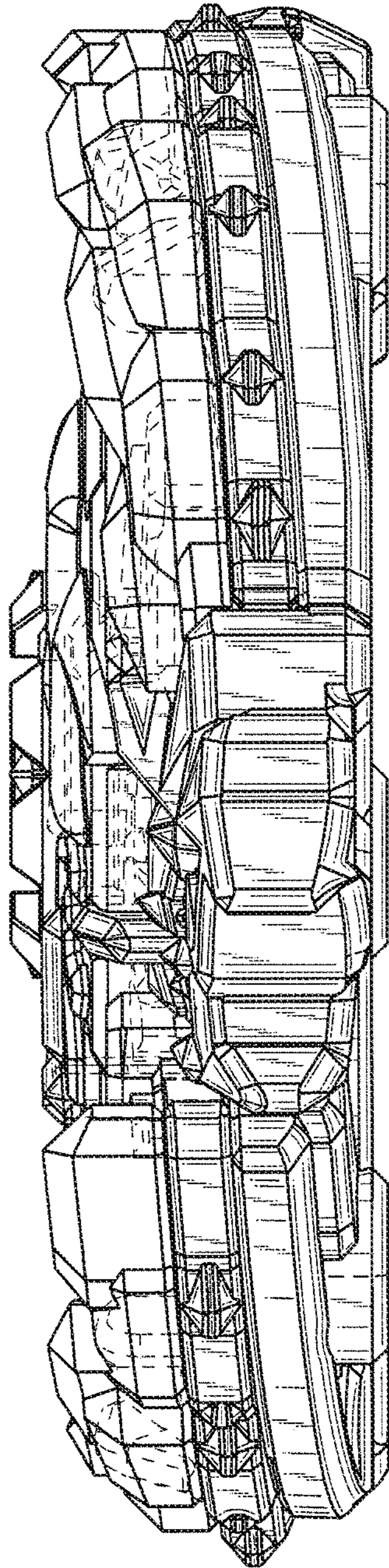


FIG.3

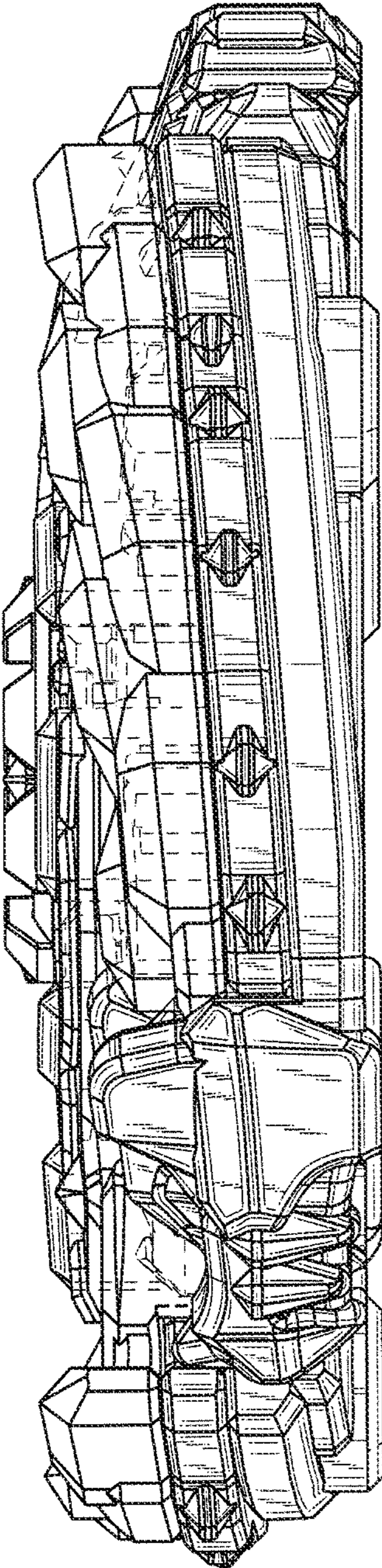


FIG.4

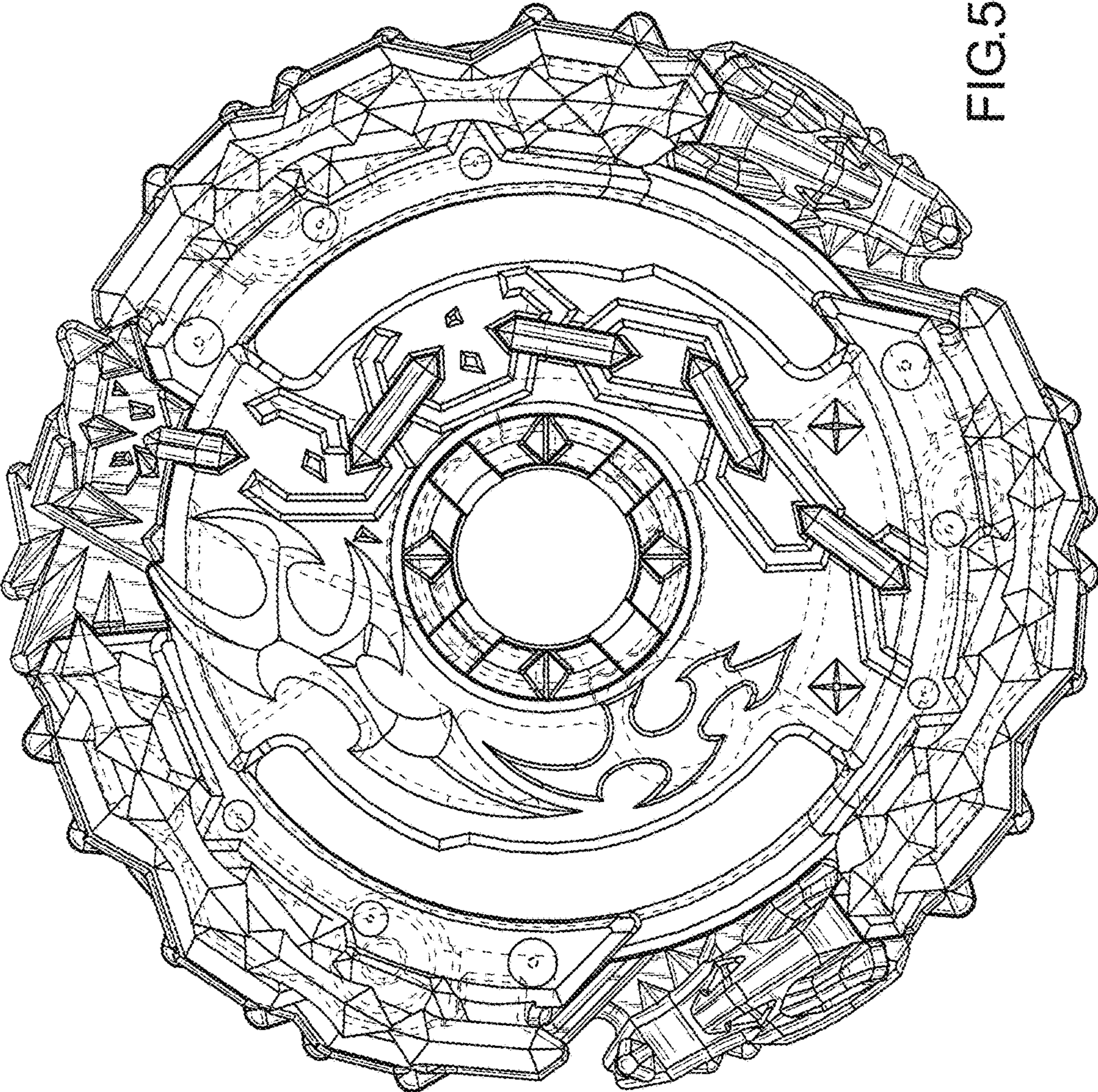


FIG.5

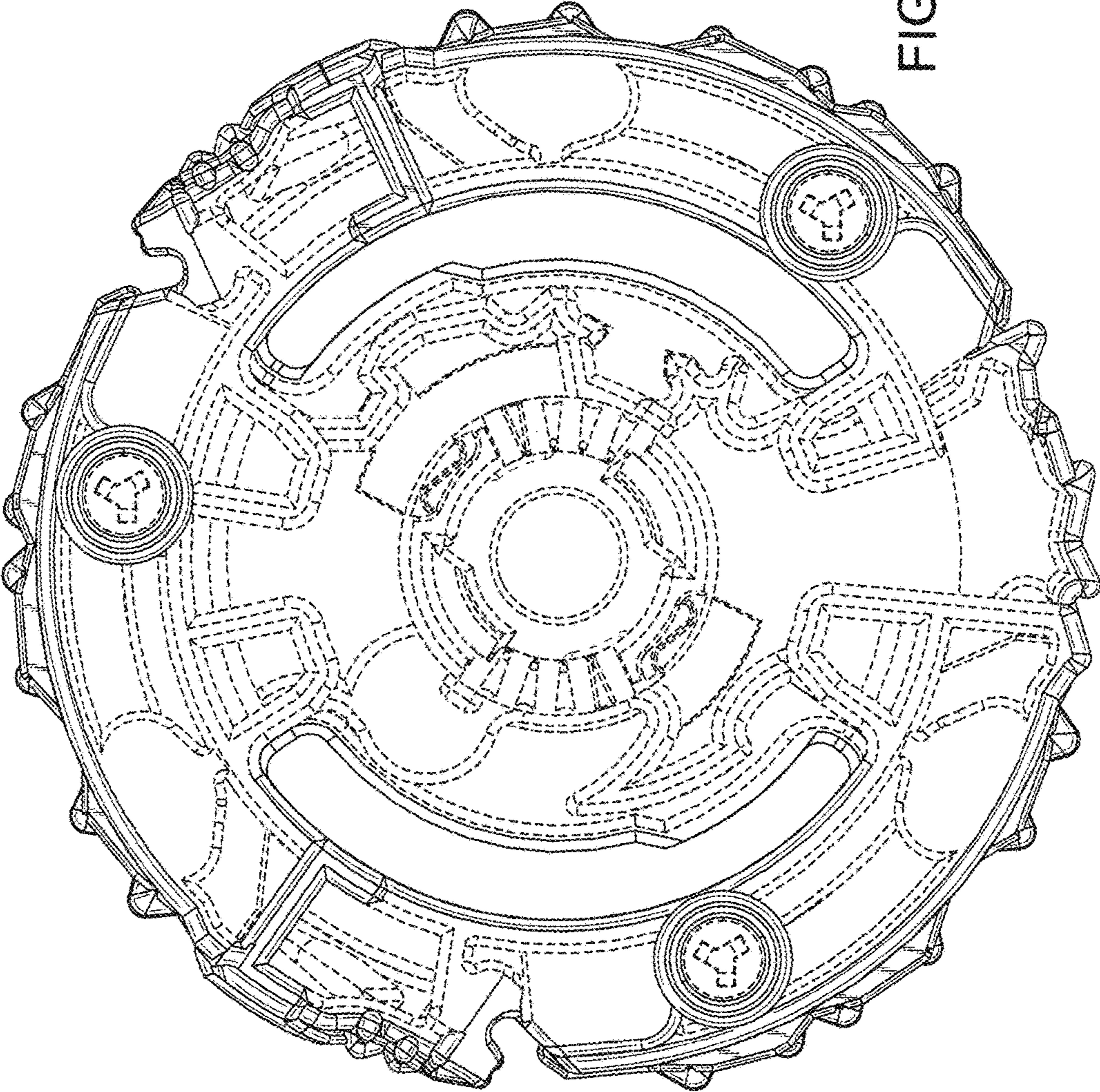


FIG.6

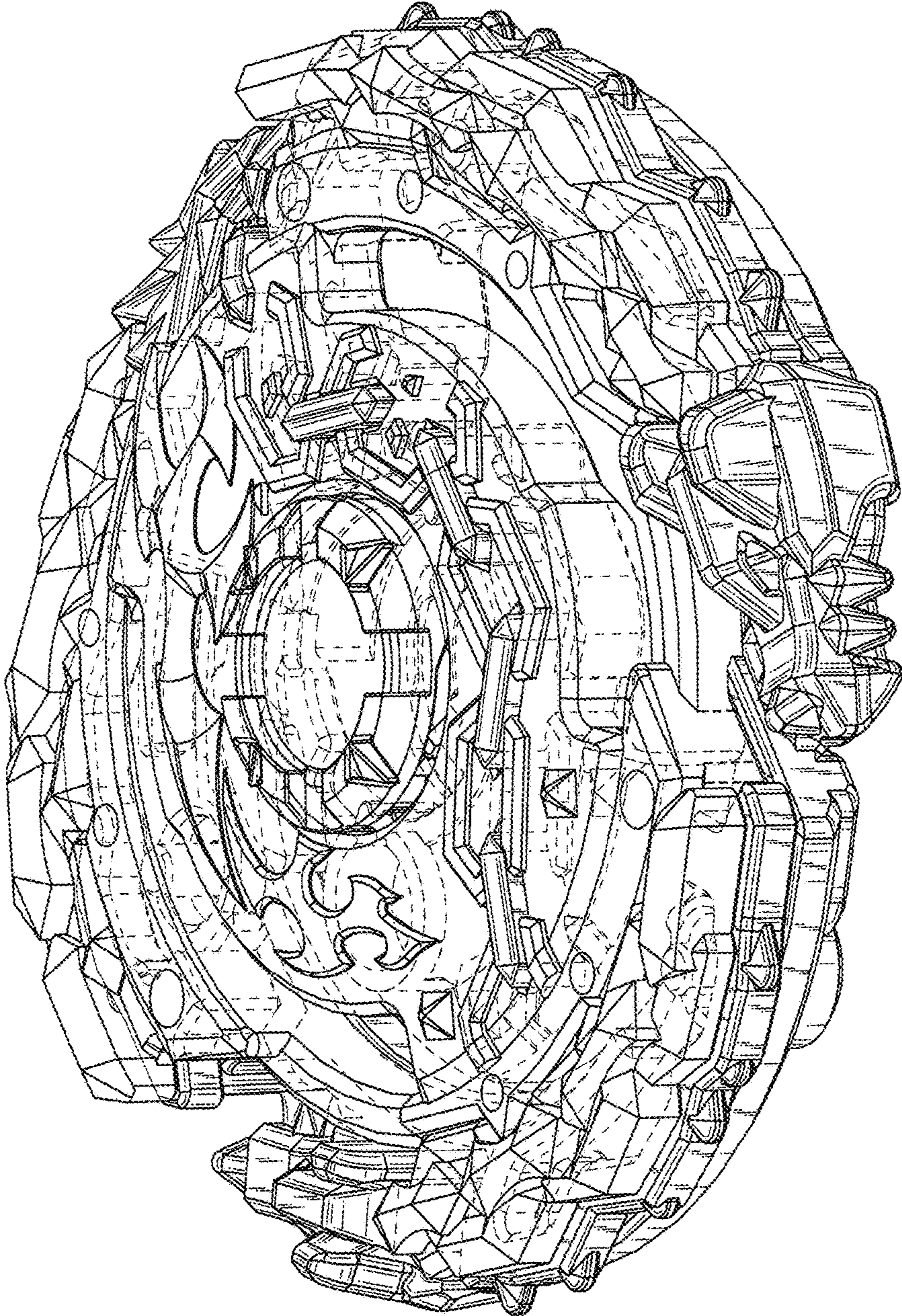


FIG.7

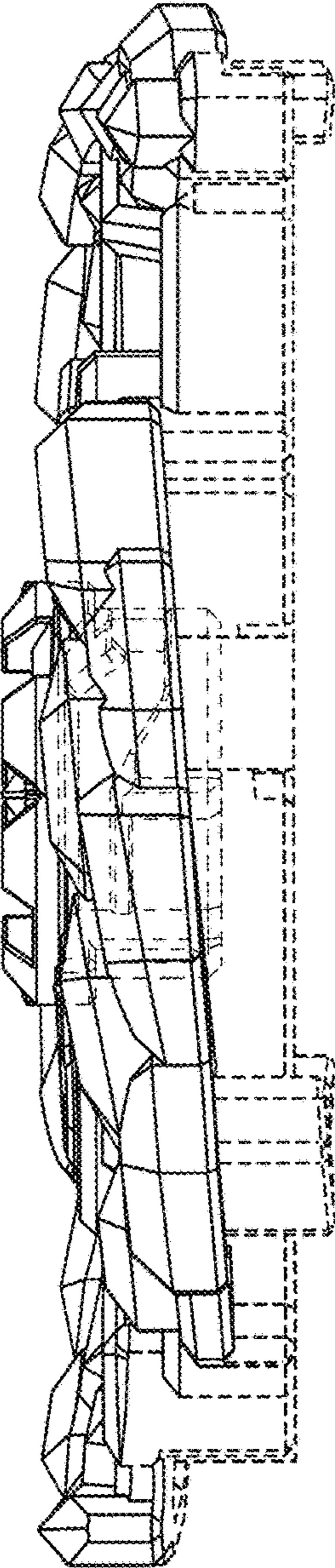


FIG.8

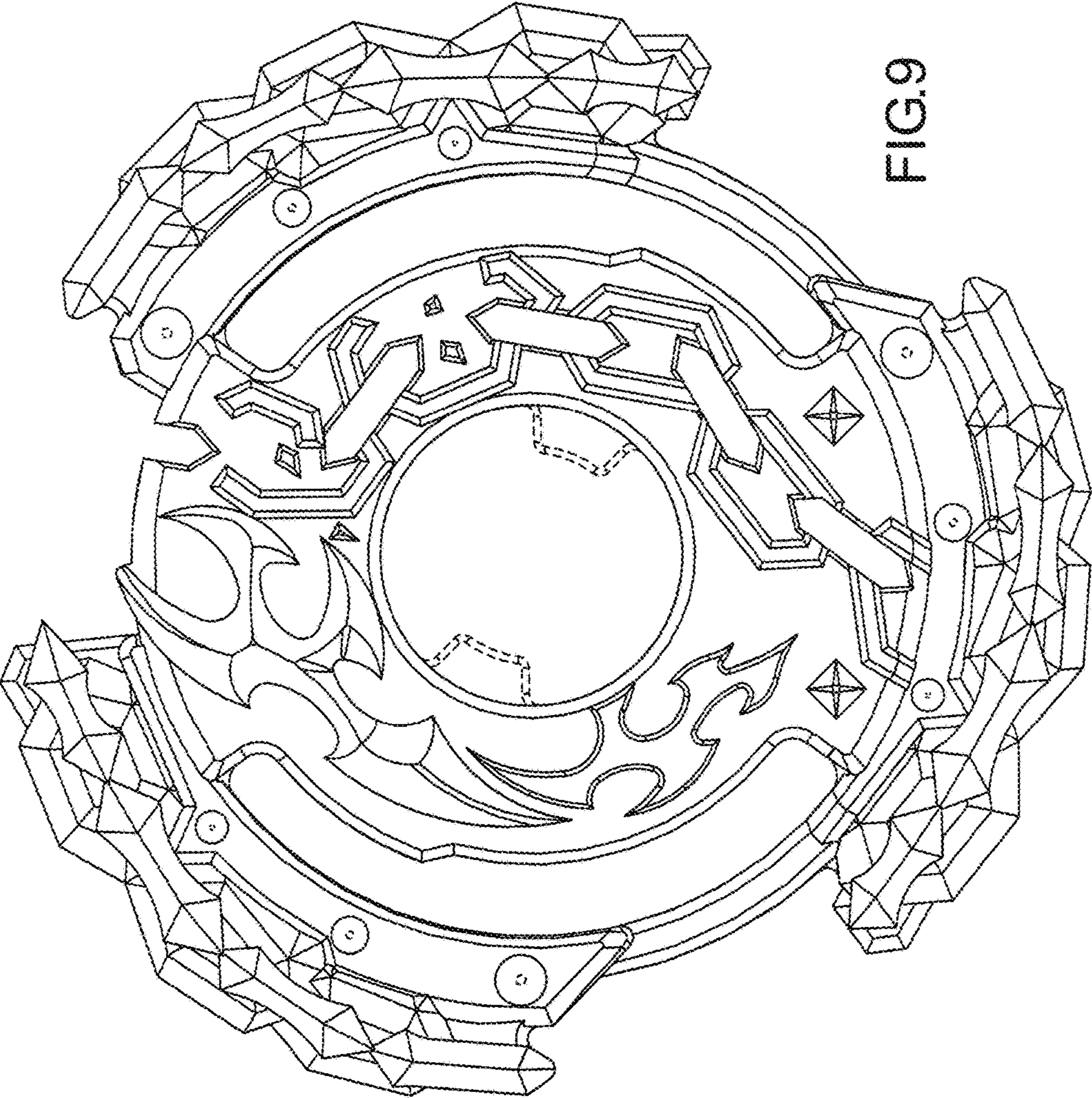


FIG. 9

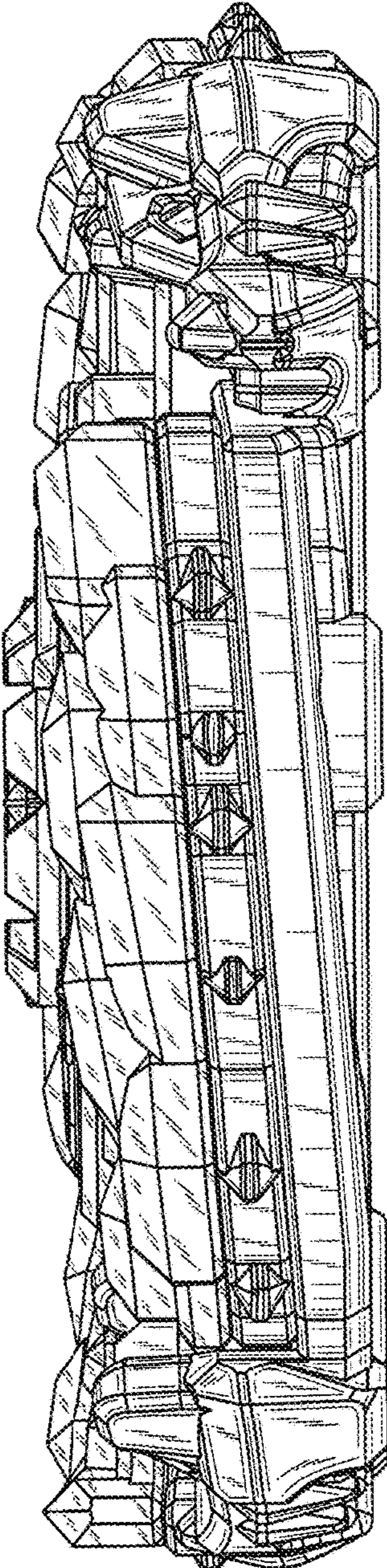


FIG.10

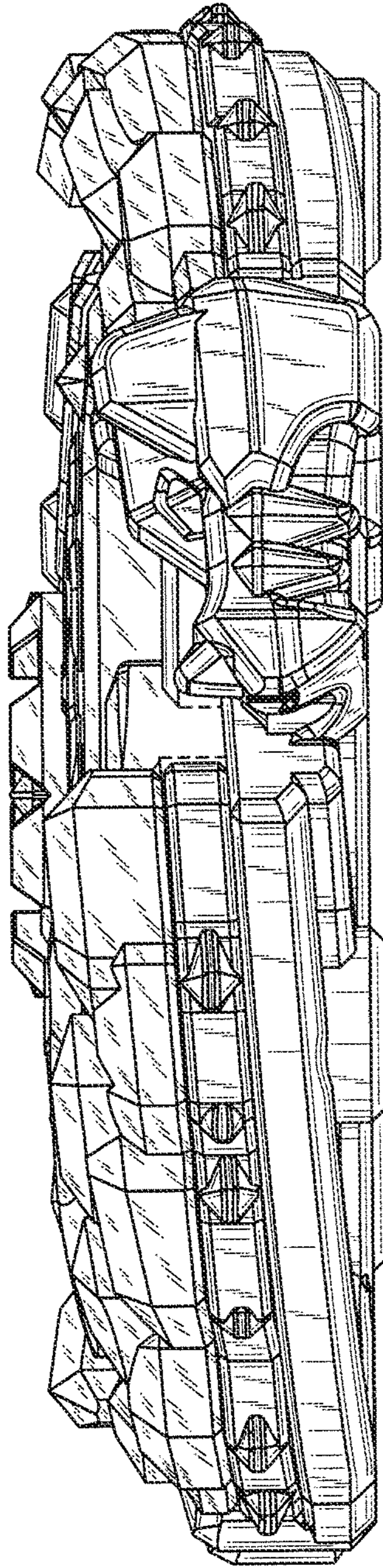


FIG.11

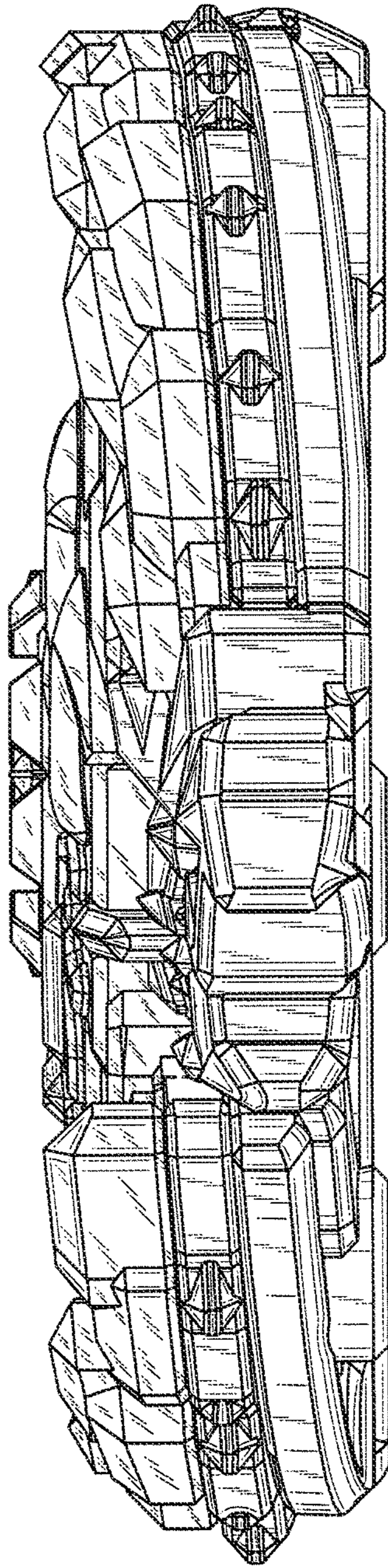


FIG.12

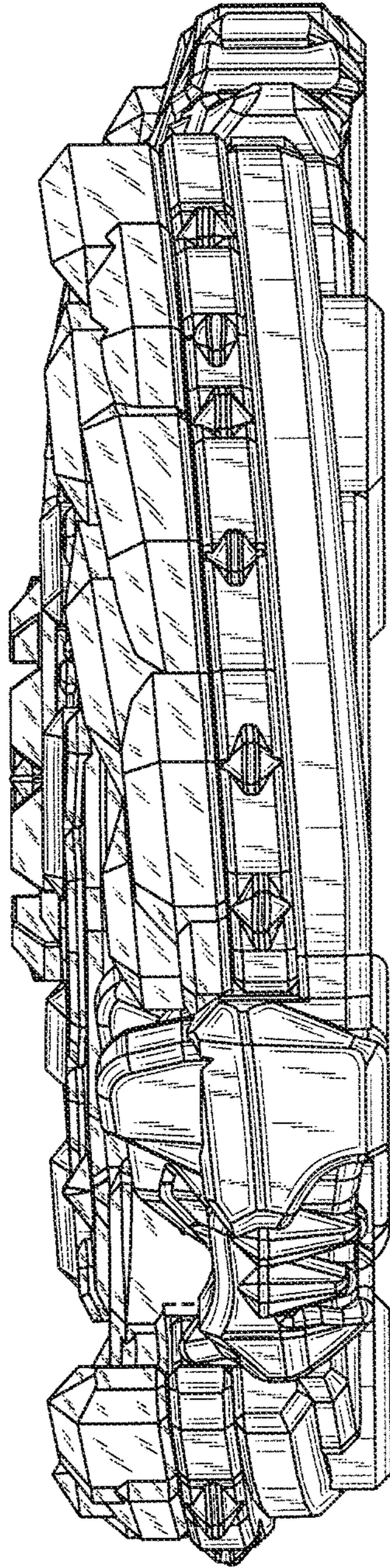
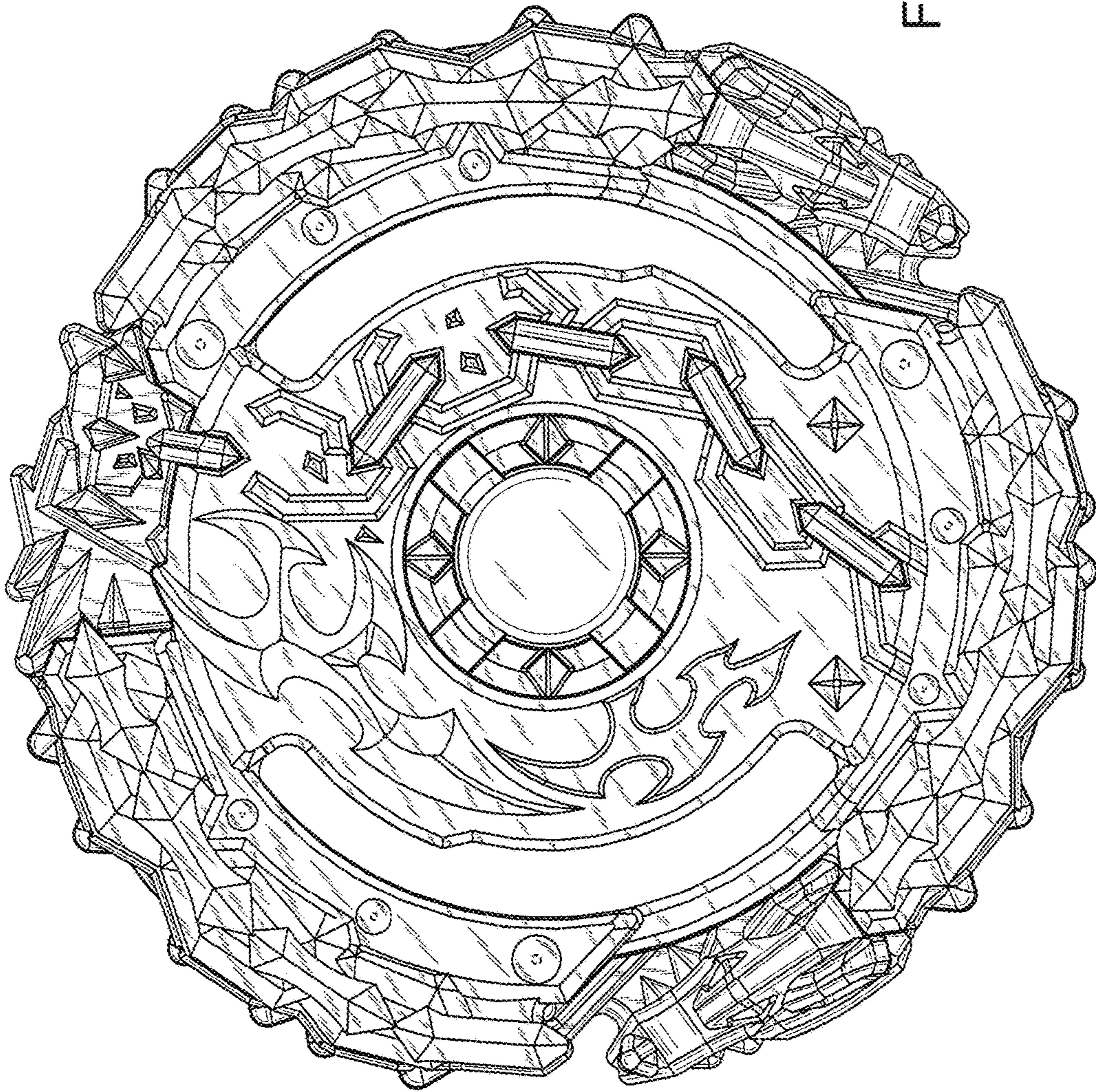


FIG.13

FIG.14



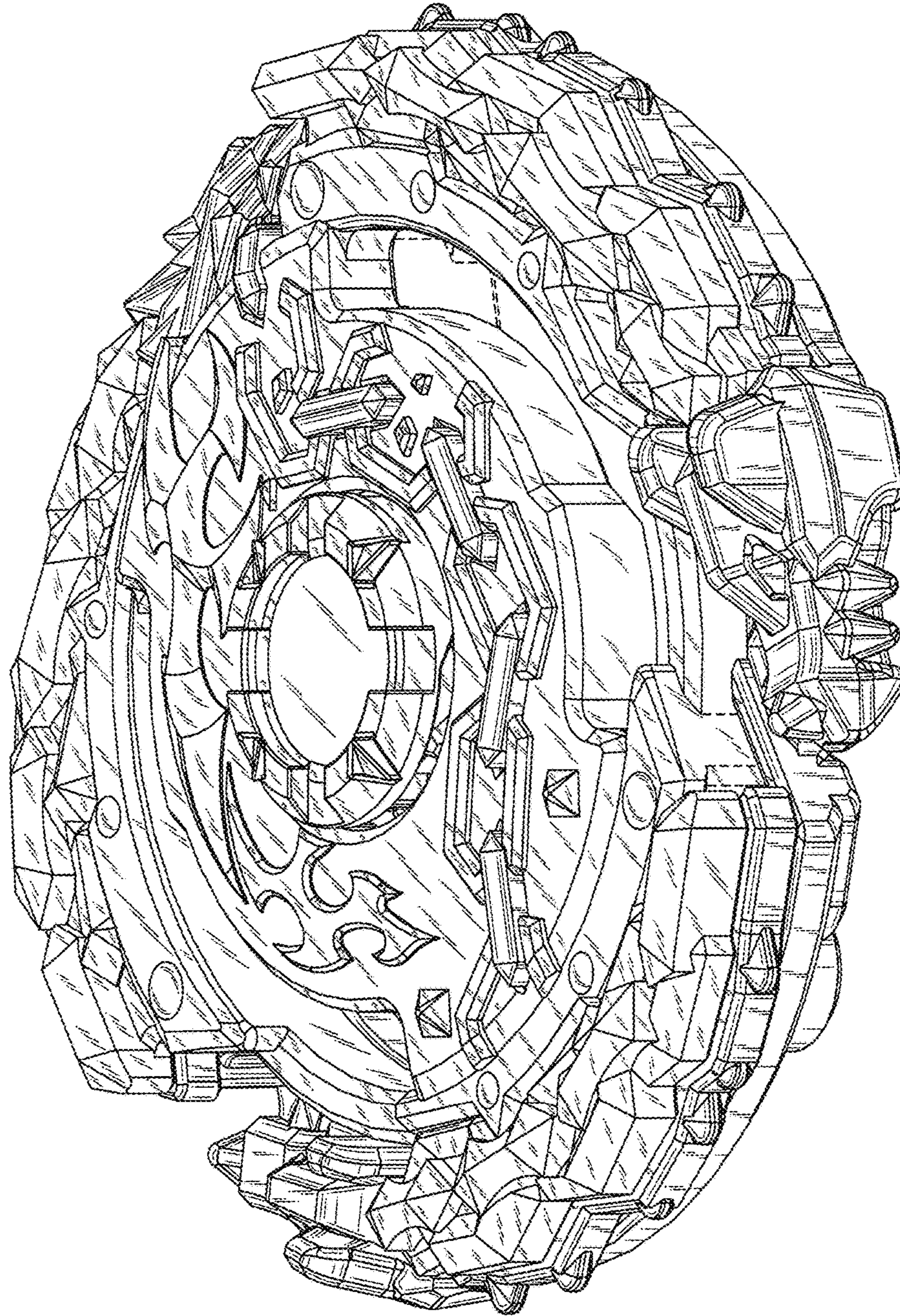


FIG.15

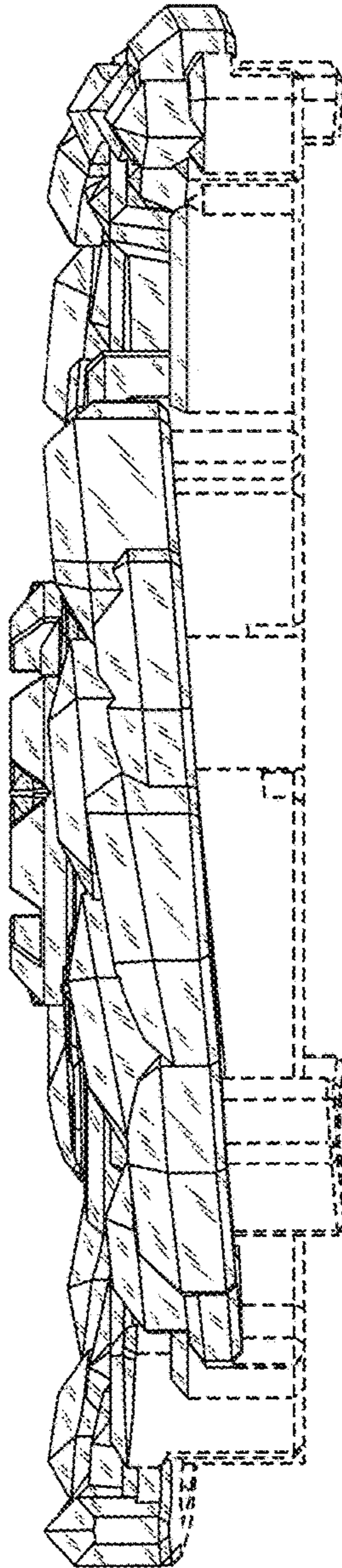
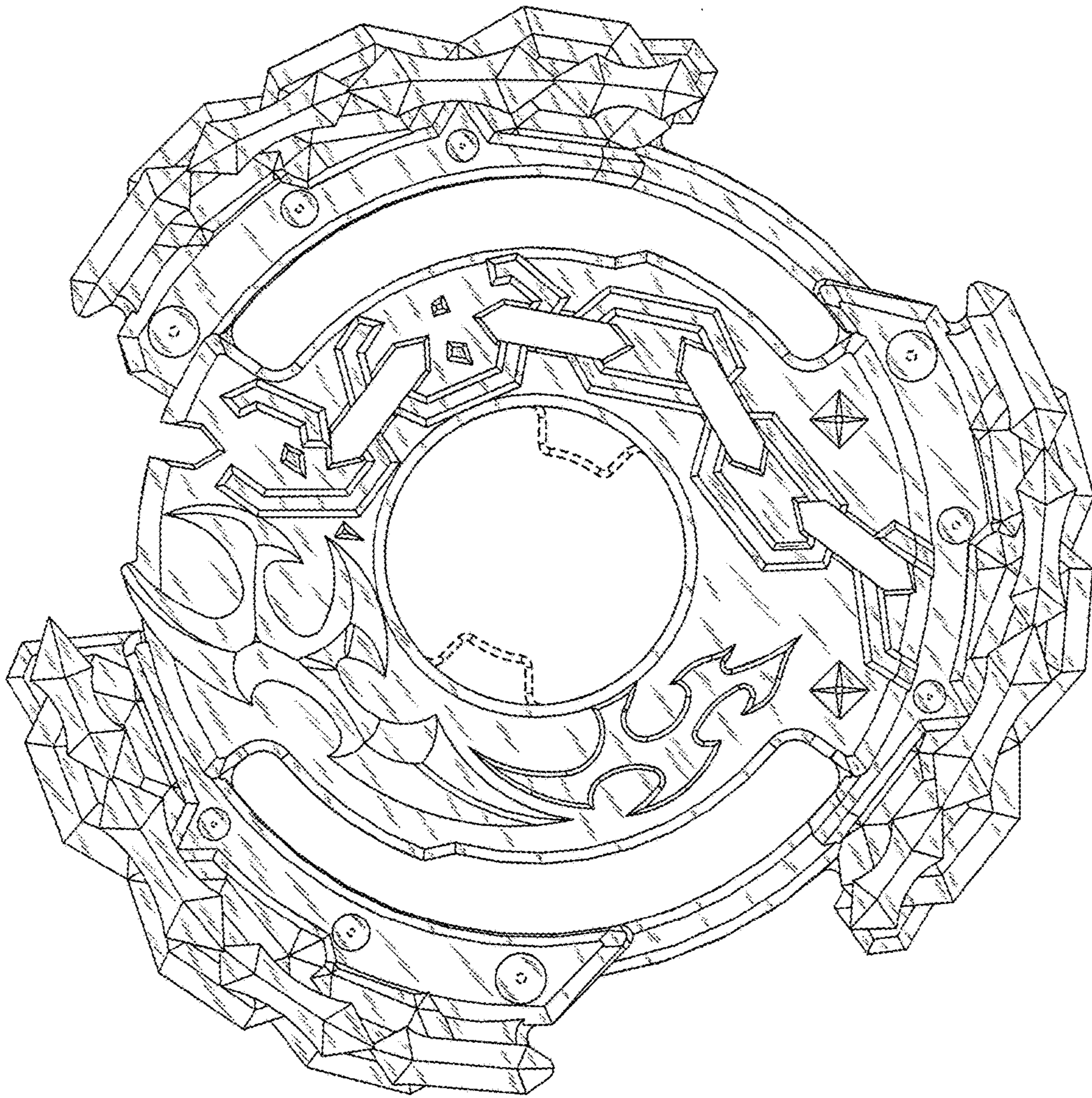


FIG.16

FIG.17



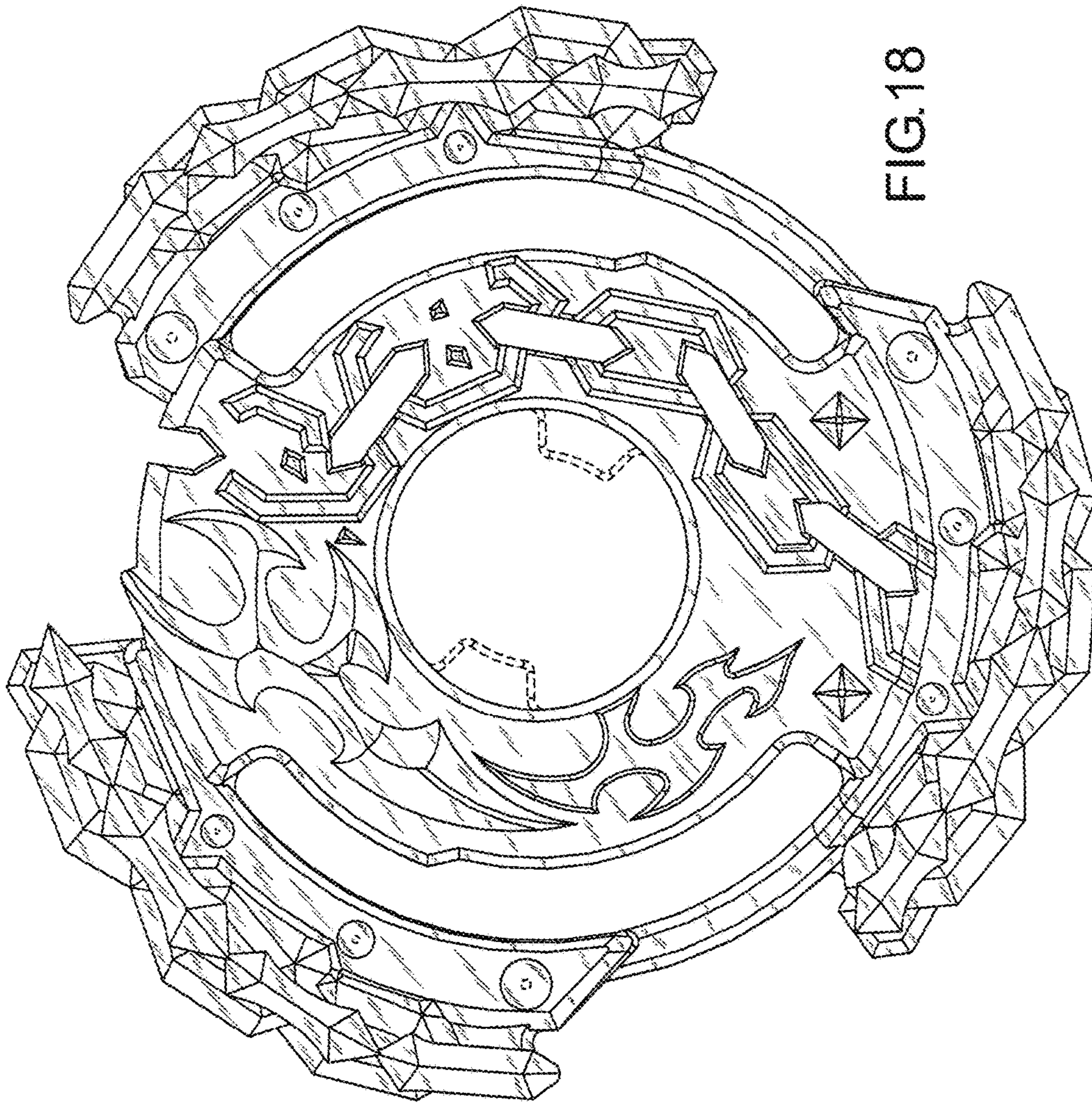


FIG.18