



US00D852277S

(12) **United States Design Patent** (10) **Patent No.:** **US D852,277 S**  
**Wyllie** (45) **Date of Patent:** **\*\* Jun. 25, 2019**

(54) **CATCHING GAME**  
(71) Applicant: **Ian Wyllie**, Duxbury, MA (US)  
(72) Inventor: **Ian Wyllie**, Duxbury, MA (US)  
(\*\*) Term: **15 Years**  
(21) Appl. No.: **29/612,143**

(22) Filed: **Jul. 28, 2017**  
(51) **LOC (11) Cl.** ..... **21-03**  
(52) **U.S. Cl.**  
USPC ..... **D21/303; D21/322**  
(58) **Field of Classification Search**  
USPC ..... D21/300, 301, 302, 303, 304, 318, 319,  
D21/334, 335, 336, 341, 342, 343, 365,  
D21/385, 386, 390, 396, 699, 789, 790,  
D21/791, 793, 794, 397, 322; D6/302,  
D6/309, 310, 312, 332; 273/402  
CPC ..... A63B 67/00; A63B 71/00; A63B 63/00;  
A63B 63/08  
See application file for complete search history.

(56) **References Cited**

**U.S. PATENT DOCUMENTS**

4,243,229 A \* 1/1981 Huser ..... A63F 9/0204  
273/402  
4,591,051 A \* 5/1986 Lowman ..... A63D 15/005  
206/315.1  
5,601,495 A \* 2/1997 Silverman ..... A63D 15/005  
473/40  
D433,724 S \* 11/2000 Craig ..... D21/385  
7,516,960 B1 \* 4/2009 Battiste ..... A47B 25/00  
273/342  
D604,478 S \* 11/2009 Bizzell ..... D2/728  
7,805,959 B2 \* 10/2010 Webb ..... F25D 3/08  
62/457.3  
D655,773 S \* 3/2012 Taggart ..... D21/782  
8,662,501 B1 \* 3/2014 Perales ..... A63B 63/08  
108/44

D729,320 S \* 5/2015 Parker ..... D21/303  
D761,185 S \* 7/2016 Coyle ..... D12/221  
D763,358 S \* 8/2016 Quick ..... D21/303  
D798,792 S \* 10/2017 Coyle ..... D12/221  
2005/0029747 A1 \* 2/2005 Grayson ..... A63F 7/0017  
273/342  
2013/0134677 A1 \* 5/2013 McDonnell ..... A63F 9/00  
273/398  
2014/0027983 A1 \* 1/2014 Keebler ..... A63B 67/06  
273/407

**OTHER PUBLICATIONS**

“Beer Ponk”, posted Nov. 5, 2017 [online], [retrieved Jan. 14, 2019]. Retrieved from internet, <https://www.wayfair.com/outdoor/pdp/beer-pong-golf-the-original-backyard-single-golf-cornhole-board-bpgf1001.html#59tgdpizzyk2-5>.\*

(Continued)

*Primary Examiner* — Barbara Fox  
*Assistant Examiner* — Mehri F Bajoul  
(74) *Attorney, Agent, or Firm* — Chan Hubbard PLLC;  
Keala Chan

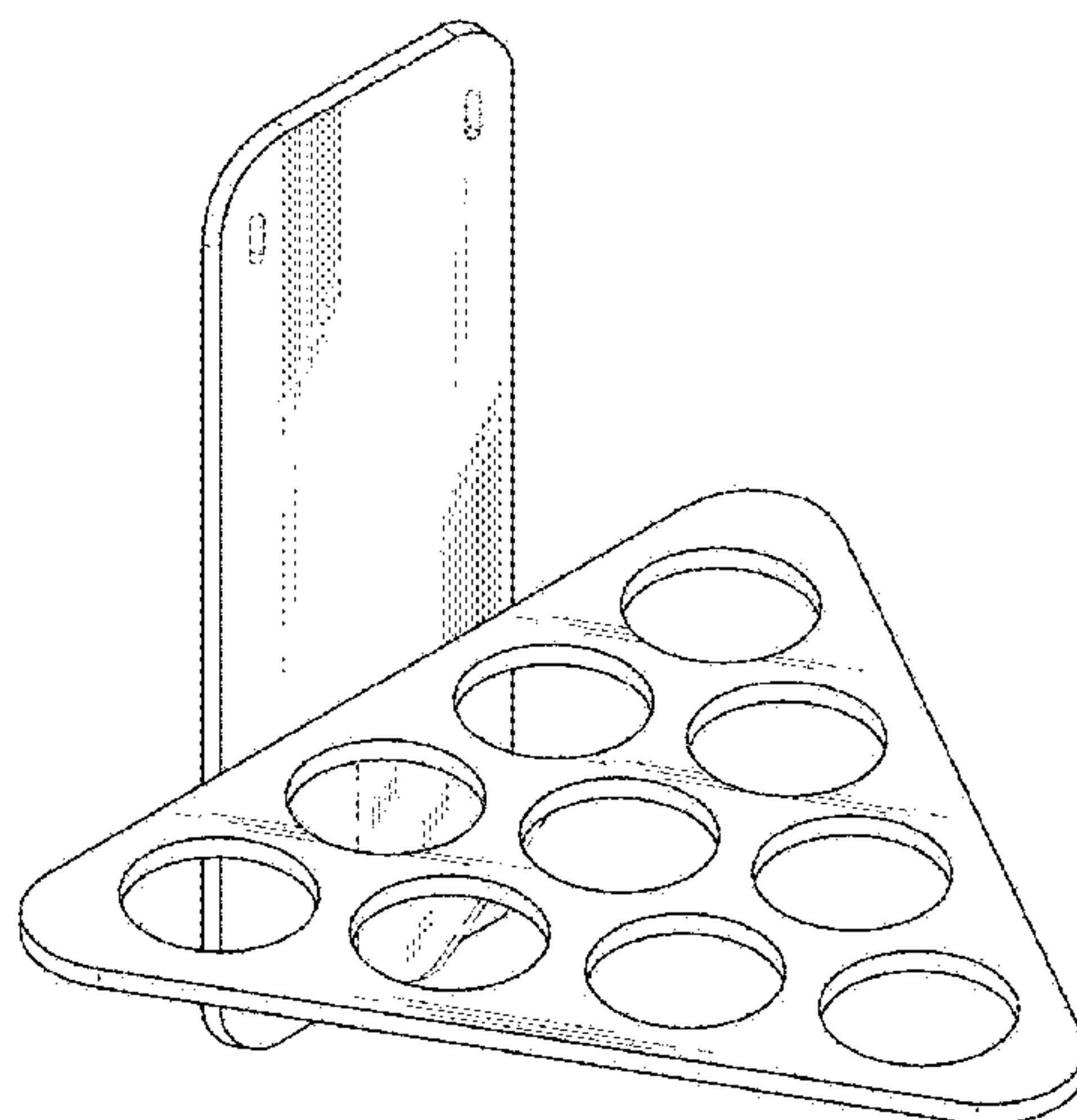
(57) **CLAIM**

The ornamental design for a catching game, as shown and described.

**DESCRIPTION**

FIG. 1 is a front perspective view of a catching game, showing my new design;  
FIG. 2 is a top elevational view thereof;  
FIG. 3 is a bottom elevational view thereof;  
FIG. 4 is a rear elevational view thereof;  
FIG. 5 is a front elevational view thereof;  
FIG. 6 is a left elevational view thereof; and,  
FIG. 7 is a right elevational view thereof.  
The broken lines shown in the drawings depict portions of the catching game that form no part of the claimed design.

**1 Claim, 7 Drawing Sheets**



(56)

**References Cited**

OTHER PUBLICATIONS

“Beer Ponk Rack Set”, posted May 12, 210[online], [retrieved xx/xx/xx]. Retrieved from internet, [https://www.amazon.com/GoPong-N-Ice-Freezable-2-Racks-3-Balls/dp/B002MUC0ZE/ref=cm\\_cr\\_arpd\\_pdt\\_img\\_top?ie=UTF8](https://www.amazon.com/GoPong-N-Ice-Freezable-2-Racks-3-Balls/dp/B002MUC0ZE/ref=cm_cr_arpd_pdt_img_top?ie=UTF8).\*

“Triangle Wine Rack”, posted date unavailable [online], [retrieved xx/xx/xx]. Retrieved from internet, [https://www.amazon.com/Wei-Hong-Home-Cabinets-Triangle/dp/B07DS5MKNT/ref=sr\\_1\\_cc\\_1?s=aps&ie=UTF8&qid=1547238647&sr=1-1-catcorr&keywords=beer+rack+triangle](https://www.amazon.com/Wei-Hong-Home-Cabinets-Triangle/dp/B07DS5MKNT/ref=sr_1_cc_1?s=aps&ie=UTF8&qid=1547238647&sr=1-1-catcorr&keywords=beer+rack+triangle).\*

\* cited by examiner

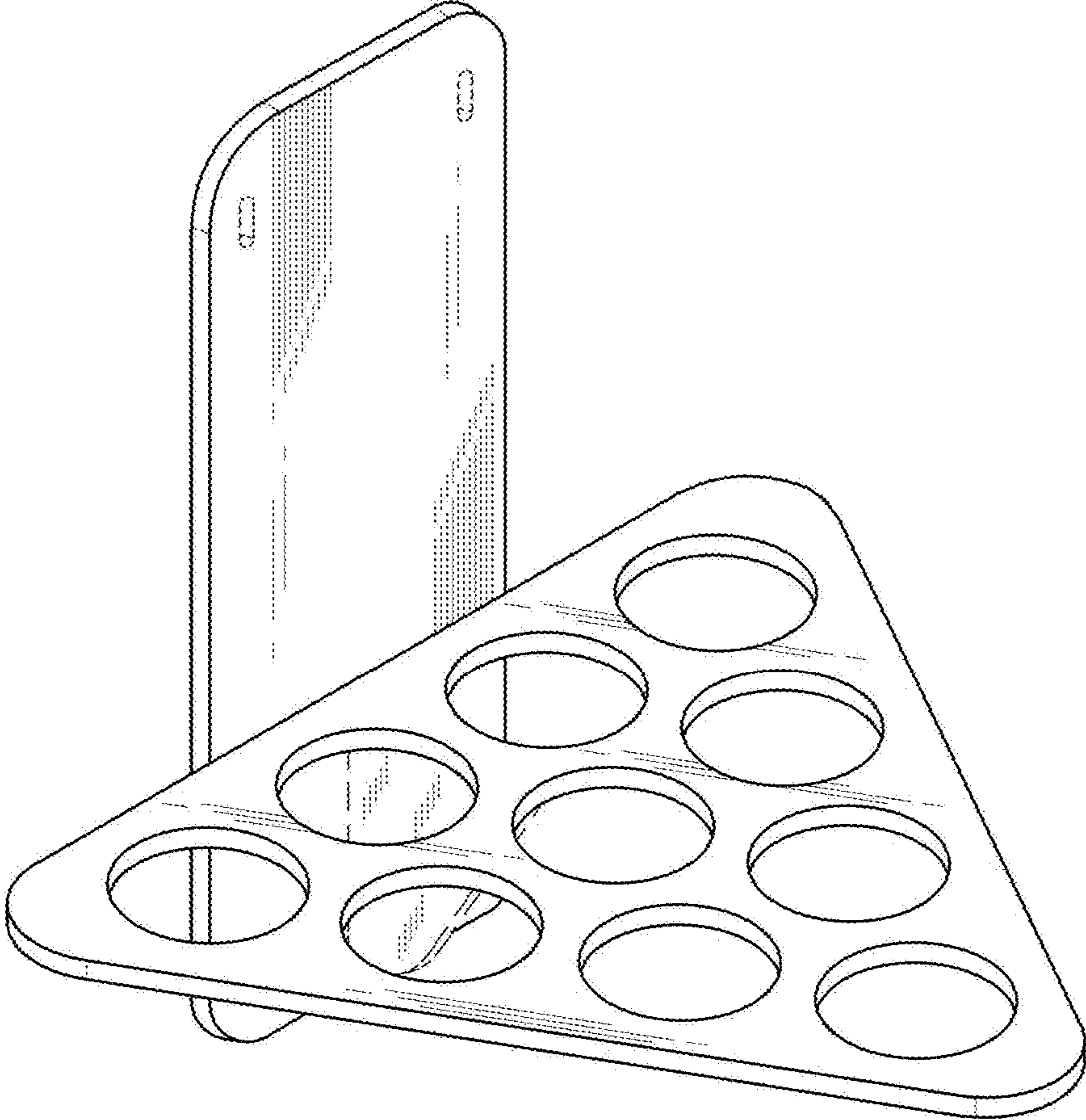


FIG. 1

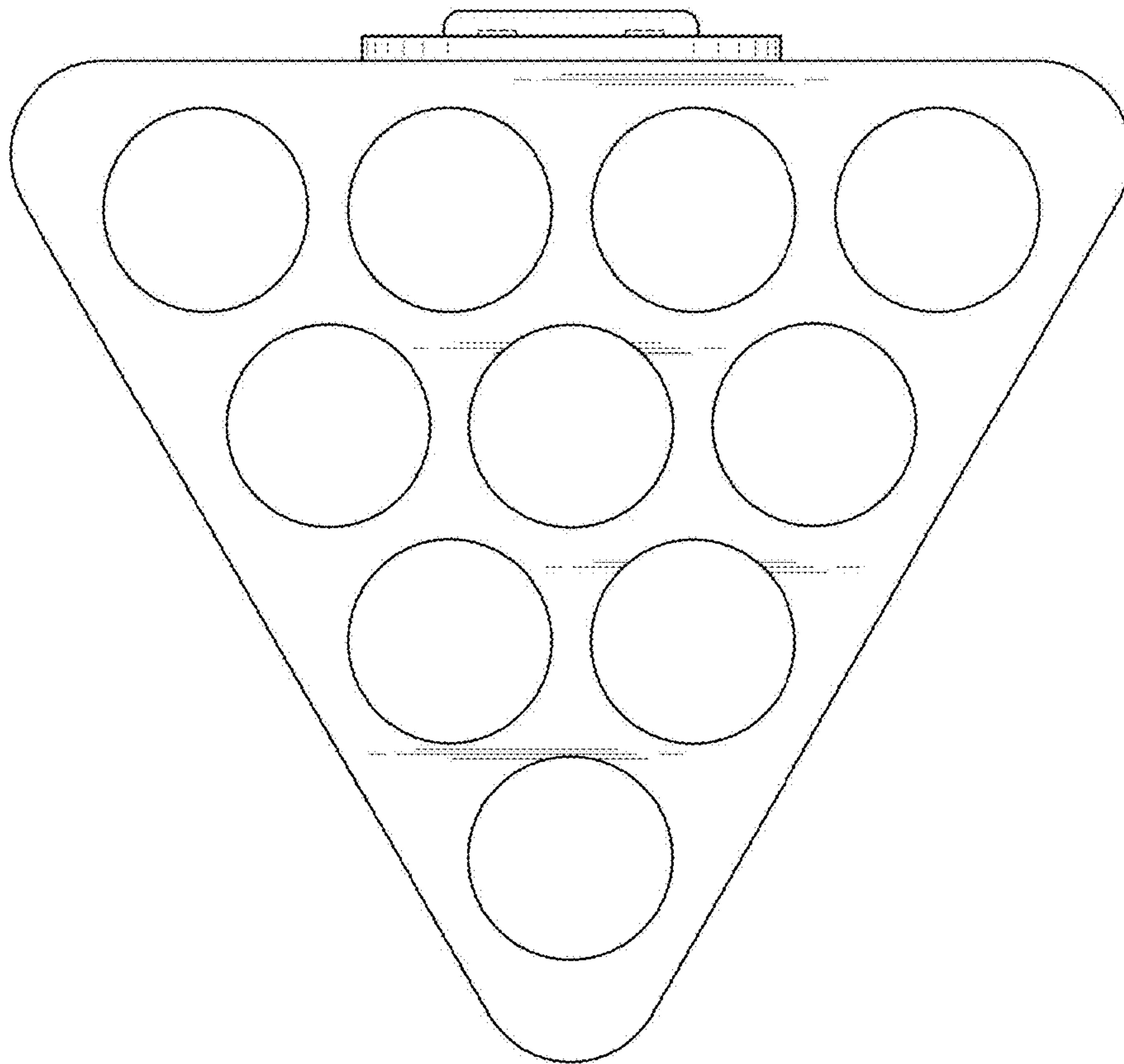


FIG. 2

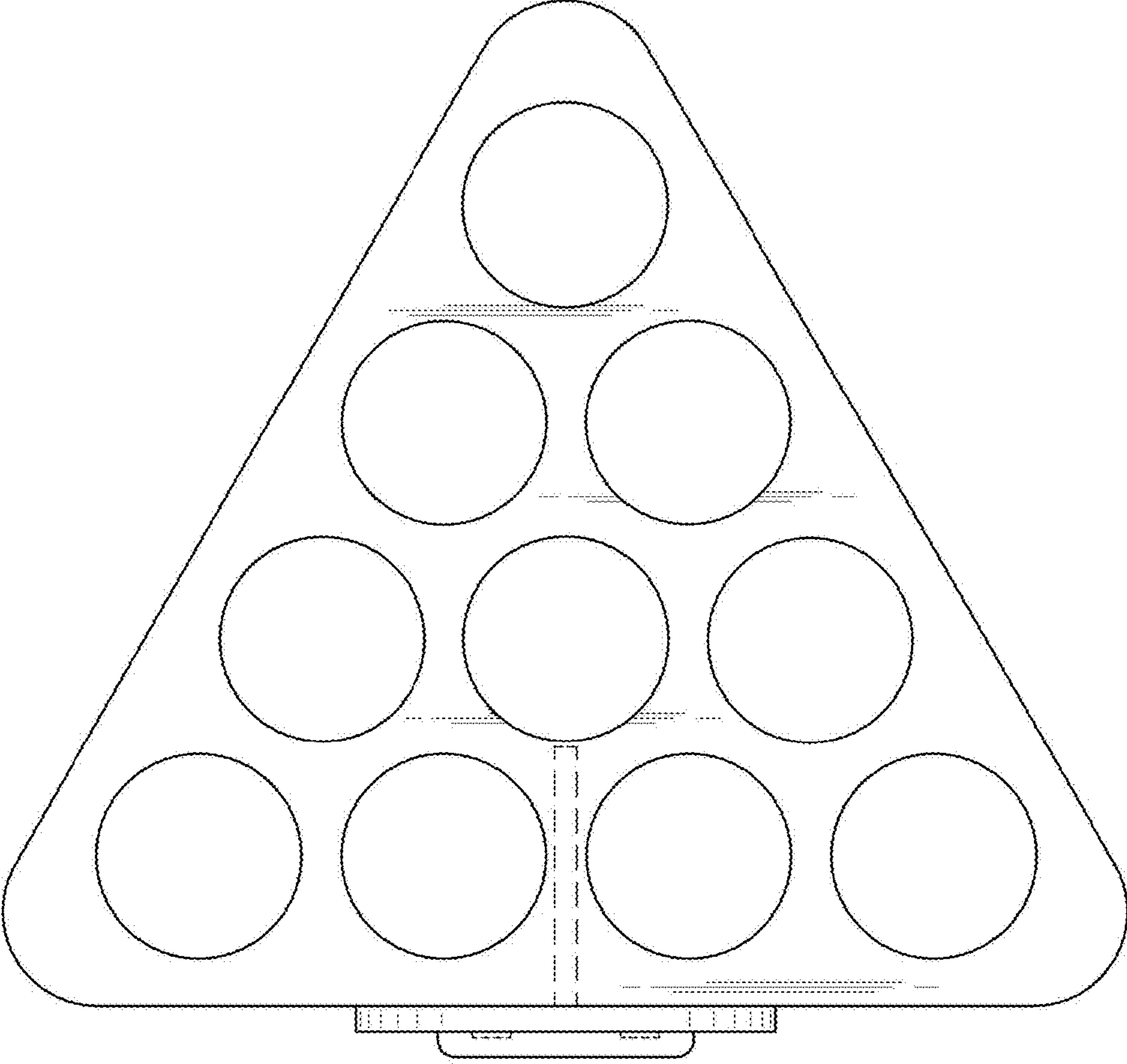


FIG. 3

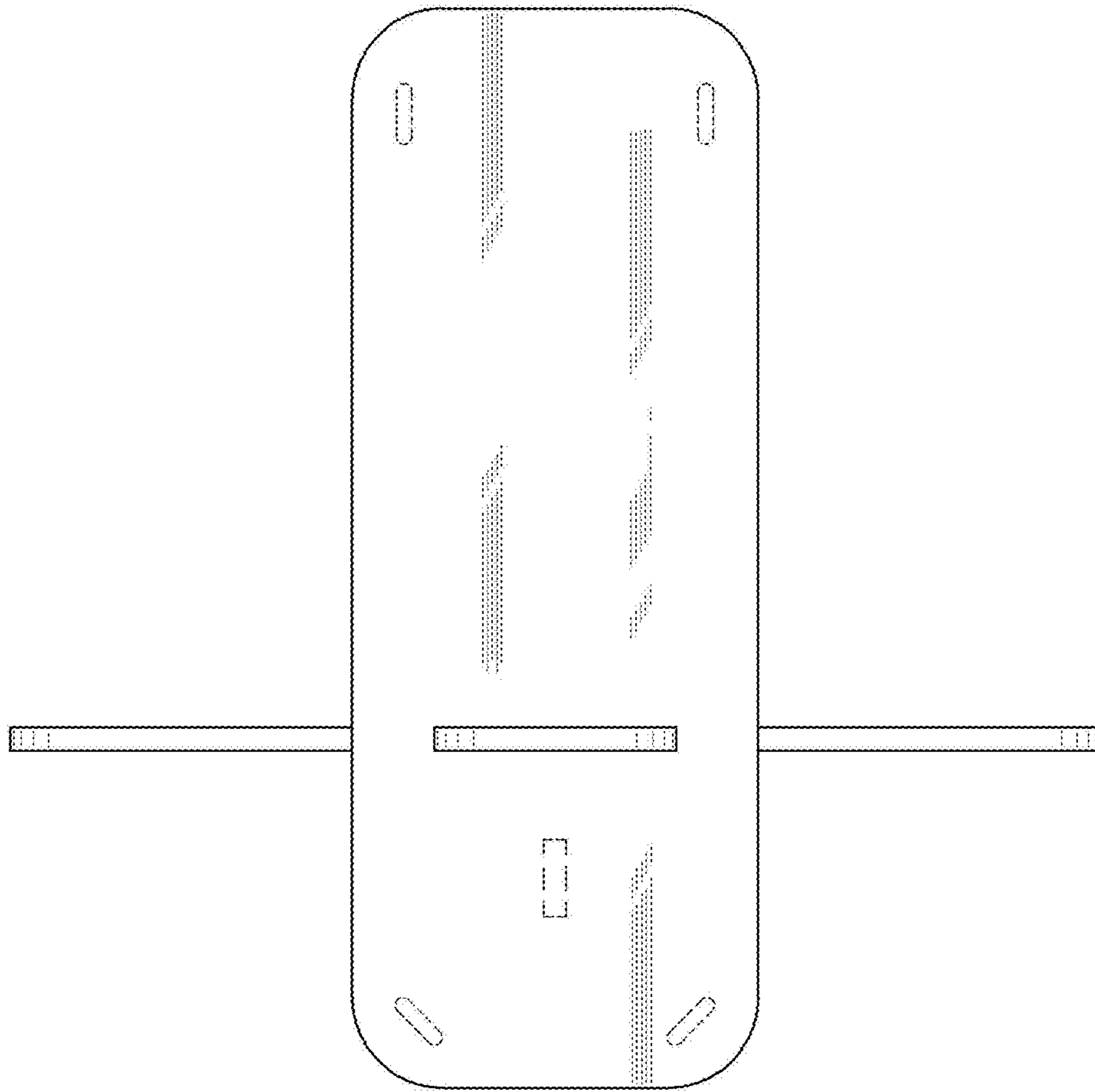


FIG. 4



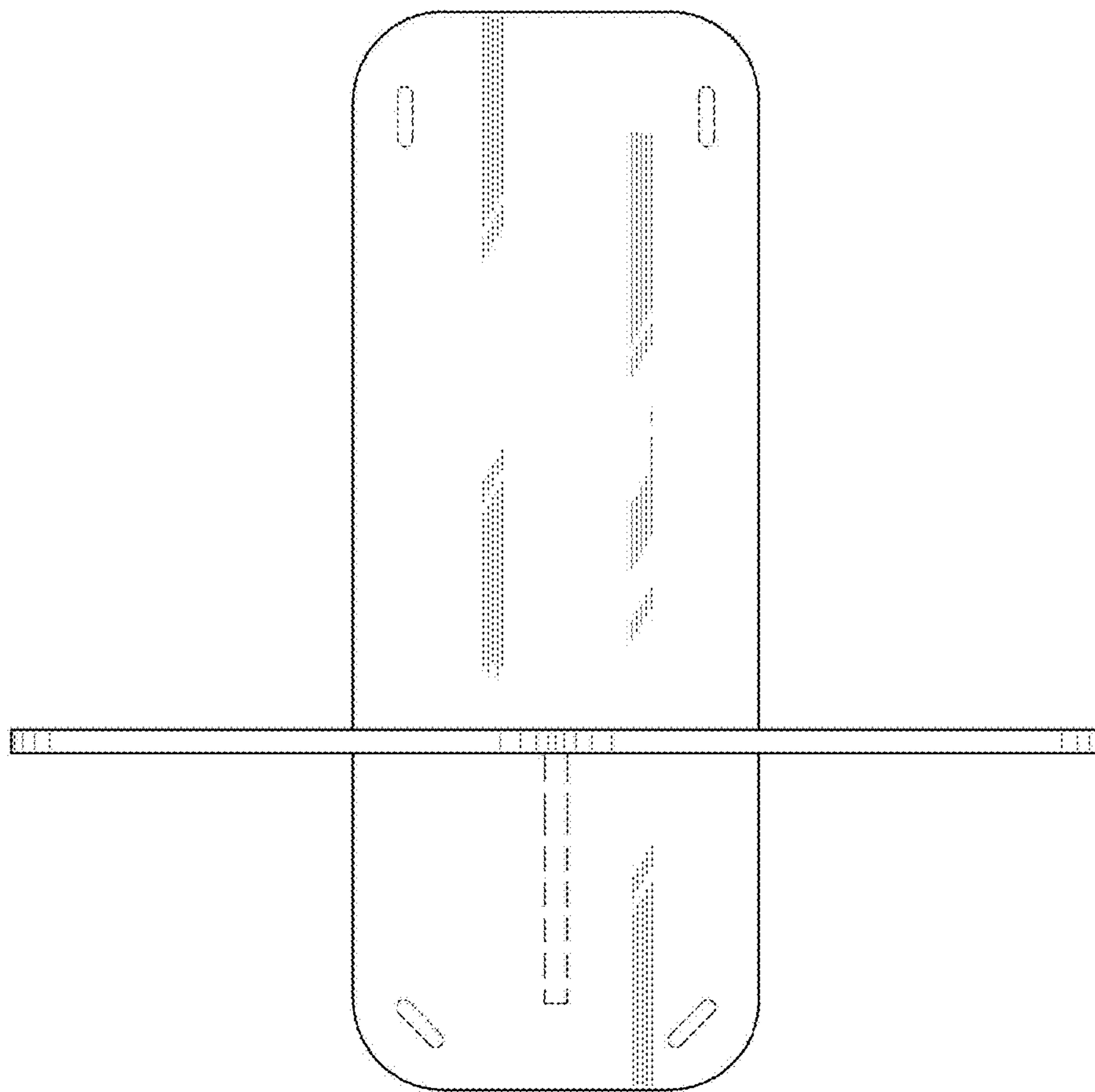


FIG. 5

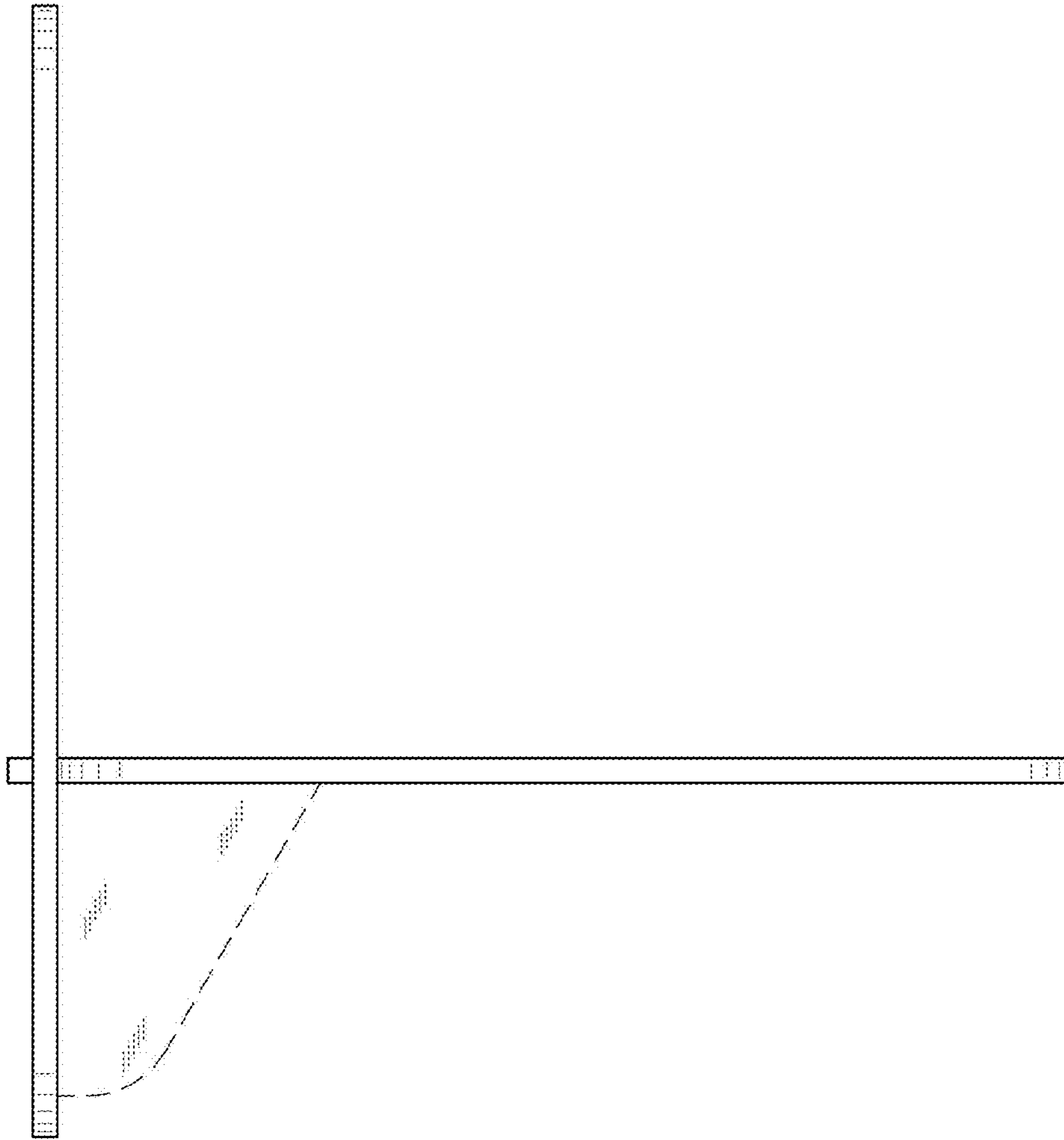


FIG. 6



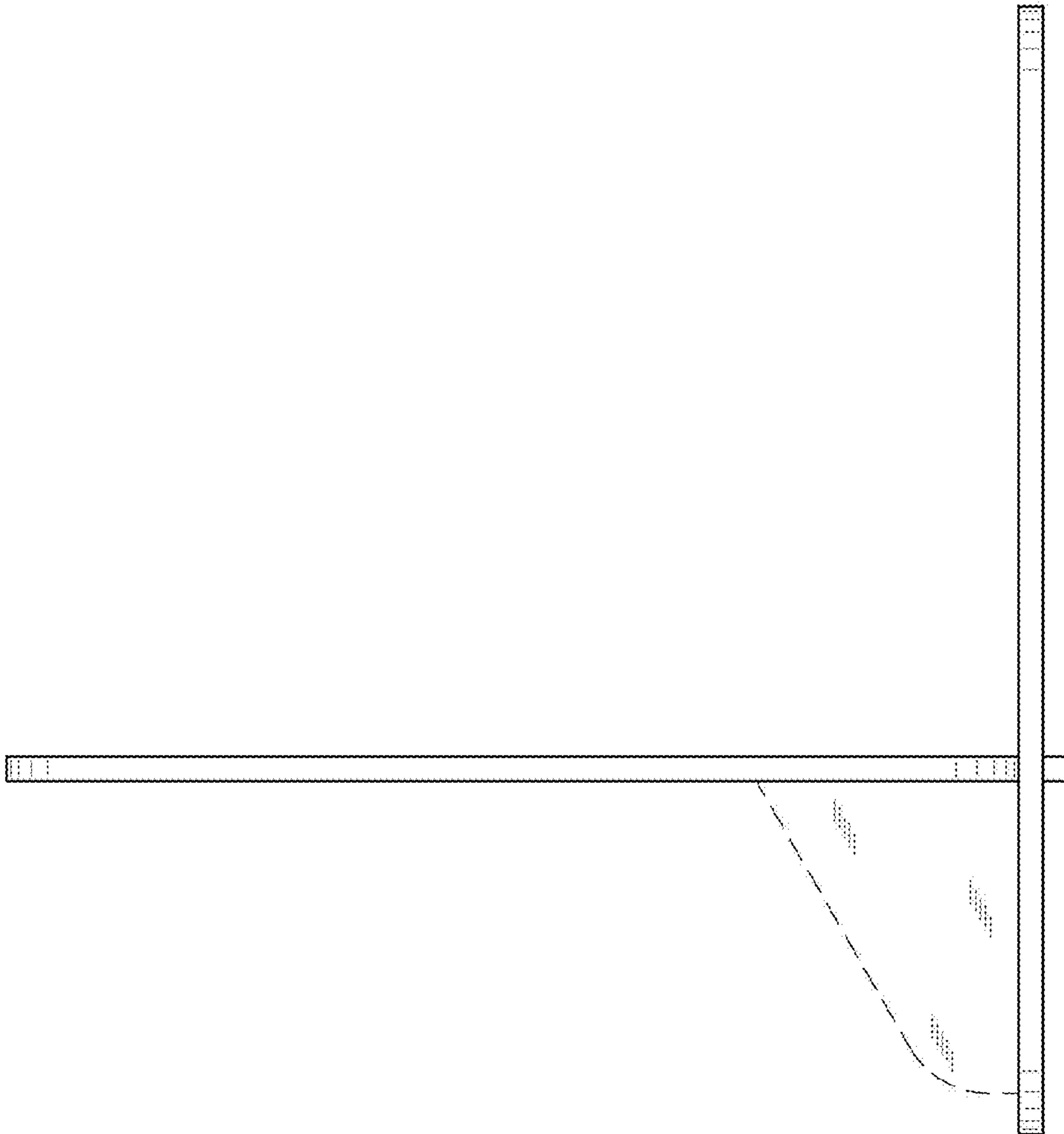


FIG. 7