



US00D852276S

(12) **United States Design Patent** (10) **Patent No.:** **US D852,276 S**  
**Lim et al.** (45) **Date of Patent:** **\*\* Jun. 25, 2019**

(54) **DIGITAL SIGNAGE**

(56) **References Cited**

(71) Applicant: **LG ELECTRONICS INC.**, Seoul (KR)

U.S. PATENT DOCUMENTS

(72) Inventors: **Jaewon Lim**, Seoul (KR); **Junghan Ryu**, Seoul (KR); **Younghun Jang**, Seoul (KR)

1,357,280 A \* 11/1920 Dulle ..... A47G 1/1686  
 248/490  
 5,480,116 A \* 1/1996 Callas ..... G09F 7/08  
 248/228.4  
 6,119,999 A \* 9/2000 Fleishman ..... A47G 1/1686  
 248/340  
 6,634,610 B1 \* 10/2003 Ricci ..... G09F 7/18  
 242/378  
 9,163,445 B2 \* 10/2015 Andren ..... E05D 15/0634  
 2002/0083631 A1 \* 7/2002 Walsh, Jr. .... G09F 7/18  
 40/617  
 2005/0001136 A1 \* 1/2005 Fleishman ..... A47G 1/1686  
 248/489  
 2008/0029673 A1 \* 2/2008 Nakamura ..... A47G 1/1686  
 248/322  
 2008/0134554 A1 \* 6/2008 Pitcher ..... G09F 7/18  
 40/606.14

(73) Assignee: **LG ELECTRONICS INC.**, Seoul (KR)

(\*\*) Term: **15 Years**

(21) Appl. No.: **35/504,255**

(22) Filed: **Jul. 4, 2017**

(Continued)

(80) **Hague Agreement Data**

*Primary Examiner* — Mary Ann Calabrese

Int. Filing Date: **Jul. 4, 2017**

(74) *Attorney, Agent, or Firm* — Birch, Stewart, Kolasch & Birch, LLP

Int. Reg. No.: **DM/097242**

Int. Reg. Date: **Jul. 4, 2017**

Int. Reg. Pub. Date: **Jan. 5, 2018**

(57) **CLAIM**

(30) **Foreign Application Priority Data**

The ornamental design for a digital signage, as shown and described.

Jan. 5, 2017 (KR) ..... 30-2017-0000739

(51) **LOC (11) Cl.** ..... **20-03**

**DESCRIPTION**

(52) **U.S. Cl.**  
USPC ..... **D20/43**

(58) **Field of Classification Search**

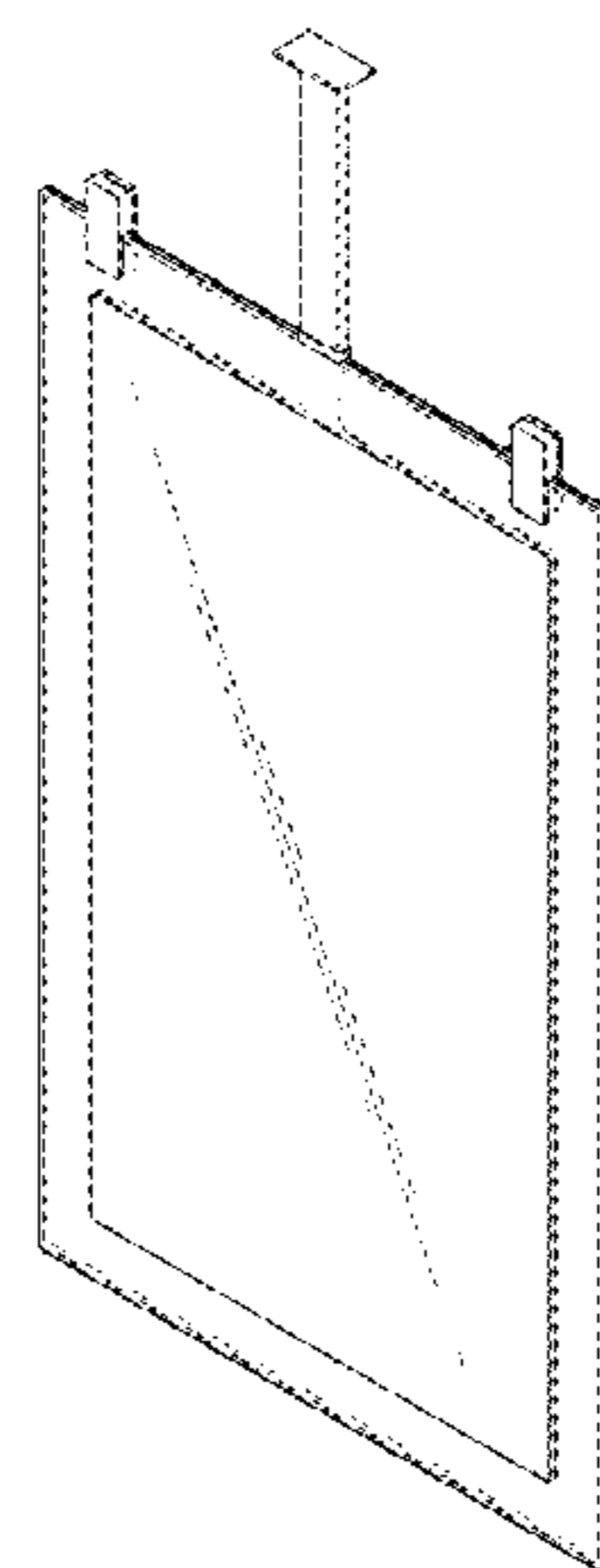
USPC ..... D20/10, 17, 39, 42, 99; D10/109.2, D10/113.4; D14/126, 307, 371

CPC ..... G09F 7/00; G09F 7/08; G09F 7/18; G09F 7/20; G09F 9/00; G09F 9/35; G09F 13/00; G09F 15/00; G09F 15/02; G09F 2013/1845; G09F 2013/1877; A47G 1/1686; E04B 9/18; E05D 15/0634

See application file for complete search history.

- 1. Digital signage
- 1.1 : Perspective
- 1.2 : Front
- 1.3 : Back
- 1.4 : Left
- 1.5 : Right
- 1.6 : Top
- 1.7 : Bottom
- 1.8 : Perspective shown in use

(Continued)



The broken lines shown in the drawings depict portions of the digital signage that form no part of the claimed design. The wires shown in view 1.8 form no part of the claimed design.

**1 Claim, 7 Drawing Sheets**

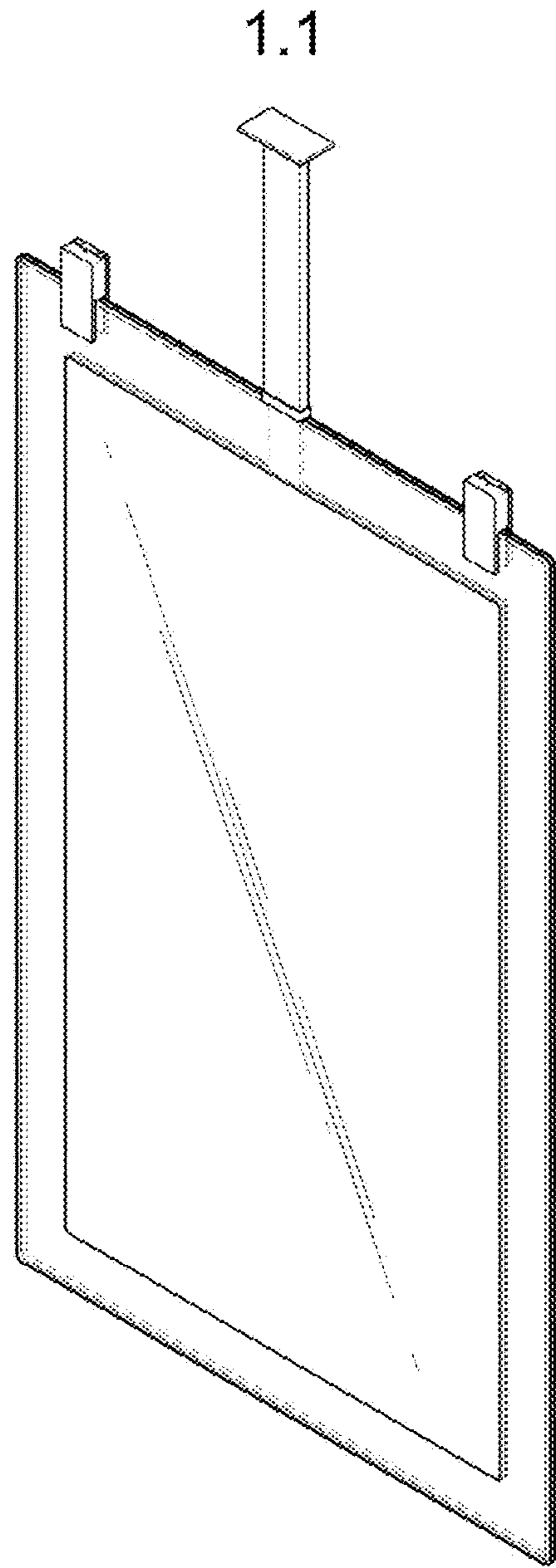
(56)

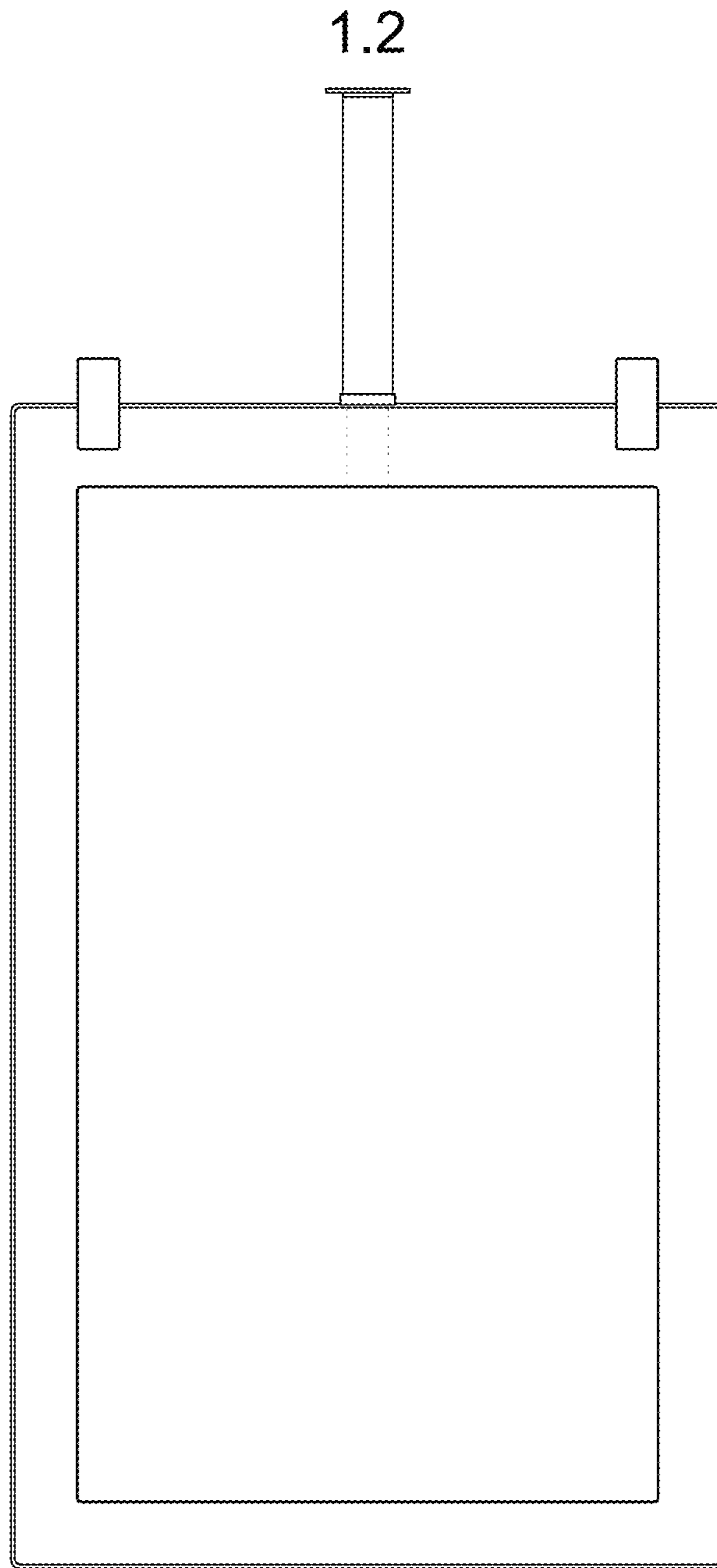
**References Cited**

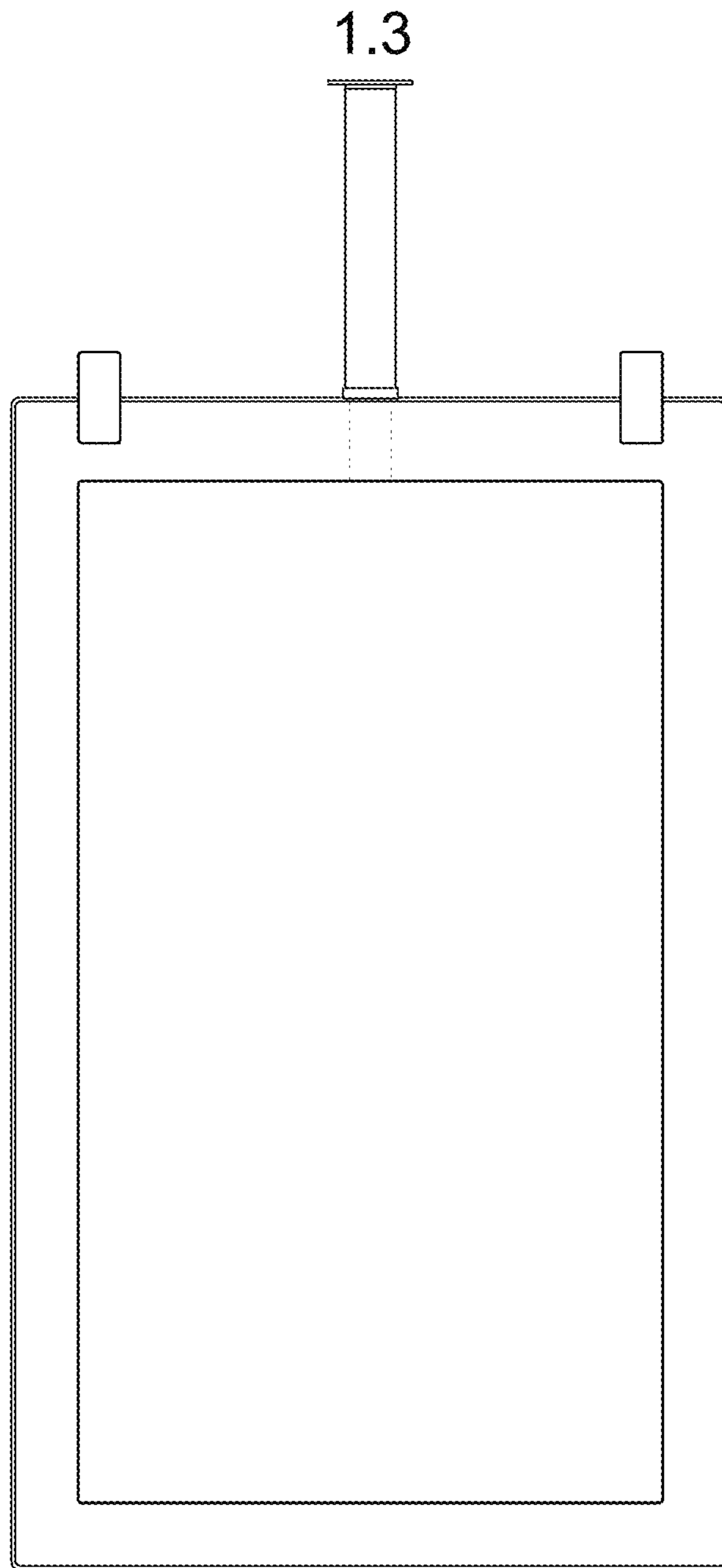
U.S. PATENT DOCUMENTS

2008/0283708	A1 *	11/2008	Bernard .....	E04B 9/18 248/343
2011/0099866	A1 *	5/2011	Pitcher .....	G09F 7/20 40/611.01
2013/0145662	A1 *	6/2013	Clark .....	G09F 7/18 40/617

\* cited by examiner







1.4



1.5



1.6



1.7





1.8

