



US00D852273S

(12) **United States Design Patent** (10) **Patent No.:** **US D852,273 S**
Lim et al. (45) **Date of Patent:** **** Jun. 25, 2019**

(54) **DIGITAL SIGNAGE**

(56) **References Cited**

(71) Applicant: **LG ELECTRONICS INC.**, Seoul (KR)

U.S. PATENT DOCUMENTS

(72) Inventors: **Jaewon Lim**, Seoul (KR); **Junghan Ryu**, Seoul (KR); **Younghun Jang**, Seoul (KR)

4,985,809 A * 1/1991 Matsui G02B 6/0041
362/624
D335,310 S * 5/1993 Kurnow D16/221
D350,566 S * 9/1994 Pearson E01F 9/669
D20/40
D631,046 S * 1/2011 Chien D14/371
D639,086 S * 6/2011 Curbbun D20/10
8,230,628 B2 * 7/2012 Recker E01F 9/669
40/606.14

(73) Assignee: **LG Electronics Inc.**, Seoul (KR)

(**) Term: **15 Years**

* cited by examiner

(21) Appl. No.: **35/504,270**

Primary Examiner — Mary Ann Calabrese

(22) Filed: **Jul. 4, 2017**

(74) *Attorney, Agent, or Firm* — Birch, Stewart, Kolasch & Birch, LLP

(80) **Hague Agreement Data**

Int. Filing Date: **Jul. 4, 2017**
Int. Reg. No.: **DM/096851**
Int. Reg. Date: **Jul. 4, 2017**
Int. Reg. Pub. Date: **Jan. 5, 2018**

(57) **CLAIM**

The ornamental design for a digital signage, as shown and described.

(30) **Foreign Application Priority Data**

Jan. 5, 2017 (KR) 30-2017-0000741

(51) **LOC (11) Cl.** **20-03**

(52) **U.S. Cl.**
USPC **D20/39**

(58) **Field of Classification Search**
USPC D20/10, 17, 39, 42, 99; D10/109.2,
D10/113.4; D14/126, 307, 371
CPC G09F 7/00; G09F 7/08; G09F 7/18; G09F
7/20; G09F 9/00; G09F 9/35; G09F
13/00; G09F 15/00; G09F 15/02; G09F
2013/1845; G09F 2013/1877; A47G
1/1686; E04B 9/18; E05D 15/0634

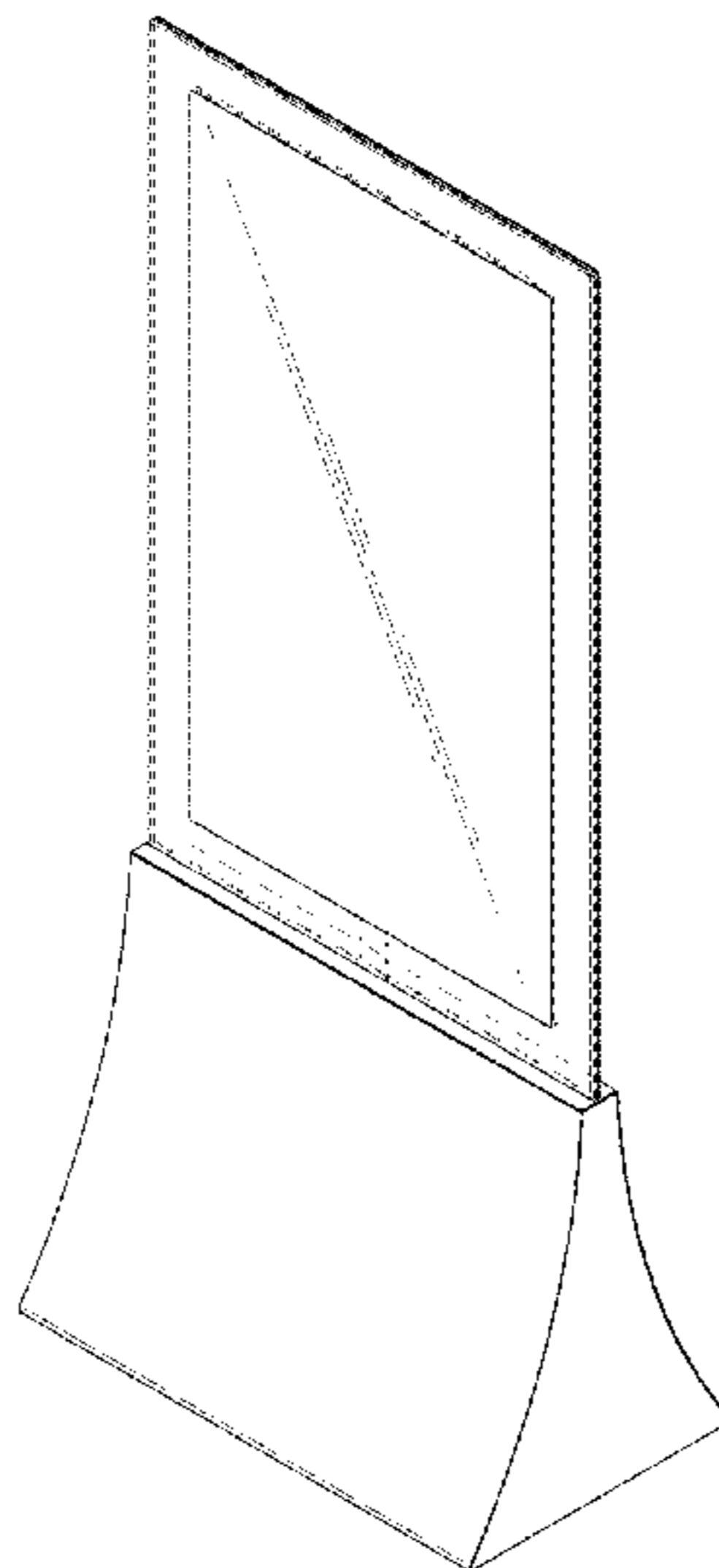
See application file for complete search history.

DESCRIPTION

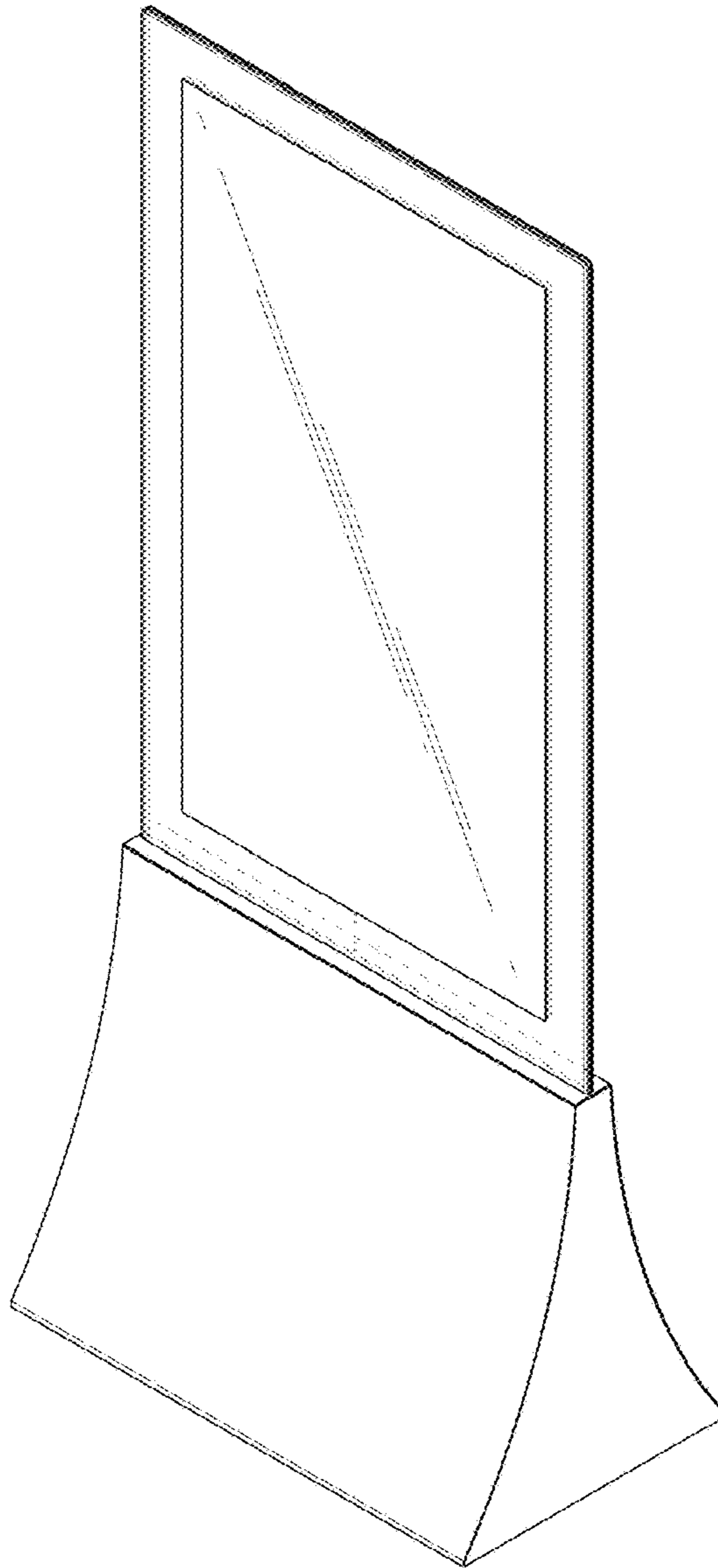
- 1. Digital signage
- 1.1 : Perspective
- 1.2 : Front
- 1.3 : Back
- 1.4 : Left
- 1.5 : Right
- 1.6 : Top
- 1.7 : Bottom

The broken lines shown in the figures depict portions of the digital signage that form no part of the claimed design.

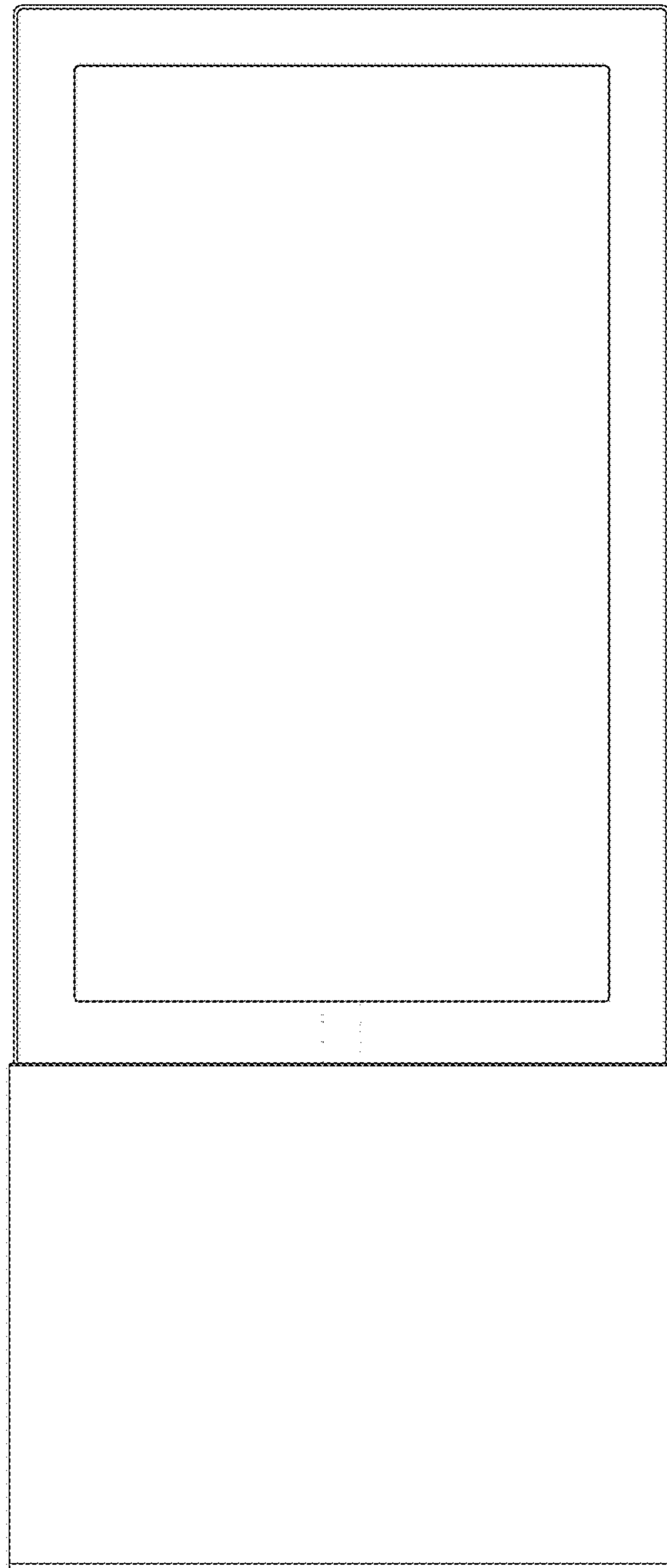
1 Claim, 7 Drawing Sheets



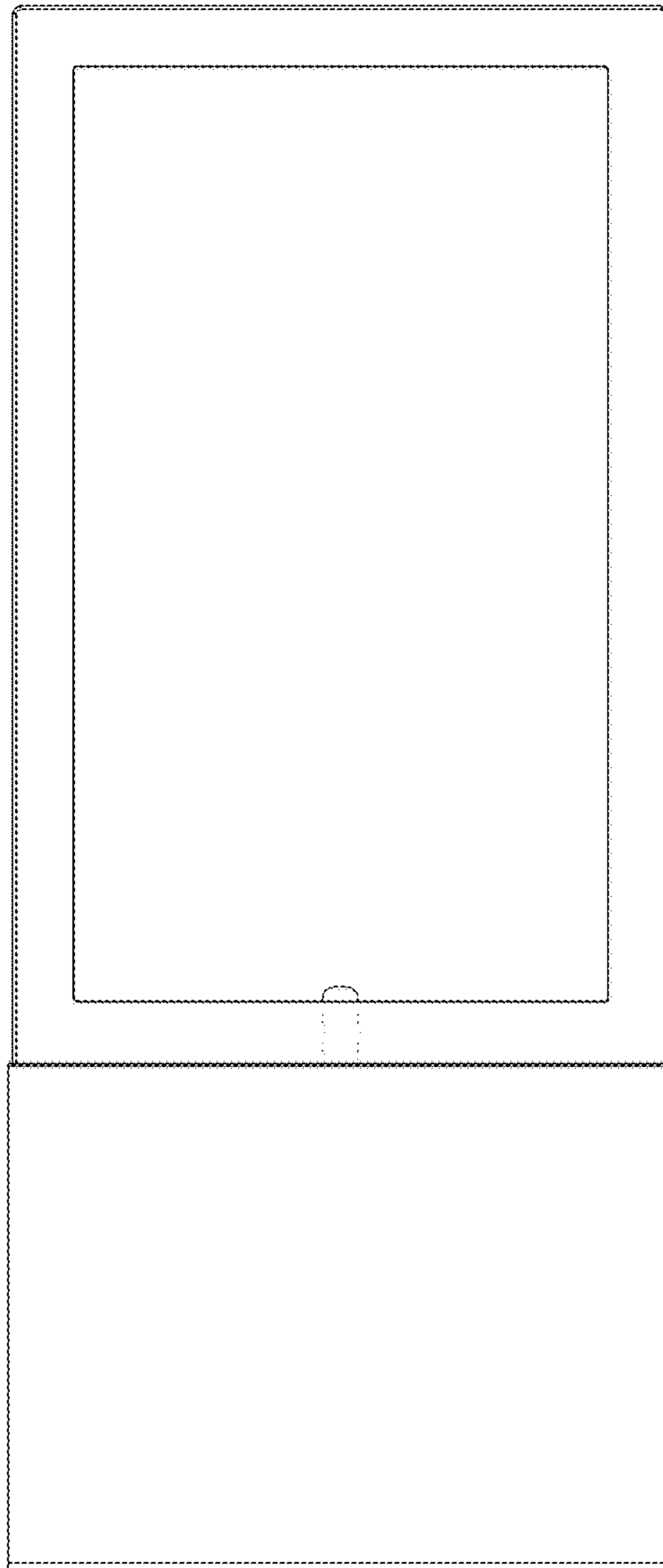
1.1

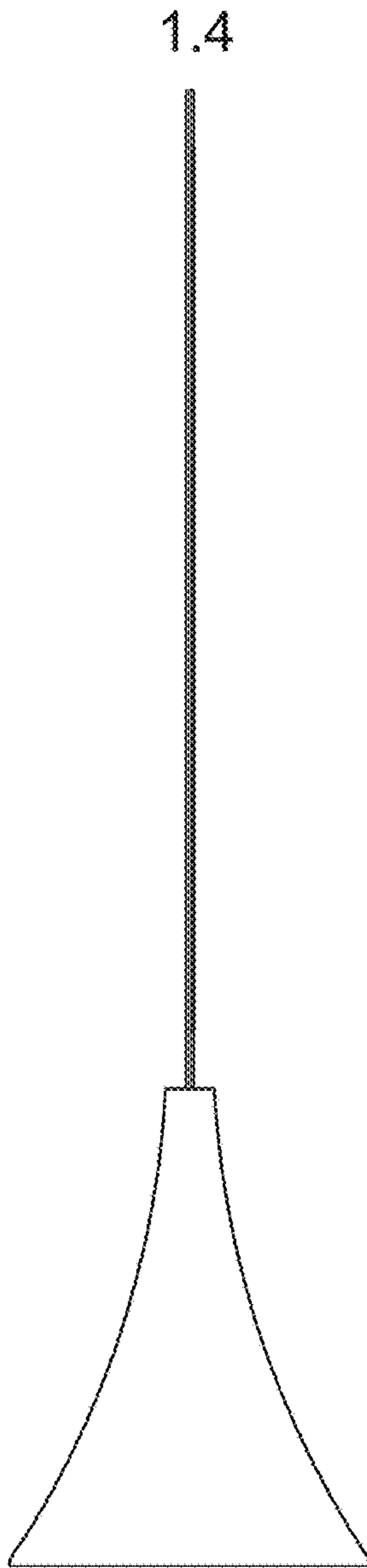


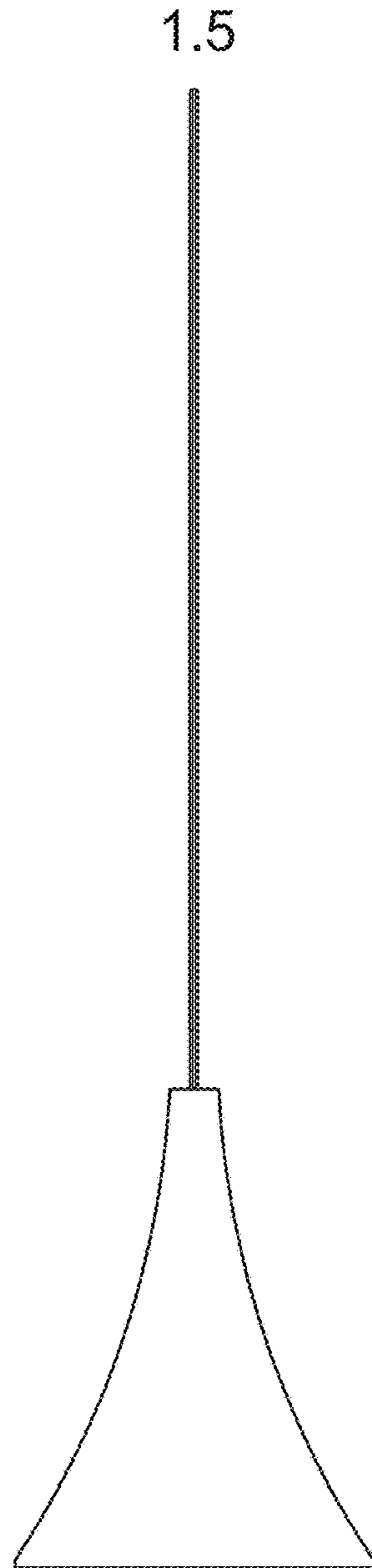
1.2



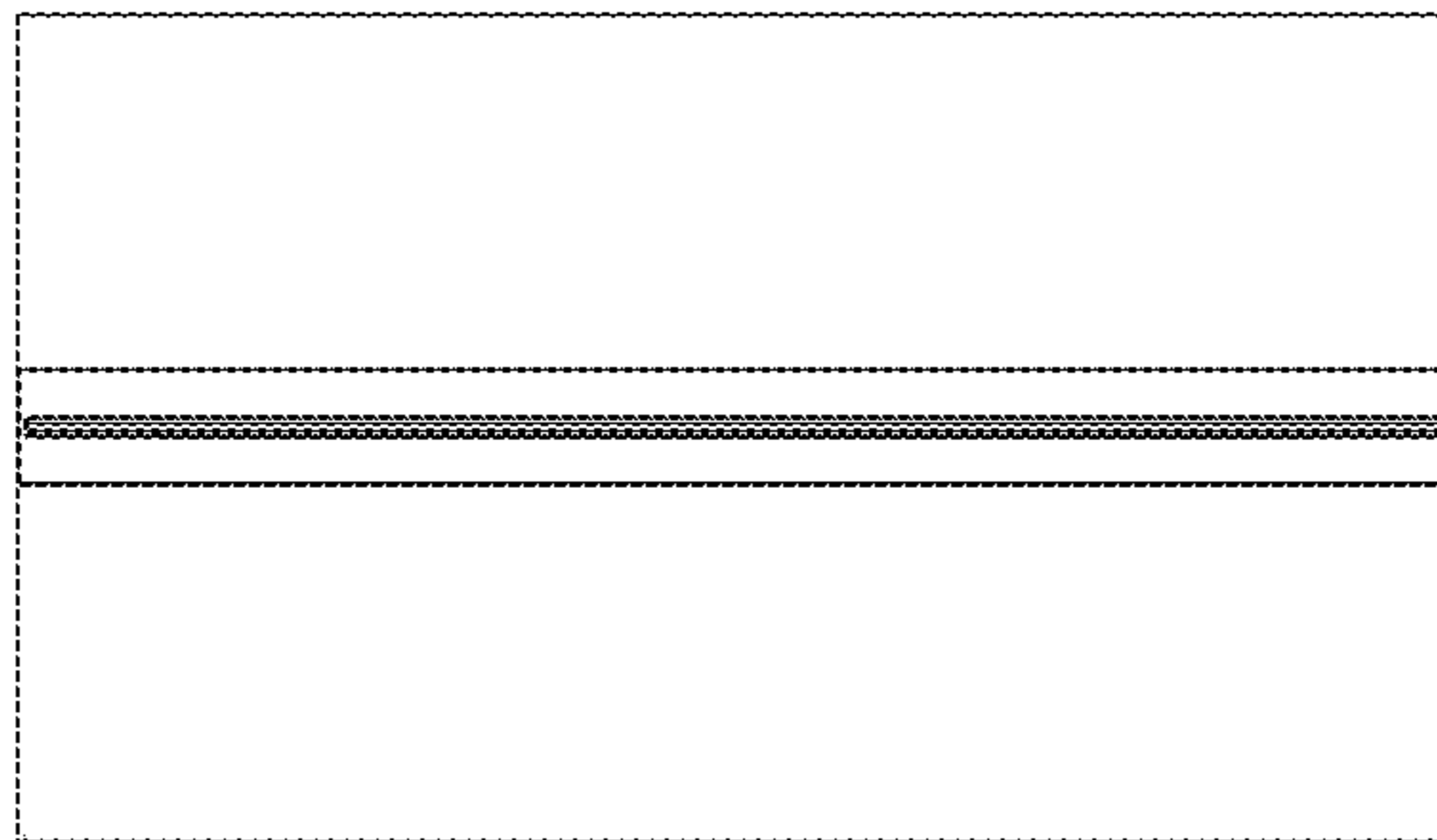
1.3







1.6



1.7

