



US00D852271S

(12) **United States Design Patent**
Artemov

(10) **Patent No.:** **US D852,271 S**
(45) **Date of Patent:** **** Jun. 25, 2019**

(54) **DIAMOND FOR MAKING PAINTINGS**

(71) Applicant: **Aleksandr Valerievich Artemov,**
Moscow (RU)

(72) Inventor: **Aleksandr Valerievich Artemov,**
Moscow (RU)

(**) Term: **15 Years**

(21) Appl. No.: **29/609,699**

(22) Filed: **Jul. 4, 2017**

(30) **Foreign Application Priority Data**

May 31, 2017 (RU) 2017502523

(51) **LOC (11) Cl.** **19-06**

(52) **U.S. Cl.**
USPC **D19/108; D11/90**

(58) **Field of Classification Search**
USPC D11/35, 89, 90; D19/101–108;
D21/389, 390, 488, 491
CPC A44C 17/00; A44C 17/001; A44C 17/002;
A44C 17/007
See application file for complete search history.

(56) **References Cited**

U.S. PATENT DOCUMENTS

D55,512 S * 6/1920 Heller D11/90
2,265,316 A * 12/1941 Schenck A44C 17/001
63/32

3,195,895 A * 7/1965 Kropinski A63F 9/0098
273/146
D262,200 S * 12/1981 Kirwan D11/90
D262,804 S * 1/1982 Gleason D11/90
D490,741 S * 6/2004 Shimansky D11/90
7,225,642 B2 * 6/2007 Katz A44C 17/001
63/32
D547,230 S * 7/2007 Unterbrunner D11/90
D596,069 S * 7/2009 Peled D11/90
D706,668 S * 6/2014 Ambar D11/90
D743,295 S * 11/2015 Ambar D11/90
D757,598 S * 5/2016 Ambar D11/90
D763,723 S * 8/2016 Ambar D11/90
D814,337 S * 4/2018 Haiblik D11/90

* cited by examiner

Primary Examiner — Elizabeth A. Albert

(74) *Attorney, Agent, or Firm* — Inventa Capital PLC

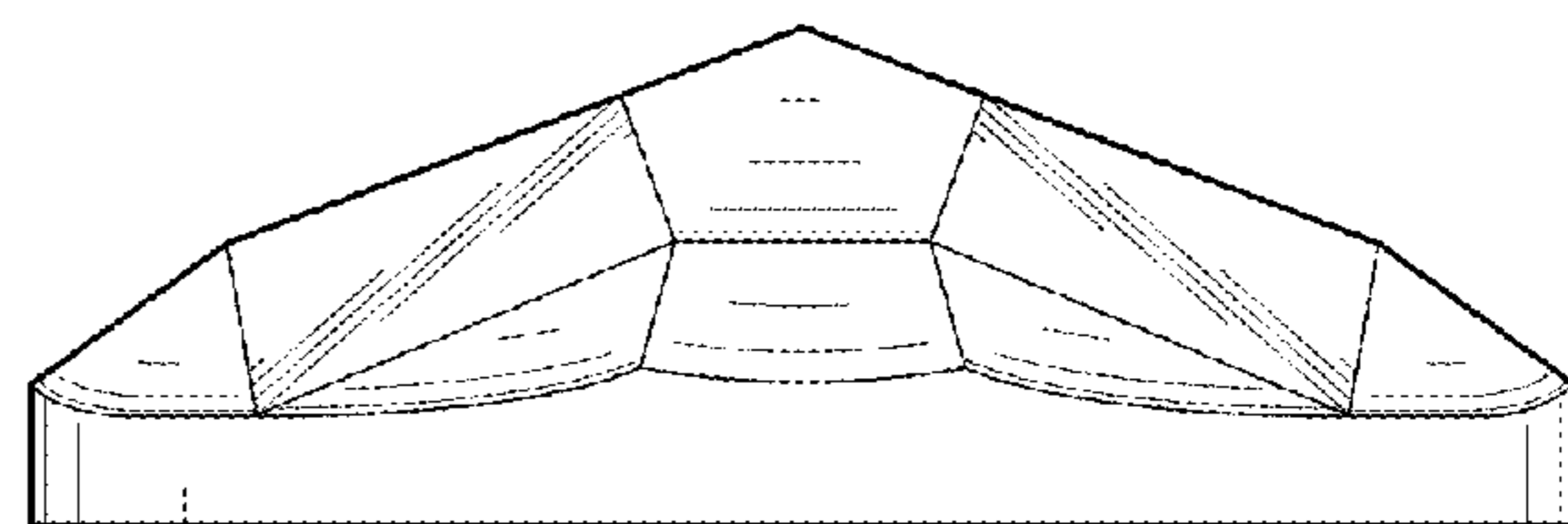
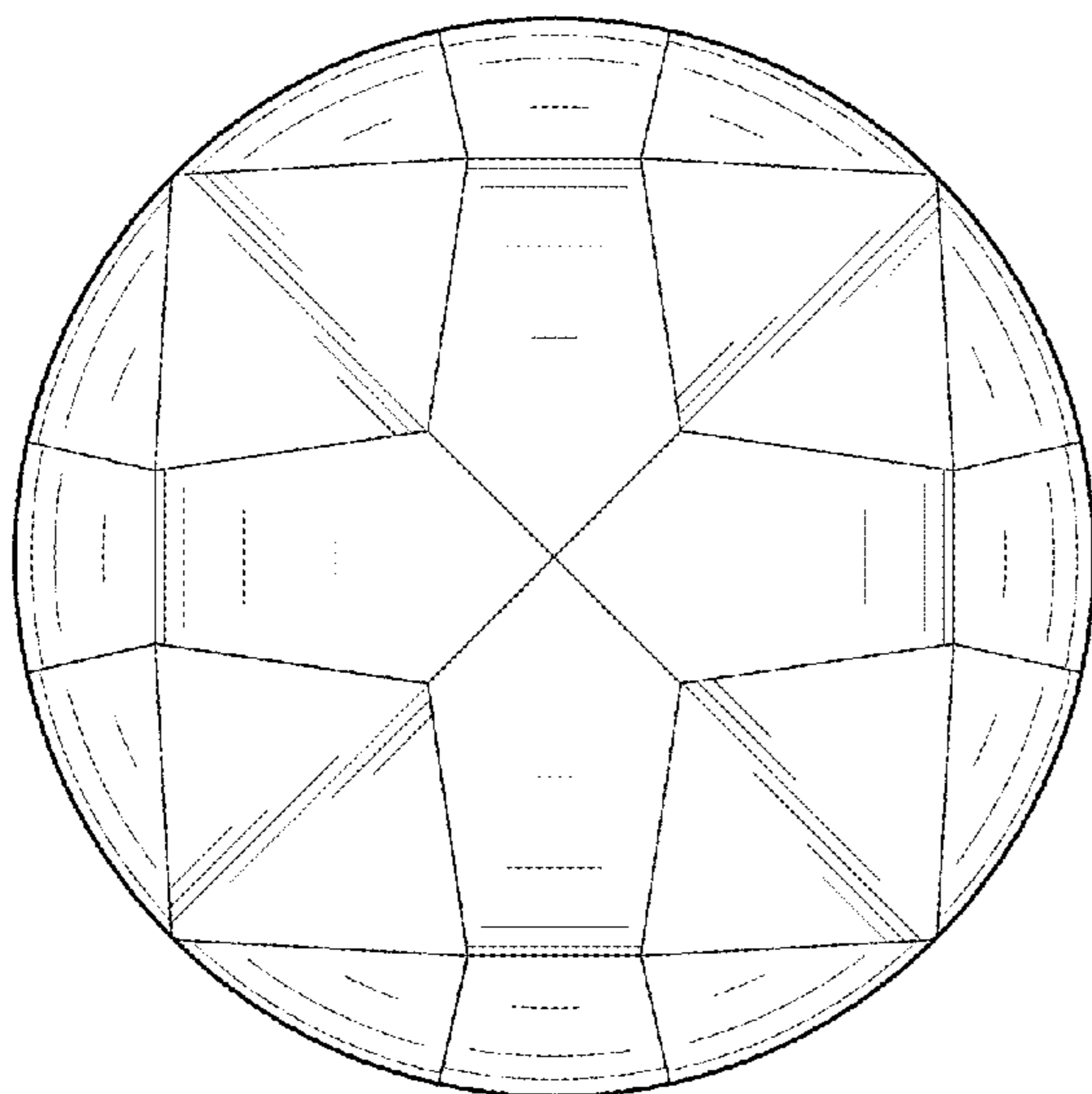
(57) **CLAIM**

I claim the ornamental design for a diamond for making paintings, as shown and described.

DESCRIPTION

FIG. 1 is a perspective view of a diamond for making paintings showing my new design;
FIG. 2 is a top plan view thereof;
FIG. 3 is a front elevation view thereof;
FIG. 4 is a rear elevation view thereof;
FIG. 5 is a right side elevation view thereof;
FIG. 6 is a left side elevation view thereof; and,
FIG. 7 is a bottom plan view thereof.

1 Claim, 2 Drawing Sheets



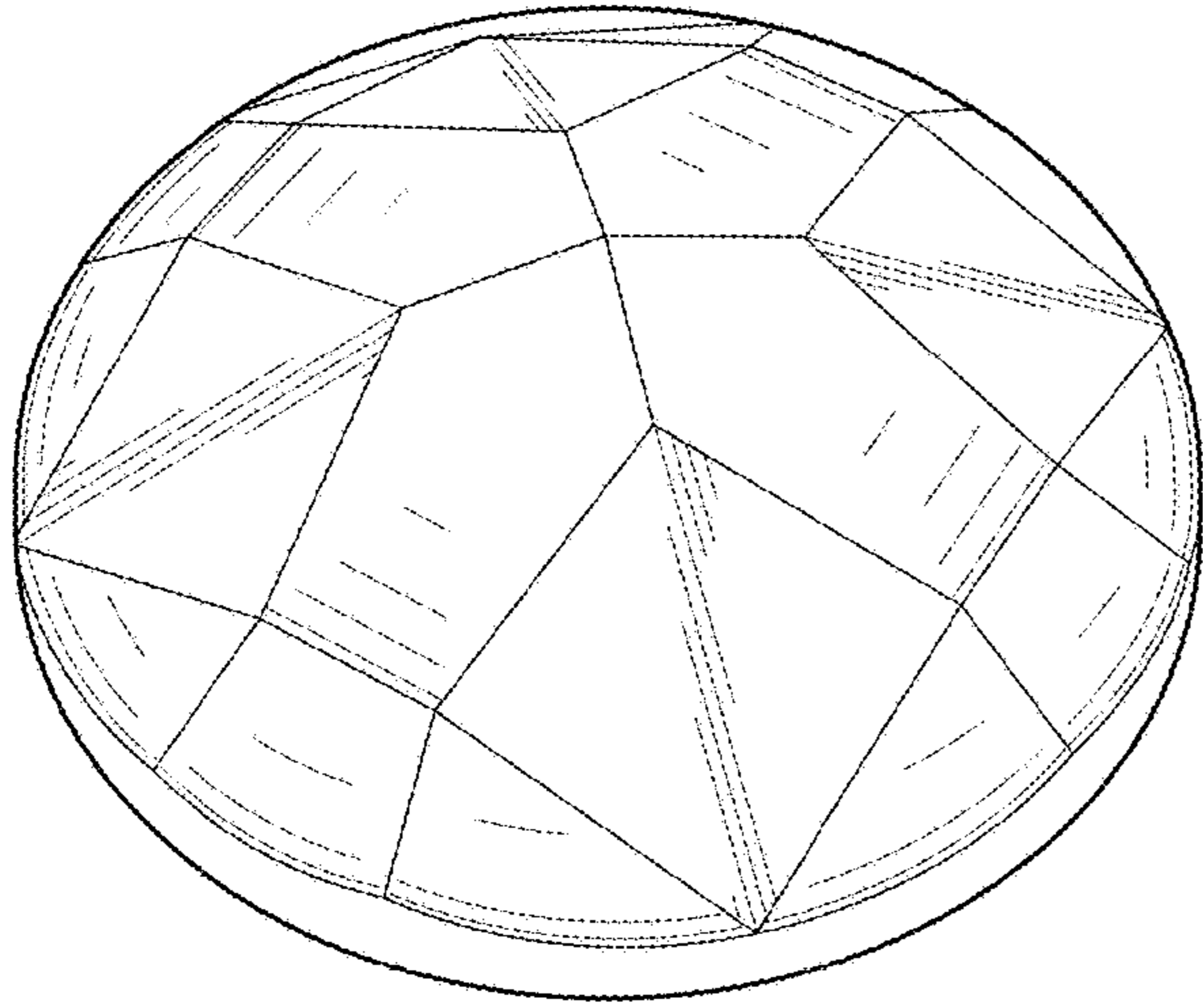


FIG. 1

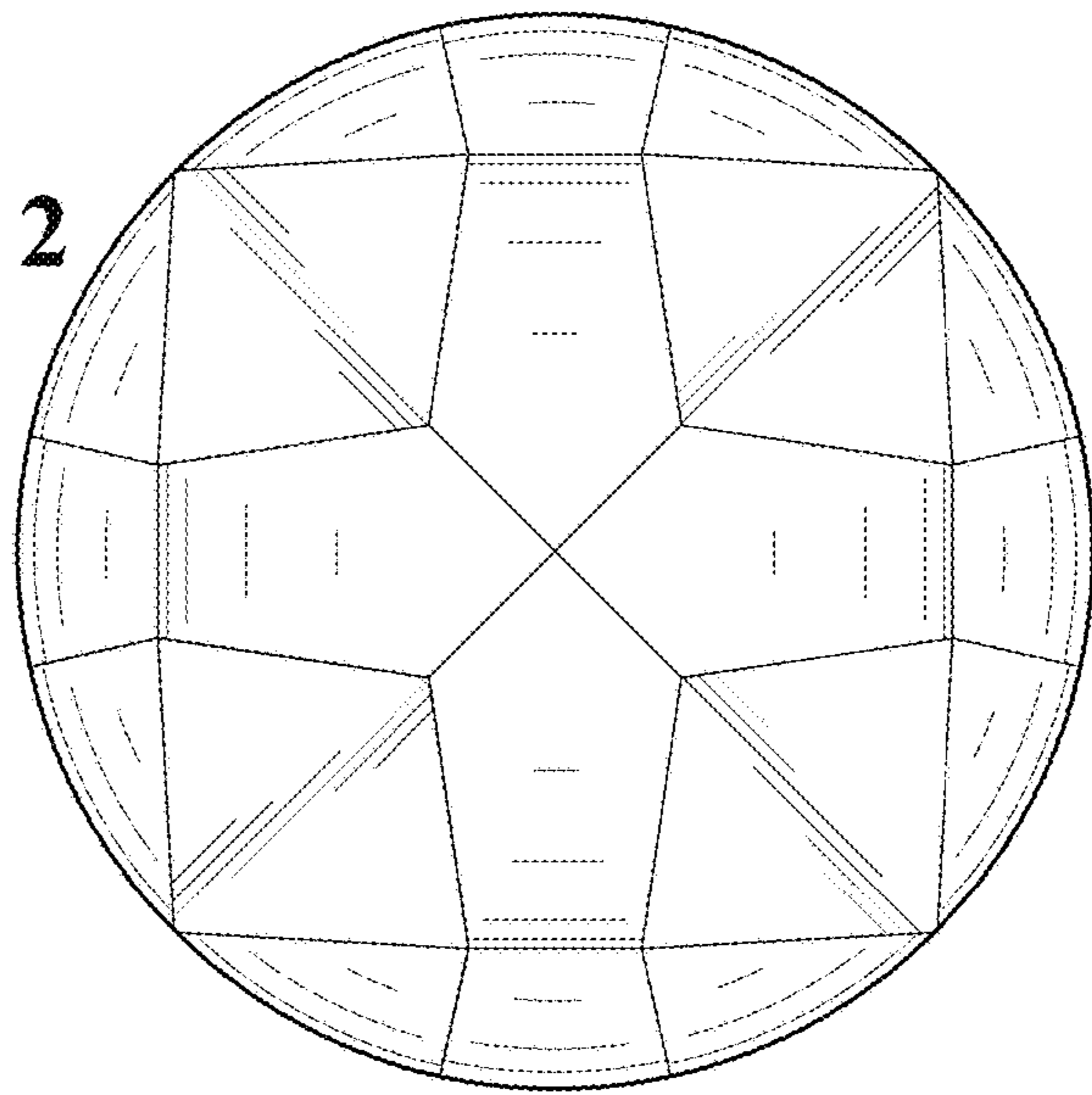


FIG. 2

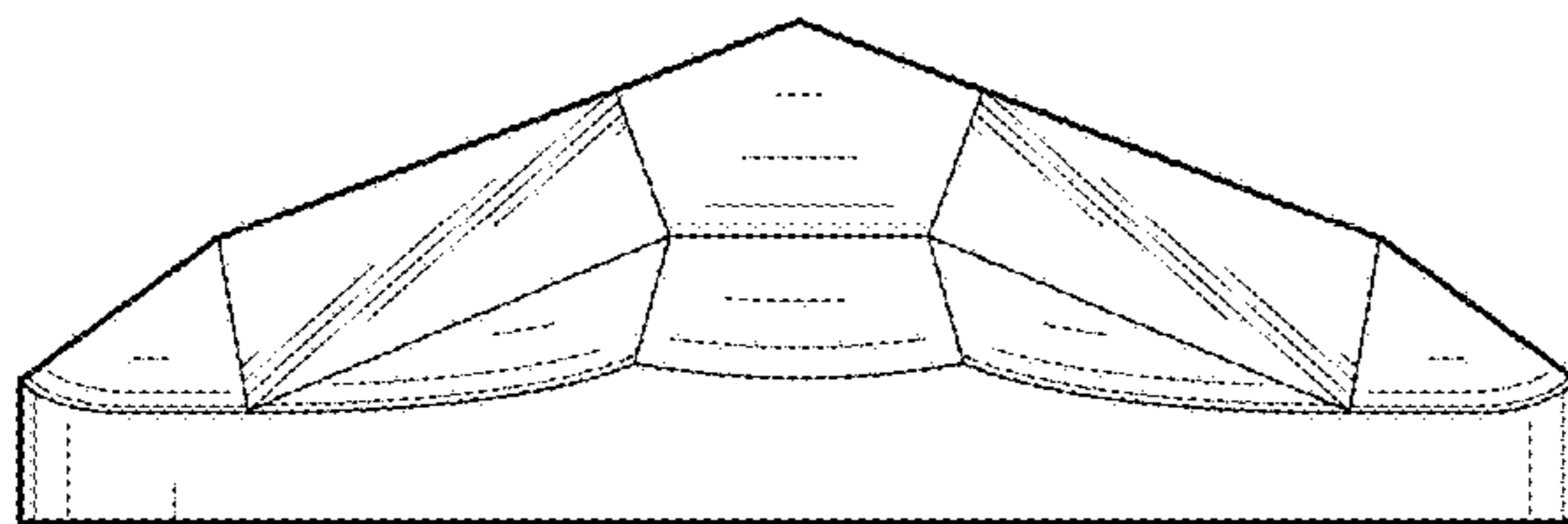


FIG. 3

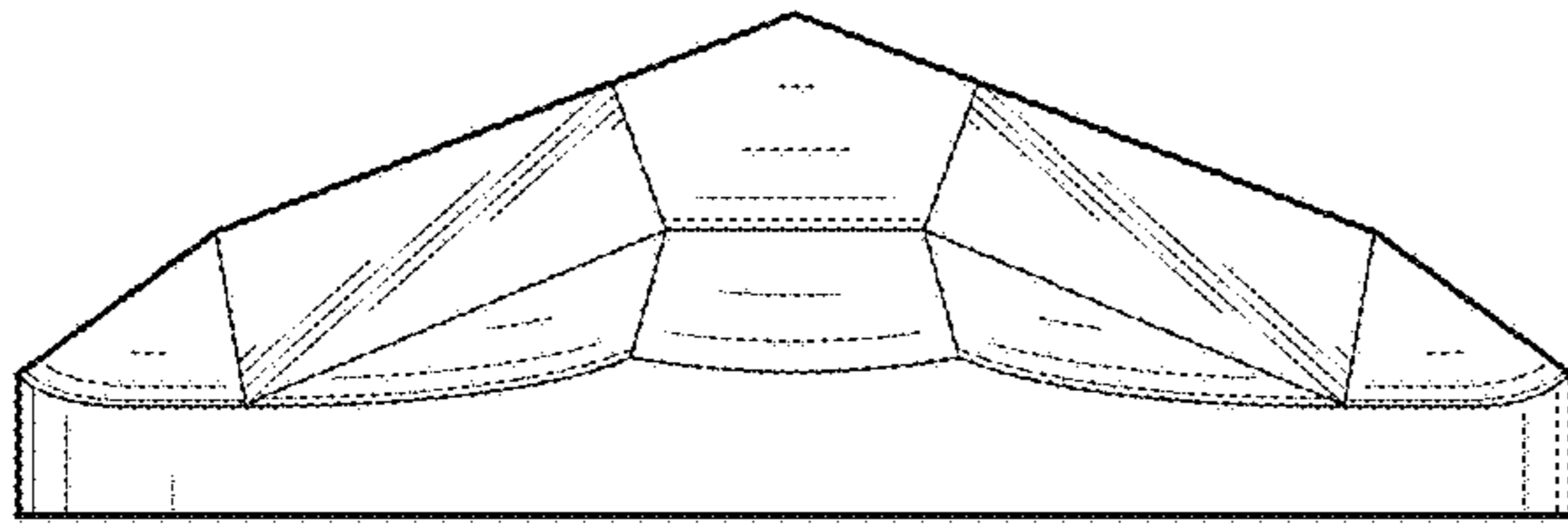


FIG. 4

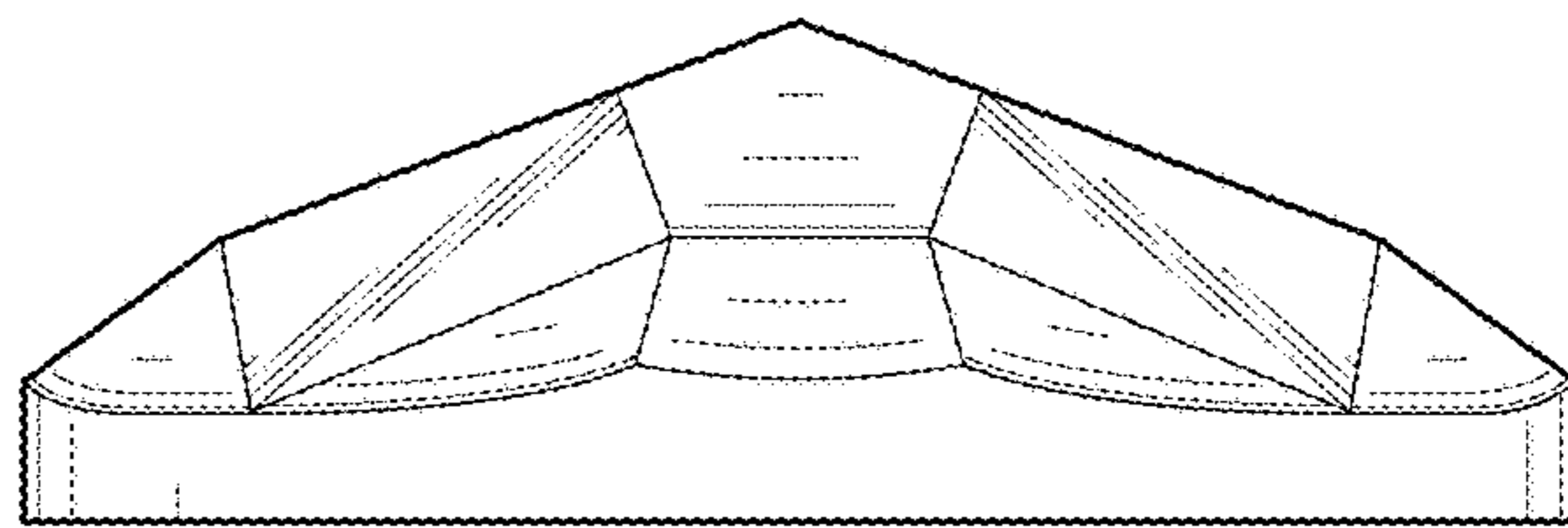


FIG. 5

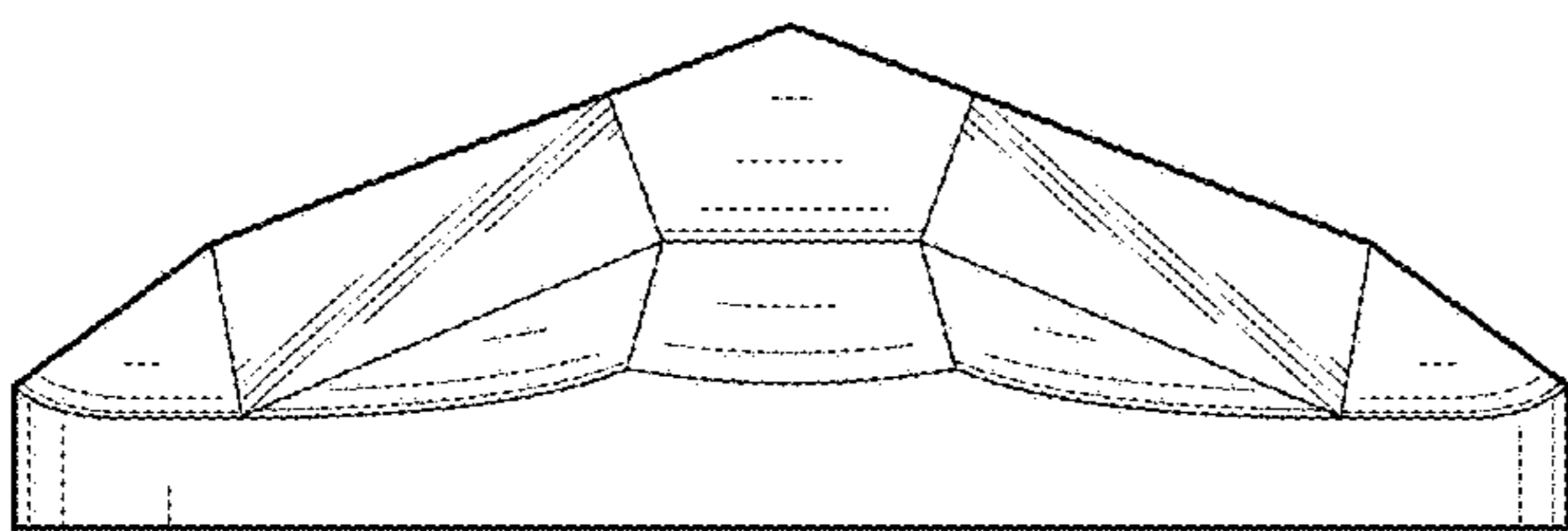


FIG. 6

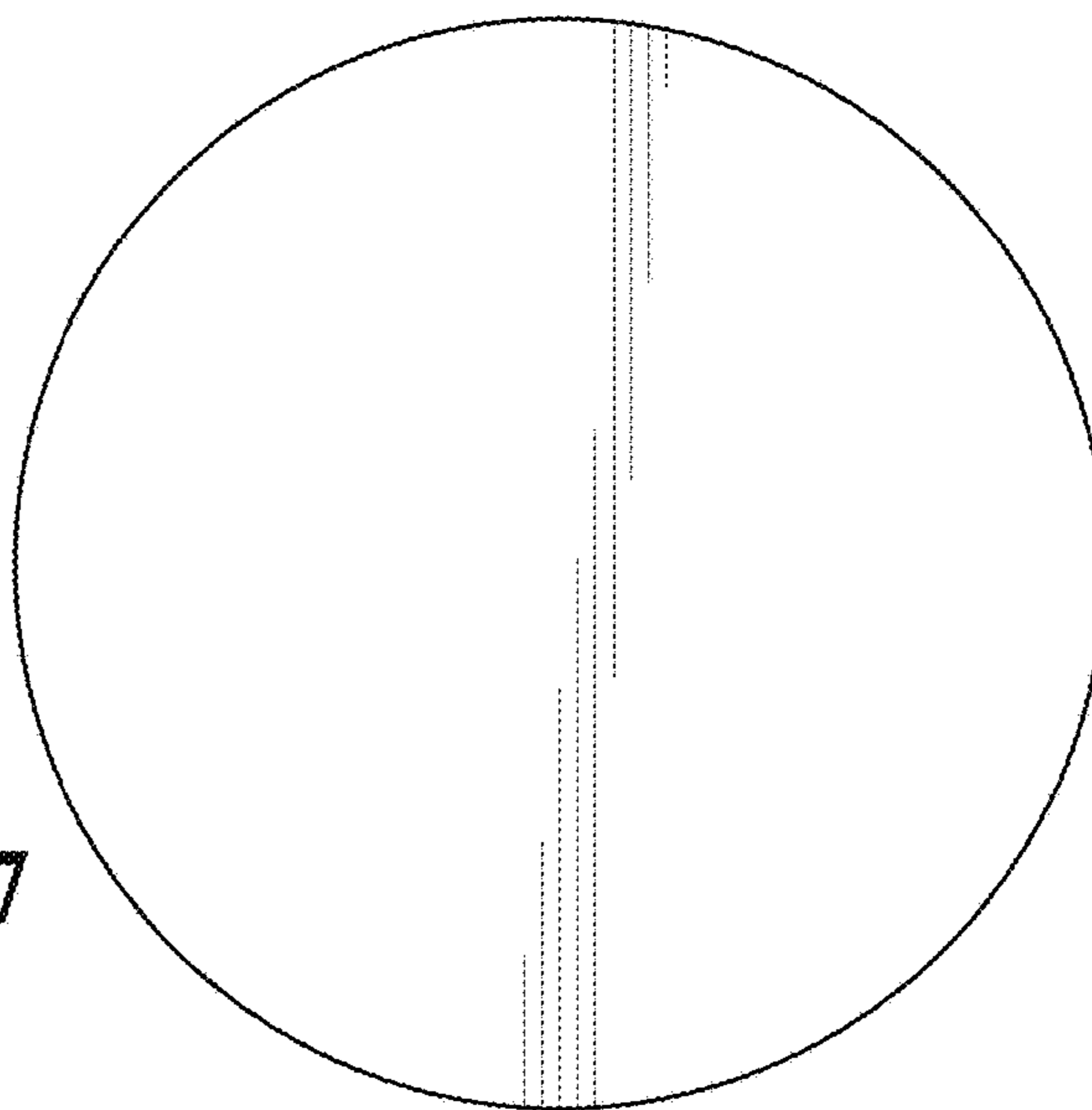


FIG. 7