



US00D852269S

(12) **United States Design Patent**
Umezawa et al.

(10) **Patent No.:** **US D852,269 S**
(45) **Date of Patent:** **** Jun. 25, 2019**

(54) **CUTTING PLOTTER**

FOREIGN PATENT DOCUMENTS

(71) Applicant: **Graphtec Corporation**, Kanagawa (JP)

EM 002727743-0001 * 7/2015
EM 003397710-0001 * 11/2016

(72) Inventors: **Takahisa Umezawa**, Kanagawa (JP);
Kazuhiro Watanabe, Kanagawa (JP)

(Continued)

(73) Assignee: **Graphtec Corporation**, Kanagawa (JP)

OTHER PUBLICATIONS

(**) Term: **15 Years**

Ali Express. <URL: <https://tr.aliexpress.com/item/SK-375T-mini-plotter-cutter-Mini-Desktop-Portable-Cutting-Plotter-plotter-cut-4MB/32813433458.html>> Visited Mar. 22, 2018. Kesim Plotter.*

(21) Appl. No.: **29/579,278**

(Continued)

(22) Filed: **Sep. 29, 2016**

Primary Examiner — Bridget L Eland

(51) **LOC (11) Cl.** **18-04**

Assistant Examiner — Lauren D McVey

(52) **U.S. Cl.**

(74) *Attorney, Agent, or Firm* — Meyertons, Hood, Kivlin, Kowert & Goetzl, P.C.; Marc R. DeLuca

USPC **D18/34.3**; D18/50; D15/127

(58) **Field of Classification Search**

(57) **CLAIM**

USPC D18/34.1, 34.2, 34.3, 34.4, 34.5, 34.6,
D18/34.7, 34.8, 34.9, 50; D15/127

The ornamental design for a cutting plotter, as shown and described.

CPC B26D 2007/005; B26D 2007/0087; B26D
2001/0053; B26D 1/025; B26D 1/035;
B26D 1/045; B26D 1/065; B26D 1/08;
B26D 1/085; B26D 1/10; B26D 1/105;
B26D 1/125; B26D 1/147; B26D 1/1475;
B26D 1/15; B26D 1/151; B26D 1/153;
B26D 1/1535; B26D 1/185; B26D 1/305;
B26D 1/34; B26D 1/345; B26D 1/36;
B26D 1/365; B26D 1/38; B26D 1/385;
B26D 1/56; B26D 1/565; B26D 1/58;
B26D 1/585; B26D 5/083; B26D 7/015;
B26D 7/025; B26D 7/22; B26D 1/0006;
B26D

DESCRIPTION

FIG. 1 is a front, top and right side perspective view of a cutting plotter; showing our new design in a closed position; FIG. 2 is a front, top and right side perspective view of the cutting plotter of FIG. 1, shown in an open position in order to show aspects of the design not otherwise apparent; FIG. 3 is a front elevation view of the cutting plotter of FIG. 1; FIG. 4 is a rear elevational view thereof; FIG. 5 is a top plan view thereof; FIG. 6 is a bottom plan view thereof; FIG. 7 is a right side elevational view thereof; and, FIG. 8 is a left side elevational view thereof.

(Continued)

The broken lines immediately adjacent the shaded areas represent the bounds of the claimed design while all other broken lines are directed to environment and are for illustrative purposes only; the broken lines form no part of the claimed design.

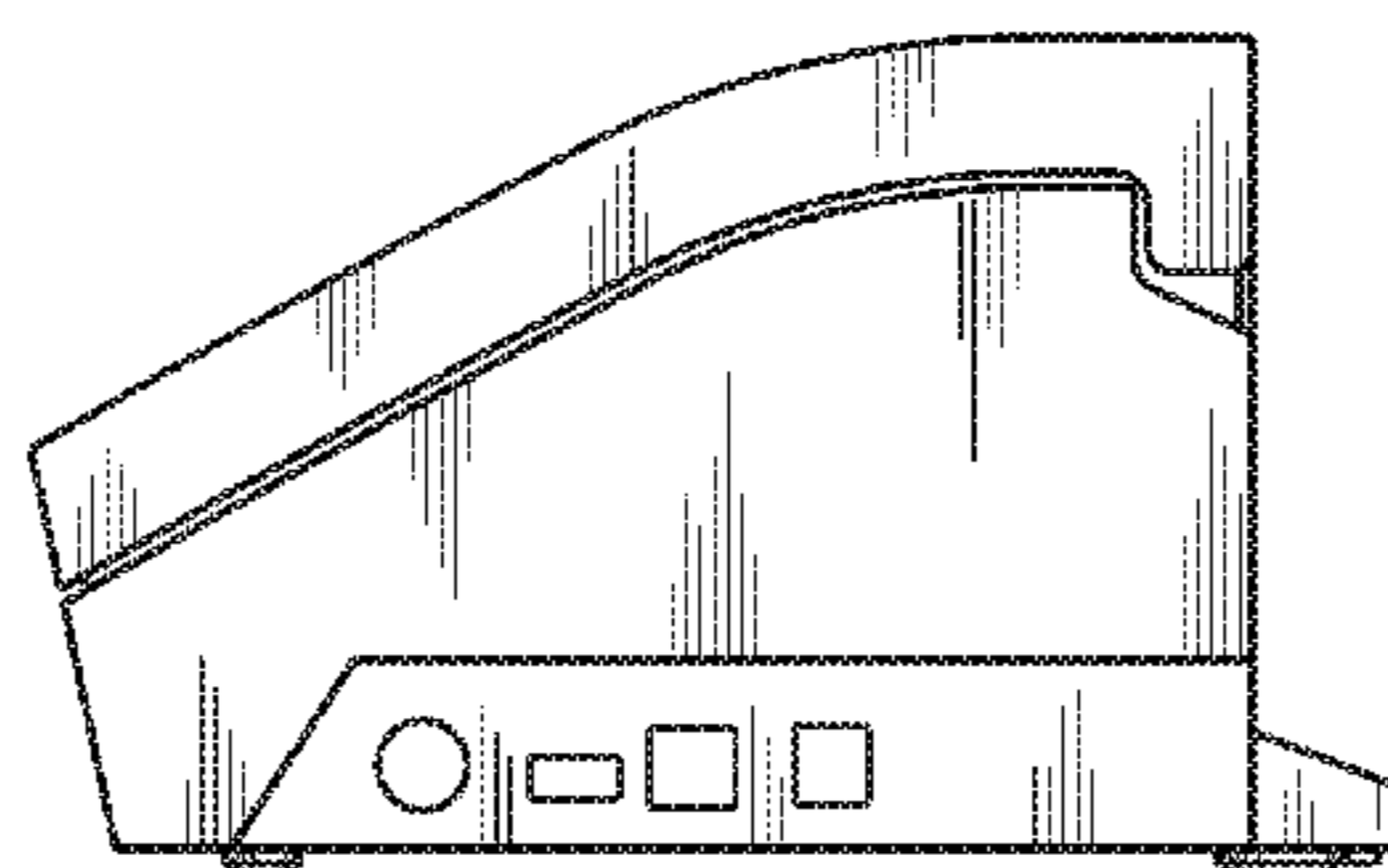
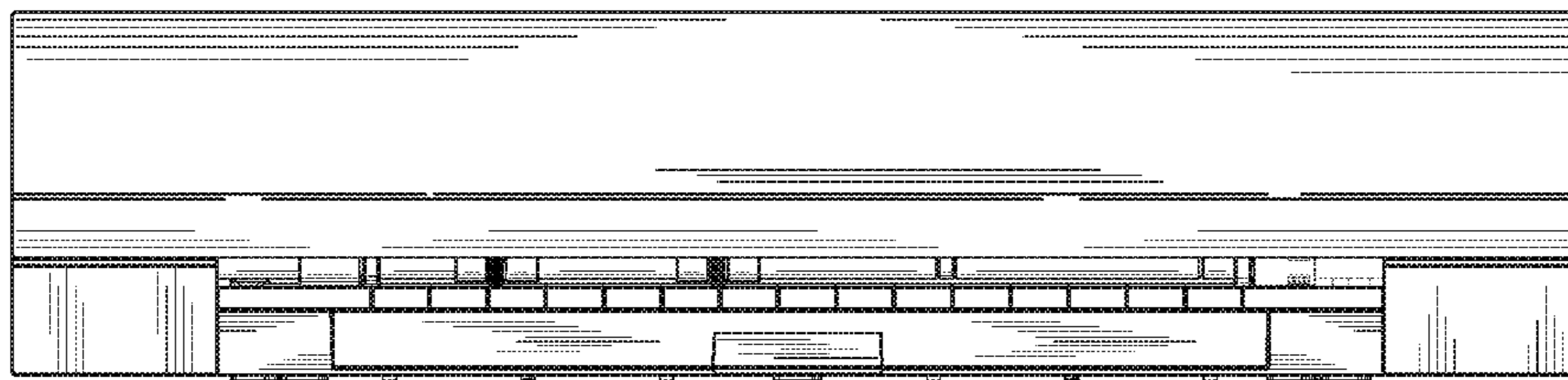
(56) **References Cited**

U.S. PATENT DOCUMENTS

D240,162 S * 6/1976 Matwey D18/36
D295,613 S 5/1988 Tanner

(Continued)

1 Claim, 6 Drawing Sheets



(58) **Field of Classification Search**

CPC 5/16; B26D 7/2614; B23D 35/008; Y10T 83/7763; Y10T 83/8822; Y10T 83/885; Y10T 83/8851; Y10T 83/7507; Y10T 83/8874; Y10T 83/8814; Y10T 83/9493; Y10T 83/7533; Y10T 83/8821; Y10T 83/828; Y10T 83/872; Y10T 83/8841; Y10S 83/955

See application file for complete search history.

2007/0012152 A1* 1/2007 Workman B26D 7/2628
83/614
2013/0008292 A1 1/2013 Kawaguchi et al.
2014/0118804 A1* 5/2014 Tomono H04N 1/00811
358/498
2014/0260854 A1* 9/2014 Tokura B26F 1/3813
83/76.1
2015/0258699 A1* 9/2015 Vander Woude B26D 5/20
83/13
2017/0259450 A1* 9/2017 Oka B26F 1/3813

(56)

References Cited

U.S. PATENT DOCUMENTS

4,886,198 A 12/1989 De Larosiere
D350,075 S 8/1994 Reeder
D374,888 S * 10/1996 Udagawa D18/50
D407,740 S 4/1999 Ina et al.
D483,059 S 12/2003 Goh et al.
6,807,888 B1 * 10/2004 Kiyohara B26D 1/045
346/24
D497,940 S 11/2004 Hwang et al.
7,029,113 B2 4/2006 Hwang
D523,469 S 6/2006 Hwang et al.
D534,204 S 12/2006 Workman et al.
D597,572 S * 8/2009 Tsai D15/146
D680,157 S 4/2013 Umezawa et al.
D696,339 S 12/2013 Hasui et al.
D699,726 S * 2/2014 Seki D14/422
D720,395 S 12/2014 Umezawa et al.
D780,181 S * 2/2017 Peng D14/422
D795,338 S * 8/2017 Umezawa D18/34.3
D802,657 S * 11/2017 Umezawa D18/34.9

FOREIGN PATENT DOCUMENTS

EM 004554905-0001 * 1/2018
EP 1557246 7/2005
JP 05285885 11/1993
JP 06126696 5/1994
JP H08-072489 3/1996
JP 2003-205688 7/2003
JP 2005-205539 8/2005
JP 1345947 12/2008
JP 1447217 7/2012
JP D1556871 * 8/2016
JP D1590786 * 11/2017

OTHER PUBLICATIONS

Graphtec CE6000-60 Vinyl Cutter/Plotter—Cutter motions, noises and LCD Display, Mar. 6, 2013. YouTube <URL: <https://www.youtube.com/watch?v=YT7tgeMHyZs>>.

* cited by examiner

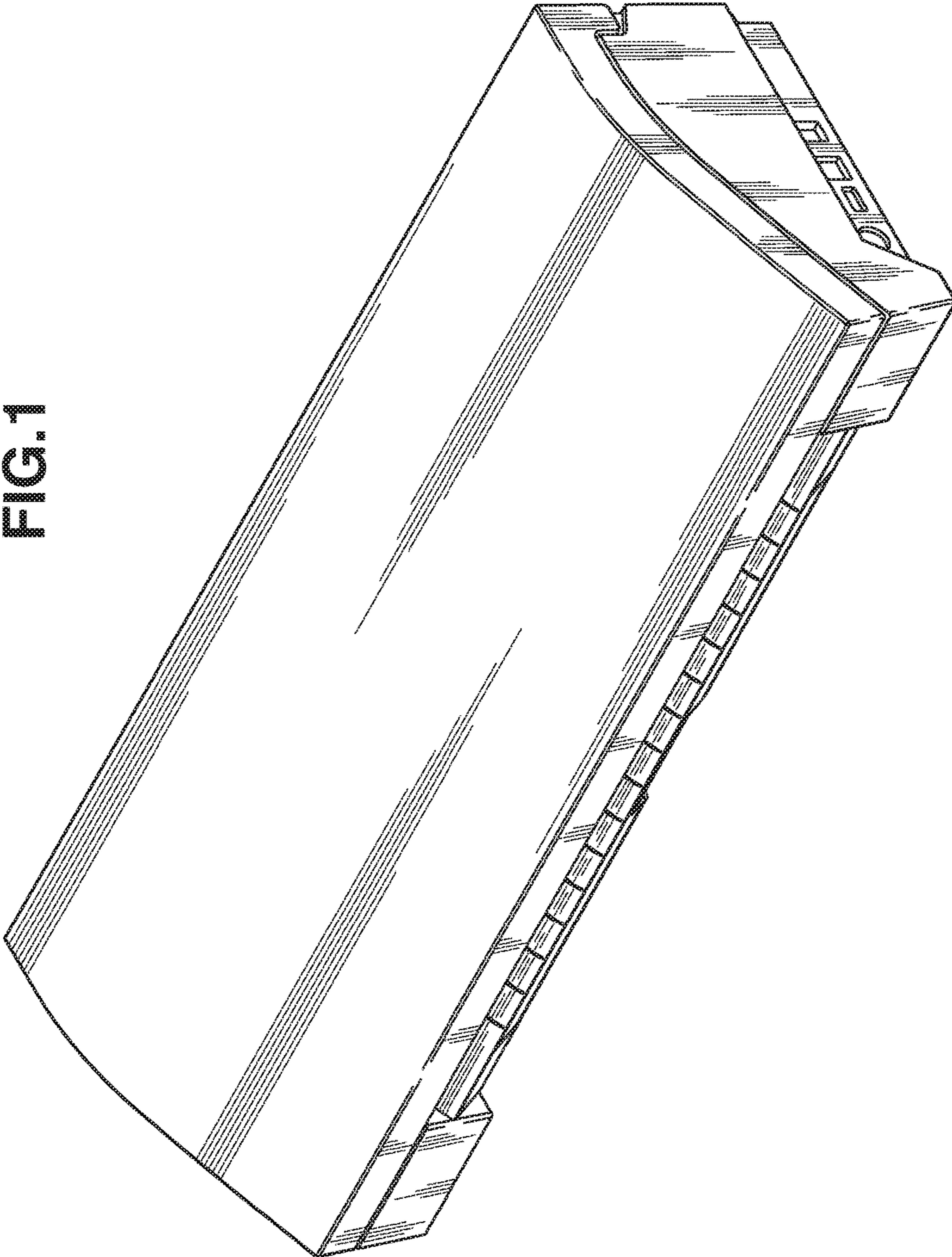


FIG.1

FIG.2

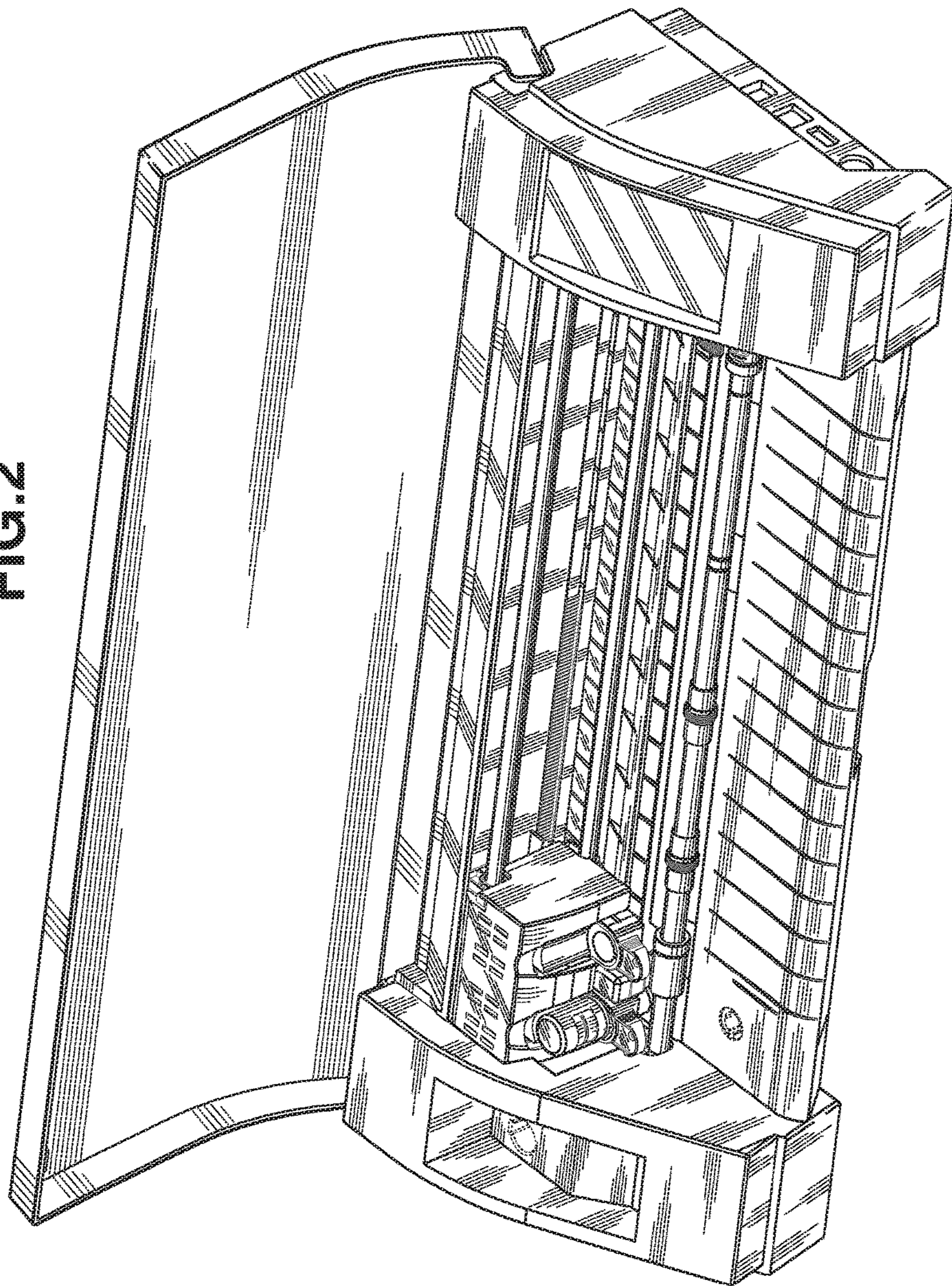


FIG.3

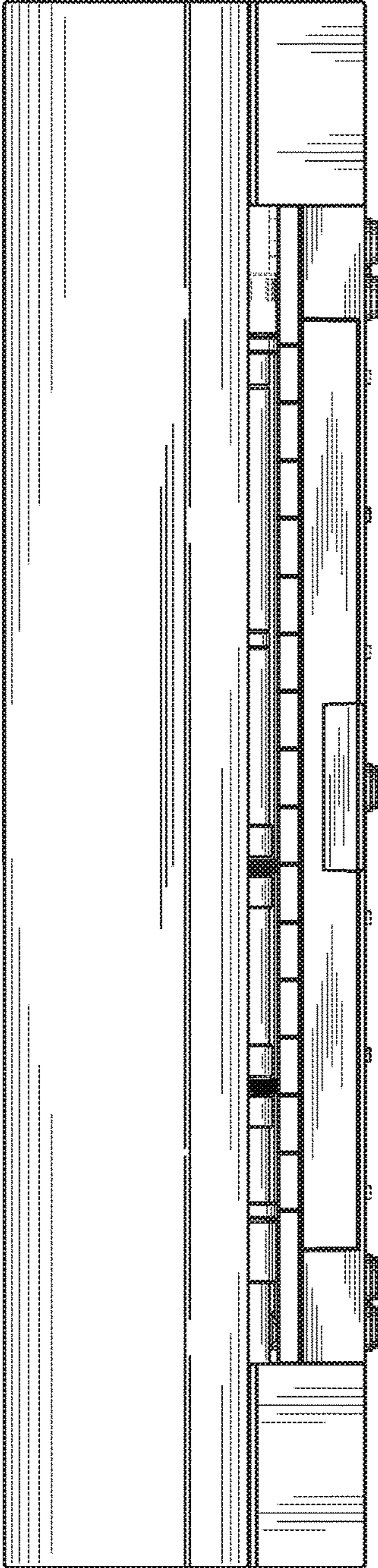


FIG.4

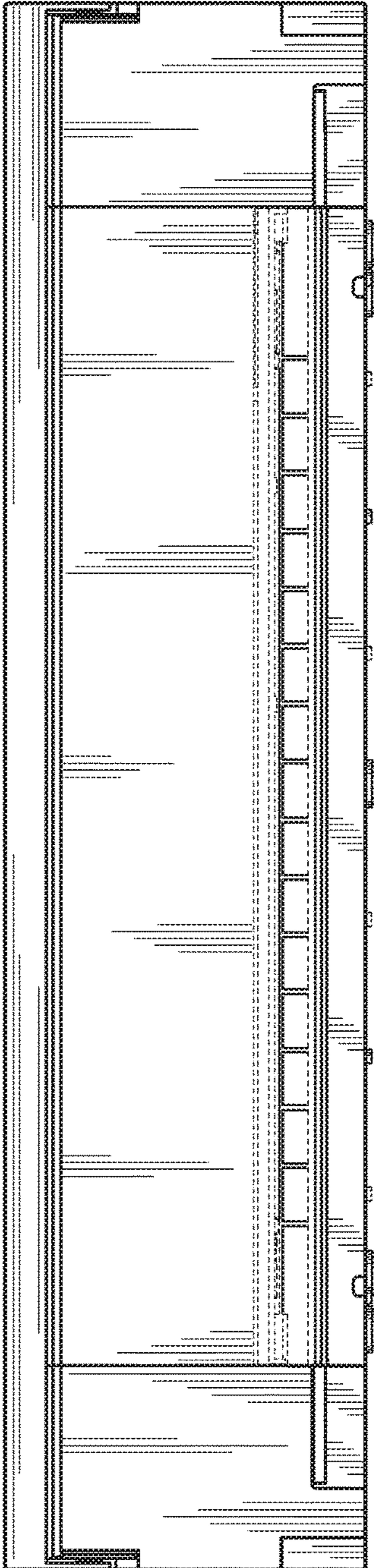


FIG. 5

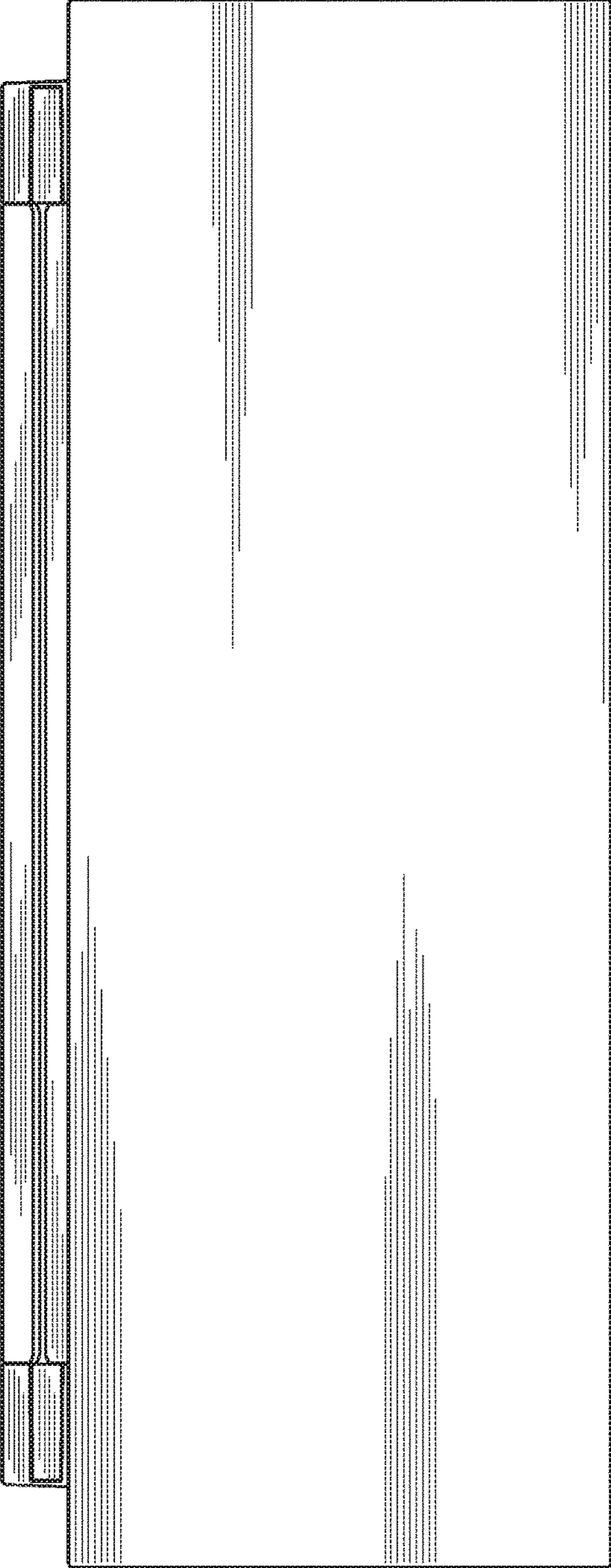


FIG. 6

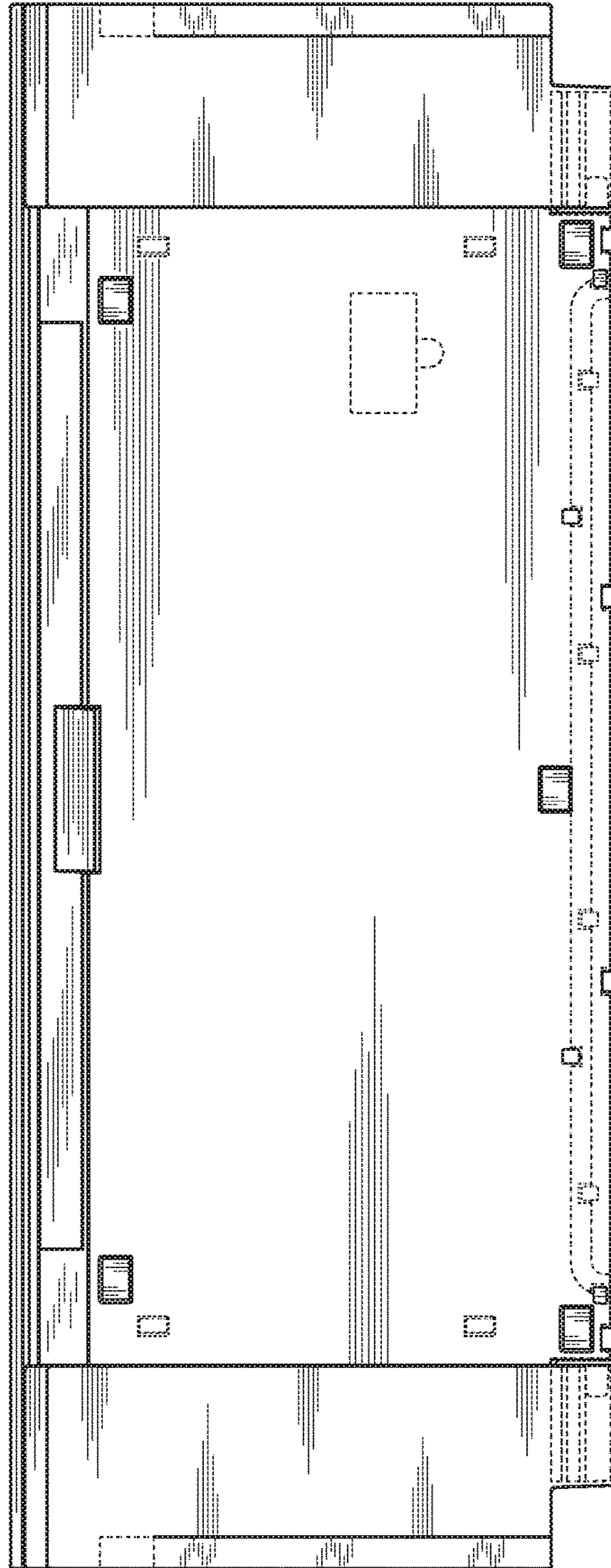


FIG.7

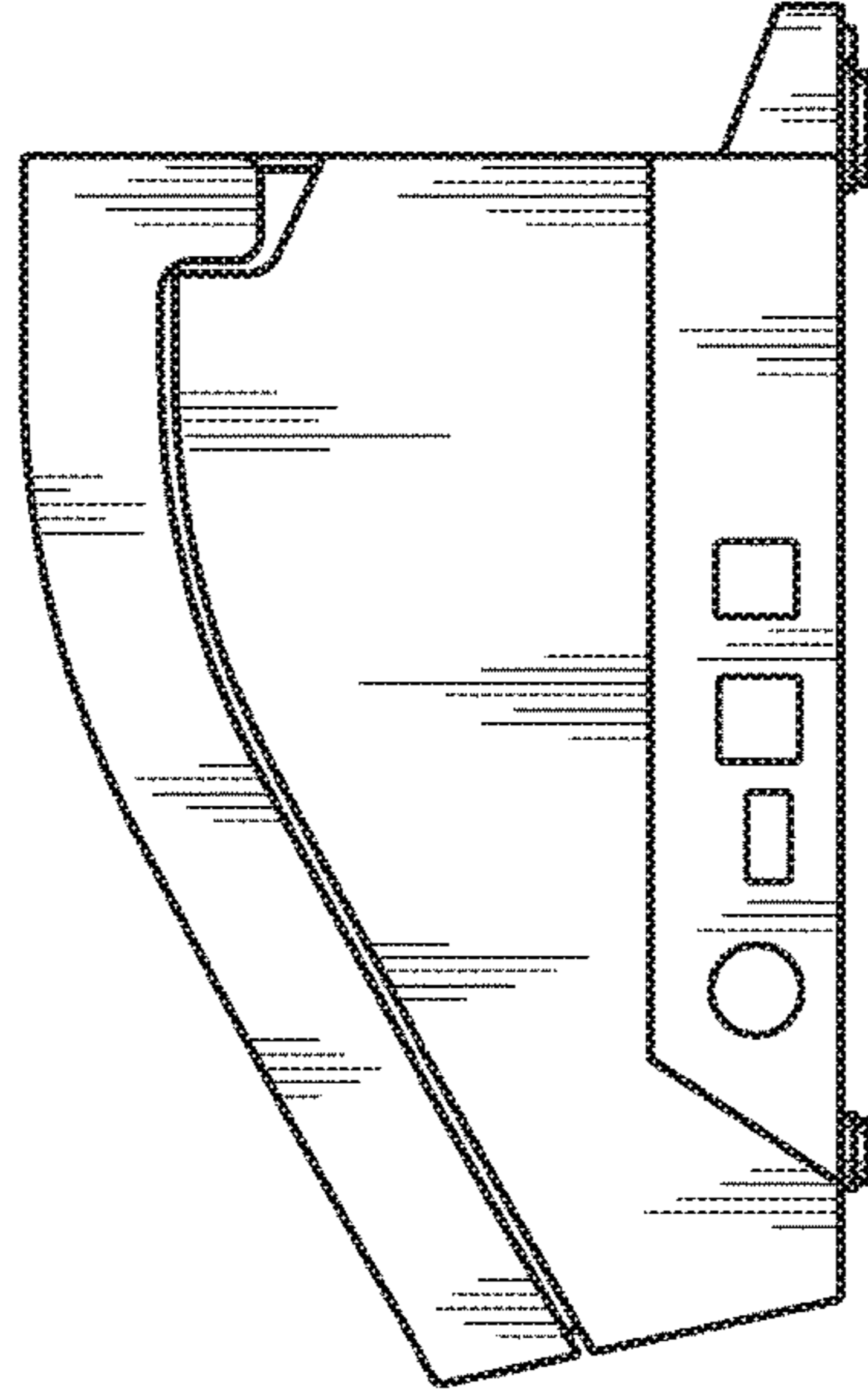


FIG.8

