



US00D852268S

(12) **United States Design Patent**
Lyons et al.

(10) **Patent No.:** **US D852,268 S**
(45) **Date of Patent:** **** Jun. 25, 2019**

- (54) **POINT-OF-SALE DEVICE**
- (71) Applicant: **First Data Corporation**, Greenwood Village, CO (US)
- (72) Inventors: **David Frederick Lyons**, Palo Alto, CA (US); **Christopher Loew**, Palo Alto, CA (US); **Leonard Speiser**, Mountain View, CA (US); **John Beatty**, Mountain View, CA (US); **Eric Fuhs**, Mountain View, CA (US)
- (73) Assignee: **First Data Corporation**, Greenwood Village, CO (US)
- (**) Term: **15 Years**
- (21) Appl. No.: **29/546,571**
- (22) Filed: **Nov. 24, 2015**

Related U.S. Application Data

- (62) Division of application No. 29/469,222, filed on Oct. 8, 2013, now Pat. No. Des. 746,902.
- (51) **LOC (11) Cl.** **18-01**
- (52) **U.S. Cl.**
USPC **D18/4.5; D18/4.6**
- (58) **Field of Classification Search**
USPC D18/4.4, 4.5, 4.6, 2, 4.1, 4.3, 12, 12.1, D18/99; D14/383, 385, 300, 301, 302, D14/307, 333-340, 371, 375, 376, 496, D14/129, 130, 388, 389, 218
CPC G06Q 20/00; G06Q 20/08; G06Q 20/20; G06Q 20/40; G06Q 20/204; G06Q 20/341
See application file for complete search history.

(56) **References Cited**

U.S. PATENT DOCUMENTS

- D360,196 S * 7/1995 Cox D18/4.5
- D423,470 S * 4/2000 Neifer D14/385

- D424,098 S * 5/2000 Kim D14/375
- D510,577 S 10/2005 Jobs et al.
- D615,583 S * 5/2010 Ono D18/4.5
- D620,519 S * 7/2010 Branck D18/4.4
- D624,895 S 10/2010 Kasuga et al.
- D635,975 S 4/2011 Seo et al.
- D659,660 S 5/2012 Kumano
- D671,939 S 12/2012 Chung
- D671,940 S 12/2012 Kim
- 8,365,868 B2 * 2/2013 Johnson A47F 10/02 186/52
- D682,830 S 5/2013 Taunay da Graca Couto
- D684,972 S 6/2013 Benson et al.
- D687,821 S 8/2013 Lee et al.
- D692,885 S 11/2013 Cruz
- D698,785 S 2/2014 Canizares et al.
- D700,605 S 3/2014 Hong
- D702,230 S 4/2014 Toh et al.
- D707,288 S 6/2014 Branck et al.
- D709,069 S * 7/2014 Cruz D14/385

(Continued)

Primary Examiner — Holly E Thurman
(74) *Attorney, Agent, or Firm* — Eversheds Sutherland (US) LLP

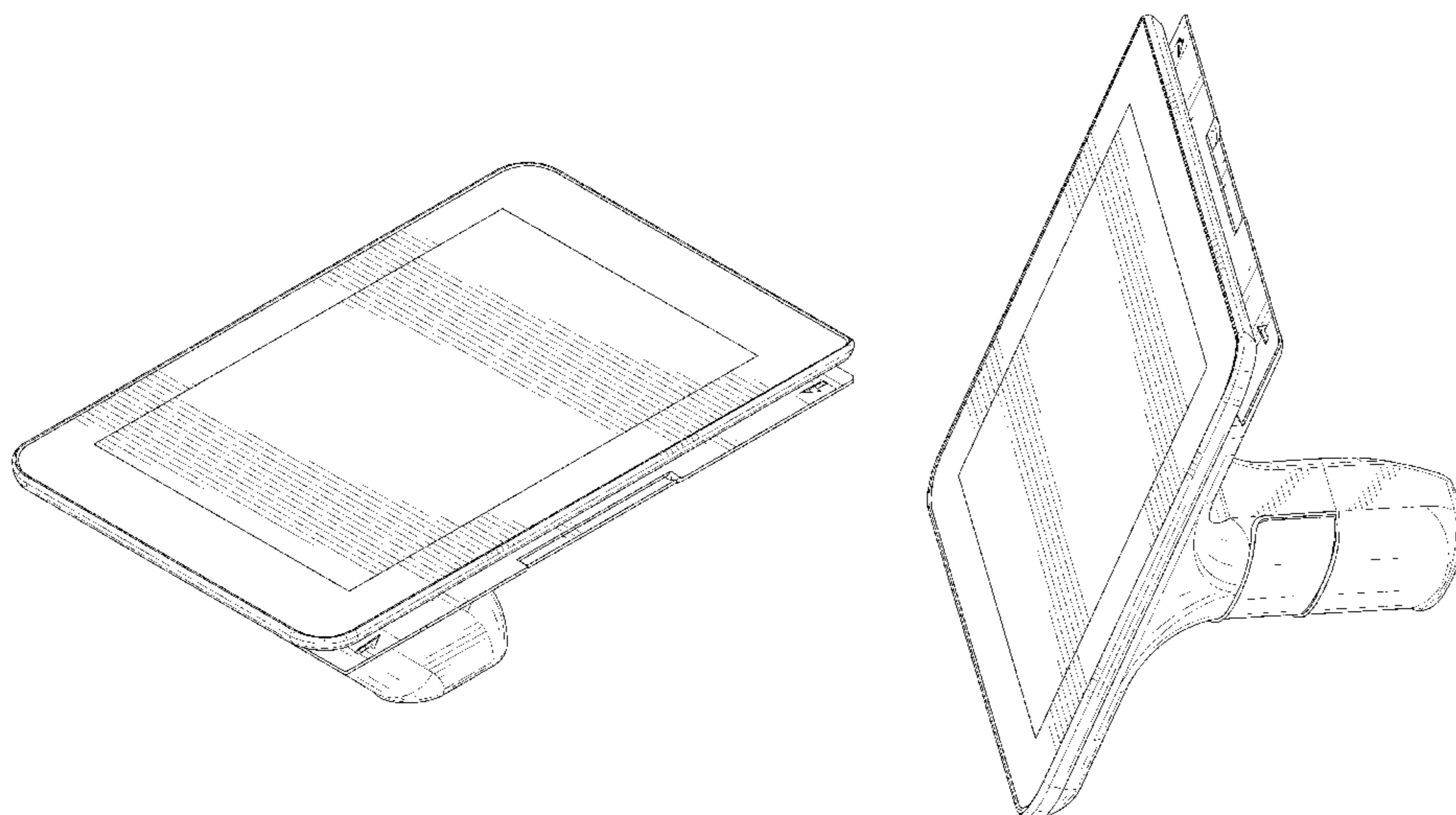
(57) **CLAIM**

The ornamental design for a point-of-sale device, as shown and described.

DESCRIPTION

FIG. 1 is an upper perspective view of a point-of-sale device showing a first embodiment of our new design; FIG. 2 is a front view thereof; FIG. 3 is a bottom view thereof; FIG. 4 is a side view thereof; FIG. 5 is an upper perspective view thereof; and, FIG. 6 is an upper perspective view of a point-of-sale device showing a second embodiment of our new design. The broken lines are for purposes of illustration only and do not form a part of the claimed design.

1 Claim, 6 Drawing Sheets



(56)

References Cited

U.S. PATENT DOCUMENTS

D710,849 S *	8/2014	Jung	D14/374
D710,850 S *	8/2014	Jung	D14/374
D729,244 S *	5/2015	Toh	D14/385
D735,802 S *	8/2015	Lyons	D18/4.5
D746,902 S *	1/2016	Lyons	D18/4.5
D761,899 S *	7/2016	Beatty	D18/4.6
D772,335 S *	11/2016	Mantrawadi	D18/4.6
D780,744 S *	3/2017	Birgeoglu	D14/307
D807,424 S *	1/2018	Chang	D18/4.4
2005/0015602 A1	6/2005	Ichikawa et al.	
2012/0014578 A1	6/2012	Lin	

* cited by examiner

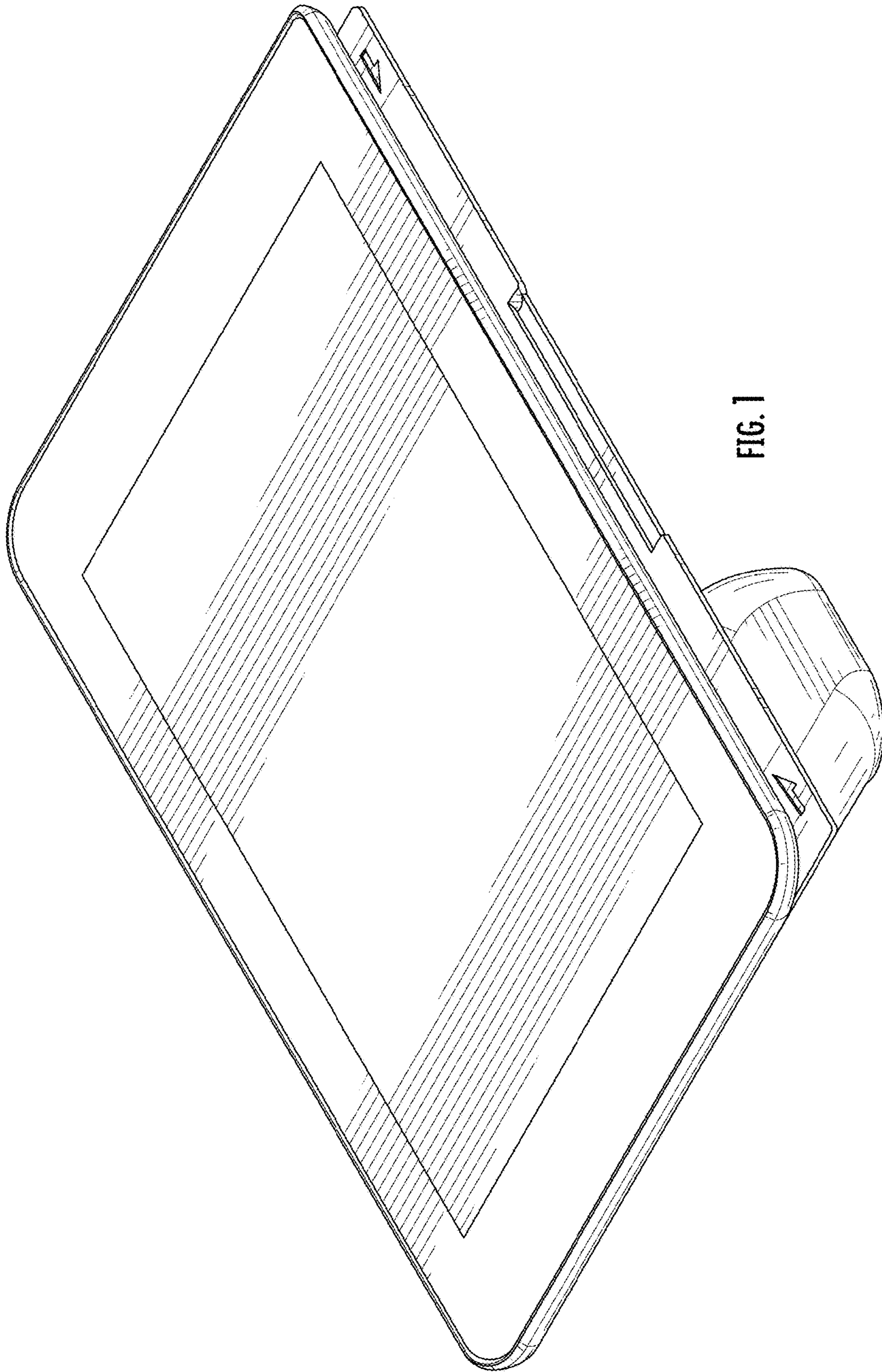


FIG. 1

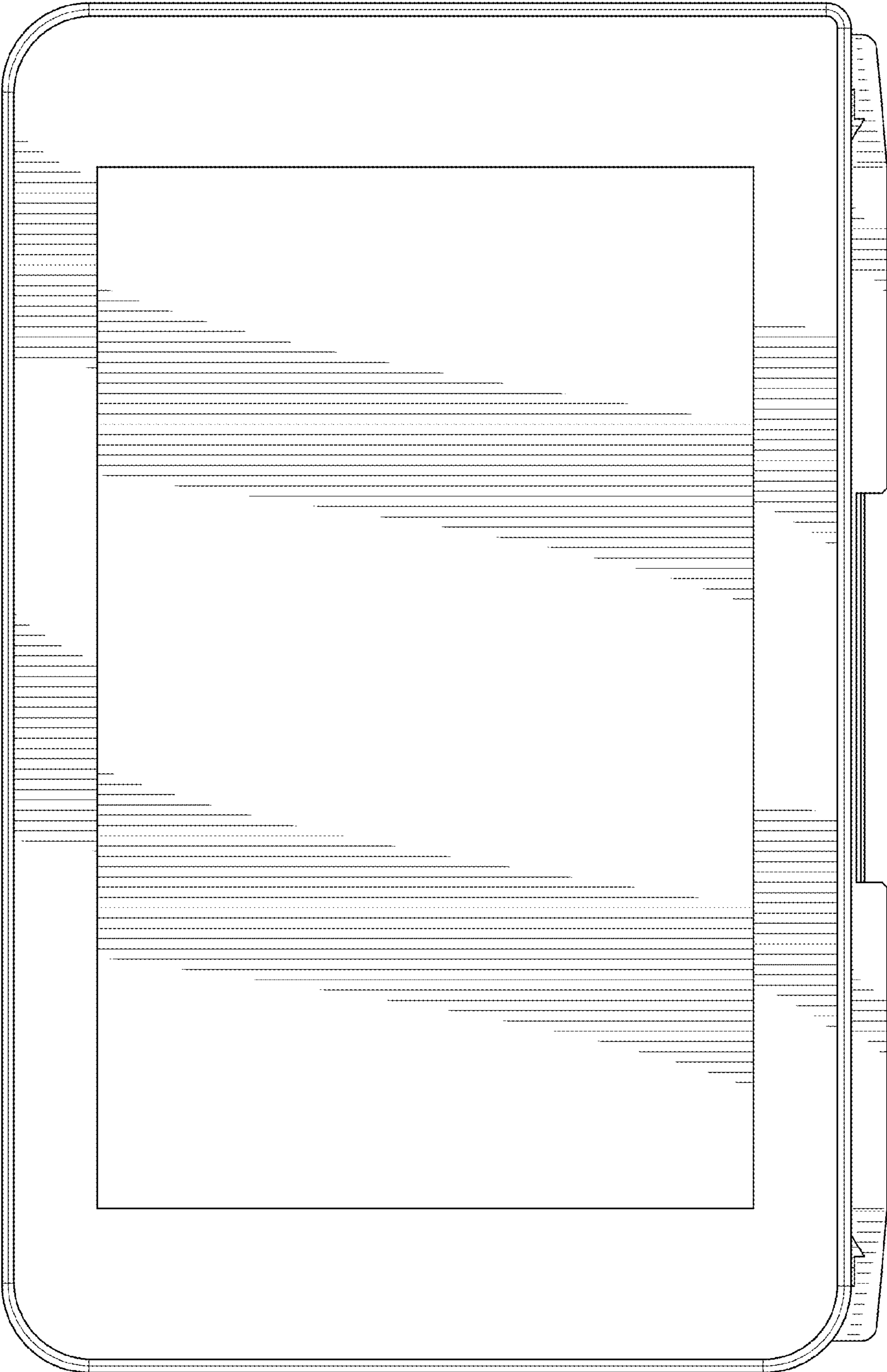


FIG. 2

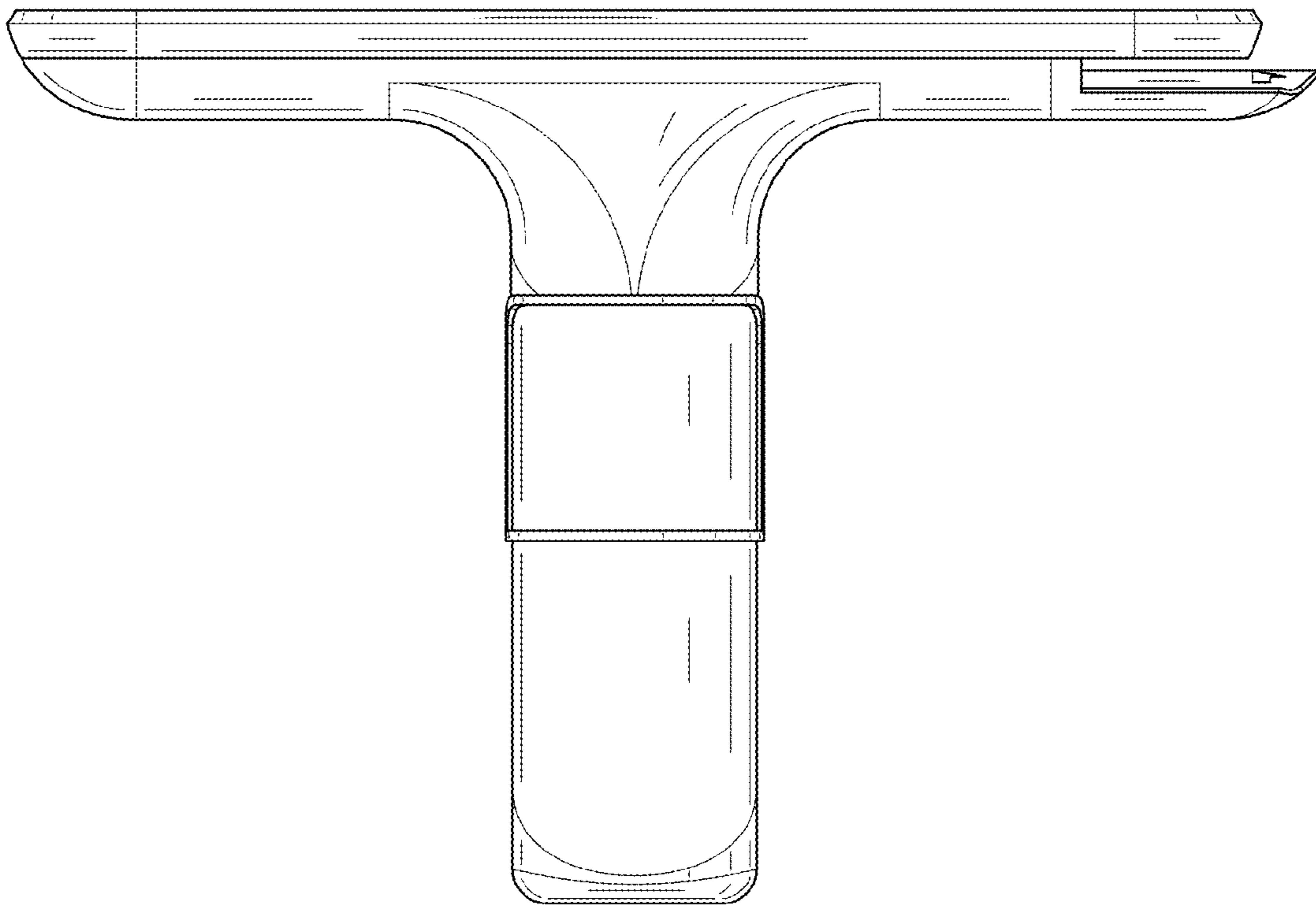


FIG. 3

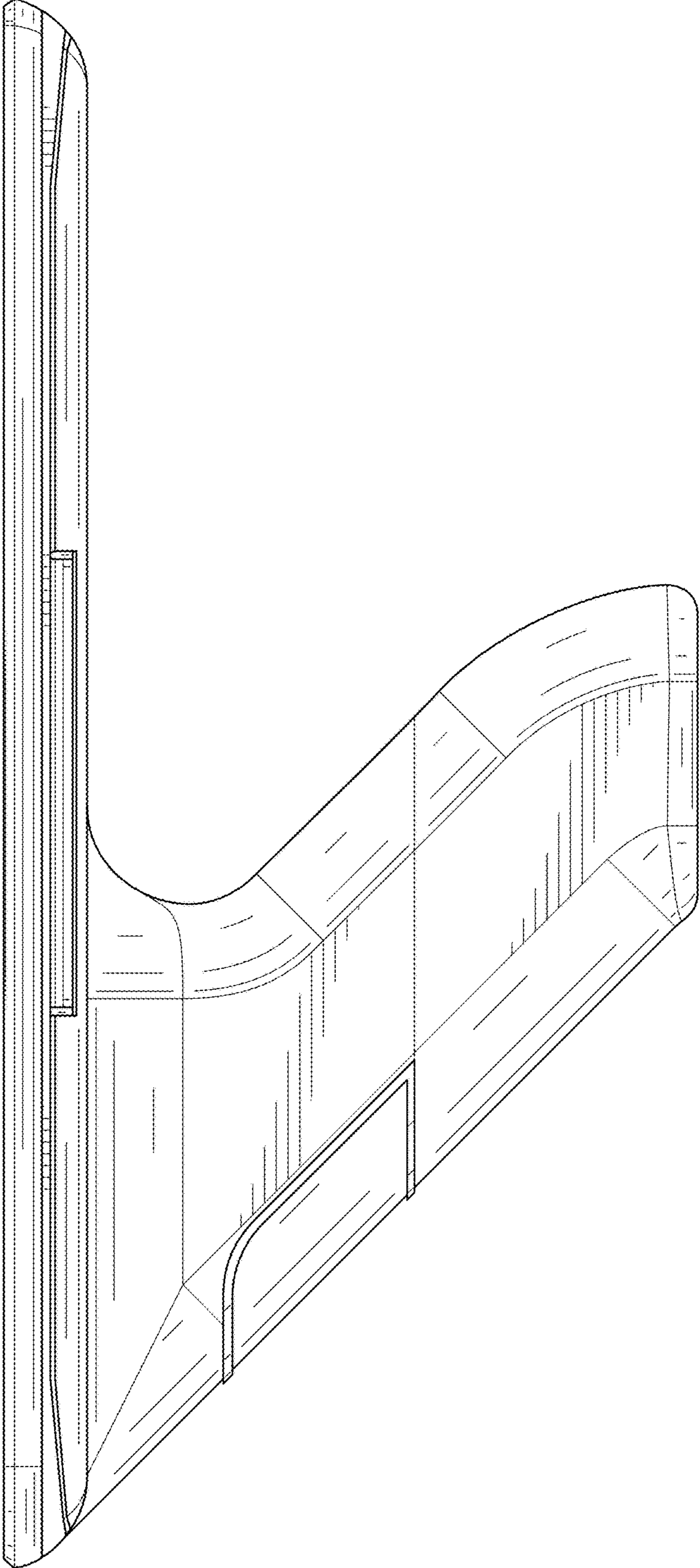


FIG. 4

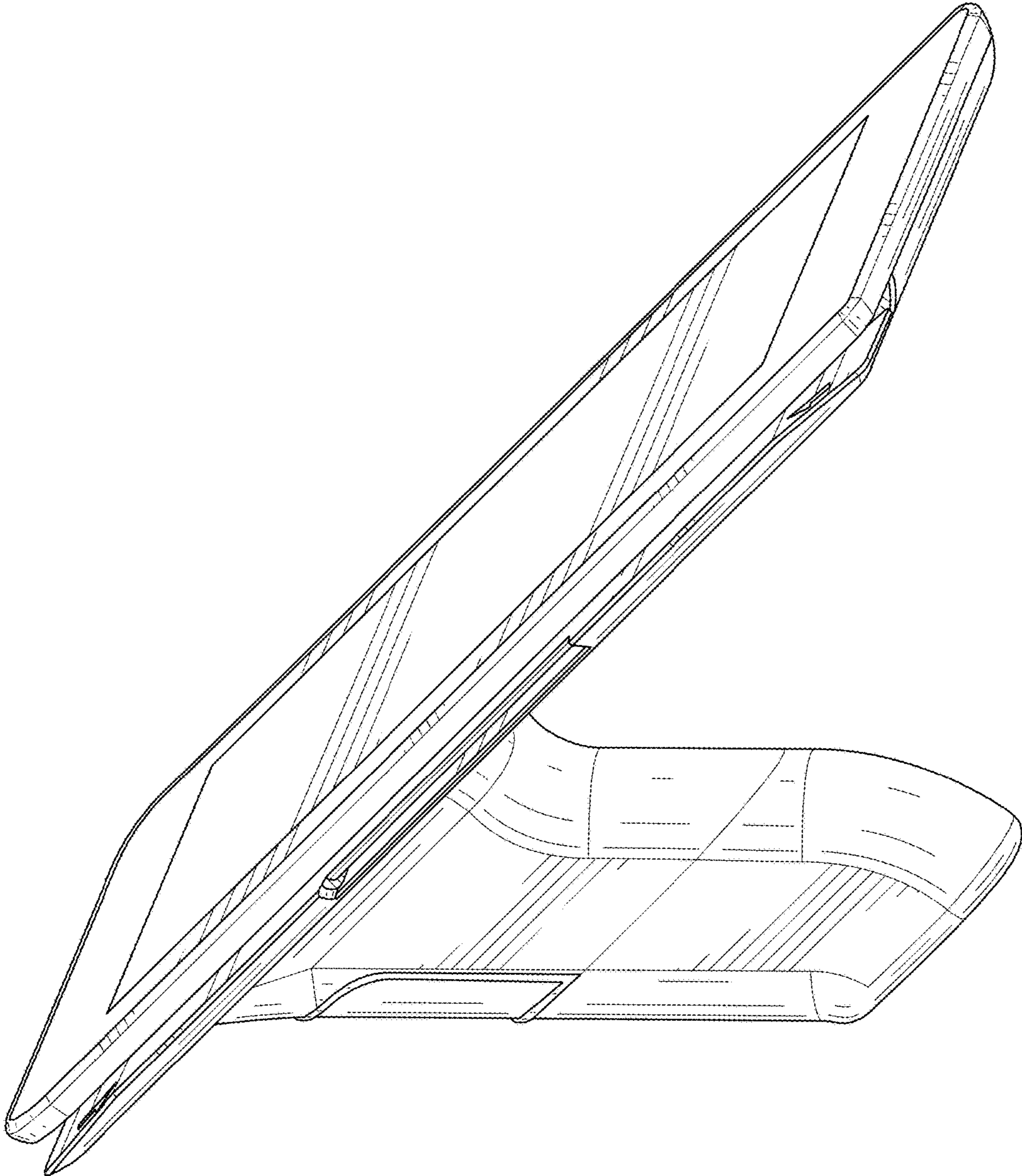


FIG. 5

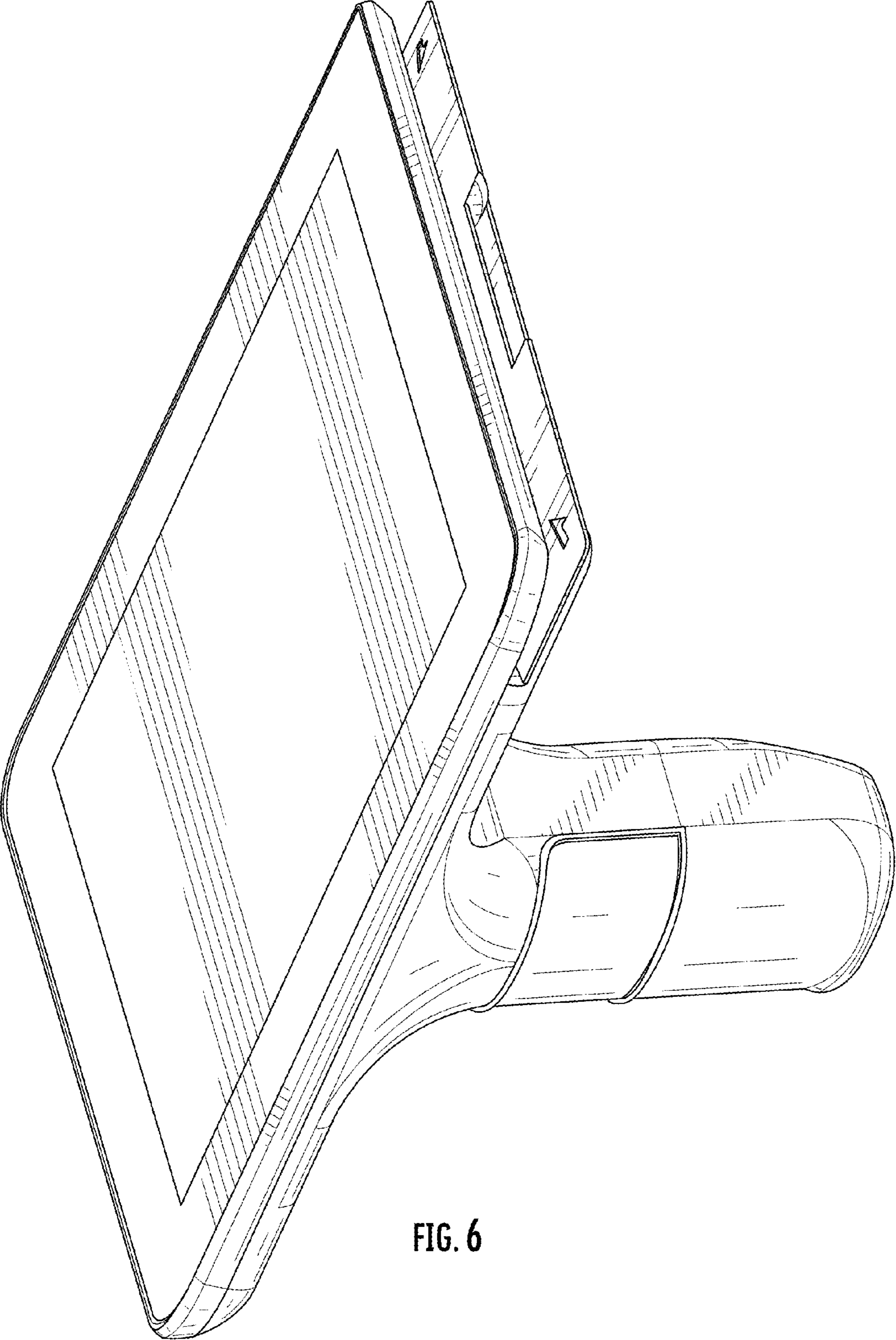


FIG. 6