



US00D852267S

(12) **United States Design Patent**  
**Graham**

(10) **Patent No.:** **US D852,267 S**

(45) **Date of Patent:** **\*\* Jun. 25, 2019**

(54) **ELECTRONIC DEVICE FOR MUSICAL INSTRUMENT**

(71) Applicant: **Roger William Graham**, Santa Barbara, CA (US)

(72) Inventor: **Roger William Graham**, Santa Barbara, CA (US)

(\*\*) Term: **15 Years**

(21) Appl. No.: **29/601,482**

(22) Filed: **Apr. 22, 2017**

5,022,305	A *	6/1991	Butler	.....	G10H 1/16
					330/123
D421,621	S *	3/2000	Cooper	.....	84/454
D518,086	S *	3/2006	Ito	.....	D17/99
D630,616	S *	1/2011	Vex	.....	D14/217
D682,346	S *	5/2013	Bogdan	.....	D17/20
8,525,015	B2 *	9/2013	Armstrong	.....	G10H 1/348
					381/118
D752,130	S *	3/2016	Alstad	.....	D17/20
D791,859	S *	7/2017	Graham	.....	D17/99
2012/0297963	A1 *	11/2012	Armstrong	.....	G10H 1/0091
					84/746
2014/0205113	A1 *	7/2014	Slipp	.....	G10H 7/008
					381/119

\* cited by examiner

**Related U.S. Application Data**

(62) Division of application No. 29/524,710, filed on Apr. 22, 2015, now Pat. No. Des. 791,859.

(51) **LOC (11) Cl.** ..... **17-99**

(52) **U.S. Cl.**  
USPC ..... **D17/99**

(58) **Field of Classification Search**  
USPC ..... D17/20, 99; 84/711, 721, 746; D14/217; 700/94  
CPC ..... G10H 1/32; G10H 1/46; G06F 17/00  
See application file for complete search history.

(56) **References Cited**

**U.S. PATENT DOCUMENTS**

D235,779	S *	7/1975	Barr	.....	D10/46
D236,212	S *	8/1975	Beigel et al.	.....	D14/188
D244,215	S *	5/1977	Ross	.....	D14/217

*Primary Examiner* — Karen S Acker

*Assistant Examiner* — Steven B Reinholdt, Jr.

(74) *Attorney, Agent, or Firm* — Robert W. Graham

(57) **CLAIM**

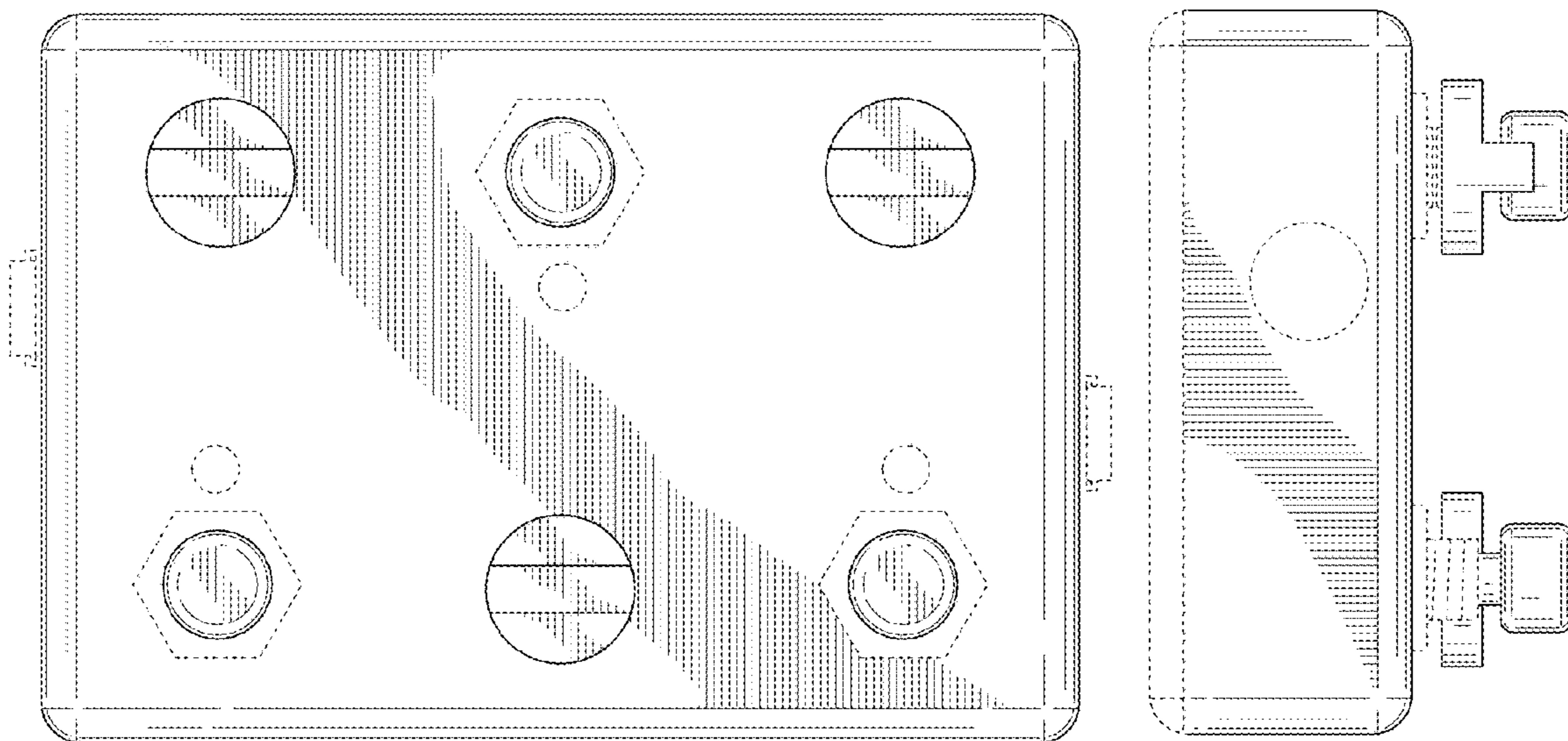
The ornamental design for an electronic device for musical instrument, as shown and described.

**DESCRIPTION**

FIG. 1 is a top view of the electronic device for musical instrument illustrating my new ornamental design; FIG. 2 is a left side view thereof; FIG. 3 is a right side view thereof; FIG. 4 is a front view thereof; and, FIG. 5 is a rear view thereof.

The broken lines in the figures show portions of the electronic device for musical instrument that form no part of the claimed design.

**1 Claim, 3 Drawing Sheets**



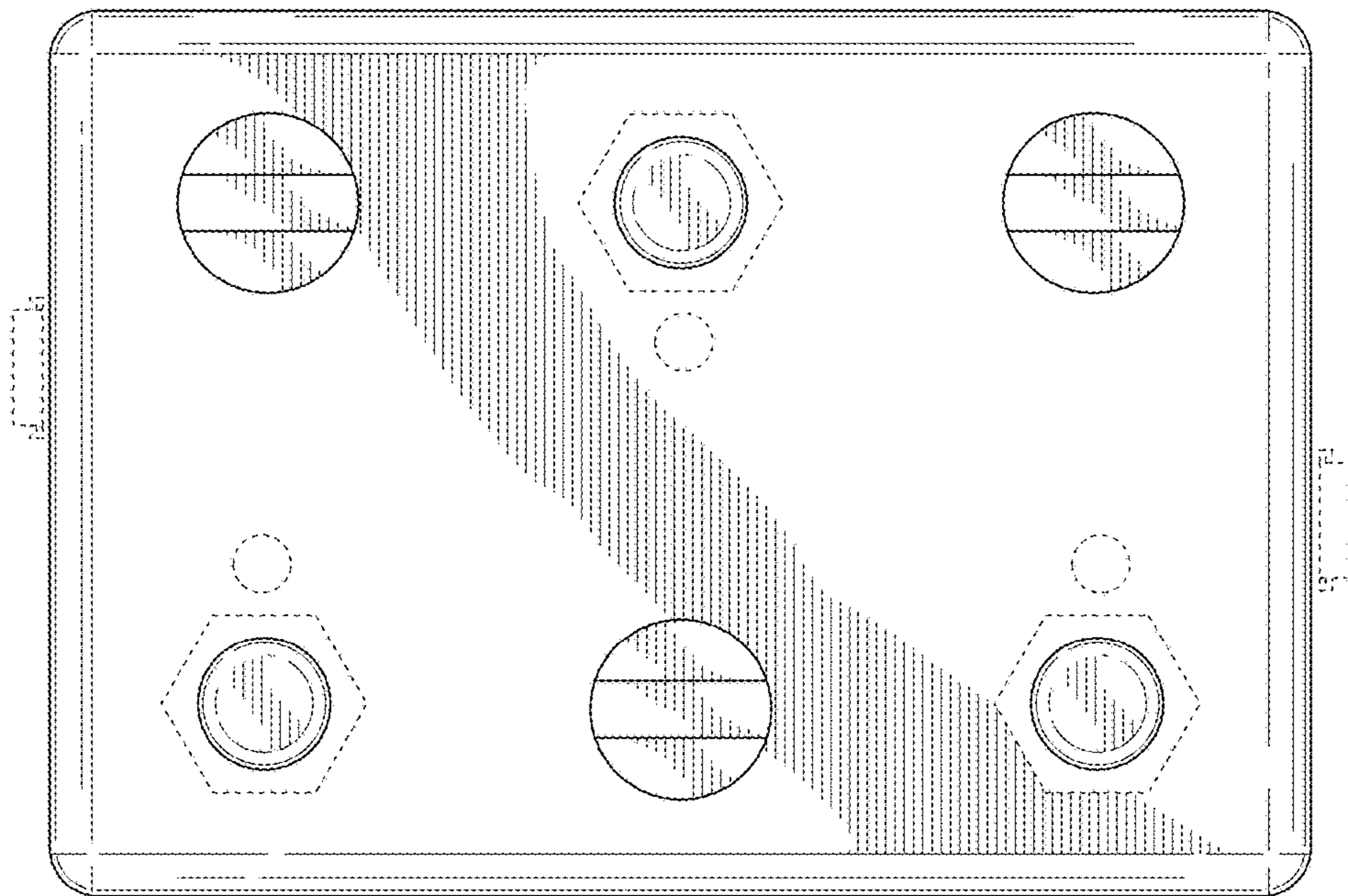


FIG. 1

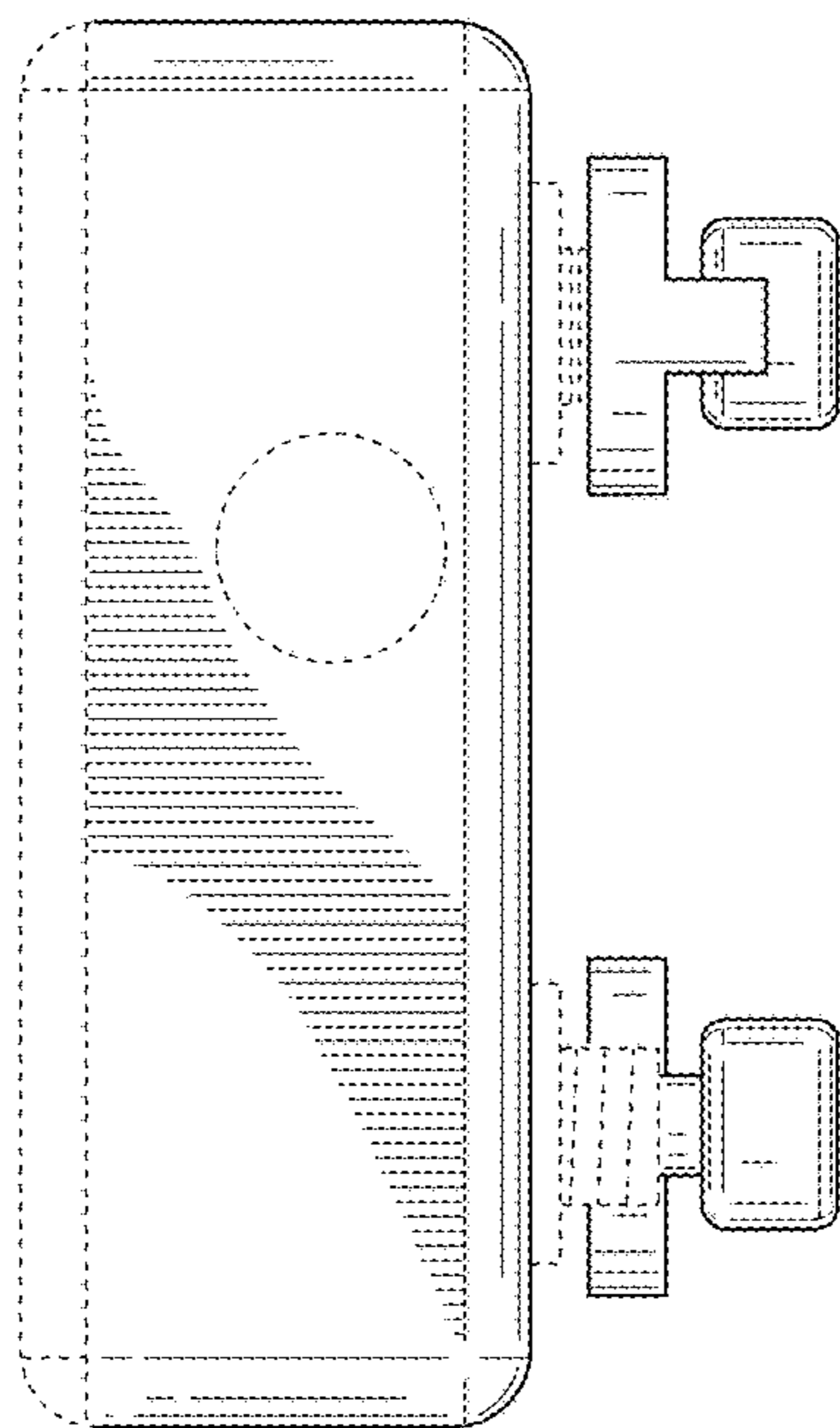


FIG. 2

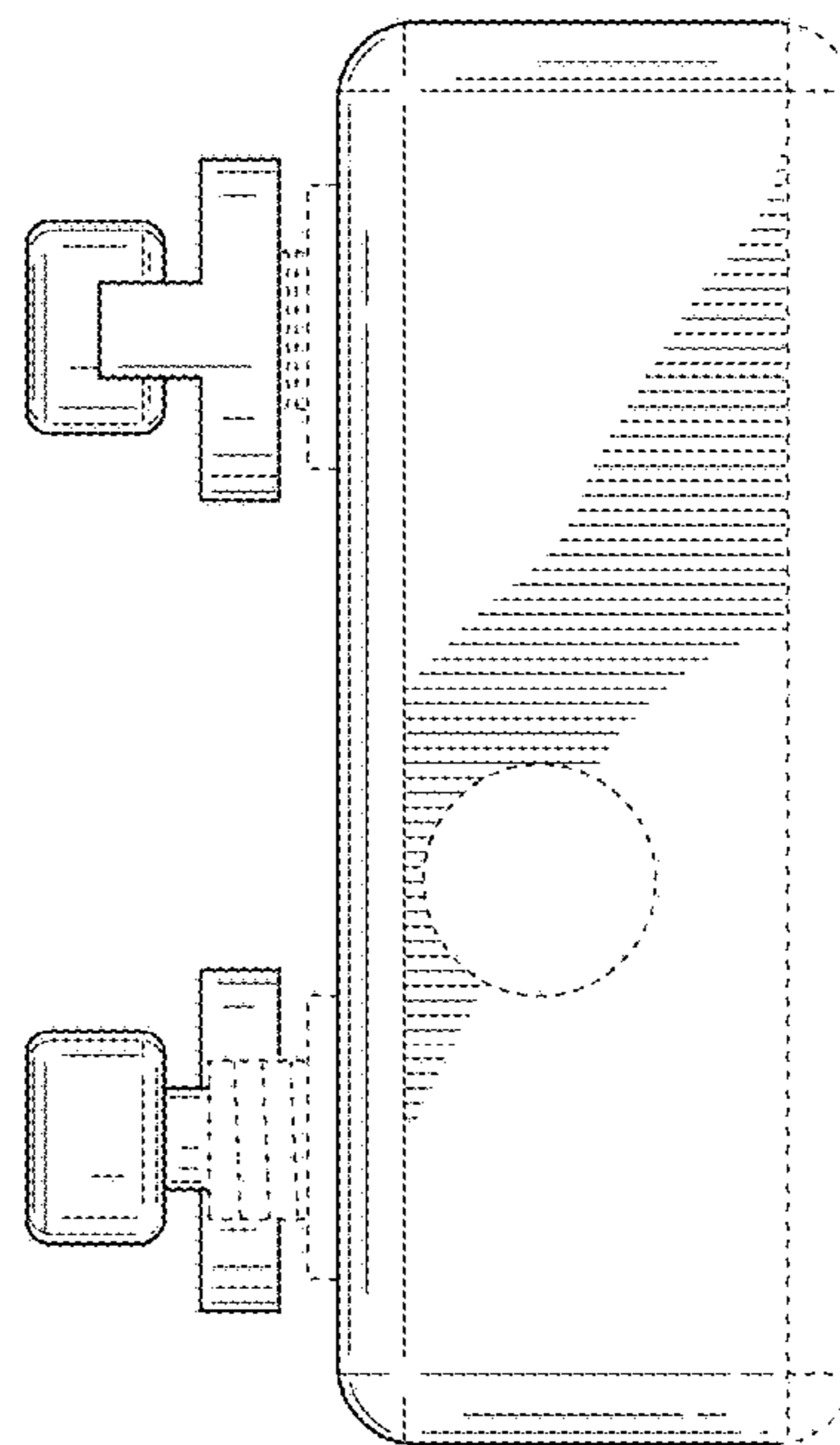


FIG. 3

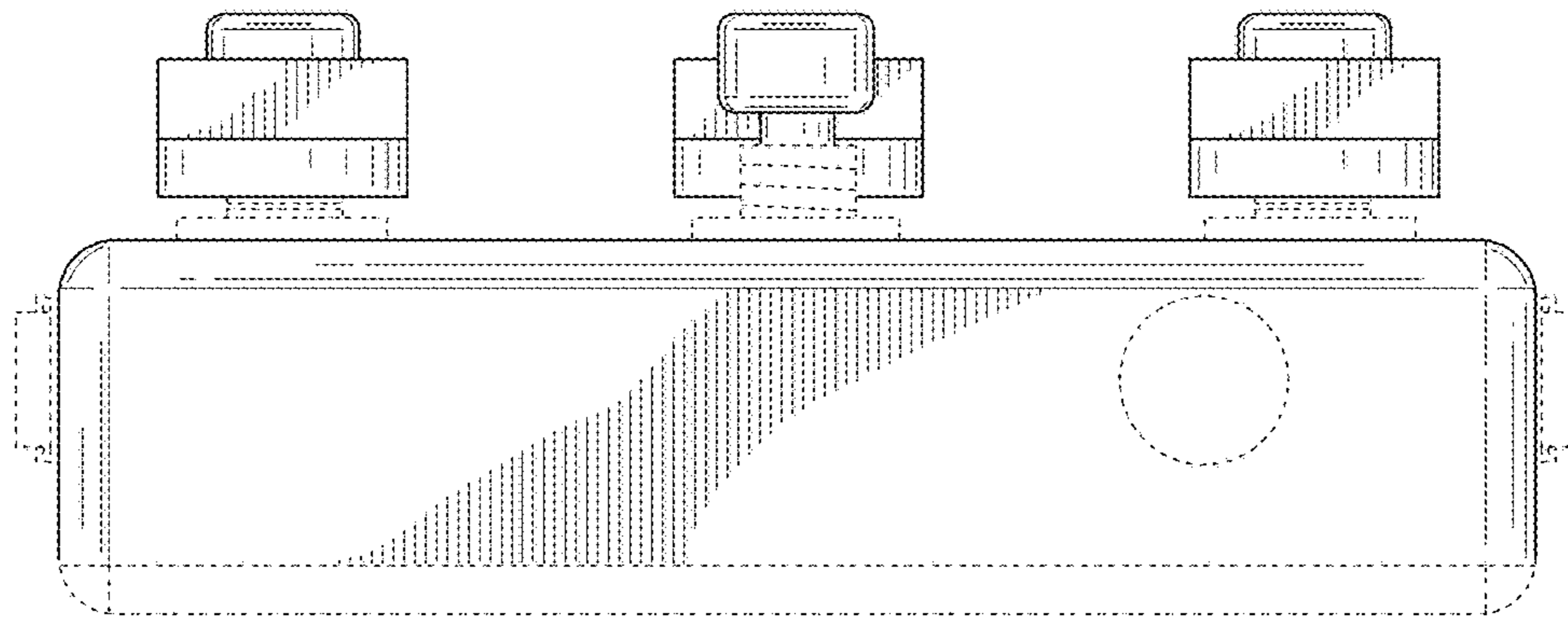


FIG. 4

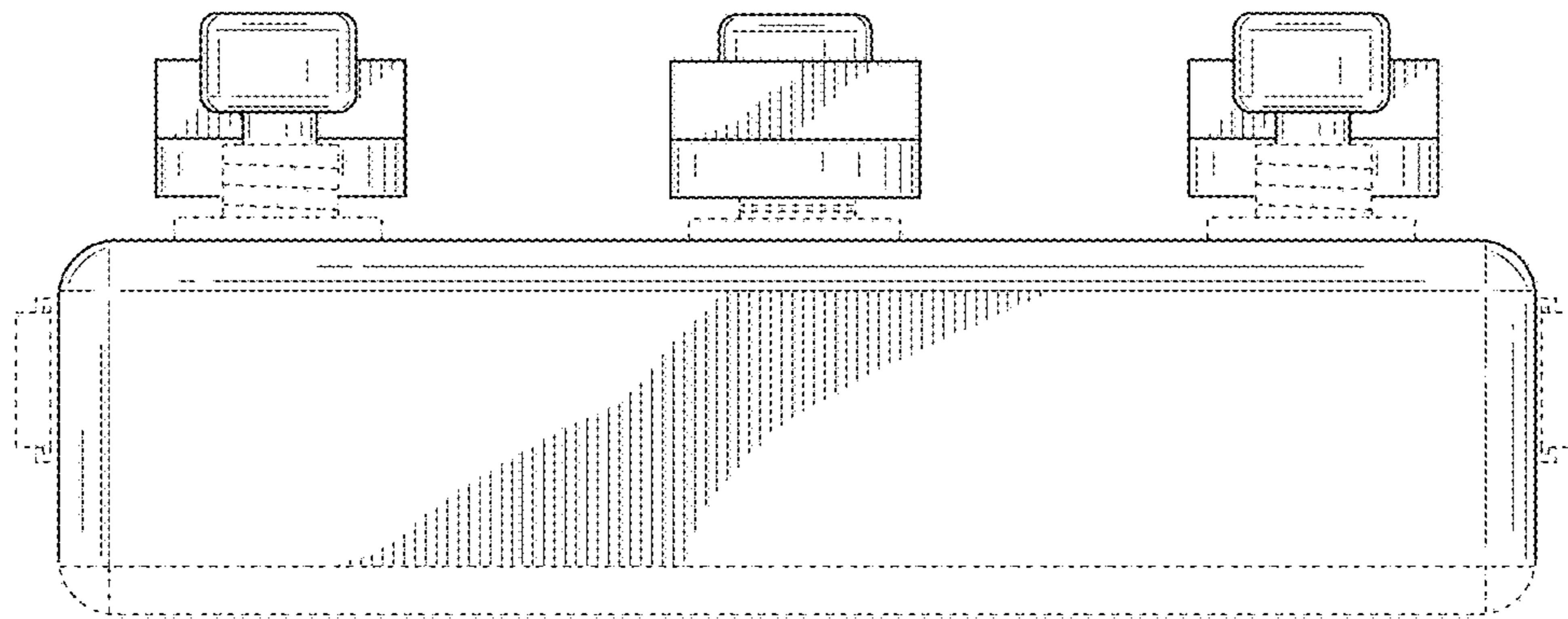


FIG. 5