



US00D852261S

(12) **United States Design Patent** (10) **Patent No.:** **US D852,261 S**  
**Rasier et al.** (45) **Date of Patent:** **\*\* Jun. 25, 2019**

(54) **FRAME FOR GLASSES**  
(71) Applicant: **Vedere Endüstri Ürünleri VE DIS TIC. LTD. STI**, Istanbul (TR)  
(72) Inventors: **Rifat Rasier**, Istanbul (TR); **Sabri Ata Narin**, Istanbul (TR)  
(73) Assignee: **Vedere Endüstri Ürünleri VE DIS TIC. LTD. STI**, Istanbul (TR)

(\*\*) Term: **15 Years**  
(21) Appl. No.: **29/622,576**  
(22) Filed: **Oct. 18, 2017**

(30) **Foreign Application Priority Data**  
Apr. 19, 2017 (TR) ..... 2017/02879  
(51) **LOC (11) Cl.** ..... **16-06**  
(52) **U.S. Cl.**  
USPC ..... **D16/300**  
(58) **Field of Classification Search**  
USPC ..... D16/319, 321, 322, 323, 325, 300,  
D16/326-329  
CPC . G02C 3/04; G02C 5/008; G02C 1/06; G02C  
5/128  
See application file for complete search history.

(56) **References Cited**  
**U.S. PATENT DOCUMENTS**  
348,992 A \* 9/1886 Parker ..... G02C 3/003  
351/70  
D63,363 S \* 11/1923 Gaspari ..... 351/65  
D64,044 S \* 2/1924 Beatty ..... D16/302  
1,566,361 A \* 12/1925 Beatty ..... G02C 5/12  
2/13  
1,973,126 A \* 9/1934 Tanasso ..... G02C 3/00  
351/64  
D106,147 S \* 9/1937 Pomeranz ..... D16/302

D384,361 S \* 9/1997 Karasawa ..... D16/302  
D454,904 S \* 3/2002 Marcuccilli ..... D16/302  
D585,471 S \* 1/2009 Thompson ..... D16/302  
9,684,187 B2 \* 6/2017 Rasier ..... G02C 3/006  
D795,951 S \* 8/2017 Alex ..... D16/300  
D827,702 S \* 9/2018 Jha ..... D16/317  
2016/0147082 A1 \* 5/2016 Rasier ..... G02C 3/006  
351/71  
2017/0192248 A1 \* 7/2017 Rado ..... G02C 3/003

**OTHER PUBLICATIONS**

Armless Reading Glasses, posted at amazon.com, posting date Jul. 18, 2018, [online], [site visited Jan. 16, 2019]. Available from Internet, URL: <https://www.amazon.com/Armless-Reading-Glasses-Resting-Portable/dp/B07FPMXR4K/> (Year: 2018).\*  
EnzoDate Nose Resting Reading Glasses, posted at amazon.com, posting date Jan. 28, 2017, [online], [site visited Jan. 16, 2019]. Available from Internet, URL: (Year: 2017).\*

(Continued)

*Primary Examiner* — George D. Kirschbaum  
*Assistant Examiner* — Maria J Edwards  
(74) *Attorney, Agent, or Firm* — Berenato & White, LLC

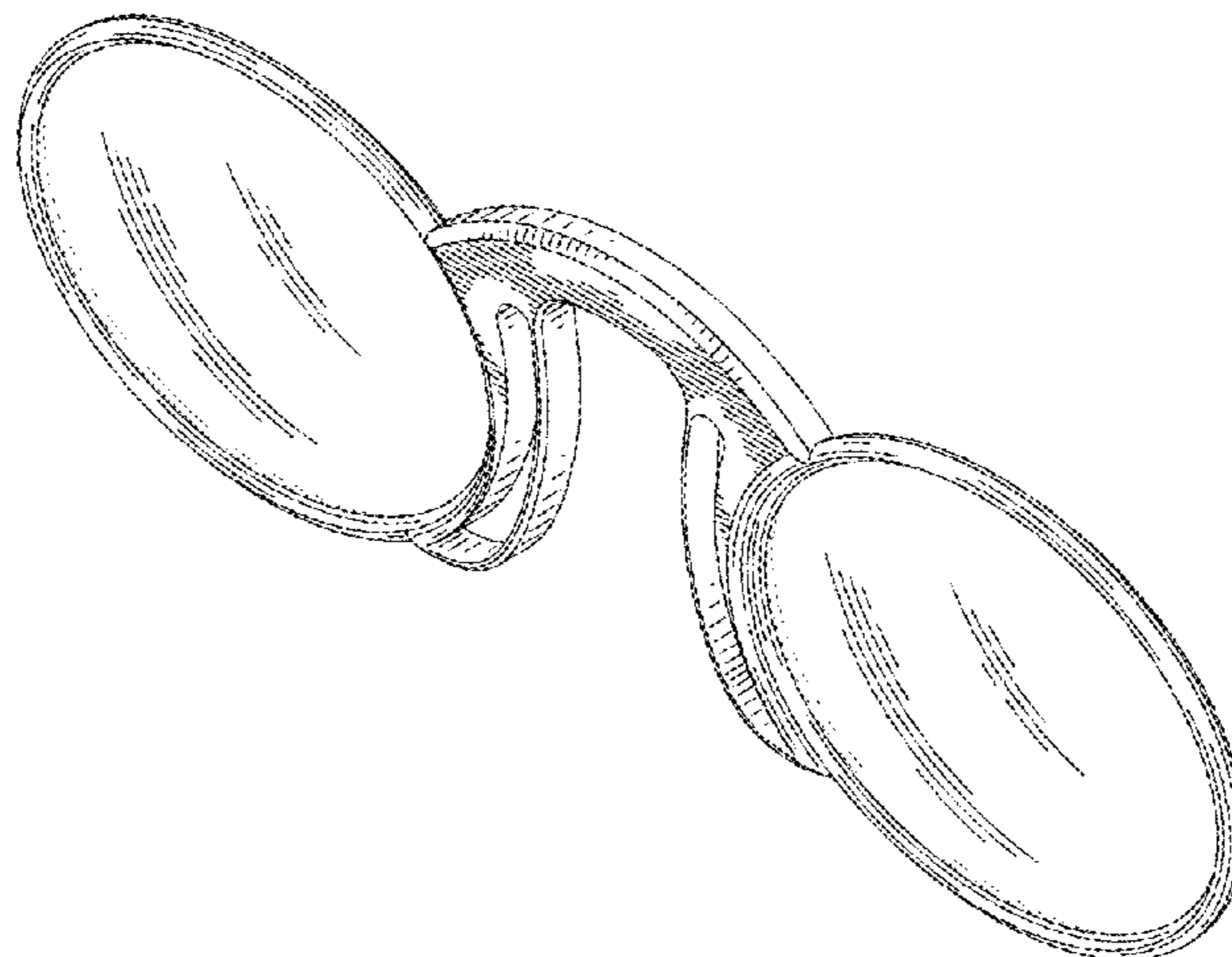
(57) **CLAIM**

The ornamental design for a frame for glasses, as shown and described.

**DESCRIPTION**

FIG. 1 is a front perspective view of our design;  
FIG. 2 is a front elevational view;  
FIG. 3 is a rear elevational view;  
FIG. 4 is a top view;  
FIG. 5 is a bottom view;  
FIG. 6 is a right side view; and,  
FIG. 7 is a left view.

**1 Claim, 3 Drawing Sheets**



(56)

**References Cited**

OTHER PUBLICATIONS

Flexsee Gravity Unbreakable Reading Glasses, posted at amazon.com, posting date Oct. 4, 2018, [online], [site visited Jan. 16, 2019]. Available from Internet, URL: <https://www.amazon.com/FLEXSEE-GRAVITY-UNBREAKABLE-READING-PROTECTION/dp/B07HZ2K5ZM> (Year: 2018).\*

Mini Reading Rubber Pince Nez, posted at amazon.com, posting date Dec. 29, 2017, [online], [site visited Jan. 16, 2019]. Available from Internet, URL: (Year: 2017).\*

Nooz Armless Reading Glasses, posted at amazon.com, posting date Jun. 27, 2017, [online], [site visited Jan. 16, 2019]. Available from Internet, URL: <https://www.amazon.com/Nooz-Armless-Wherever-Rectangular-diopters/dp/B073D5NLZV/> (Year: 2017).\*

\* cited by examiner

FIG. 1

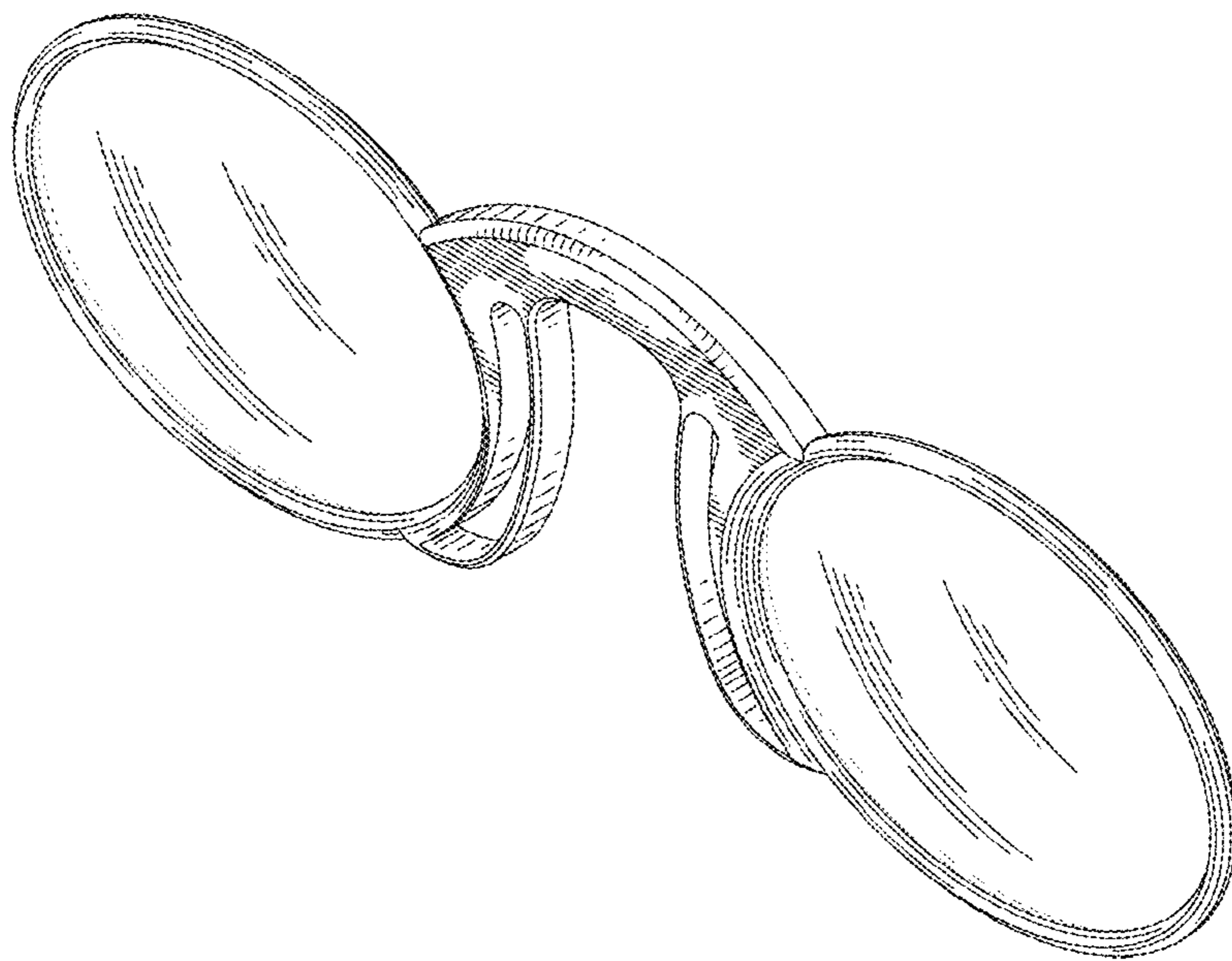


FIG. 2

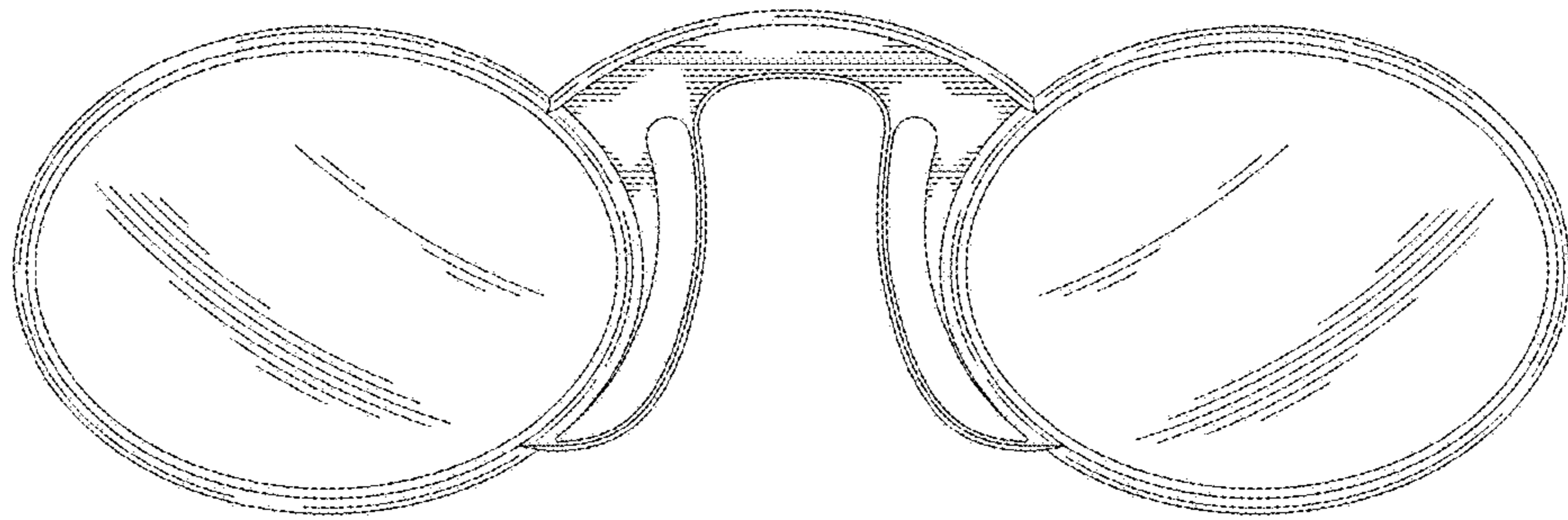


FIG. 3

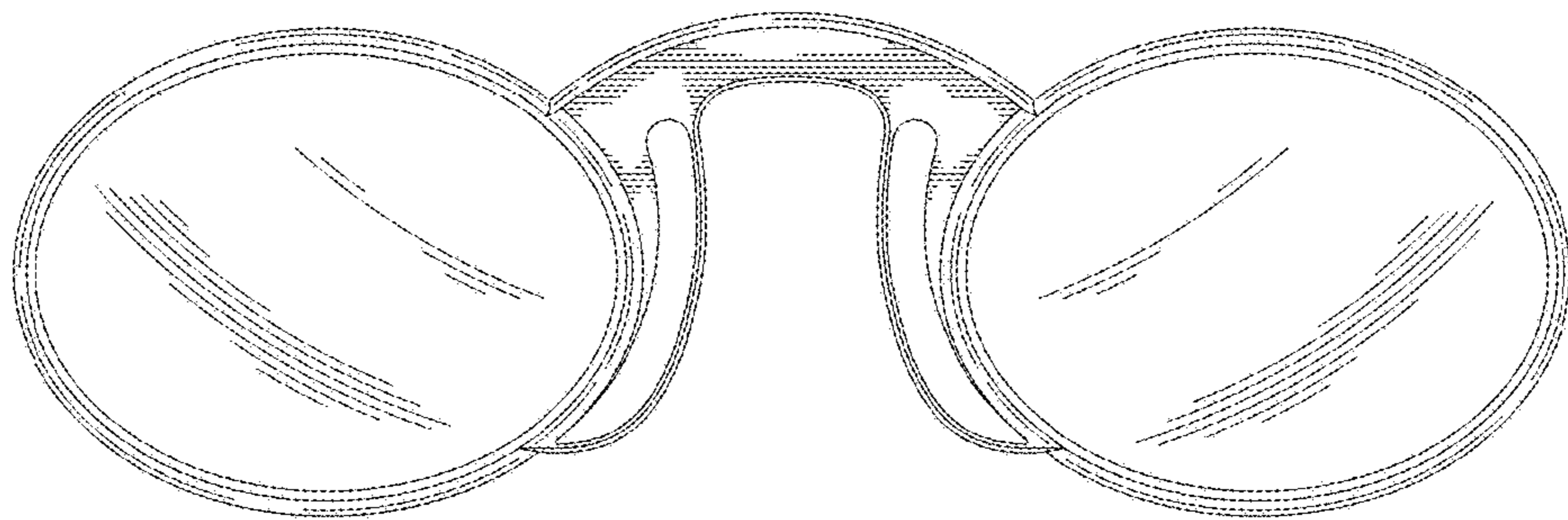


FIG. 4



FIG. 5

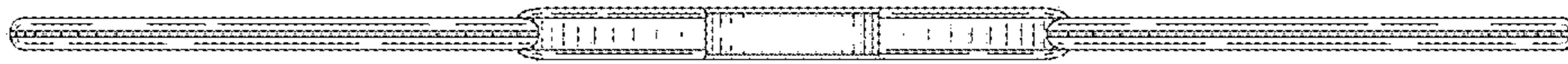


FIG. 6

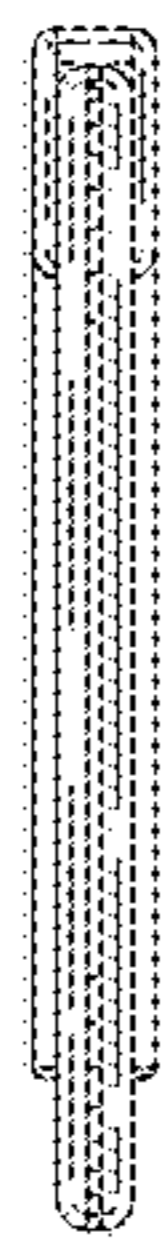


FIG. 7

