



US00D852260S

(12) **United States Design Patent**  
**Peterson**

(10) **Patent No.:** **US D852,260 S**  
(45) **Date of Patent:** **\*\* Jun. 25, 2019**

- (54) **PHOTOGRAPHIC LIGHTING APPARATUS**
- (71) Applicant: **Lifetouch Inc.**, Eden Prairie, MN (US)
- (72) Inventor: **Trygve D. Peterson**, Savage, MN (US)
- (73) Assignee: **Lifetouch Inc.**, Eden Prairie, MN (US)
- (\*\*) Term: **15 Years**
- (21) Appl. No.: **29/614,307**
- (22) Filed: **Aug. 17, 2017**

**Related U.S. Application Data**

- (63) Continuation-in-part of application No. 15/435,377, filed on Feb. 17, 2017.
- (51) **LOC (11) Cl.** ..... **16-01**
- (52) **U.S. Cl.**  
USPC ..... **D16/239**
- (58) **Field of Classification Search**  
USPC ..... D26/1, 24, 51, 52, 60, 63, 67, 138, 141, D26/145; D16/239, 240, 242  
CPC .. G03B 21/20; G03B 21/2013; G03B 15/041; G03B 15/07; G03B 15/042; G03B 15/03; G03B 15/05; G02B 15/02  
See application file for complete search history.

(56) **References Cited**

**U.S. PATENT DOCUMENTS**

- 3,550,519 A \* 12/1970 Lewis ..... G03B 15/03 396/422
- 3,763,366 A 10/1973 Bahnsen
- 3,941,922 A 3/1976 Blount
- D268,270 S \* 3/1983 Ostlund ..... D16/240
- 4,690,637 A 9/1987 Brower
- 6,000,859 A \* 12/1999 Mulcahy ..... G03B 15/05 396/422
- D428,661 S \* 7/2000 Norman ..... D26/63
- D527,756 S \* 9/2006 Parker ..... D16/242
- D552,658 S \* 10/2007 Moore ..... D16/242
- 7,896,509 B2 3/2011 Gallagher

(Continued)

*Primary Examiner* — Brian N. Vinson  
(74) *Attorney, Agent, or Firm* — Merchant & Gould P.C.

(57) **CLAIM**

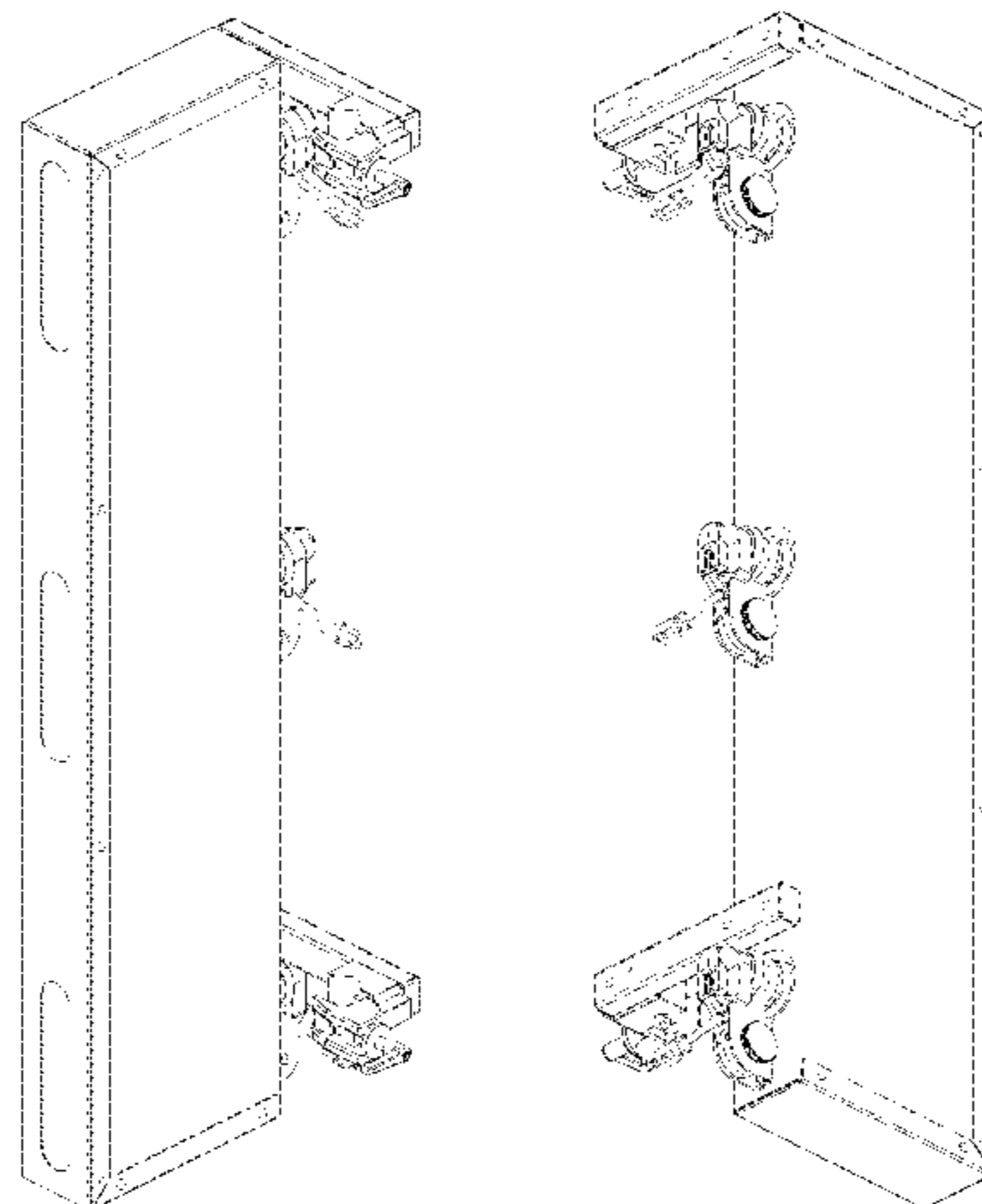
The ornamental design for a photographic lighting apparatus, as shown and described.

**DESCRIPTION**

FIG. 1 is a front isometric view of a first embodiment of the photographic lighting apparatus;  
 FIG. 2 is a rear isometric view thereof;  
 FIG. 3 is front view thereof;  
 FIG. 4 is a rear view thereof;  
 FIG. 5 is a right side view thereof;  
 FIG. 6 is a left side view thereof;  
 FIG. 7 is a top view thereof;  
 FIG. 8 is a bottom view thereof;  
 FIG. 9 is a cross-sectional view taken along line 9-9 shown in FIG. 7;  
 FIG. 10 is a cross-sectional view taken along line 10-10 shown in FIG. 5;  
 FIG. 11 is a front isometric view of a second embodiment of the photographic lighting apparatus;  
 FIG. 12 is a rear isometric view thereof;  
 FIG. 13 is front view thereof;  
 FIG. 14 is a rear view thereof;  
 FIG. 15 is a left side view thereof;  
 FIG. 16 is a right side view thereof;  
 FIG. 17 is a top view thereof;  
 FIG. 18 is a bottom view thereof;  
 FIG. 19 is a cross-sectional view taken along line 19-19 shown in FIG. 17; and,  
 FIG. 20 is a cross-sectional view taken along line 20-20 shown in FIG. 15.

The broken lines in the drawings represent portions of the photographic lighting apparatus that form no part of the claimed design.

**1 Claim, 20 Drawing Sheets**



(56)

**References Cited**

U.S. PATENT DOCUMENTS

8,128,247 B2	3/2012	Portmann	
8,376,602 B2	2/2013	Klipstein	
D778,974 S *	2/2017	Masek, Jr.	..... D16/239
D808,458 S *	1/2018	Kim	..... D16/242

\* cited by examiner

FIG. 1

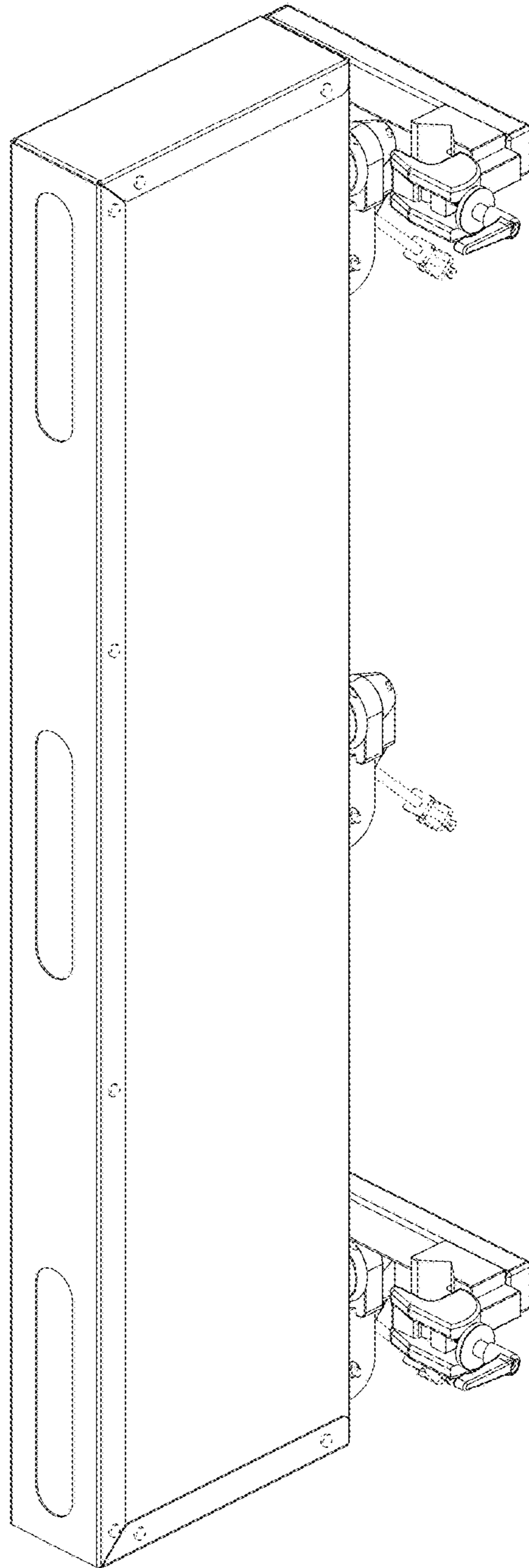


FIG. 2

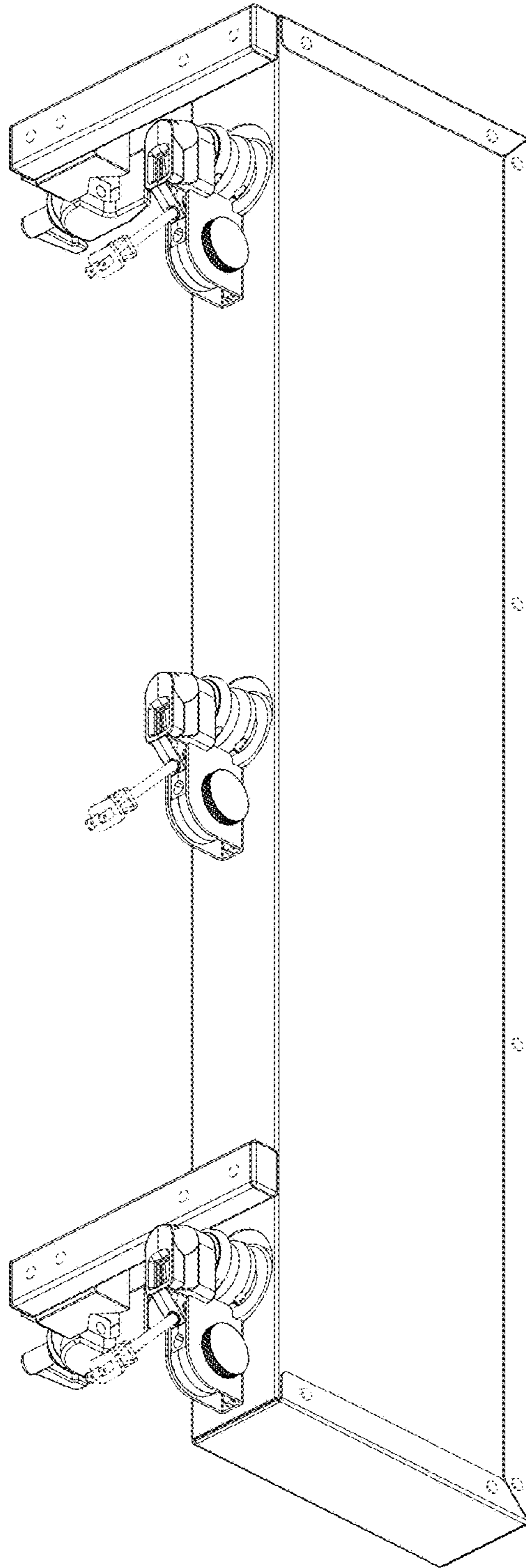


FIG. 3

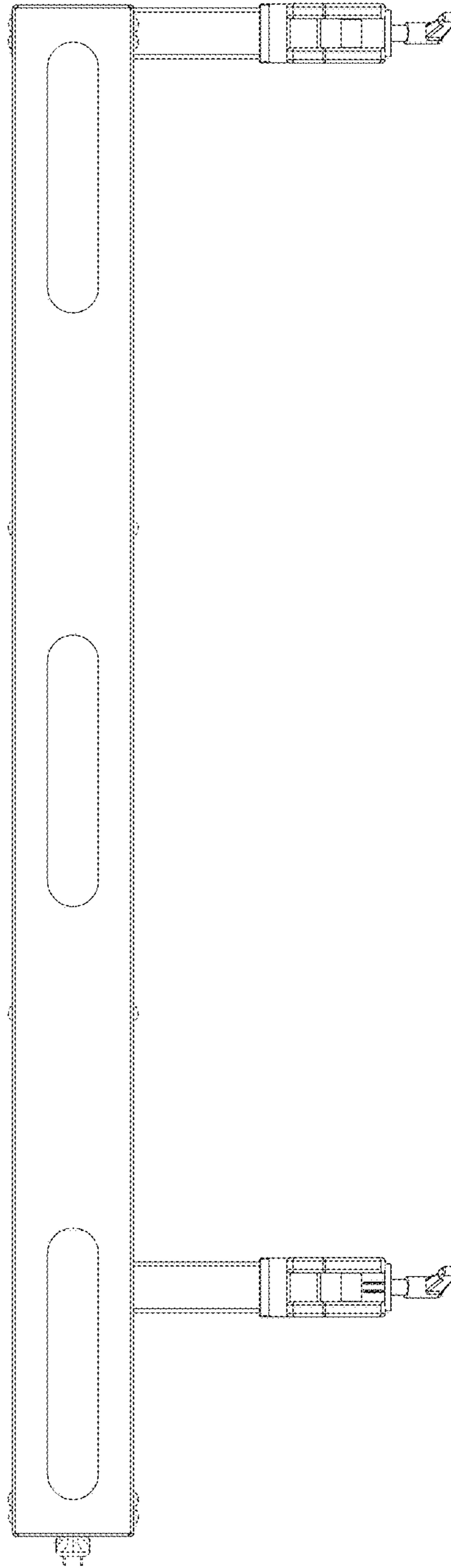


FIG. 4

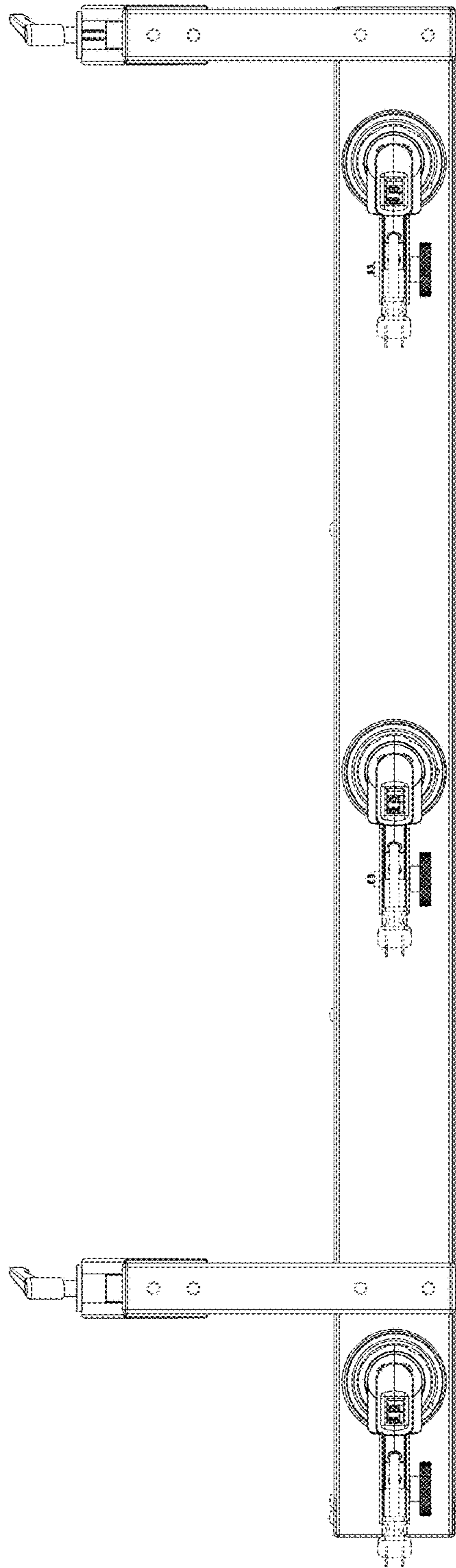


FIG. 5

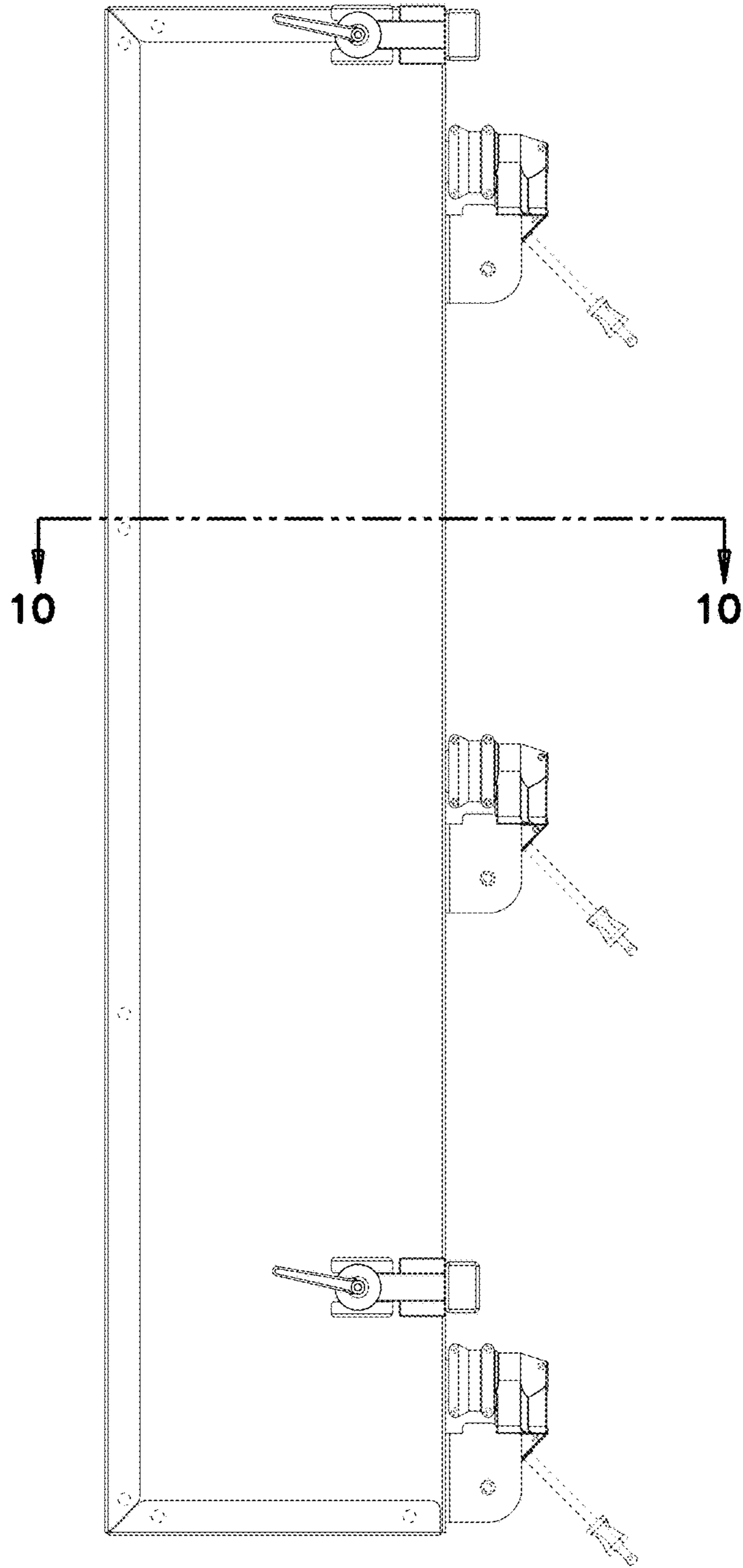


FIG. 6

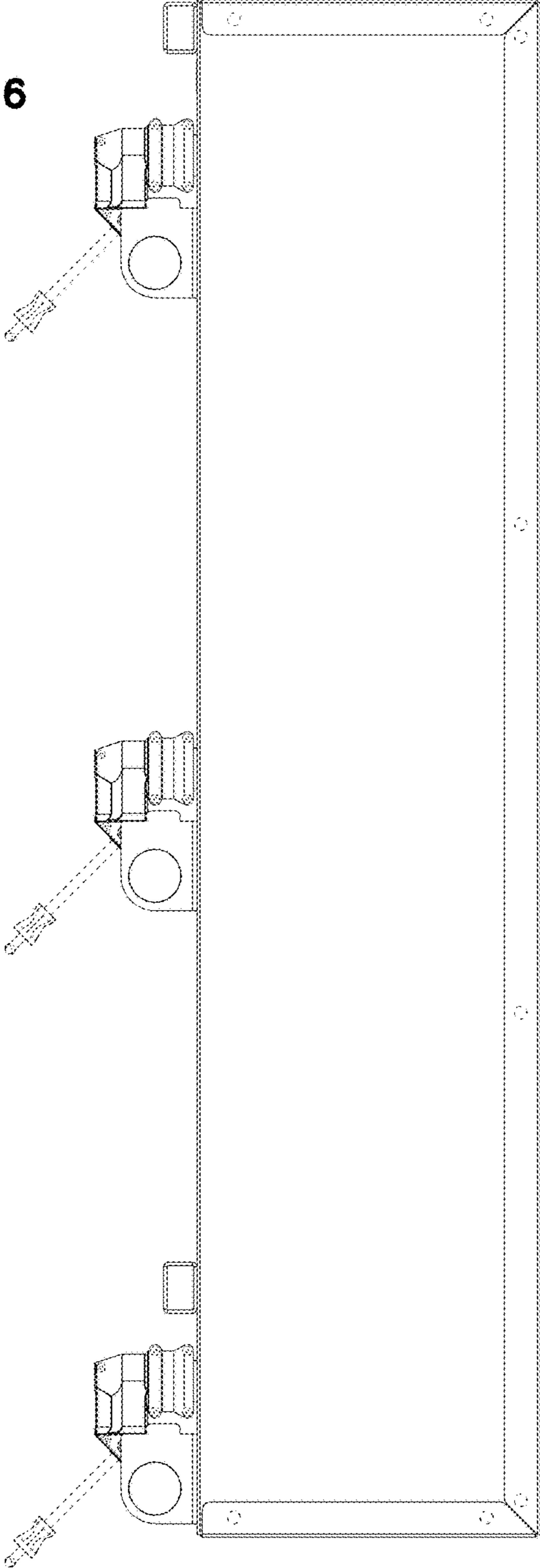




FIG. 7

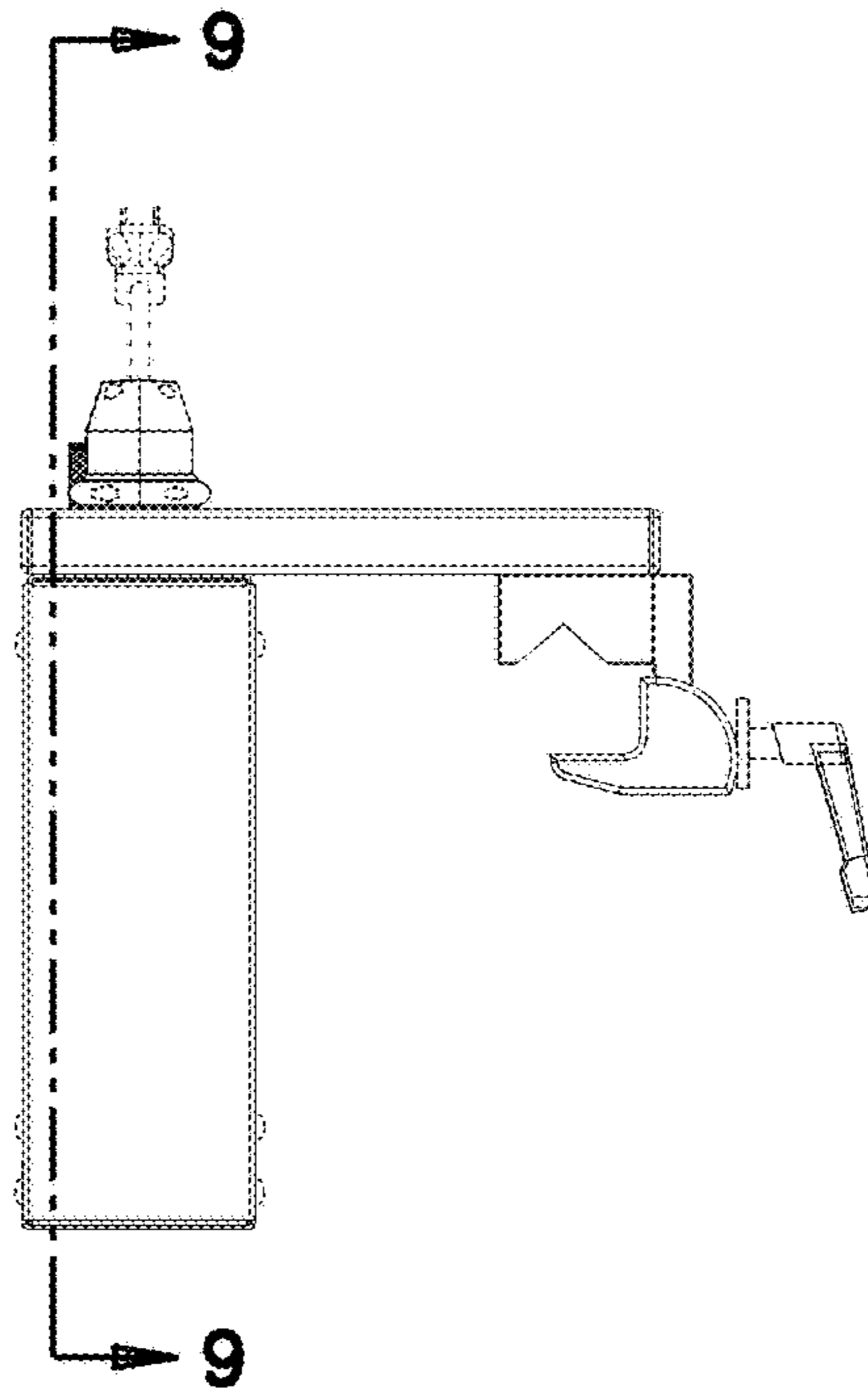


FIG. 8

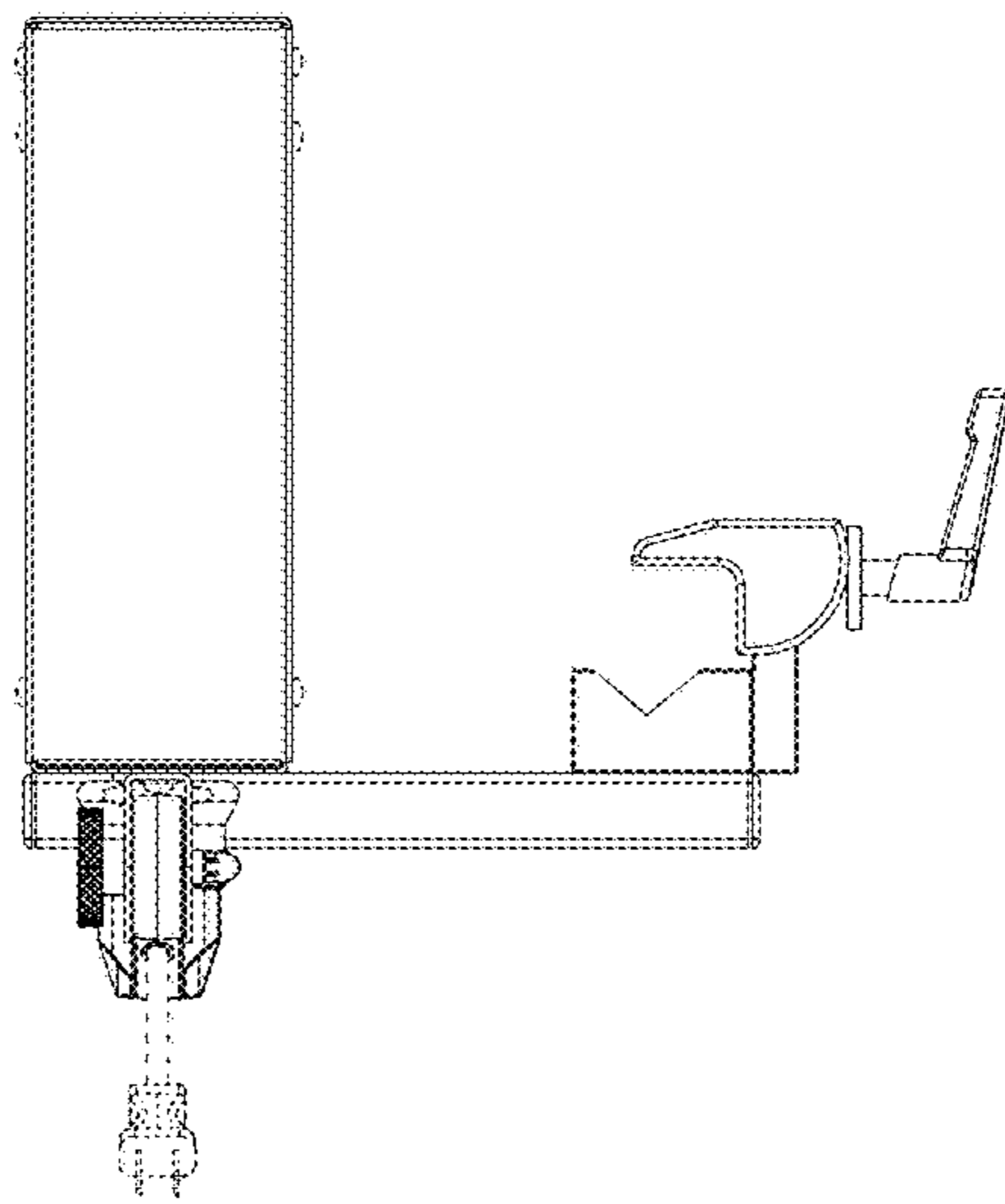


FIG. 9

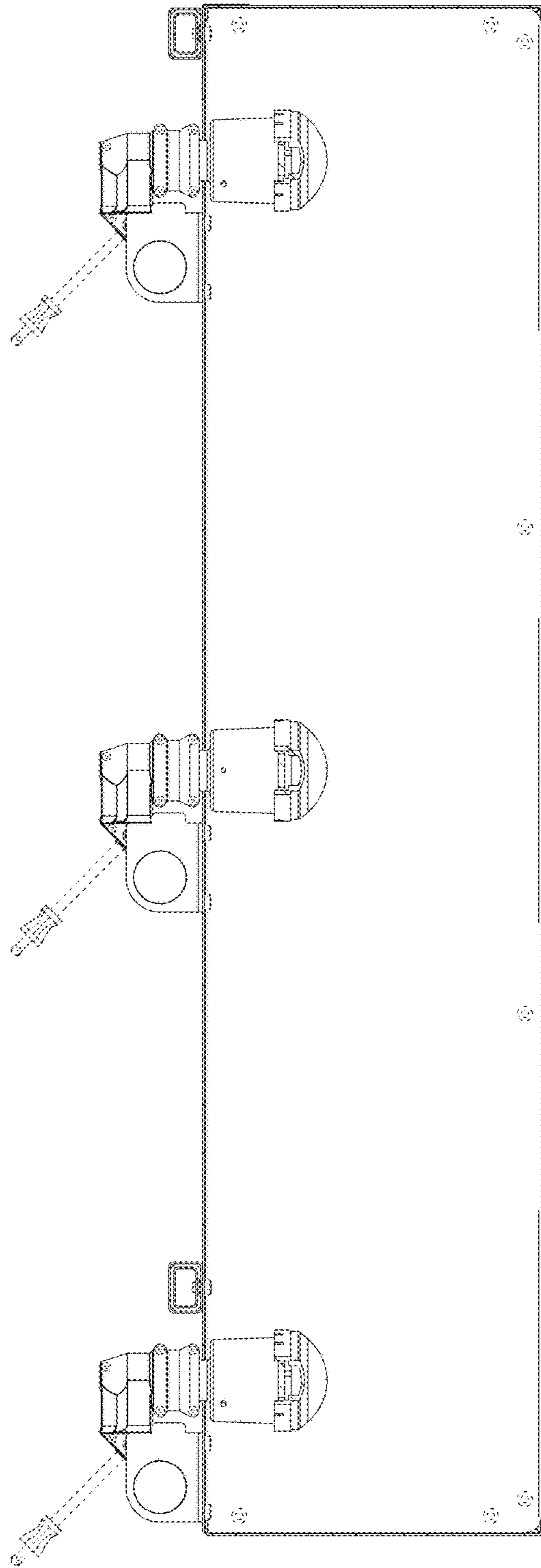


FIG. 10

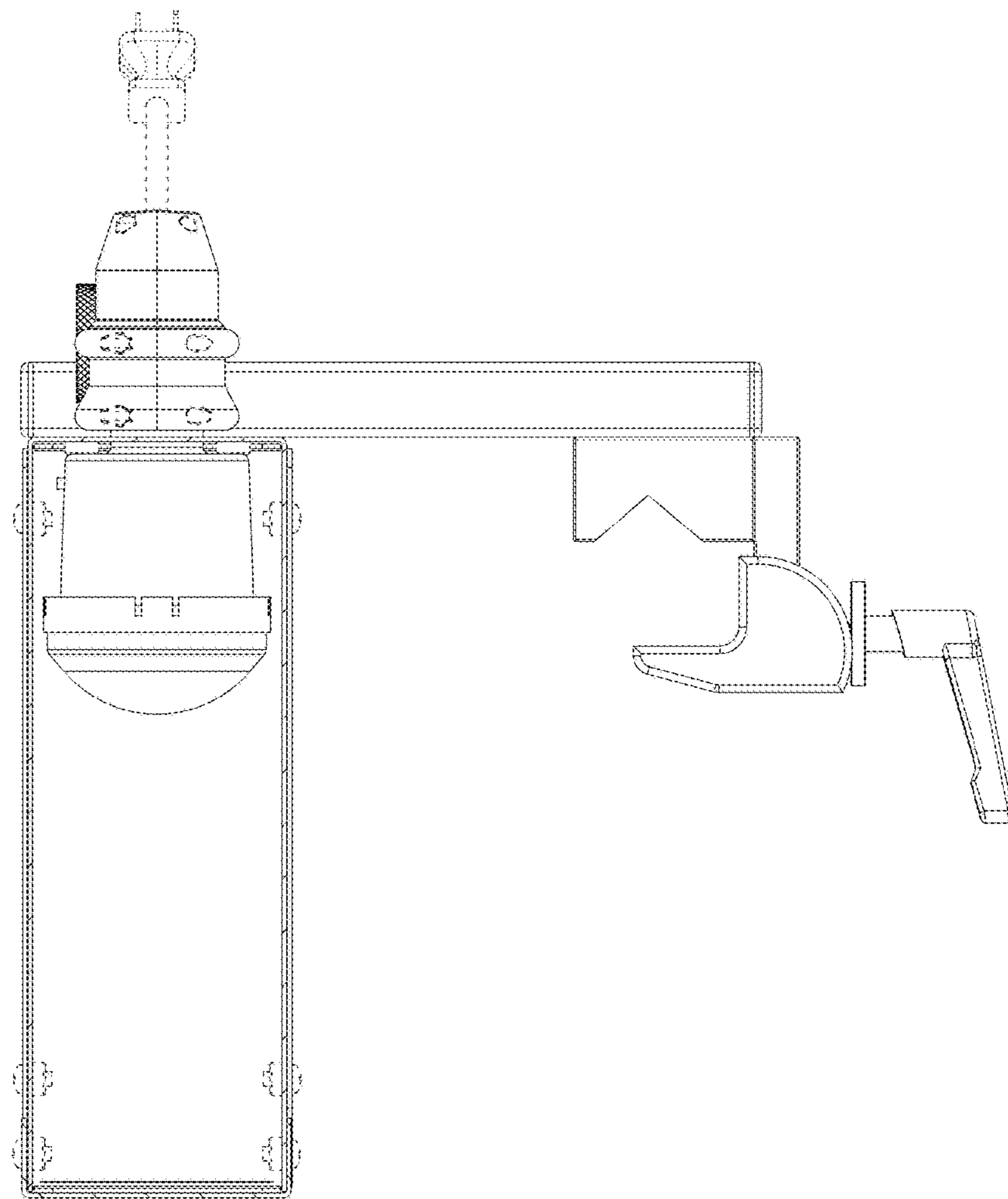


FIG. 11

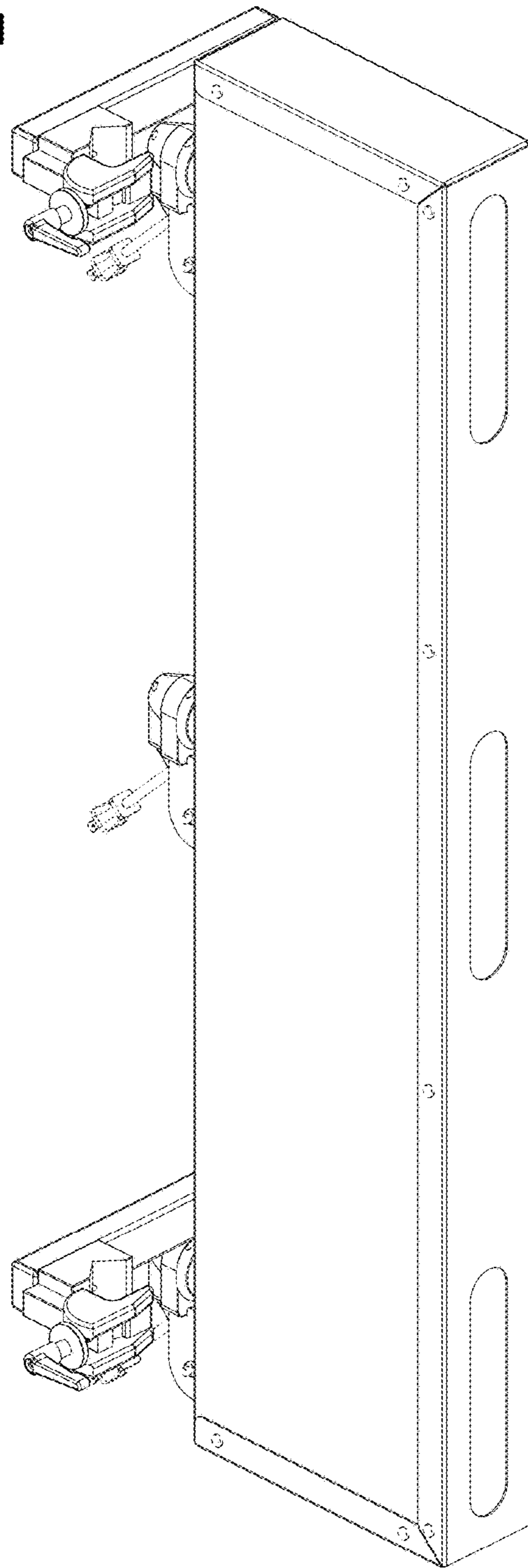


FIG. 12

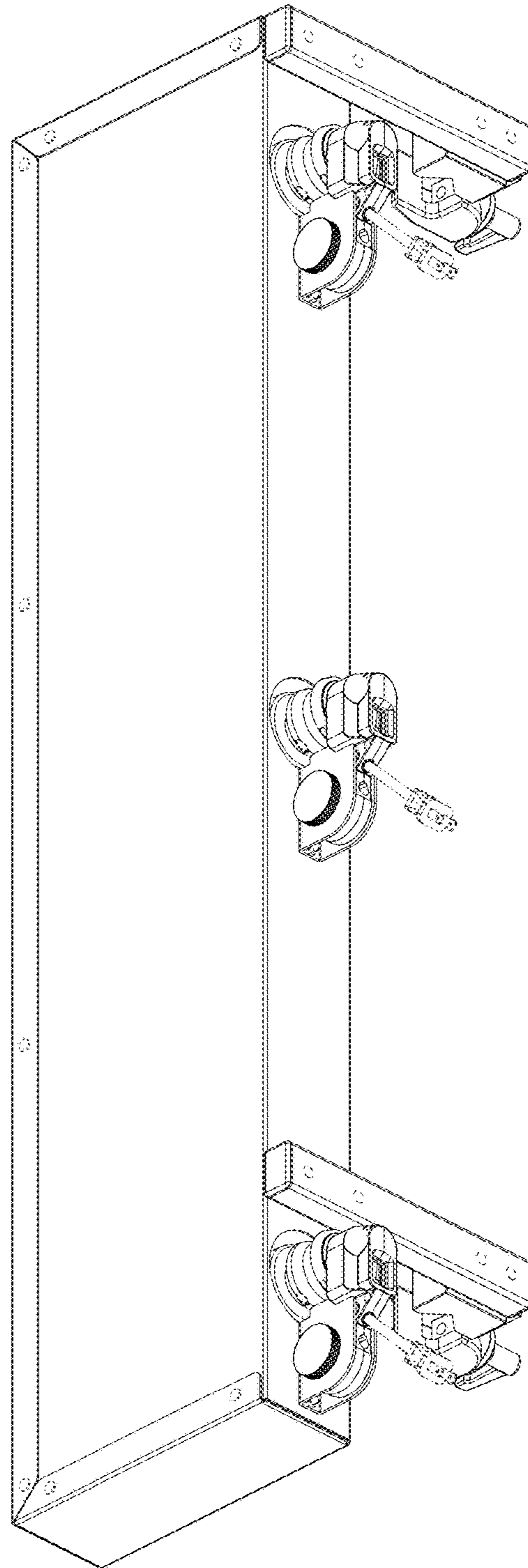


FIG. 13

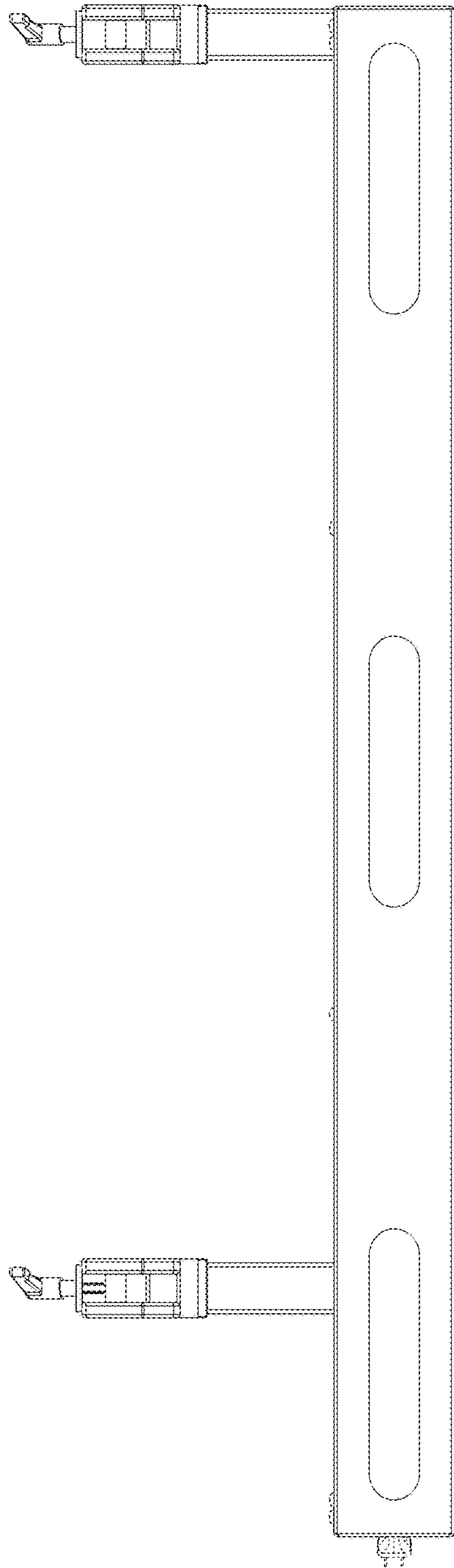


FIG. 14

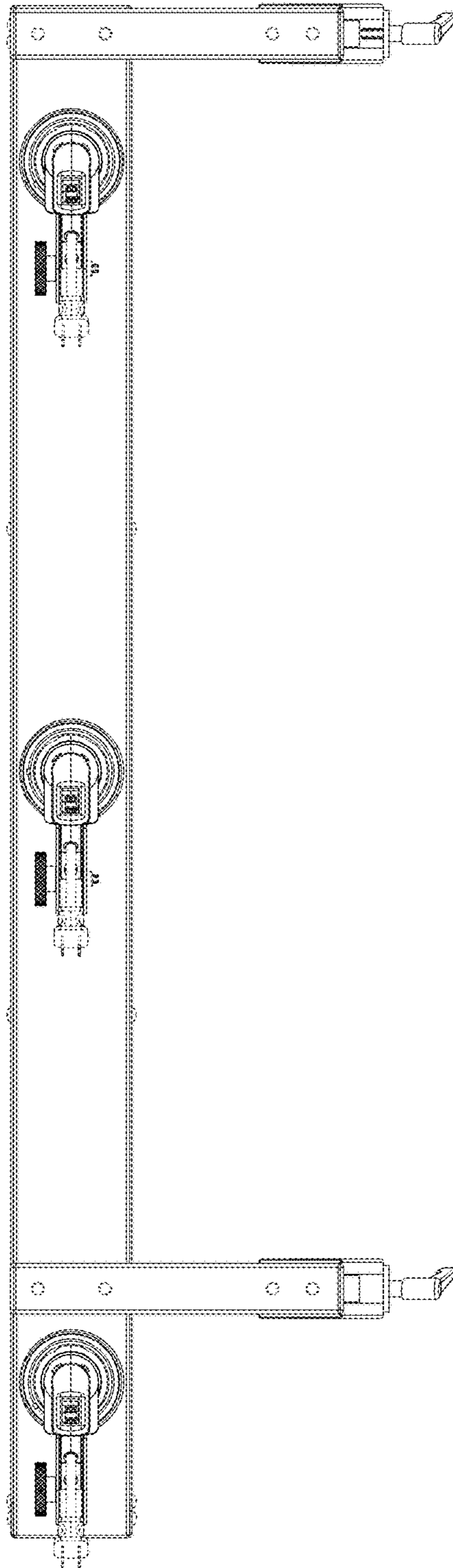




FIG. 15

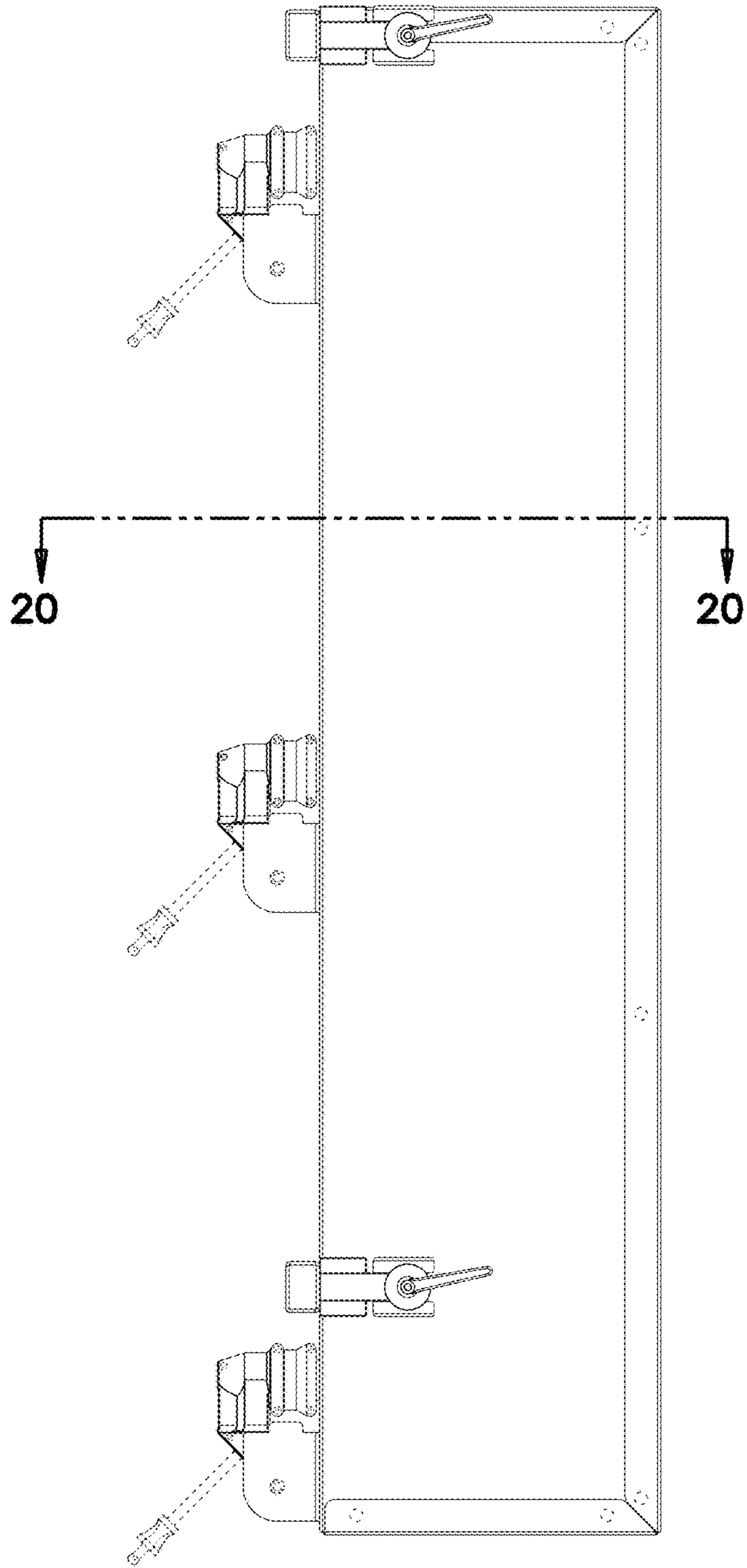


FIG. 16

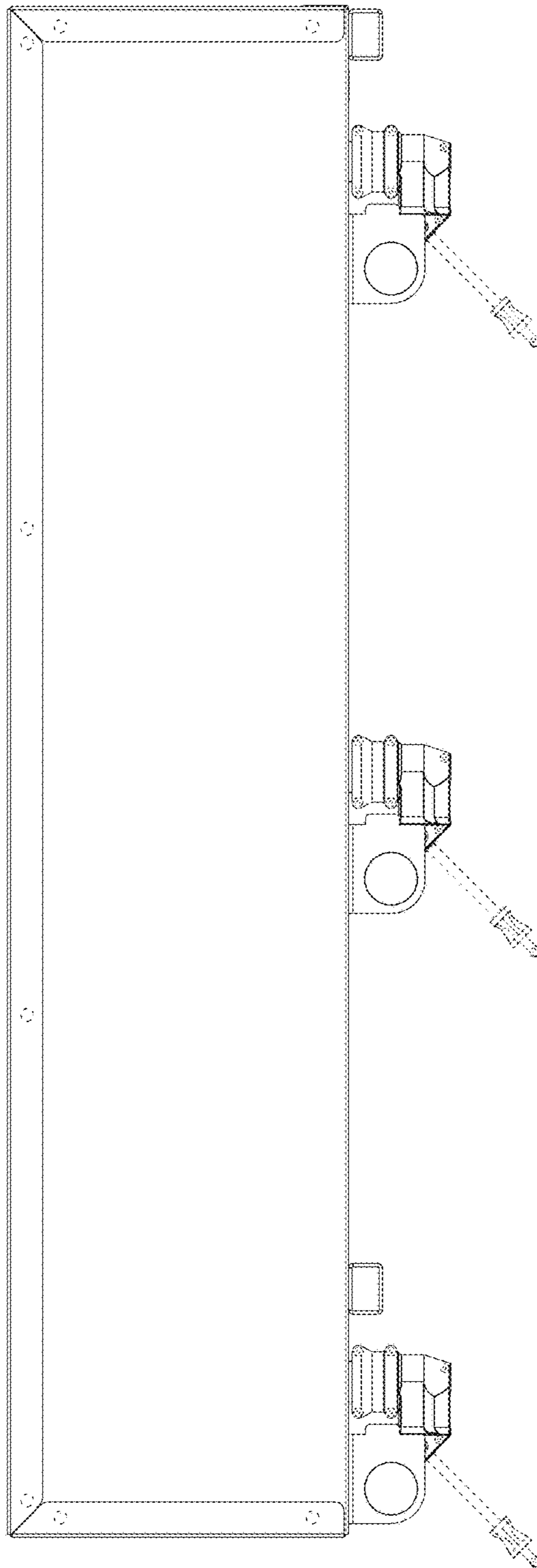


FIG. 17

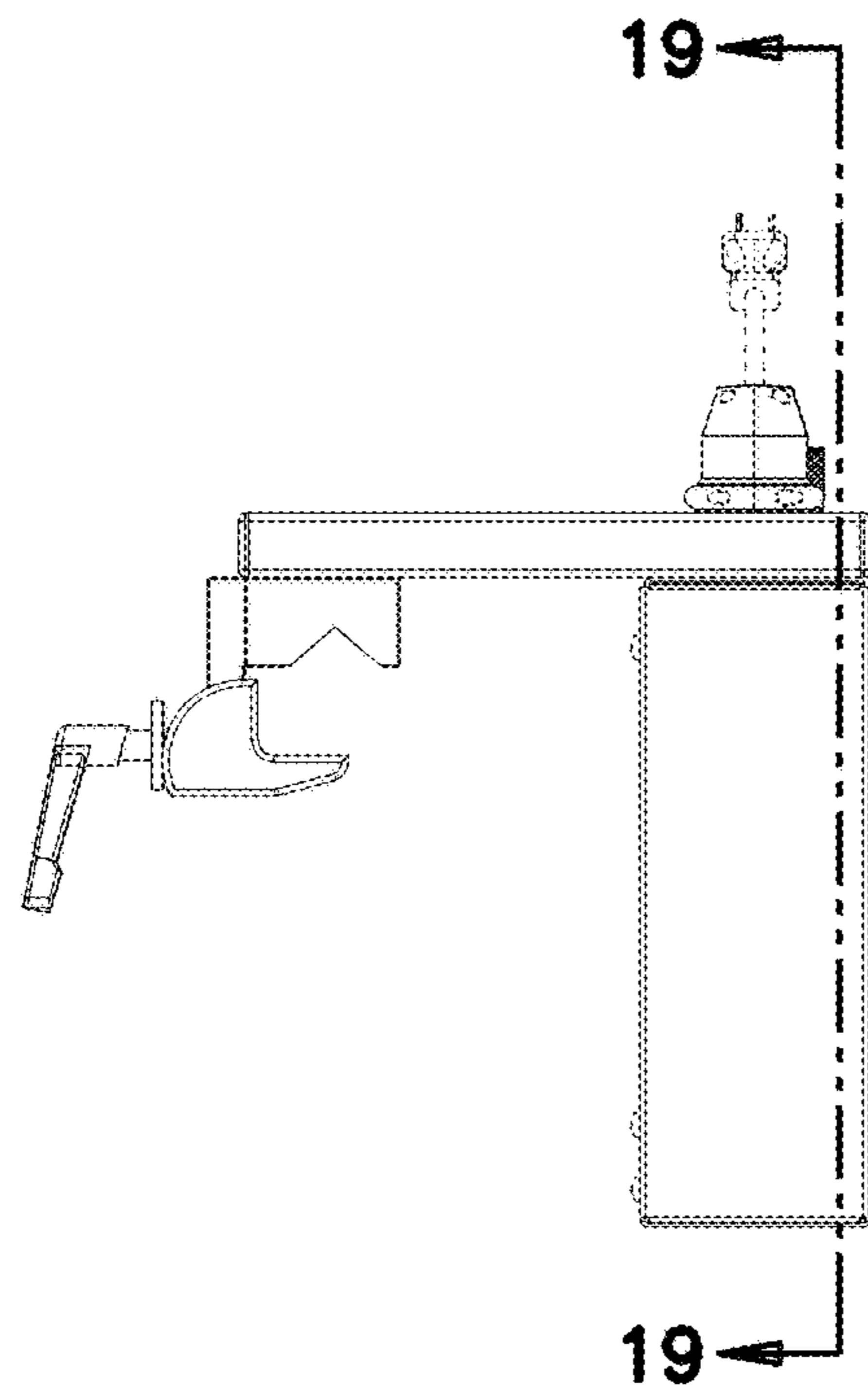


FIG. 18

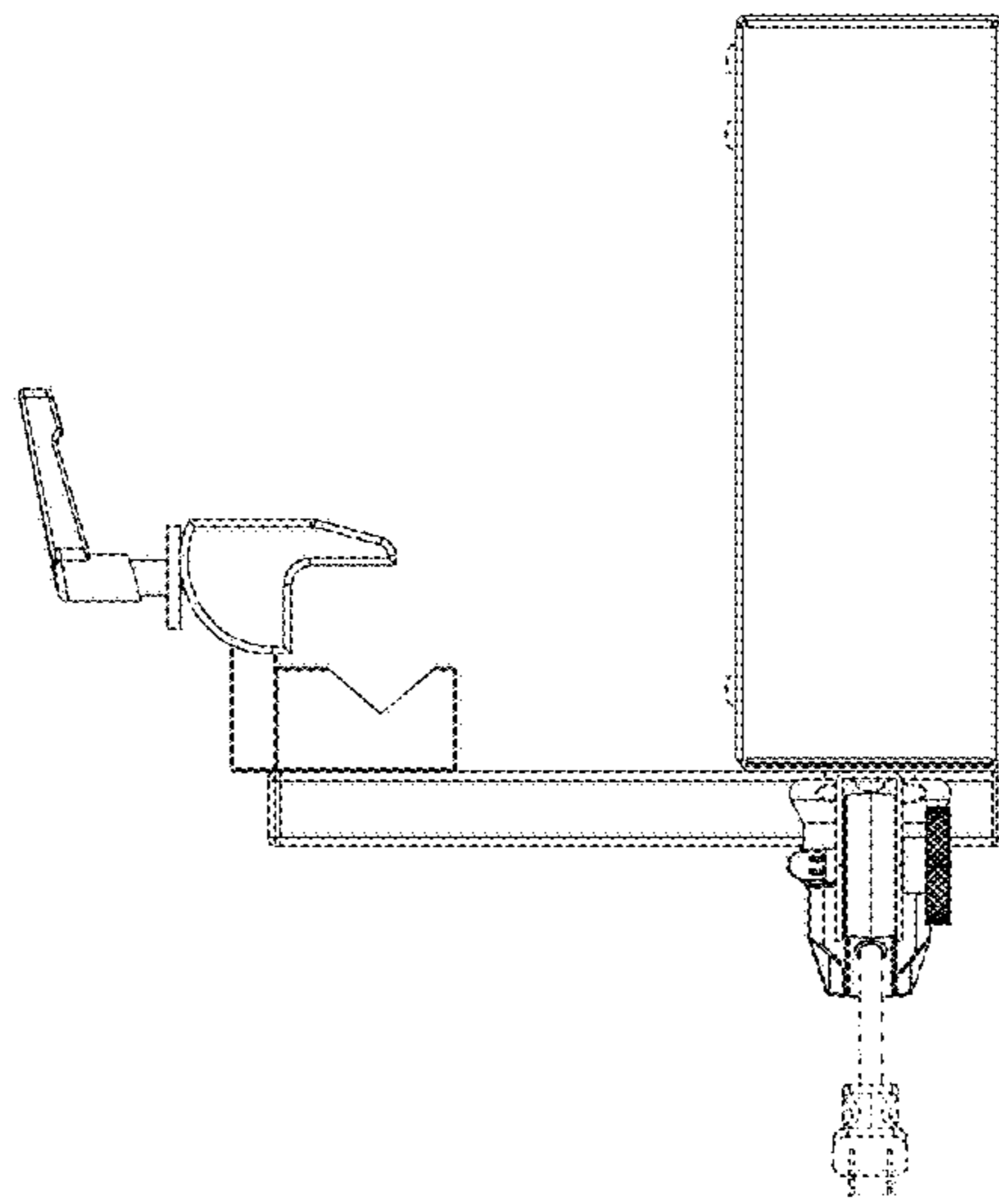


FIG. 19

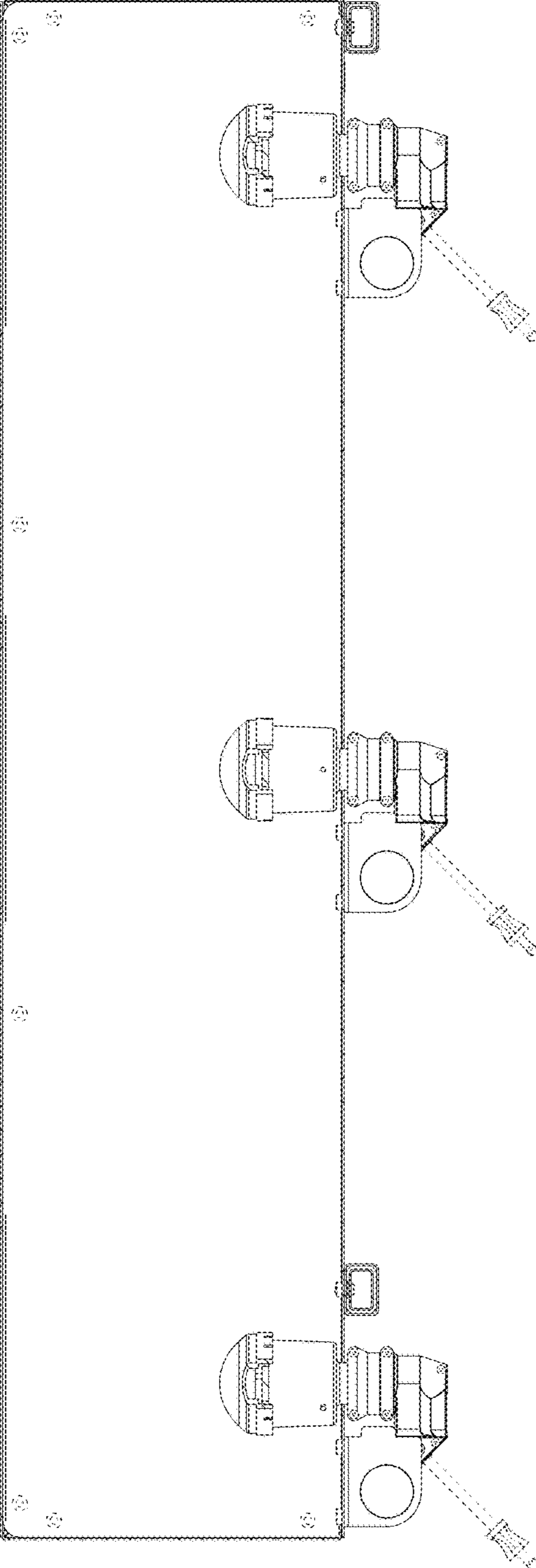


FIG. 20

