



US00D852259S

(12) **United States Design Patent**
Gioscia et al.

(10) **Patent No.:** **US D852,259 S**
(45) **Date of Patent:** **** Jun. 25, 2019**

(54) **CAMERA HOUSING**

(71) Applicant: **GoPro, Inc.**, San Mateo, CA (US)

(72) Inventors: **Richard Gioscia**, Santa Clara, CA (US); **Seunghoon Lee**, Cupertino, CA (US); **Derek Yap**, San Carlos, CA (US); **Evan L. Coons**, San Mateo, CA (US); **Joshua P. Davies**, Fremont, CA (US)

(73) Assignee: **GoPro, Inc.**, San Mateo, CA (US)

(**) Term: **15 Years**

(21) Appl. No.: **29/654,195**

(22) Filed: **Jun. 21, 2018**

Related U.S. Application Data

(63) Continuation of application No. 29/588,383, filed on Dec. 20, 2016, now Pat. No. Des. 821,481, which is a continuation of application No. 29/557,076, filed on Mar. 4, 2016, now Pat. No. Des. 778,336, which is a continuation of application No. 29/516,749, filed on Feb. 5, 2015, now Pat. No. Des. 751,133, which is a continuation of application No. 29/491,394, filed on May 20, 2014, now Pat. No. Des. 725,169, which is a continuation of application No. 29/461,140, filed on Jul. 18, 2013, now Pat. No. Des. 710,921.

(51) **LOC (11) Cl.** **16-05**

(52) **U.S. Cl.**
USPC **D16/219**; D16/200

(58) **Field of Classification Search**
USPC D16/200, 202–204, 208, 211, 218, 219, D16/237, 242; D3/263, 267, 268, 294; 248/176.1, 187.1; 348/81, 360, 373–376, 348/835; 396/25, 27–29, 419, 535, 396/539–541; D8/323, 331; D14/253
CPC G03B 15/03; G03B 17/02; G03B 17/04; G03B 17/08; G03B 17/56; G03B 19/04; H04N 5/2251; H04N 5/2252; H04N 5/2253; H04N 5/2254; A45C 11/38

See application file for complete search history.

(56) **References Cited**

U.S. PATENT DOCUMENTS

D321,704 S 11/1991 Leonard
D367,283 S 2/1996 Lyon
D419,296 S 1/2000 Shinano
D425,092 S 5/2000 Eto
D453,177 S 1/2002 Uehara
D540,669 S 4/2007 George

(Continued)

Primary Examiner — Ramzi S Almatrahi

(74) *Attorney, Agent, or Firm* — Young Basile Hanlon & MacFarlane, P.C.

(57) **CLAIM**

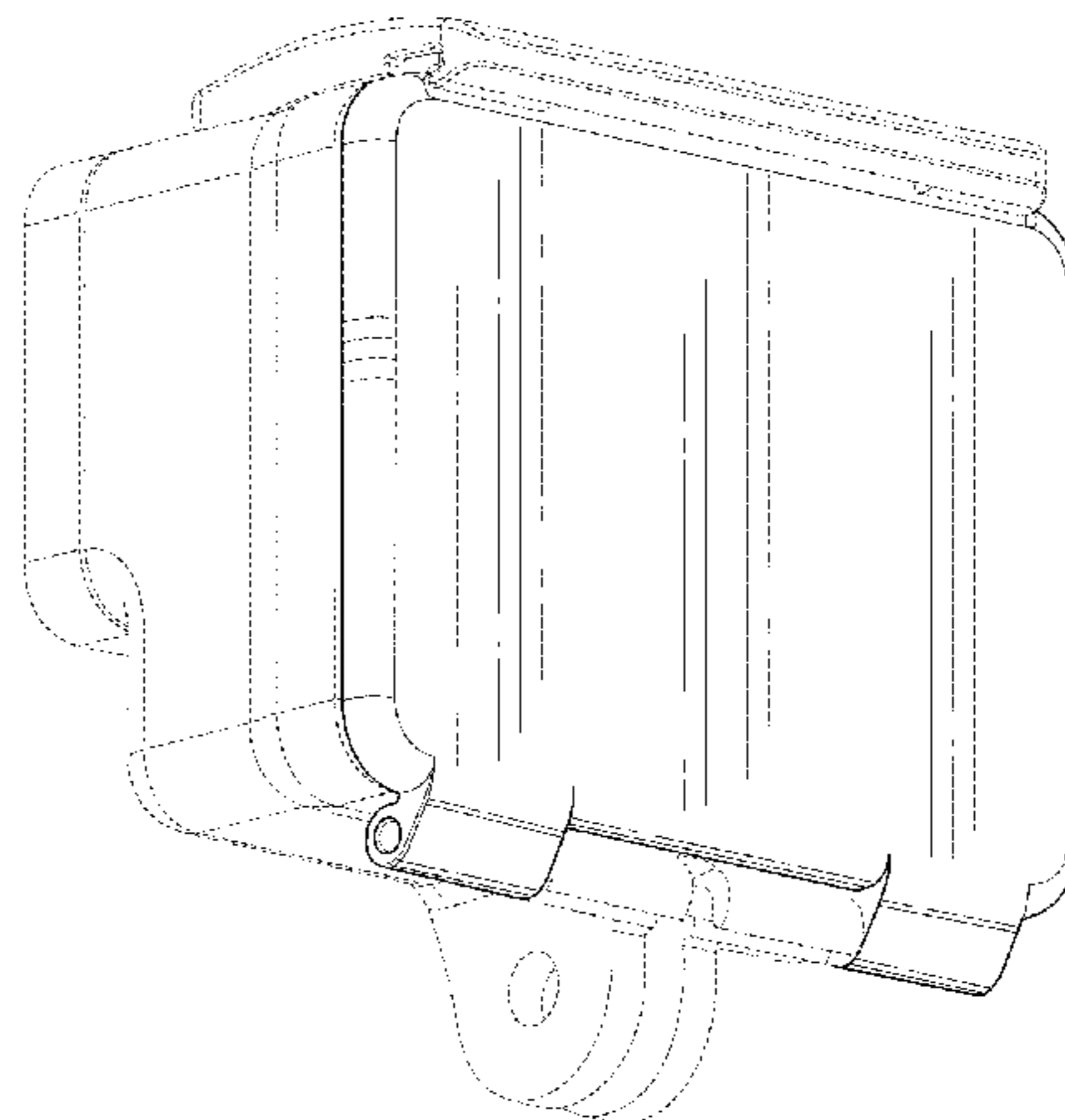
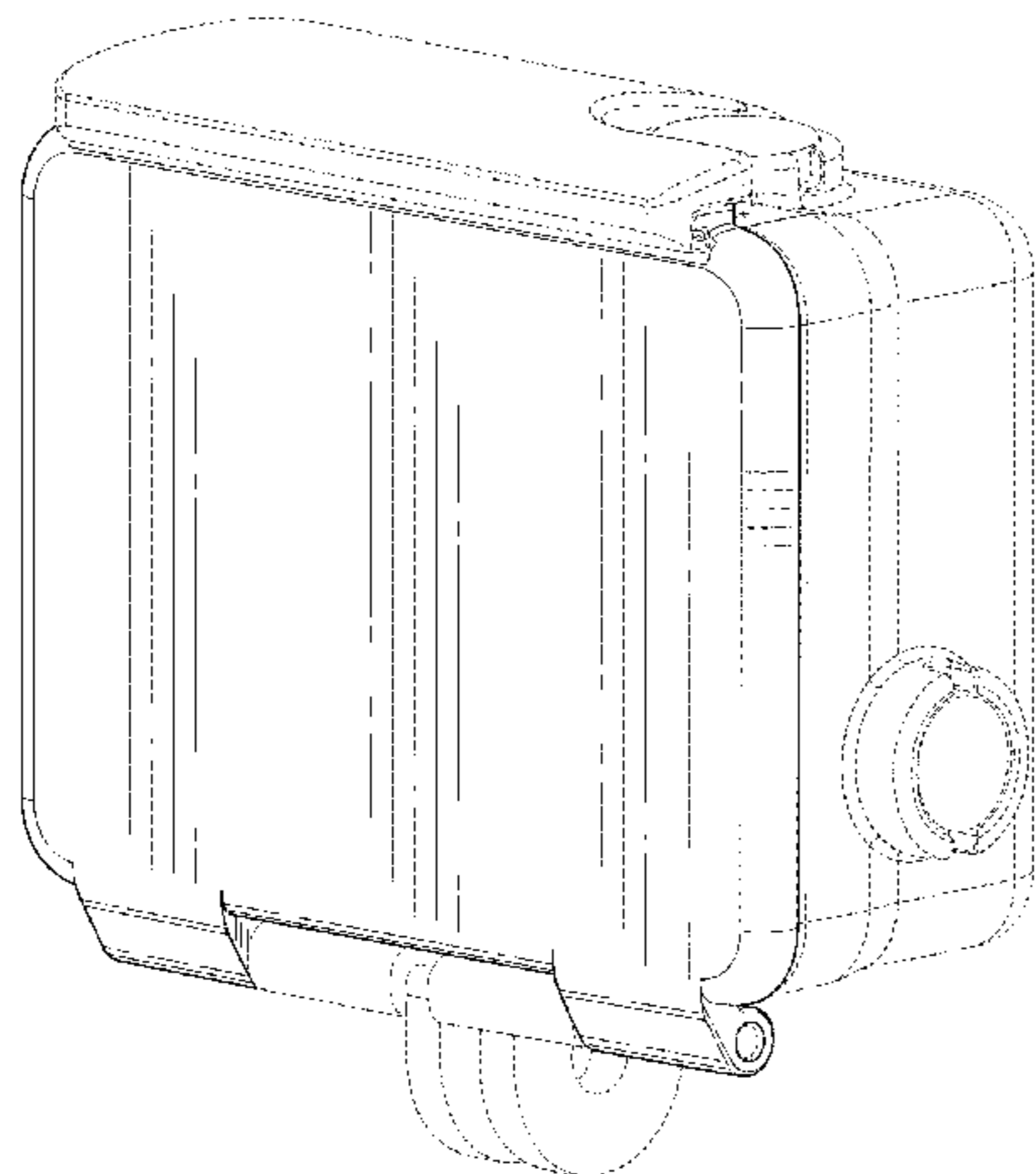
The ornamental design for a camera housing, as shown and described.

DESCRIPTION

FIG. 1 is a front, top and right side perspective view of a camera housing showing our new design;
FIG. 2 is a front, bottom and left side perspective view thereof;
FIG. 3 is a rear, bottom and right side perspective view thereof;
FIG. 4 is a rear, bottom and left side perspective view thereof;
FIG. 5 is a front elevational view thereof;
FIG. 6 is a rear elevational view thereof;
FIG. 7 is a left side elevational view thereof;
FIG. 8 is a right side elevational view thereof;
FIG. 9 is a top plan view thereof; and,
FIG. 10 is a bottom plan view thereof.

The broken lines in the drawings represent unclaimed subject matter of the camera housing and form no part of the claimed design.

1 Claim, 10 Drawing Sheets



(56)

References Cited

U.S. PATENT DOCUMENTS

D550,742 S 9/2007 Ishii
 7,653,292 B2 1/2010 Yamaguchi
 D616,479 S 5/2010 Ganahl
 D621,432 S 8/2010 Yim
 D622,591 S 8/2010 Biesecker
 D635,436 S 4/2011 Barton
 D635,437 S 4/2011 Barton
 D635,438 S 4/2011 Barton
 D635,439 S 4/2011 Barton
 D635,440 S 4/2011 Barton
 D640,058 S * 6/2011 Molina D3/294
 D642,054 S 7/2011 Samartgis
 D645,725 S 9/2011 Katz
 8,014,656 B2 9/2011 Woodman
 D646,313 S 10/2011 Woodman
 D647,303 S * 10/2011 Mish D3/294
 D647,554 S 10/2011 Yim
 D657,808 S 4/2012 Woodman
 D657,811 S 4/2012 Woodman
 D668,874 S * 10/2012 Robinson D3/293
 D674,428 S 1/2013 Woodman
 D674,429 S 1/2013 Woodman
 D684,569 S 6/2013 Willenborg
 D685,178 S * 7/2013 Lv D3/206
 8,544,643 B2 10/2013 Yim
 D693,114 S * 11/2013 Lemanski, Sr. D3/203.8
 8,596,890 B2 12/2013 Yim
 D699,947 S 2/2014 To
 D700,778 S 3/2014 To
 D702,276 S 4/2014 Woodman
 D702,277 S 4/2014 Woodman
 D702,747 S 4/2014 Woodman
 D702,754 S 4/2014 Bould

D710,611 S * 8/2014 To D14/250
 D710,921 S 8/2014 Gioscia
 D710,922 S 8/2014 Gioscia
 8,870,475 B1 10/2014 Bennett
 D719,811 S 12/2014 Cooper
 D721,395 S 1/2015 Woodman
 D724,638 S 3/2015 Samuels
 D725,169 S 3/2015 Gioscia
 9,004,783 B1 4/2015 Woodman
 D729,515 S * 5/2015 Slimane D3/242
 D732,593 S 6/2015 Woodman
 D733,787 S 7/2015 Baker
 D733,788 S 7/2015 Baker
 D734,799 S 7/2015 Woodman
 D735,260 S 7/2015 Bould
 D739,451 S 9/2015 Gioscia
 D740,868 S 10/2015 Gioscia
 D740,876 S 10/2015 Woodman
 D741,394 S 10/2015 Gioscia
 D750,146 S 2/2016 Costa
 D750,680 S 3/2016 Chen
 D751,133 S 3/2016 Gioscia
 D754,240 S 4/2016 Samuels
 D772,322 S * 11/2016 Zhang D16/200
 D778,335 S 2/2017 Gioscia
 D789,435 S * 6/2017 Nguyen D16/202
 D799,479 S * 10/2017 Wieser D14/358
 D800,819 S * 10/2017 Parfitt D16/219
 D804,560 S * 12/2017 Costa D16/200
 D806,775 S * 1/2018 Nguyen D16/218
 D818,029 S * 5/2018 Fujita D16/218
 2003/0133206 A1 7/2003 Belefant
 2007/0071423 A1 3/2007 Fantone
 2009/0317069 A1 12/2009 Yim
 2016/0252801 A1 9/2016 Harrison

* cited by examiner

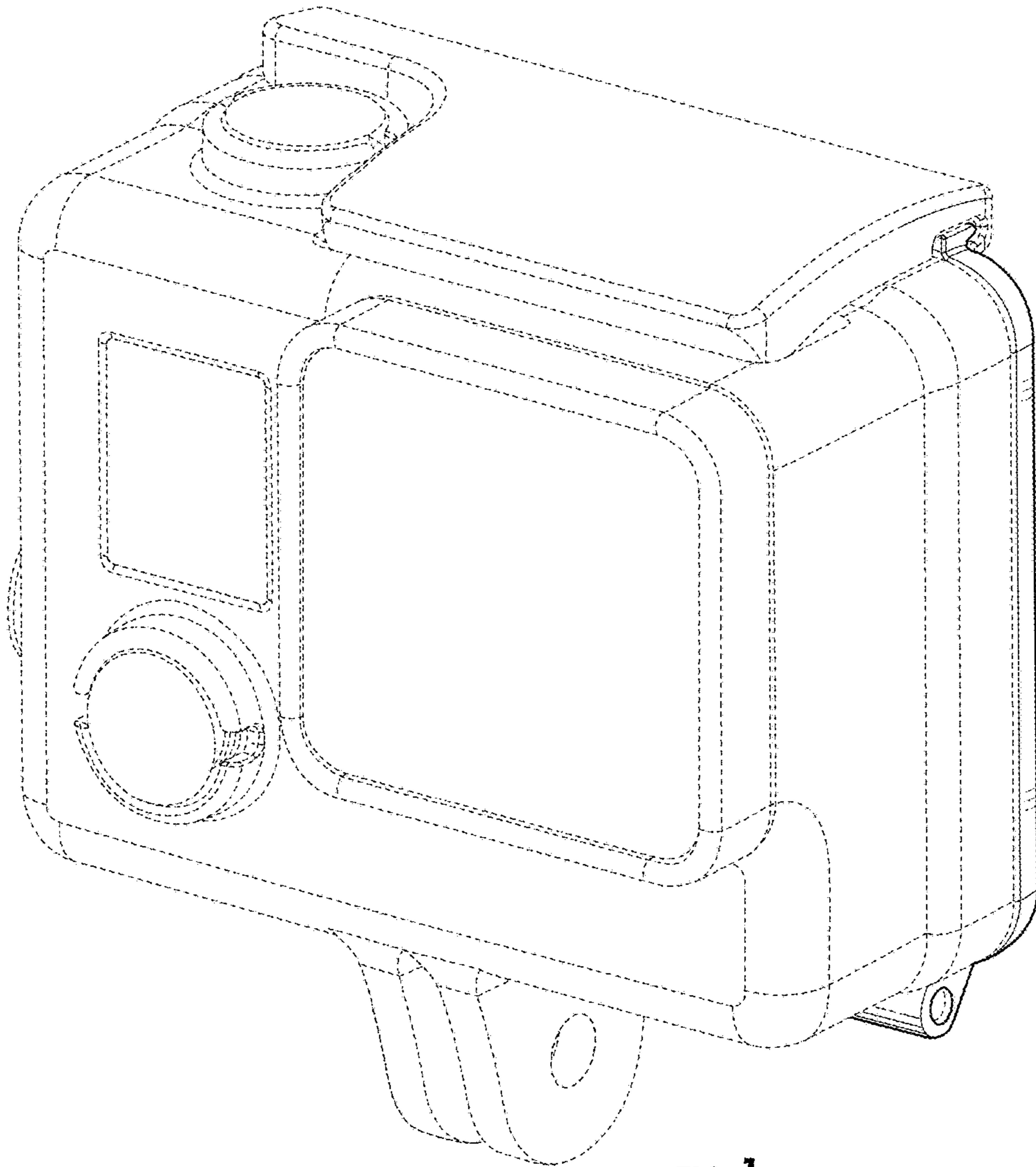


FIG. 1

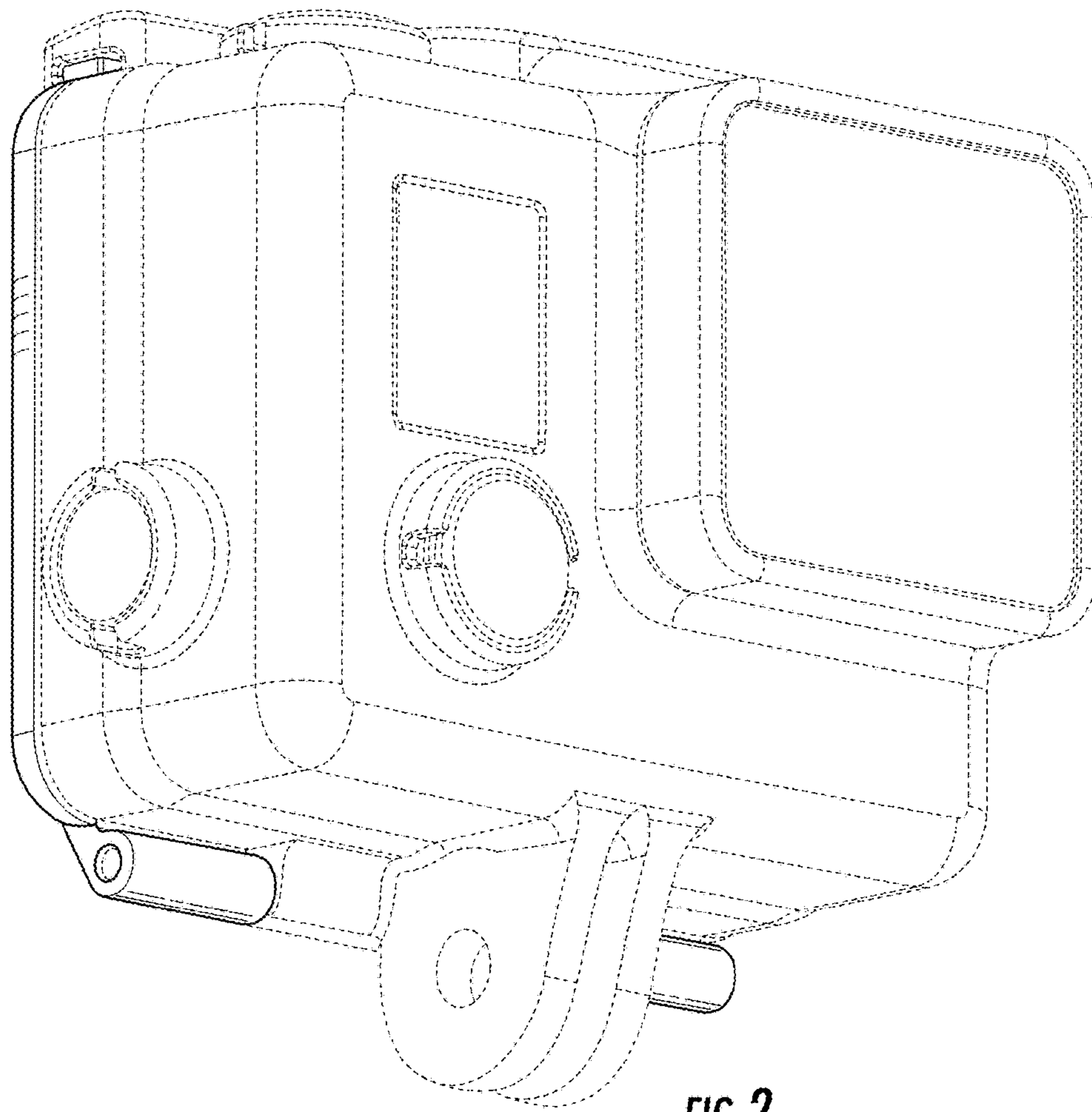
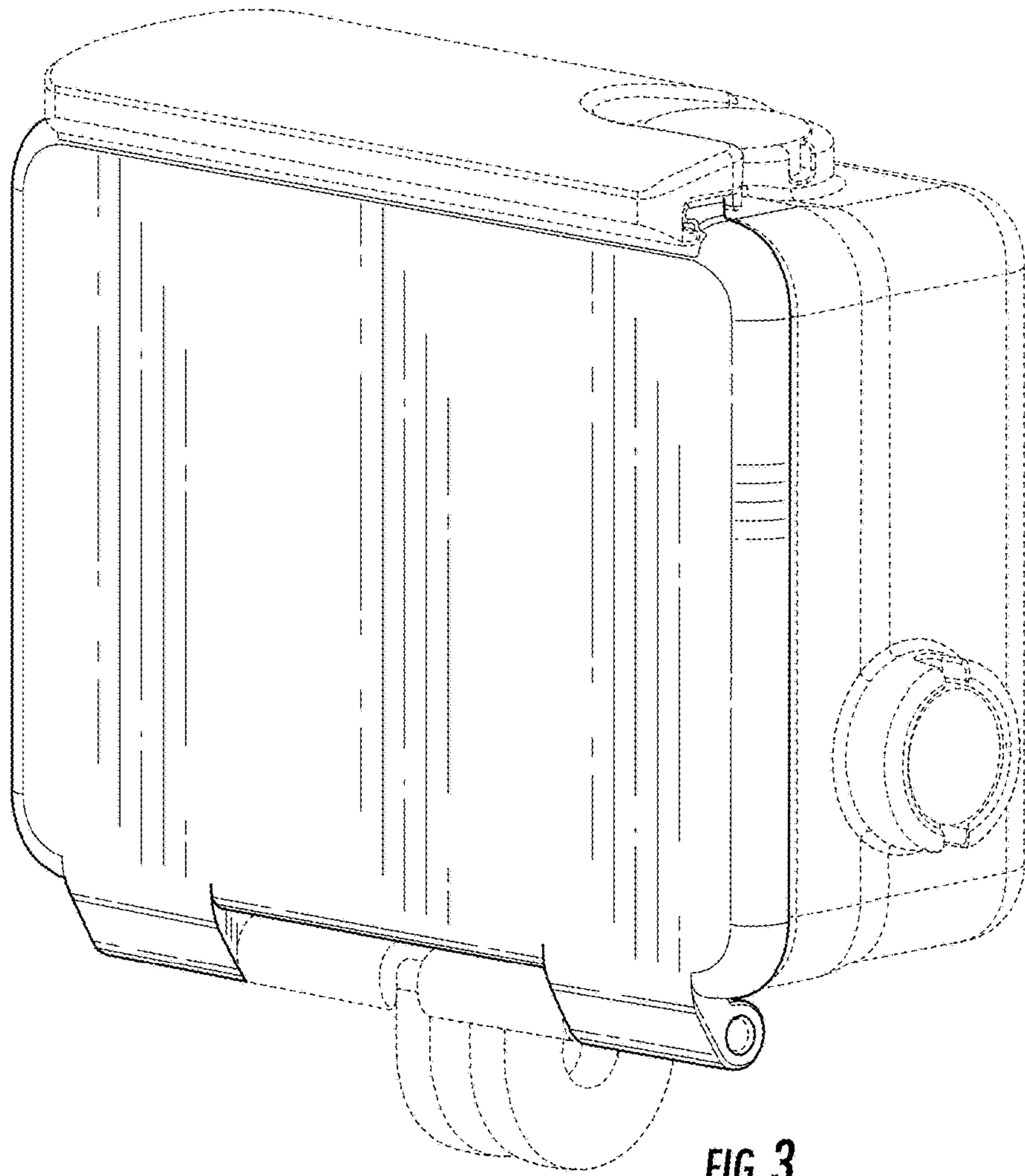


FIG. 2



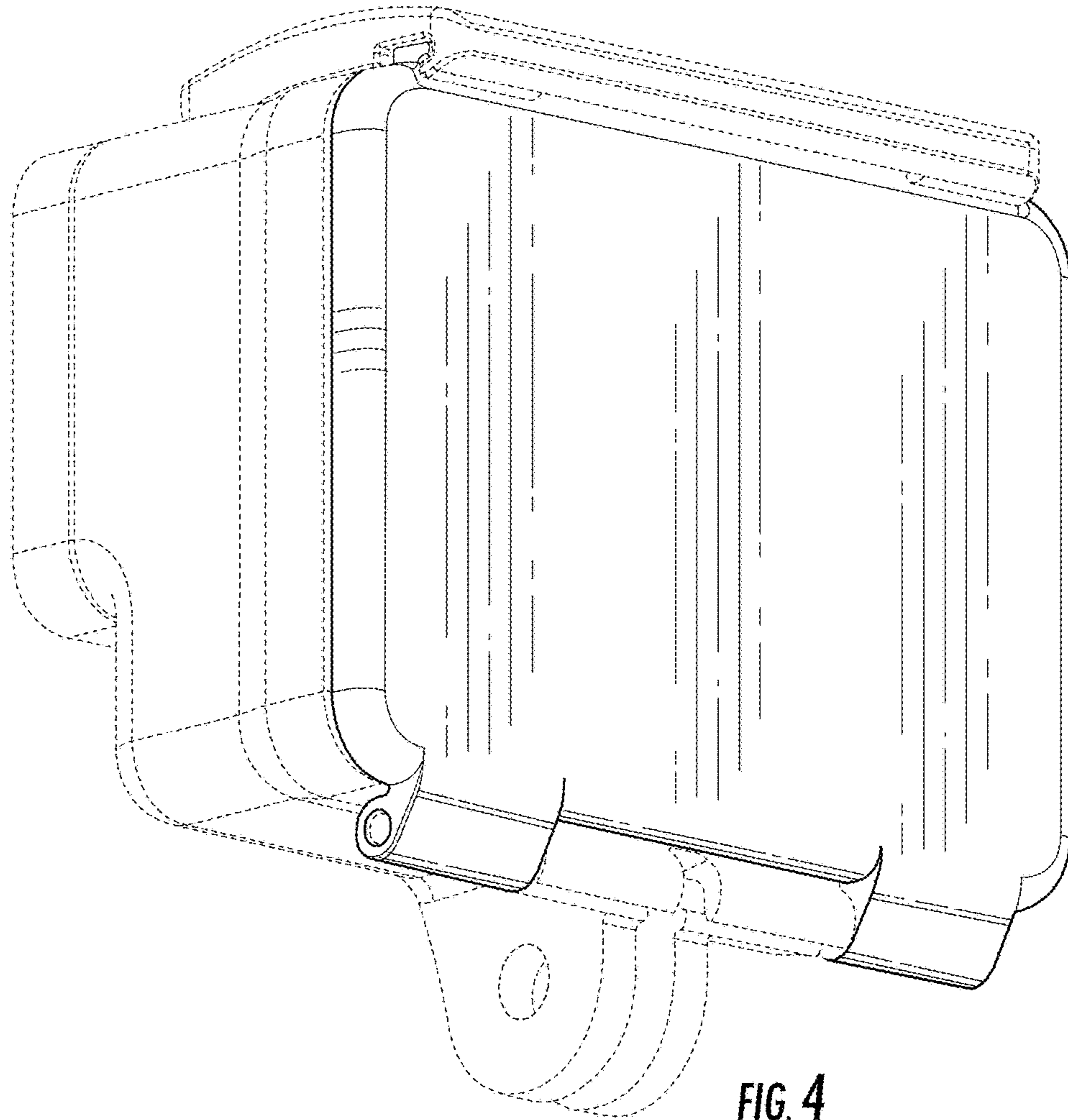


FIG. 4

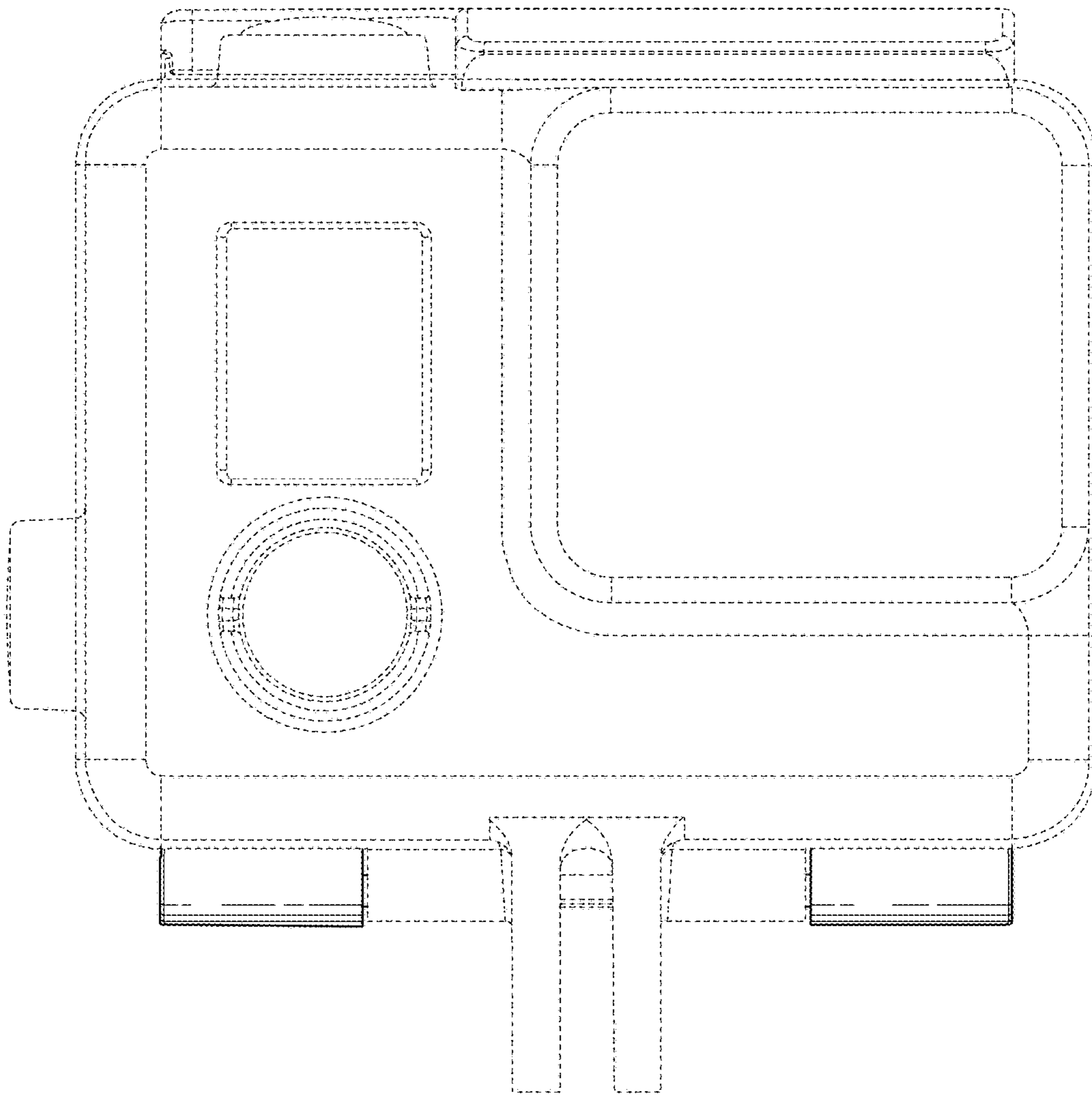


FIG. 5

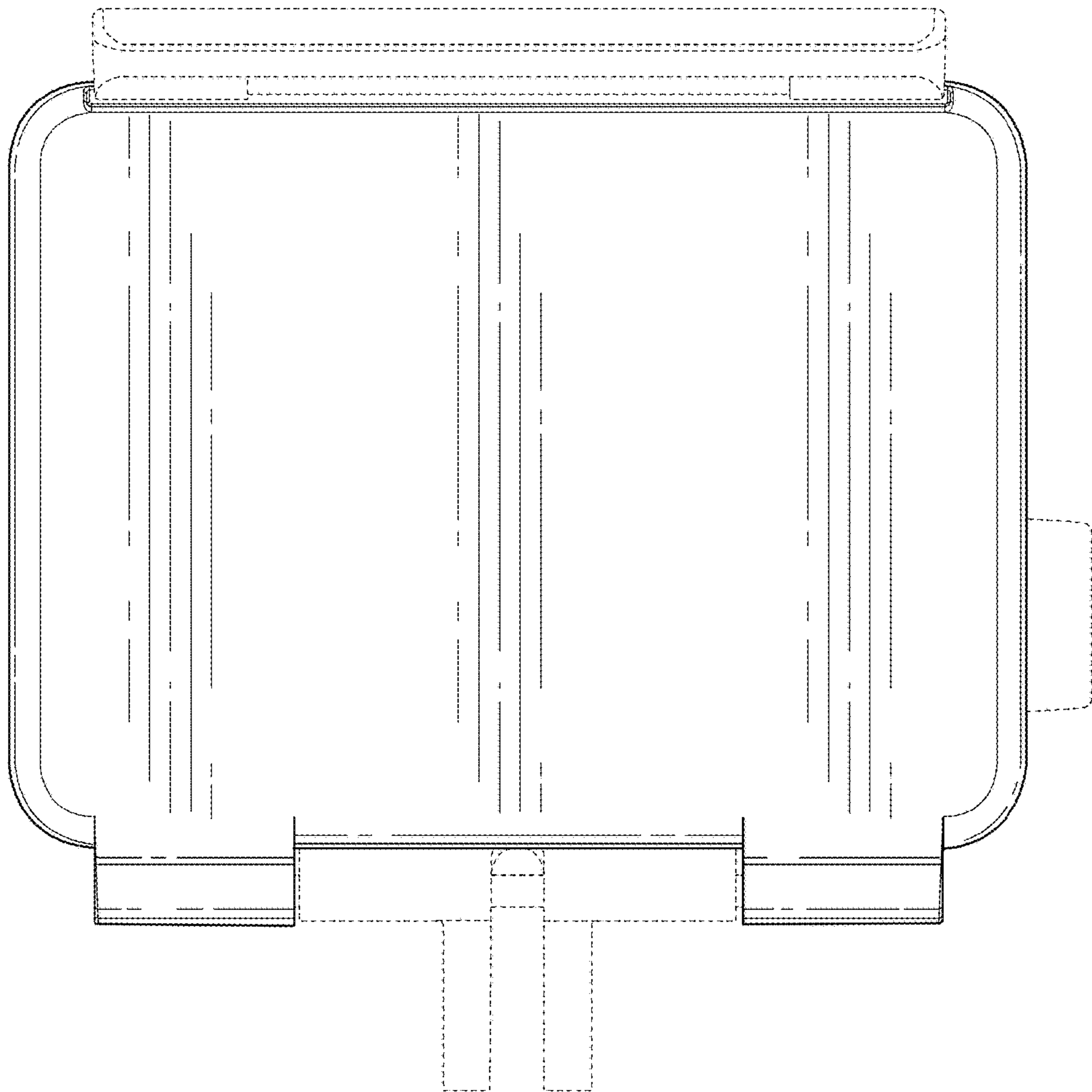


FIG. 6

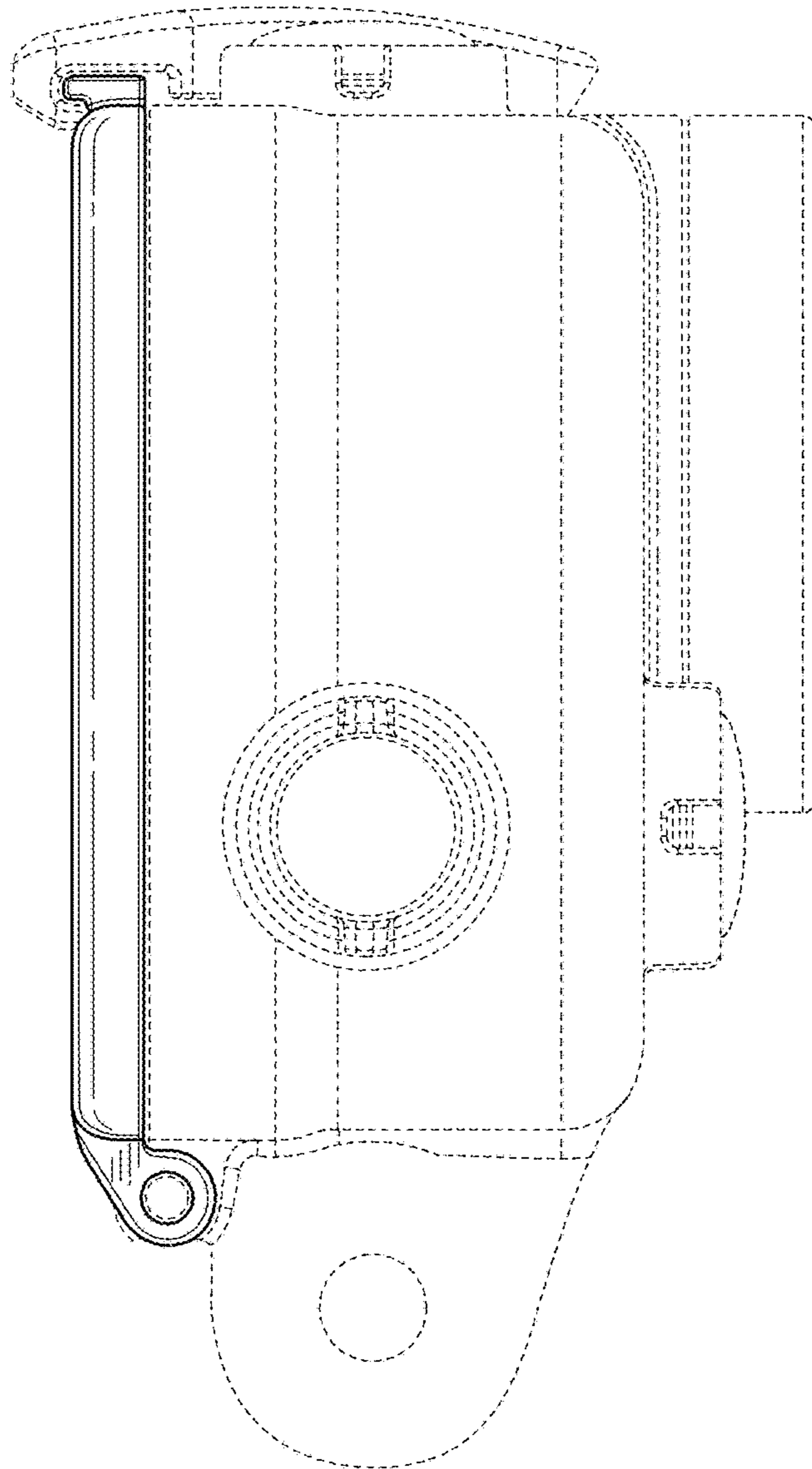


FIG. 7

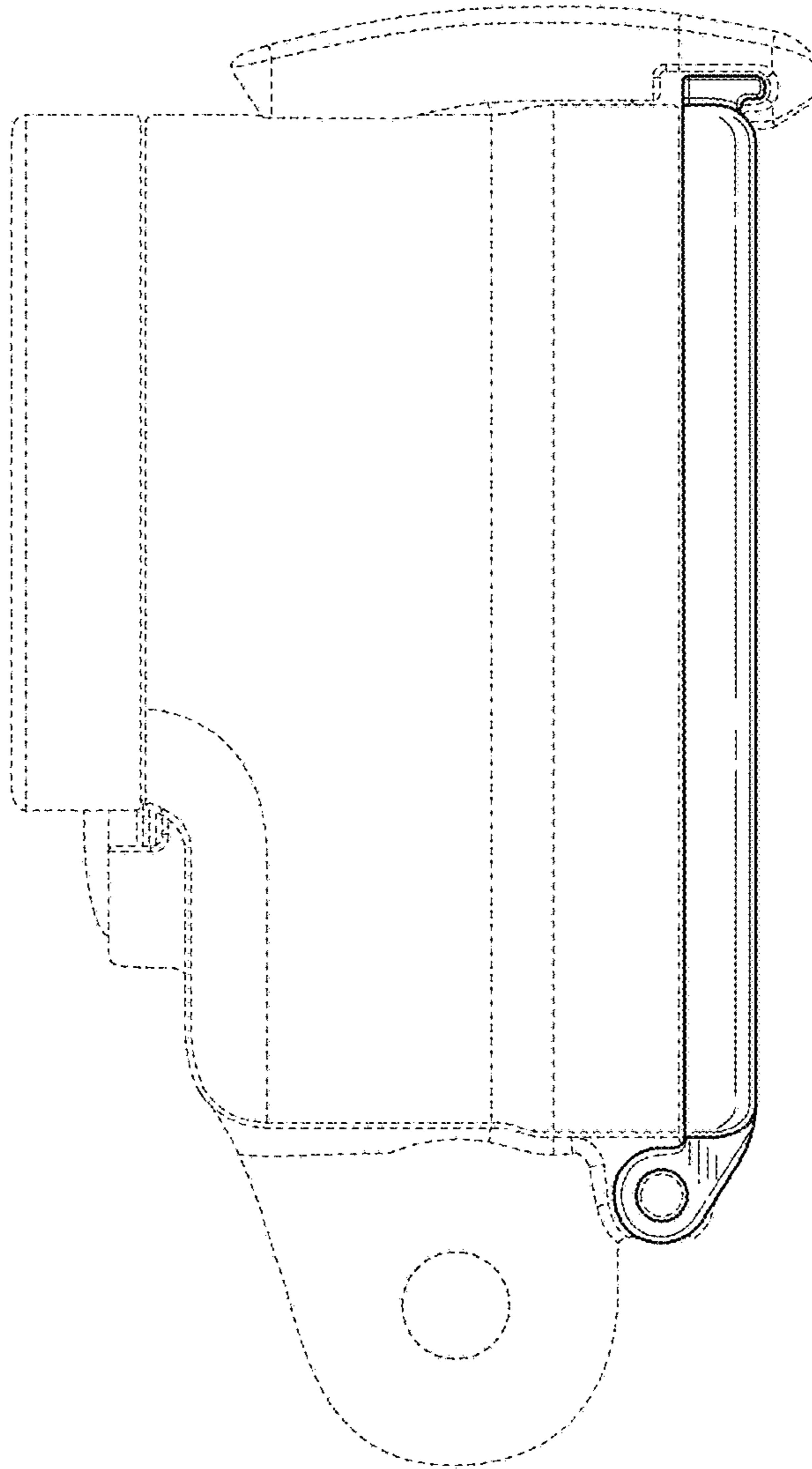


FIG. 8

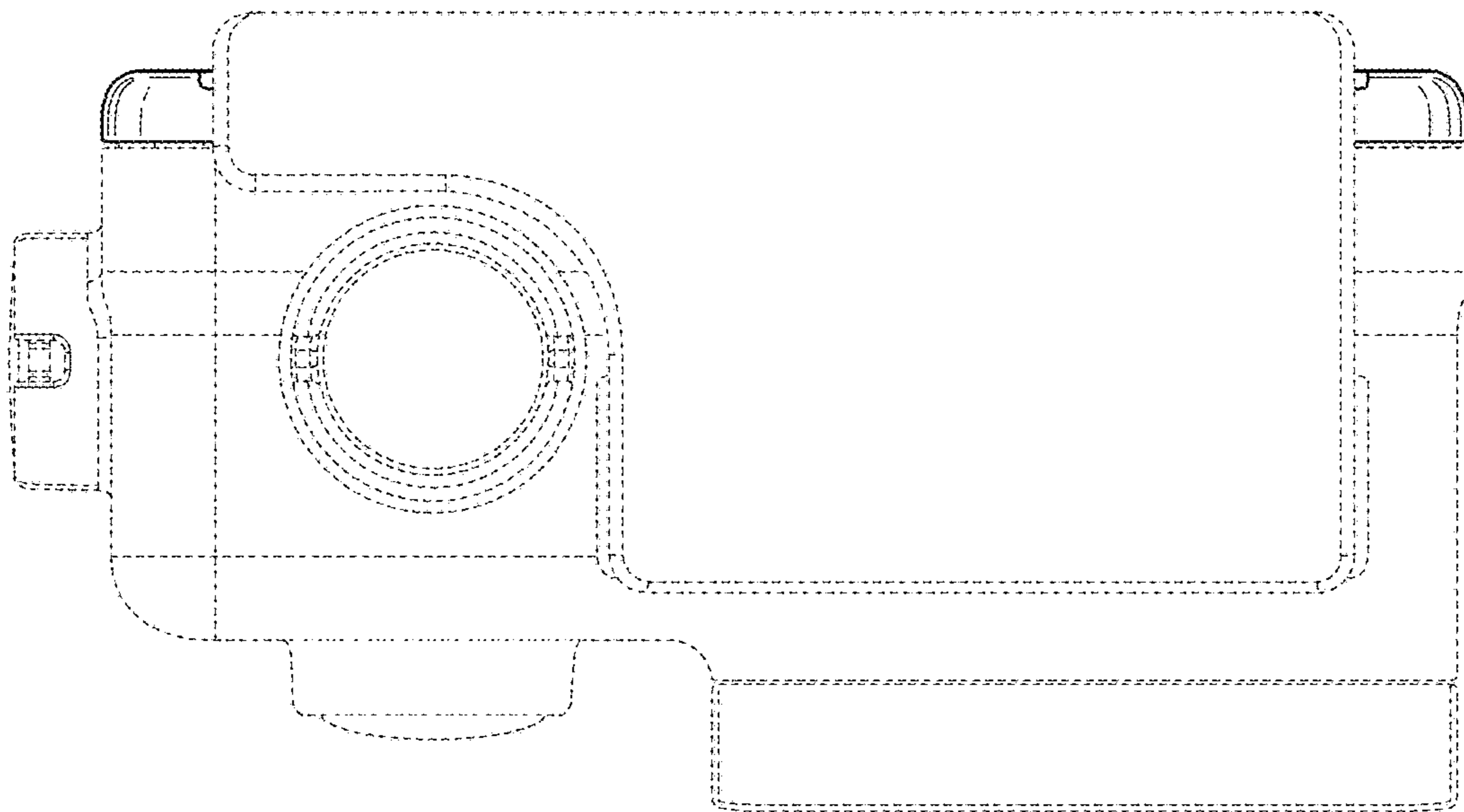


FIG. 9

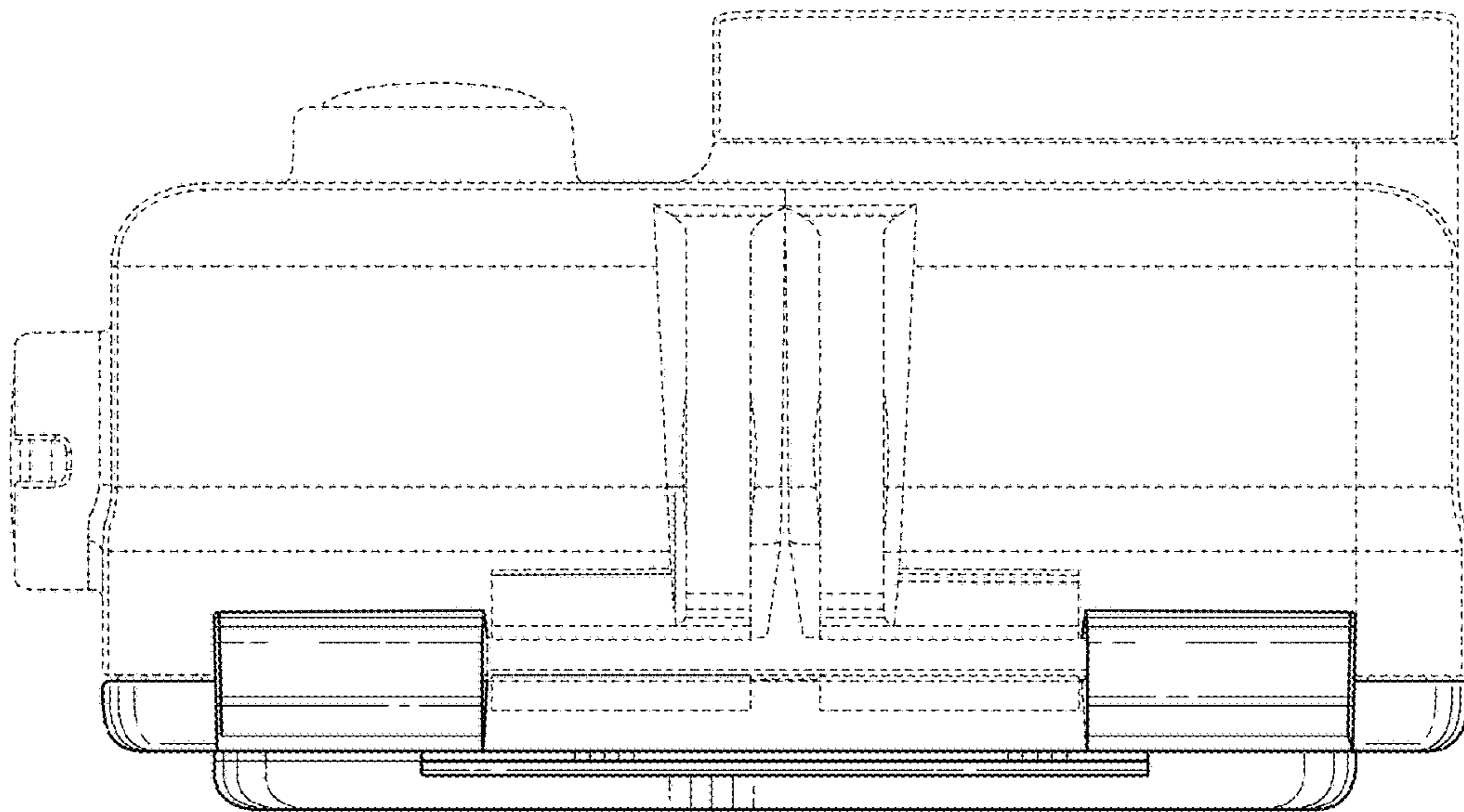


FIG. 10