



US00D852258S

(12) **United States Design Patent** (10) **Patent No.:** **US D852,258 S**  
**Saito** (45) **Date of Patent:** **\*\* Jun. 25, 2019**

(54) **DIGITAL CAMERA**  
(71) Applicant: **FUJIFILM Corporation**, Tokyo (JP)  
(72) Inventor: **Taiki Saito**, Saitama (JP)  
(73) Assignee: **FUJIFILM Corporation**, Minato-Ku, Tokyo (JP)  
(\*\*) Term: **15 Years**  
(21) Appl. No.: **29/623,488**  
(22) Filed: **Oct. 25, 2017**

(30) **Foreign Application Priority Data**  
Apr. 28, 2017 (JP) ..... 2017-009514  
Apr. 28, 2017 (JP) ..... 2017-009515  
(51) **LOC (11) Cl.** ..... **16-05**  
(52) **U.S. Cl.**  
USPC ..... **D16/219**  
(58) **Field of Classification Search**  
USPC ..... D16/200, 202–206, 208, 218, 219;  
348/373–376; 396/535, 539–541  
CPC ..... G03B 15/03; G03B 17/02; G03B 17/04;  
G03B 17/56; G03B 19/04; H04N 5/2251;  
H04N 5/2252; H04N 5/2253; H04N  
5/2254; H04N 2101/00  
See application file for complete search history.

(56) **References Cited**  
**U.S. PATENT DOCUMENTS**  
D631,496 S \* 1/2011 Tainaka ..... D16/202  
D649,997 S \* 12/2011 Imai ..... D16/202  
D657,408 S \* 4/2012 Tainaka ..... D16/202  
D681,710 S \* 5/2013 Sato ..... D16/200  
D695,807 S \* 12/2013 Tainaka ..... D16/202  
D697,959 S \* 1/2014 Imai ..... D16/202  
D697,960 S \* 1/2014 Sato ..... D16/200  
D698,839 S \* 2/2014 Sato ..... D16/200

D701,257 S \* 3/2014 Ogawa ..... D16/202  
D716,862 S \* 11/2014 Hoshi ..... D16/202  
D749,659 S \* 2/2016 Kamei ..... D16/202  
D750,151 S \* 2/2016 Kamei ..... D16/219  
D794,693 S \* 8/2017 Sato ..... D16/202  
D795,324 S \* 8/2017 Sato ..... D16/202  
D832,908 S \* 11/2018 Sakai ..... D16/219

(Continued)

*Primary Examiner* — Ramzi S Almatrahi  
(74) *Attorney, Agent, or Firm* — Sughrue Mion, PLLC

(57) **CLAIM**

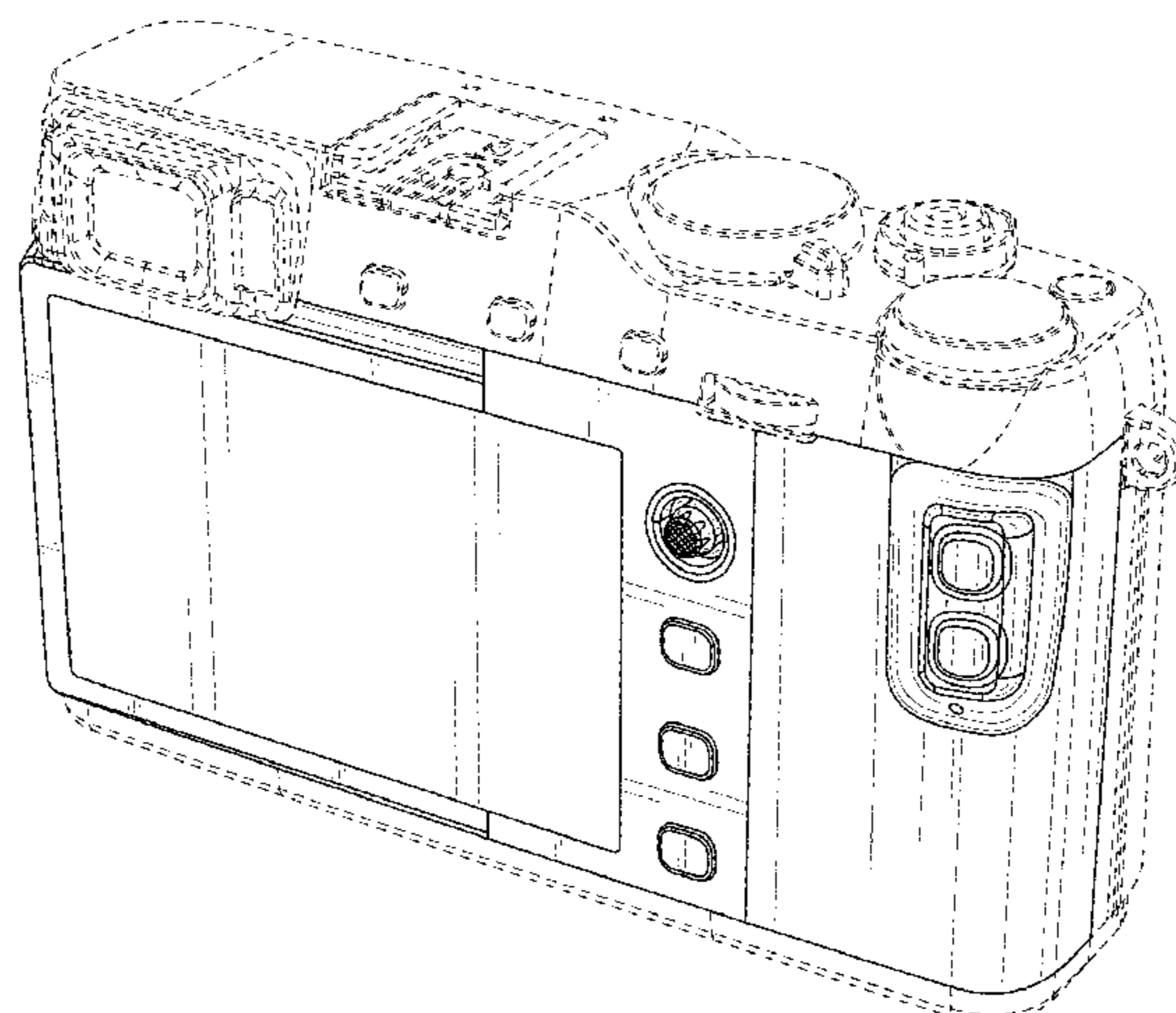
The ornamental design for a digital camera, as shown and described.

**DESCRIPTION**

FIG. 1 is a rear perspective view of a first embodiment of a digital camera showing my new design; FIG. 2 is a front perspective view thereof; FIG. 3 is a front elevation view thereof; FIG. 4 is a rear elevation view thereof; FIG. 5 is a right side elevation view thereof; FIG. 6 is a left side elevation view thereof; FIG. 7 is a top plan view thereof; and FIG. 8 is a bottom plan view thereof. FIG. 9 is a rear perspective view of a second embodiment of a digital camera showing my new design; FIG. 10 is a front perspective view thereof; FIG. 11 is a front elevation view thereof; FIG. 12 is a rear elevation view thereof; FIG. 13 is a right side elevation view thereof; FIG. 14 is a left side elevation view thereof; FIG. 15 is a top plan view thereof; and, FIG. 16 is a bottom plan view thereof.

The broken lines depict portions of the digital camera in which the design is embodied that form no part of the claimed design.  
The dot-dash lines denote the boundary of the claim and form no part of the claimed design.

**1 Claim, 16 Drawing Sheets**



(56)

**References Cited**

U.S. PATENT DOCUMENTS

2011/0109790	A1*	5/2011	Shinohara .....	G03B 17/14 348/373
2011/0216237	A1*	9/2011	Shinohara .....	G03B 17/02 348/373
2011/0298970	A1*	12/2011	Shinohara .....	G03B 17/14 348/373

\* cited by examiner

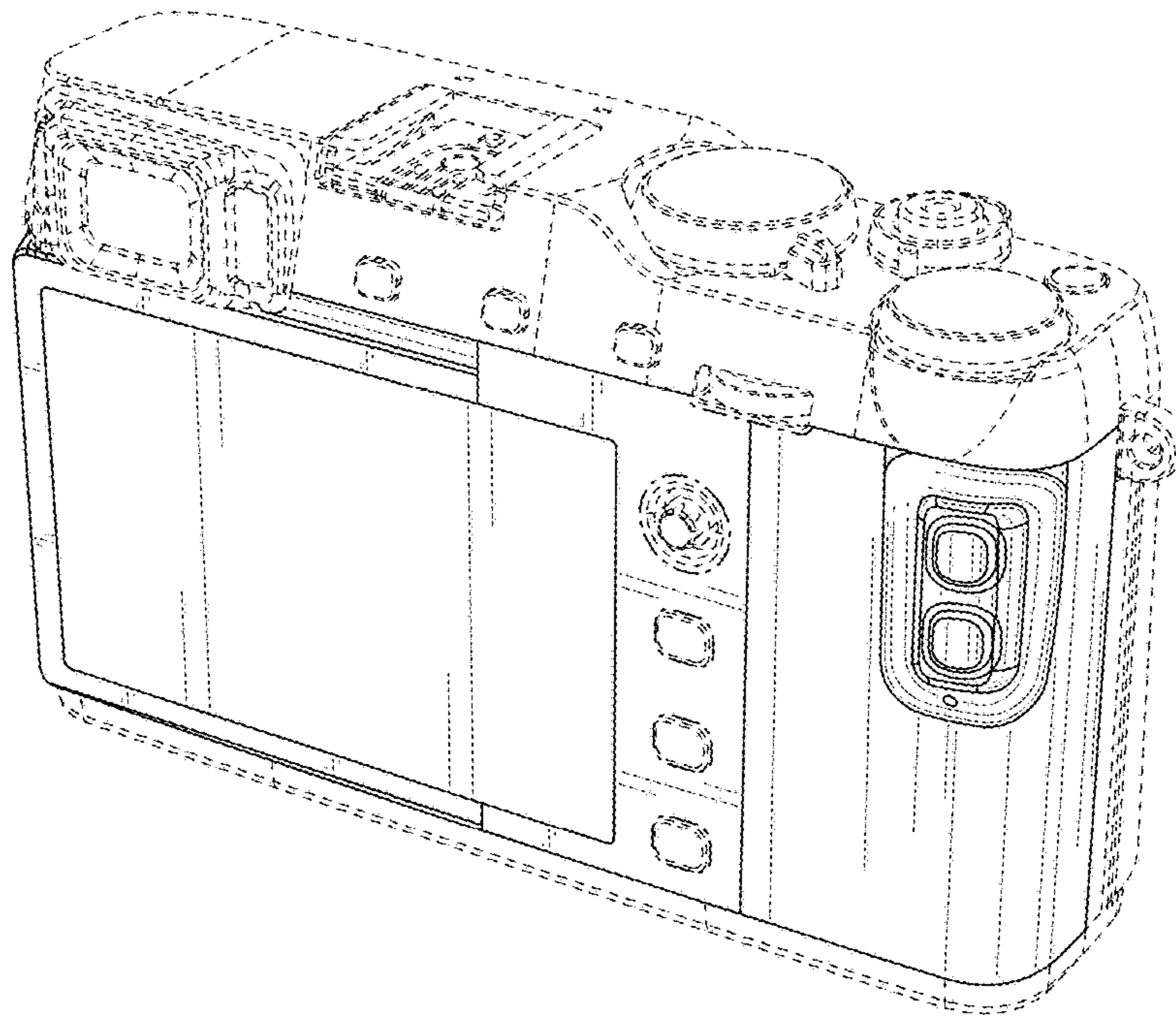


FIG. 1

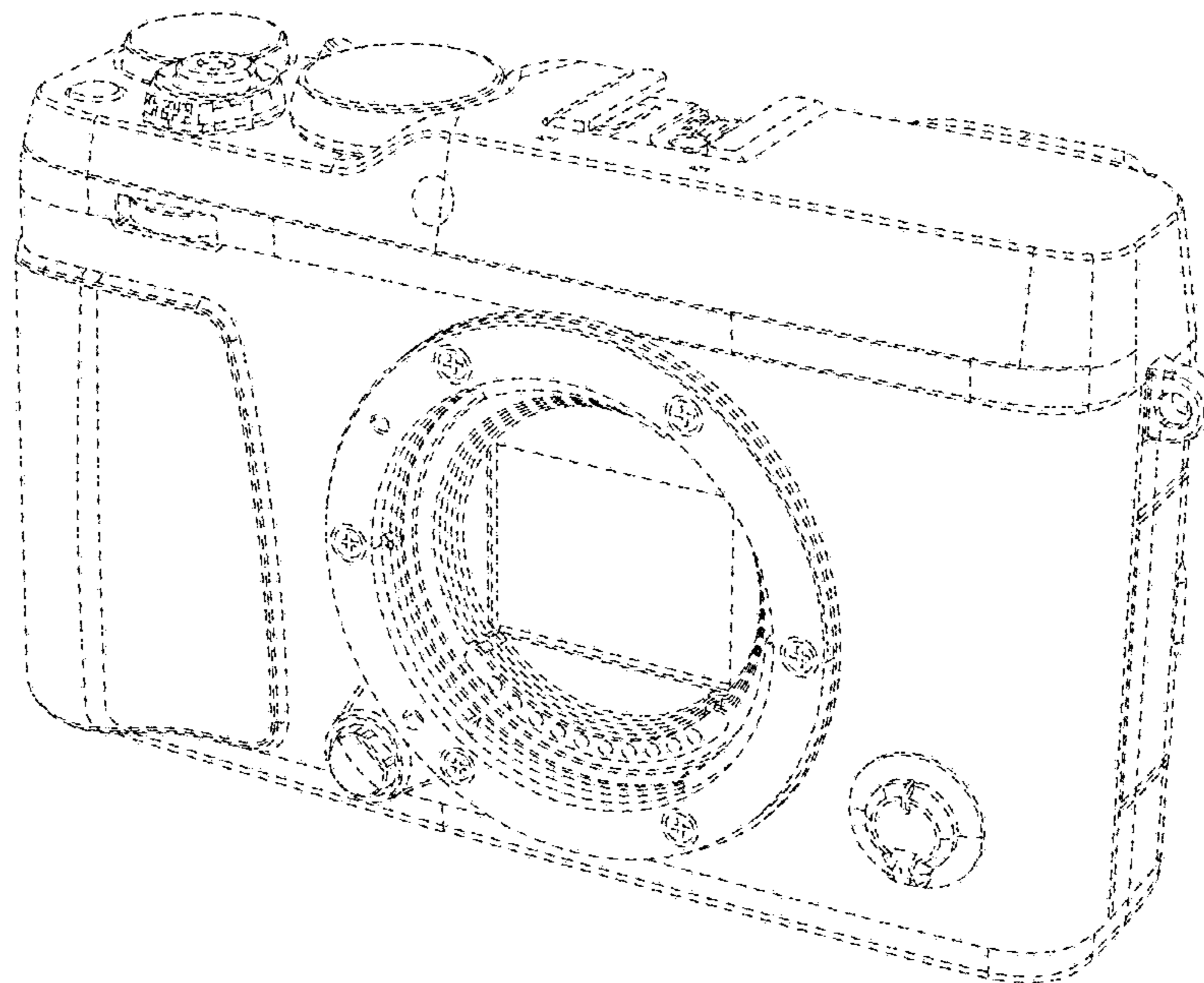


FIG. 2

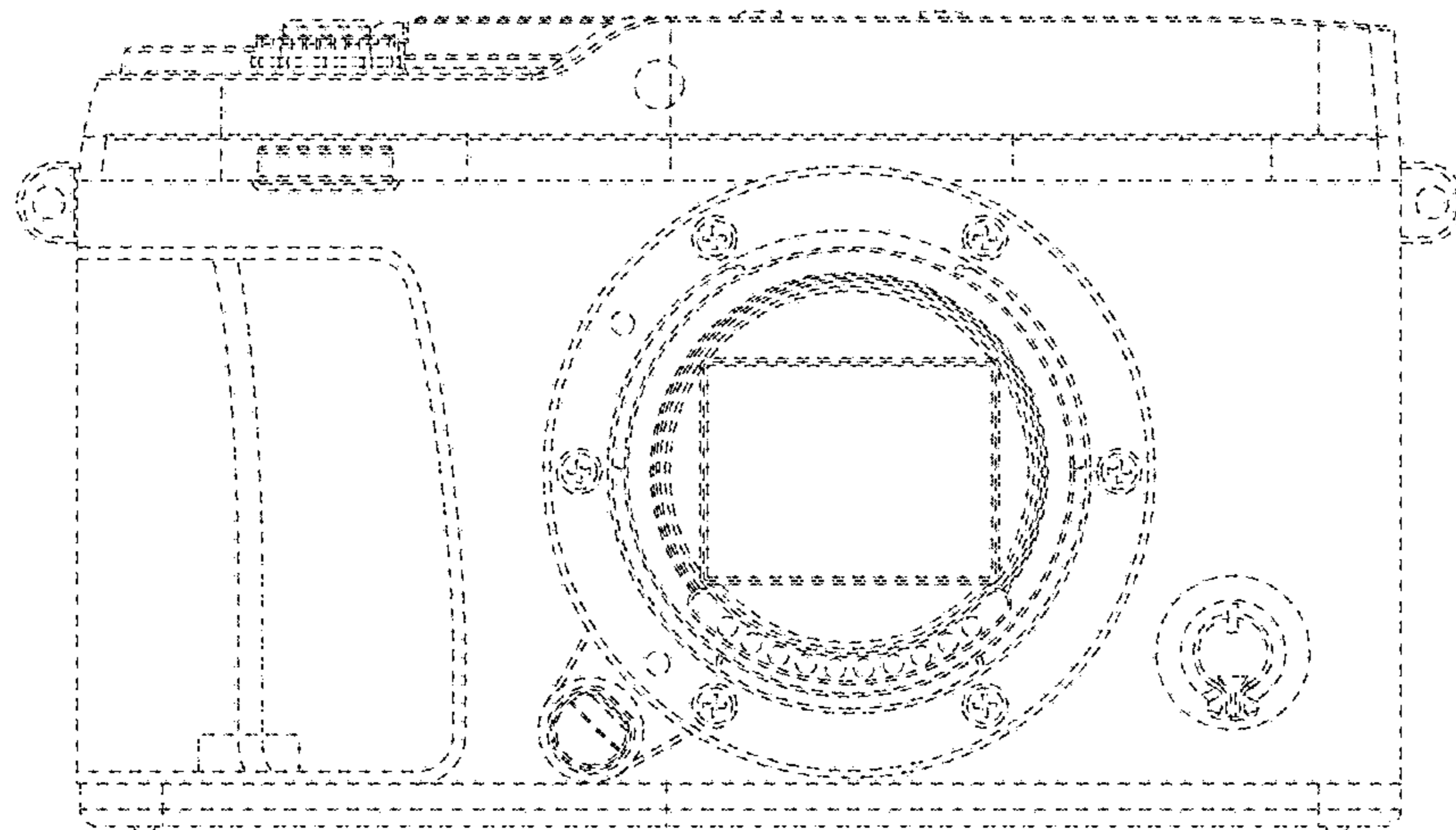


FIG. 3



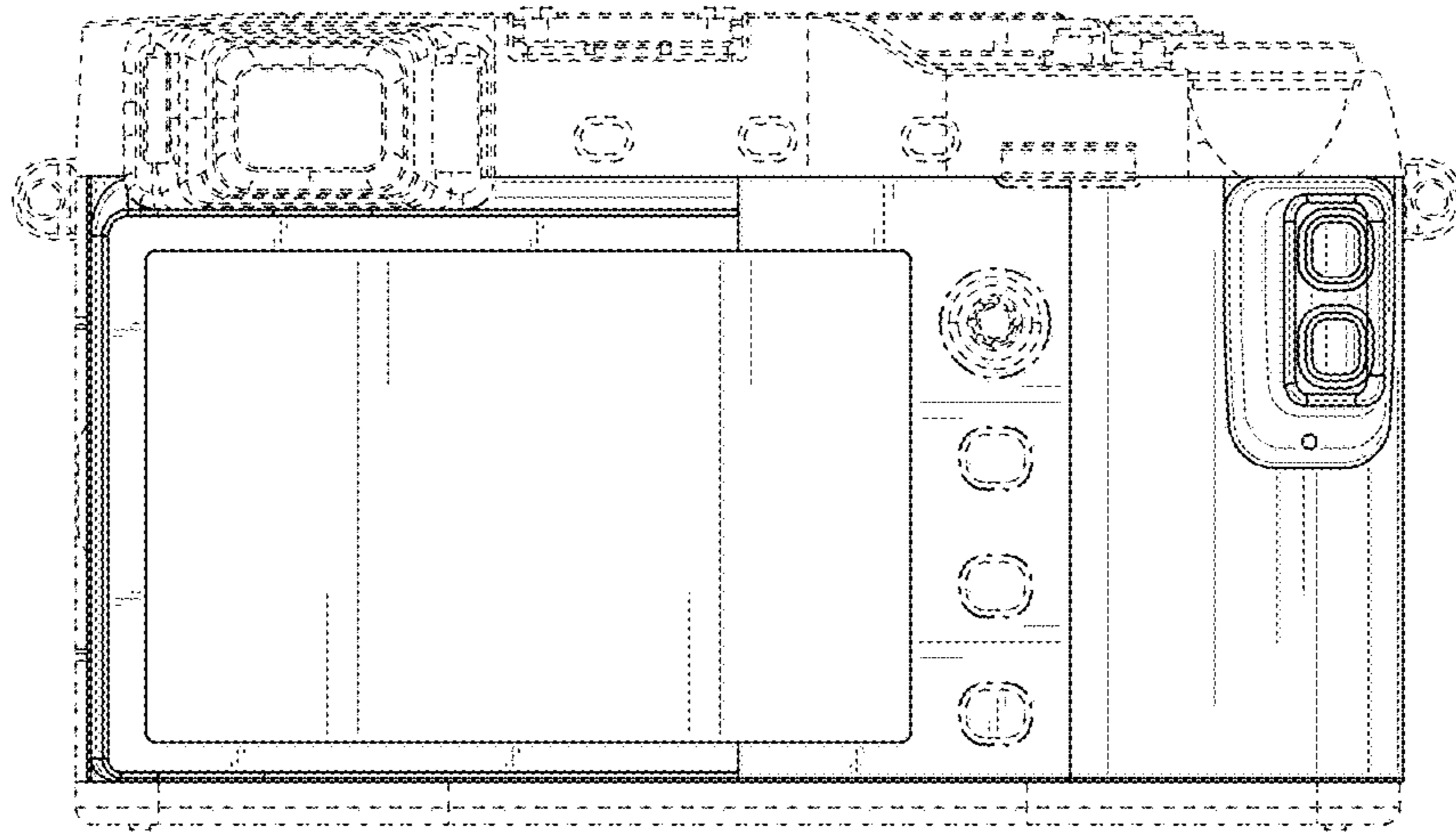


FIG. 4

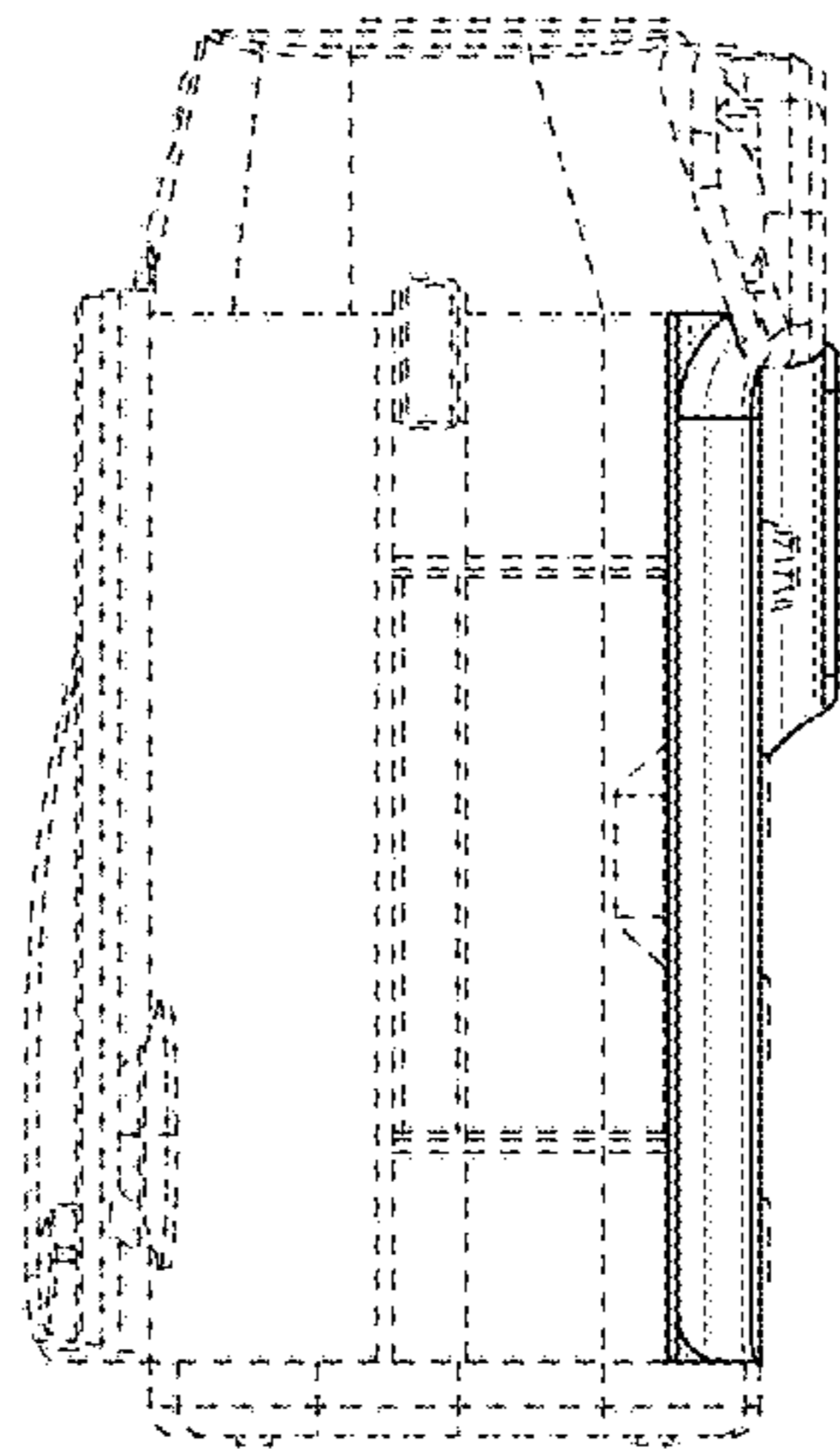


FIG. 5

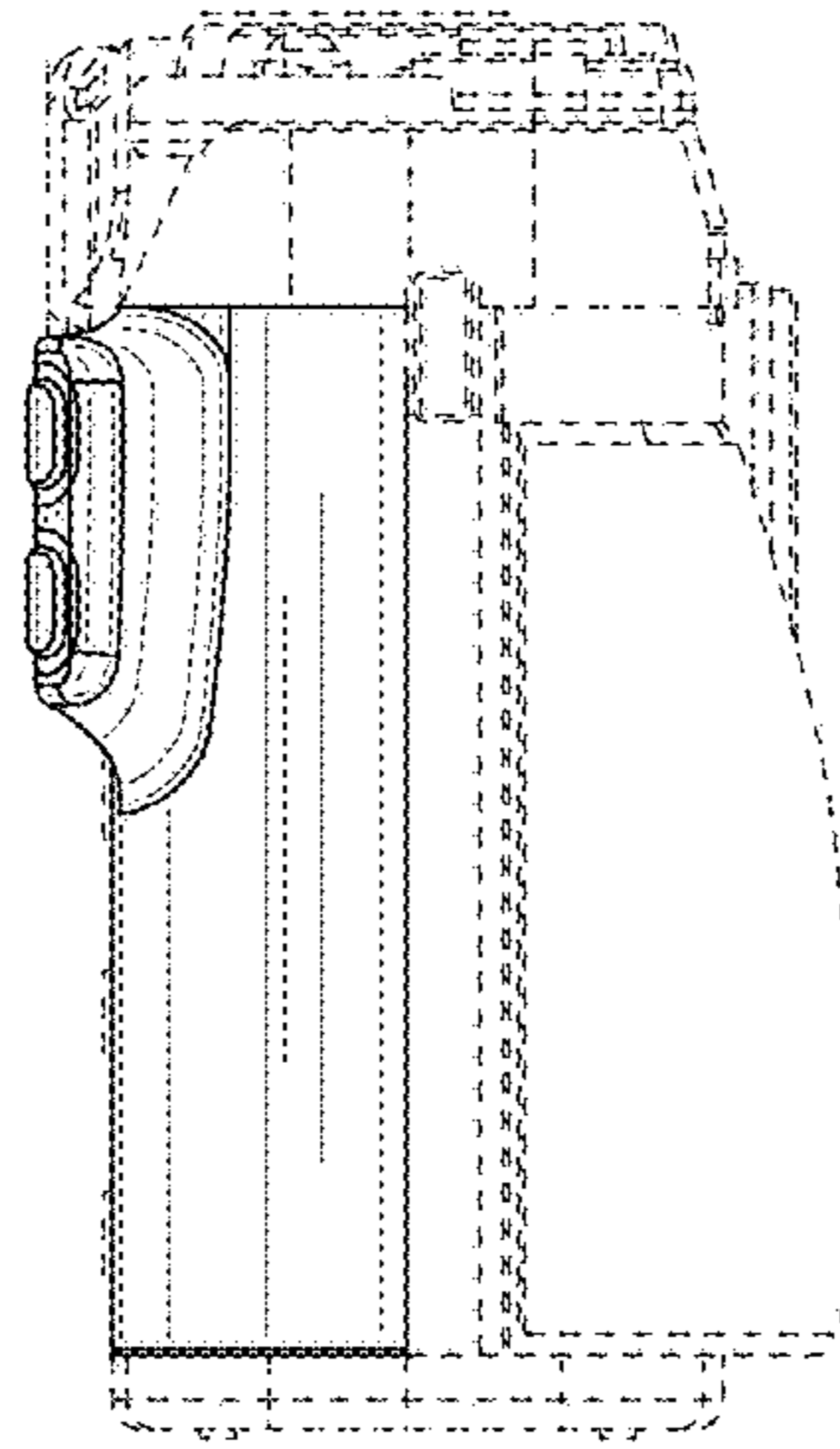


FIG. 6



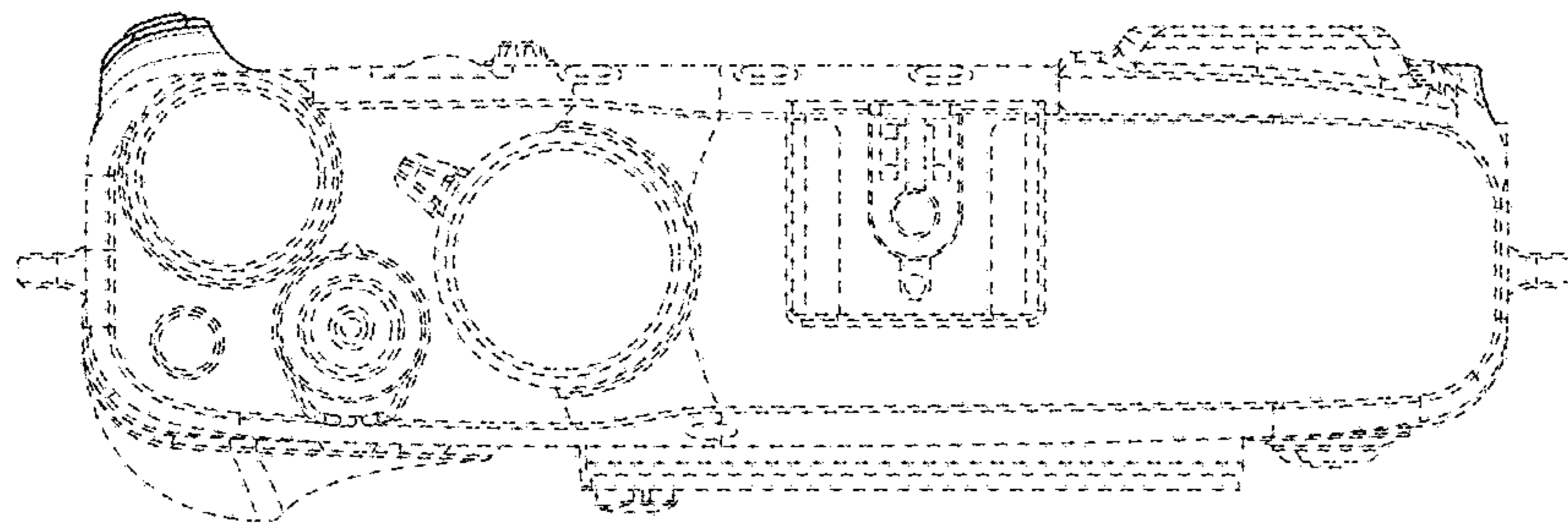


FIG. 7

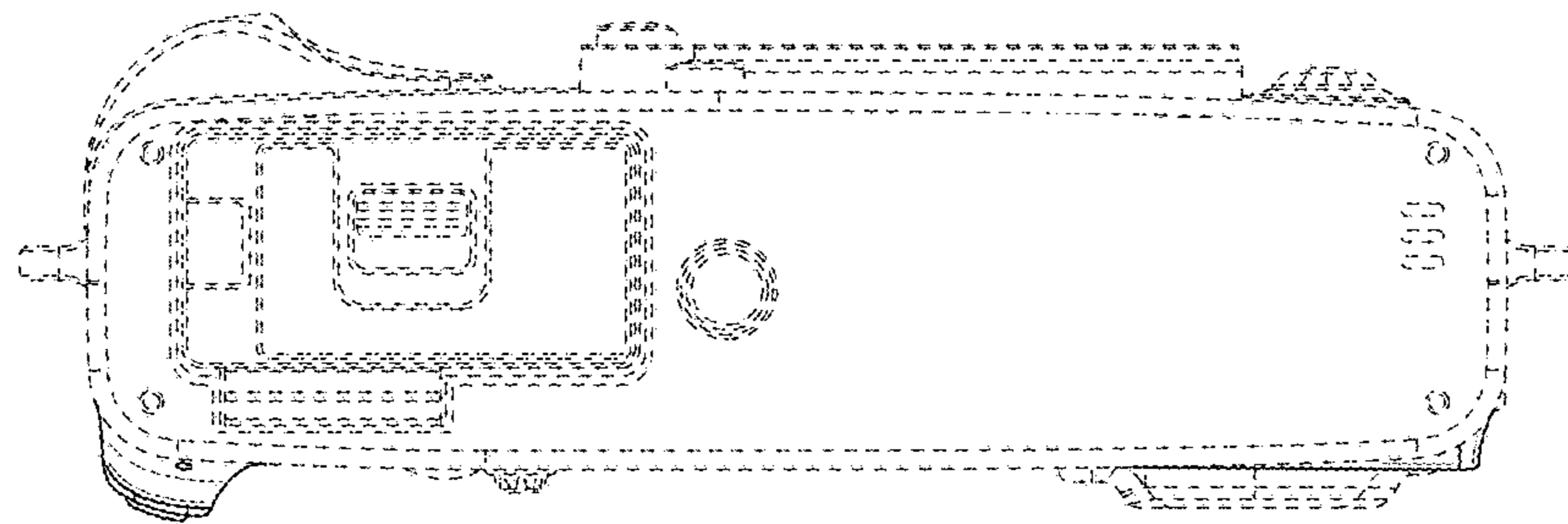


FIG. 8

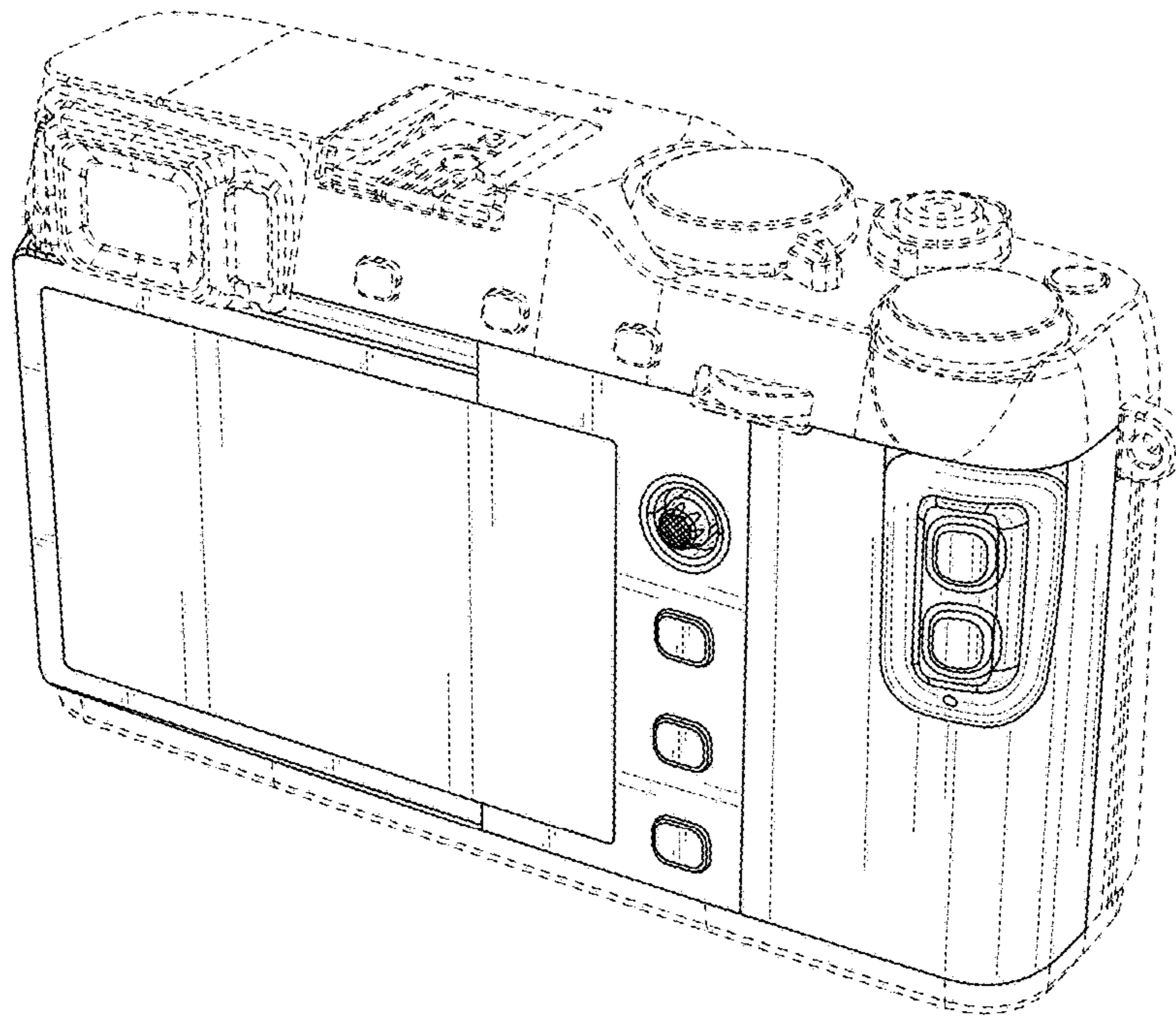


FIG. 9

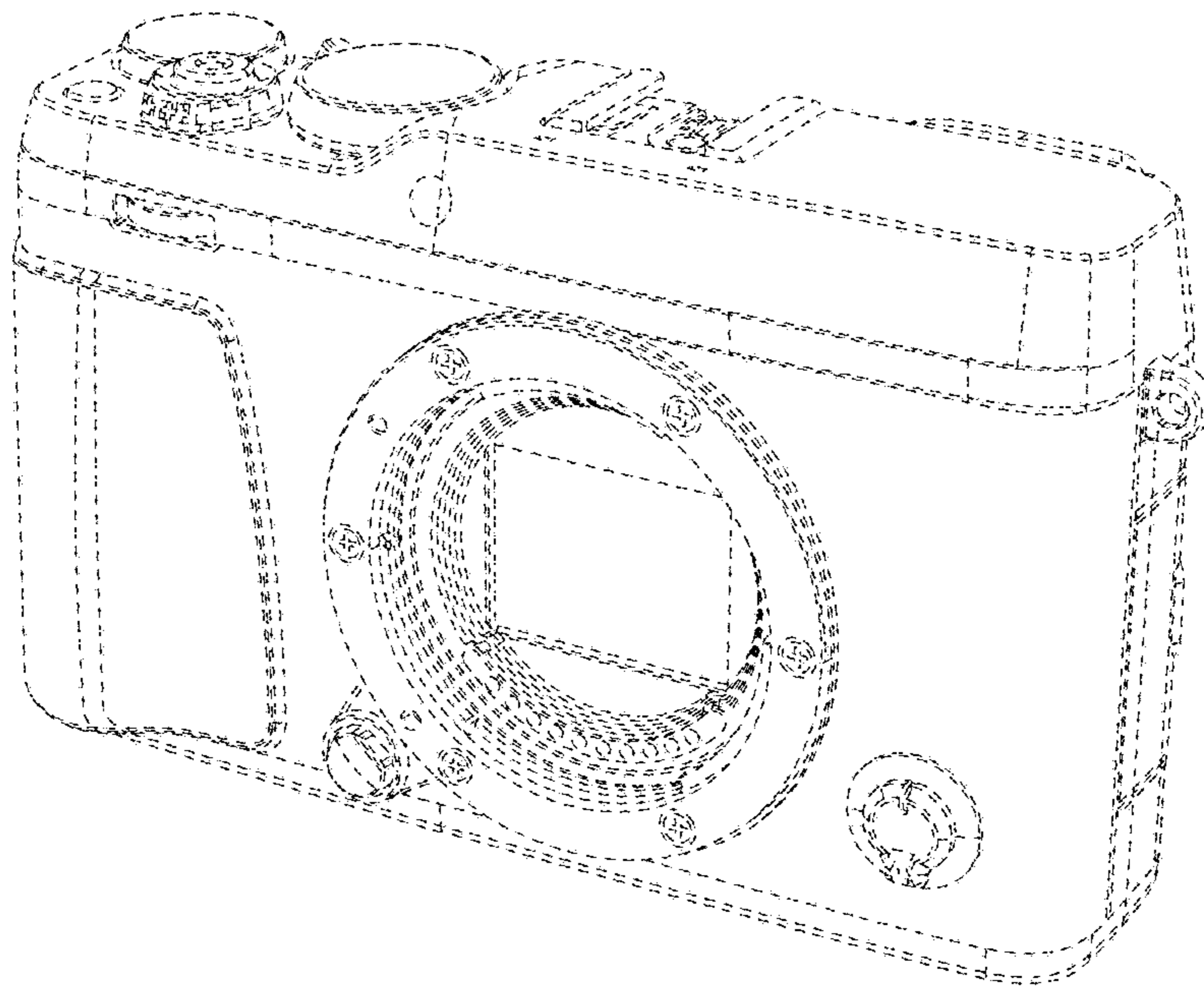


FIG. 10

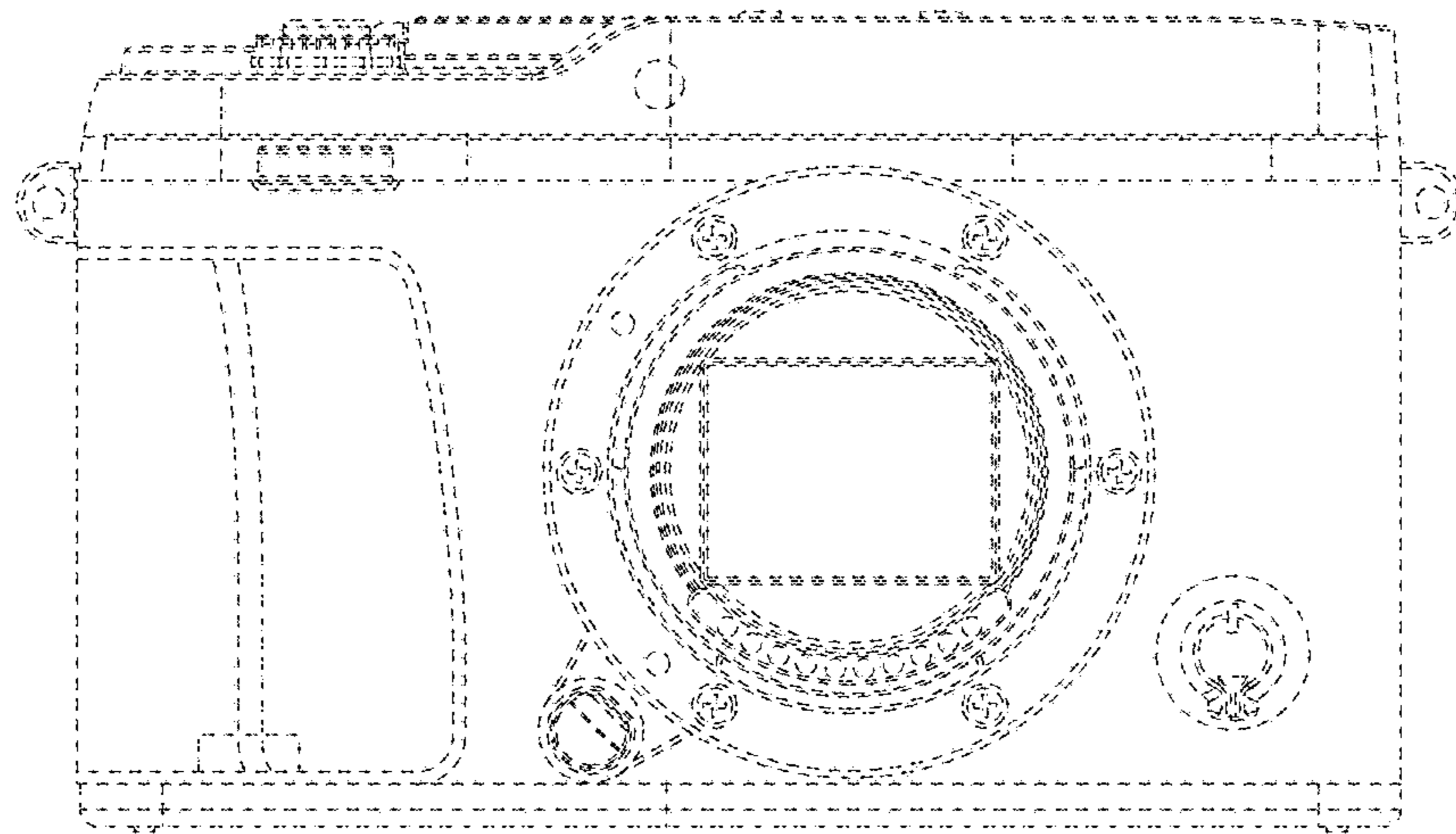


FIG. 11

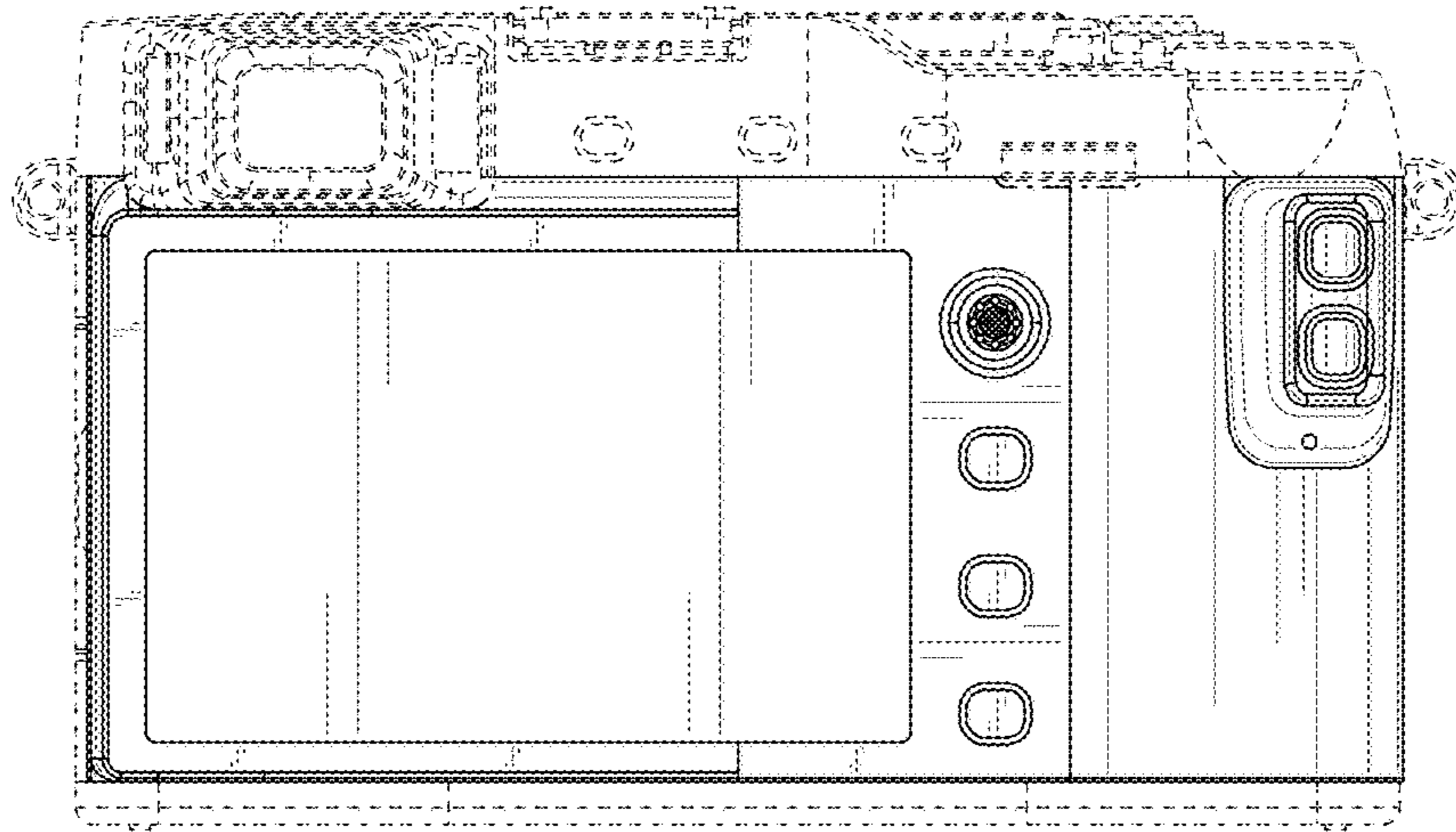


FIG. 12



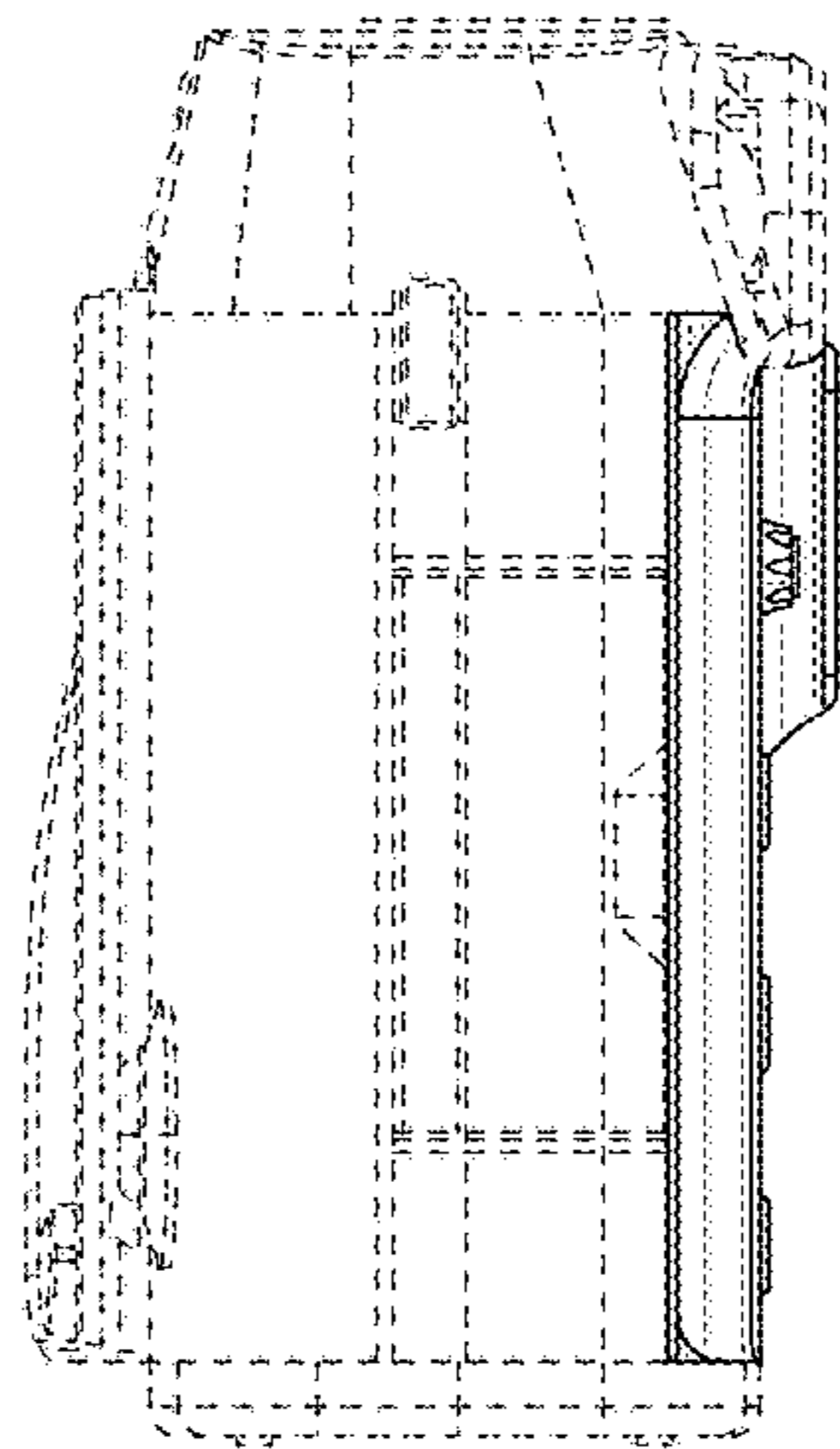


FIG. 13

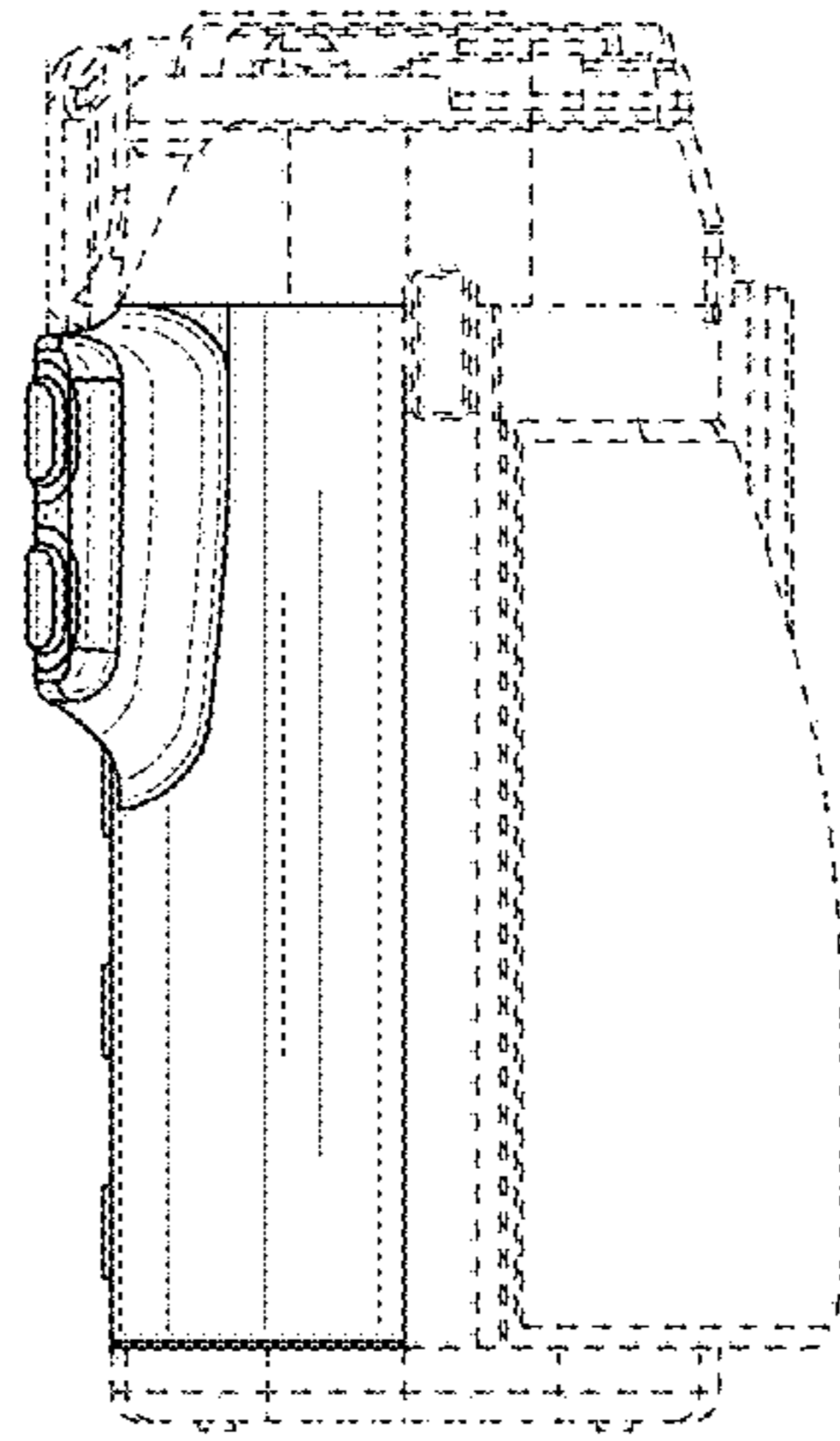


FIG. 14

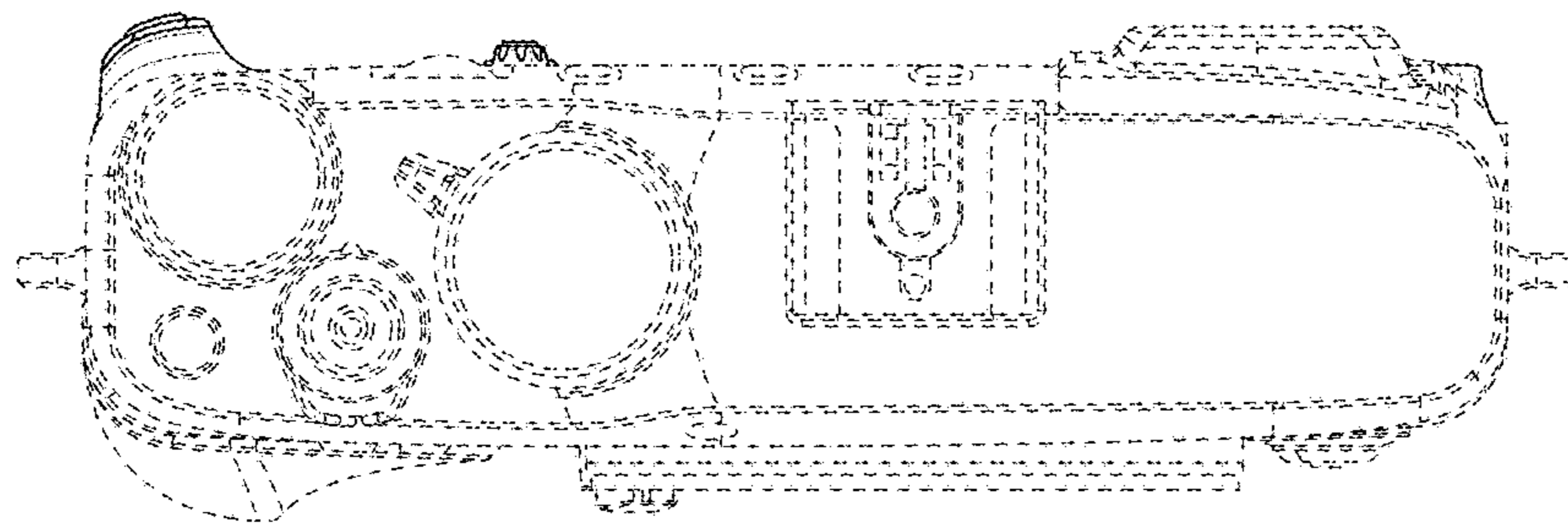


FIG. 15

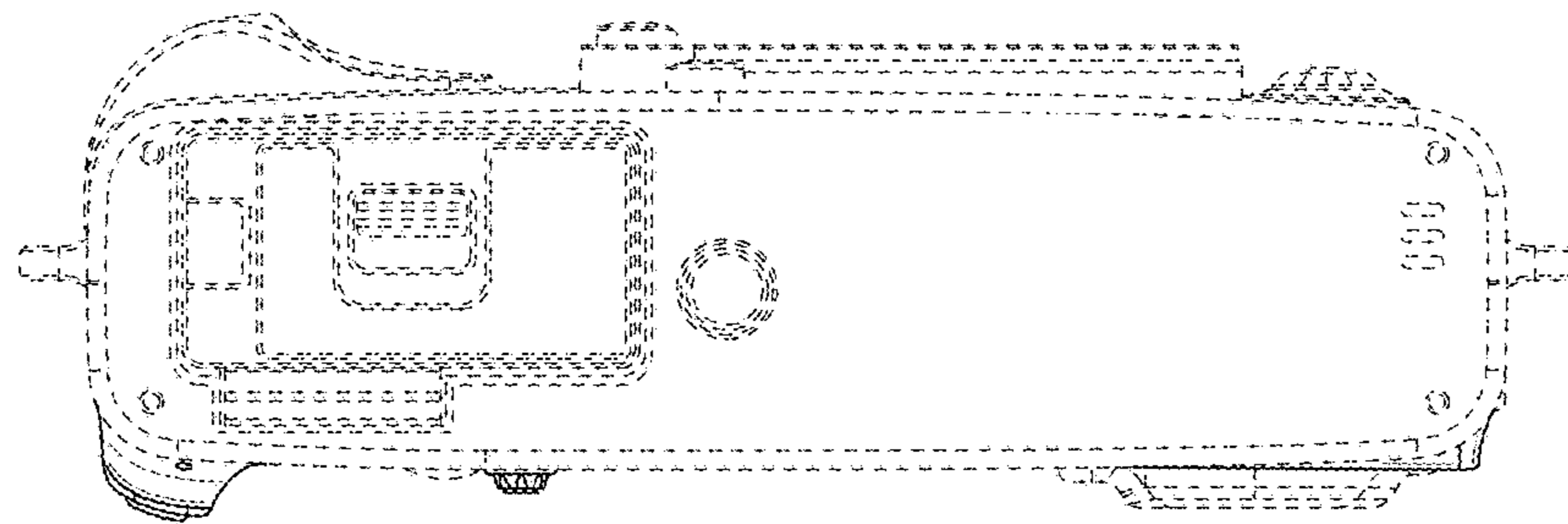


FIG. 16