



US00D852254S

(12) **United States Design Patent**
Saito

(10) **Patent No.:** **US D852,254 S**
(45) **Date of Patent:** **** Jun. 25, 2019**

(54) **DIGITAL CAMERA**

(71) Applicant: **FUJIFILM Corporation**, Tokyo (JP)

(72) Inventor: **Taiki Saito**, Saitama (JP)

(73) Assignee: **FUJIFILM Corporation**, Minato-Ku,
Tokyo (JP)

(**) Term: **15 Years**

(21) Appl. No.: **29/623,082**

(22) Filed: **Oct. 23, 2017**

(30) **Foreign Application Priority Data**

Apr. 28, 2017 (JP) 2017-009512

(51) **LOC (11) Cl.** **16-01**

(52) **U.S. Cl.**
USPC **D16/202**

(58) **Field of Classification Search**

USPC D16/200, 202–206, 208, 218, 219;
348/373–376; 396/535, 539–541

CPC G03B 15/03; G03B 17/02; G03B 17/04;
G03B 17/56; G03B 19/04; H04N 5/2251;
H04N 5/2252; H04N 5/2253; H04N
5/2254; H04N 2101/00

See application file for complete search history.

(56) **References Cited**

U.S. PATENT DOCUMENTS

D631,496 S * 1/2011 Tainaka D16/202
D649,997 S * 12/2011 Imai D16/202
D657,408 S * 4/2012 Tainaka D16/202

D681,710 S * 5/2013 Sato D16/200
D695,807 S * 12/2013 Tainaka D16/202
D697,960 S * 1/2014 Sato D16/200
D698,839 S * 2/2014 Sato D16/200
D701,257 S * 3/2014 Ogawa D16/202
D716,862 S * 11/2014 Hoshi D16/202
D749,659 S * 2/2016 Kamei D16/202
2011/0109790 A1 * 5/2011 Shinohara G03B 17/14
348/373
2011/0216237 A1 * 9/2011 Shinohara G03B 17/02
348/373
2011/0298970 A1 * 12/2011 Shinohara G03B 17/14
348/373

* cited by examiner

Primary Examiner — Ramzi S Almatrahi

(74) *Attorney, Agent, or Firm* — Sughrue Mion, PLLC

(57) **CLAIM**

The ornamental design for a digital camera, as shown and described.

DESCRIPTION

FIG. 1 is a front perspective view of a digital camera showing my new design;

FIG. 2 is a rear perspective view thereof;

FIG. 3 is a front elevation view thereof;

FIG. 4 is a rear elevation view thereof;

FIG. 5 is a right side elevation view thereof;

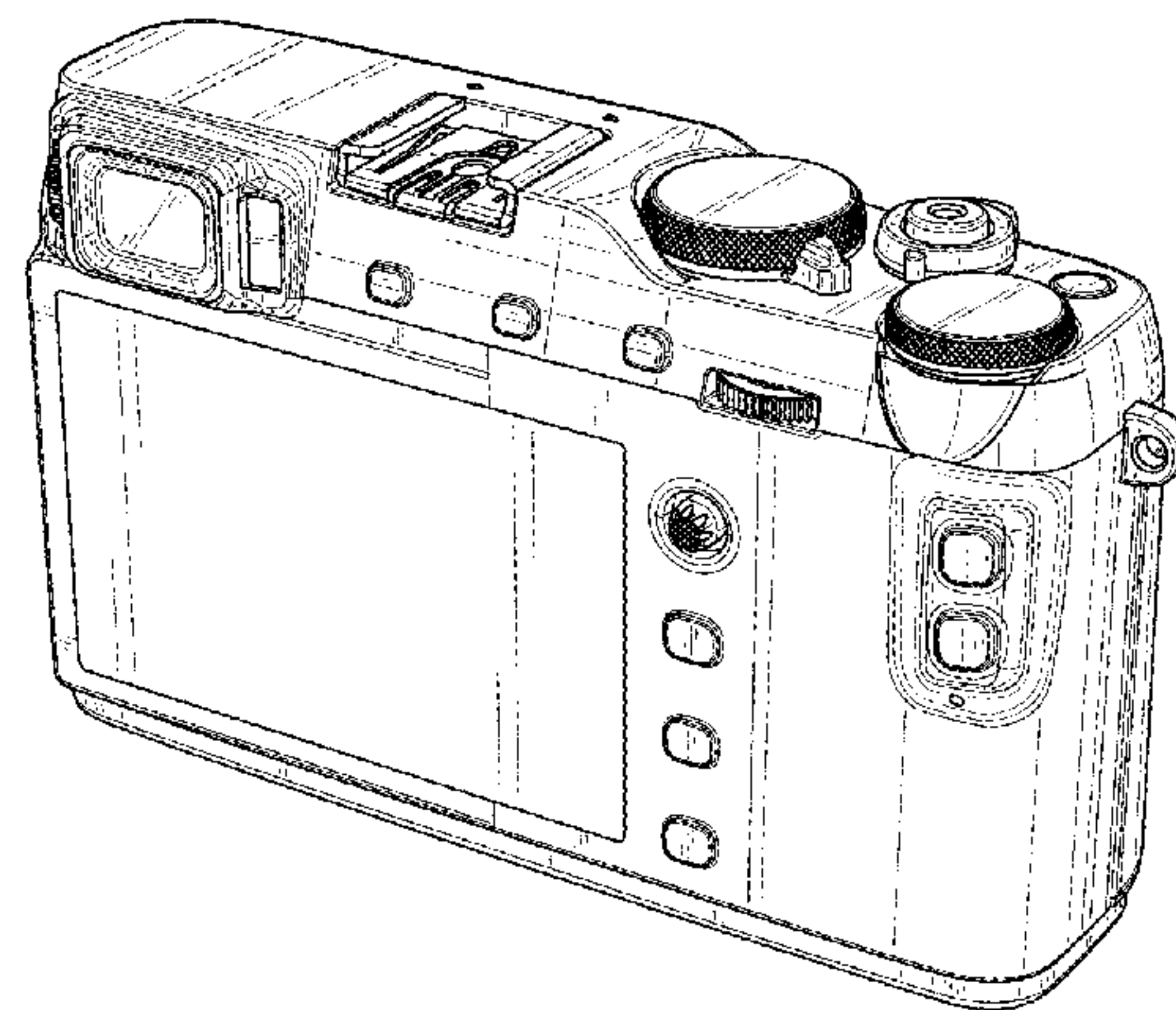
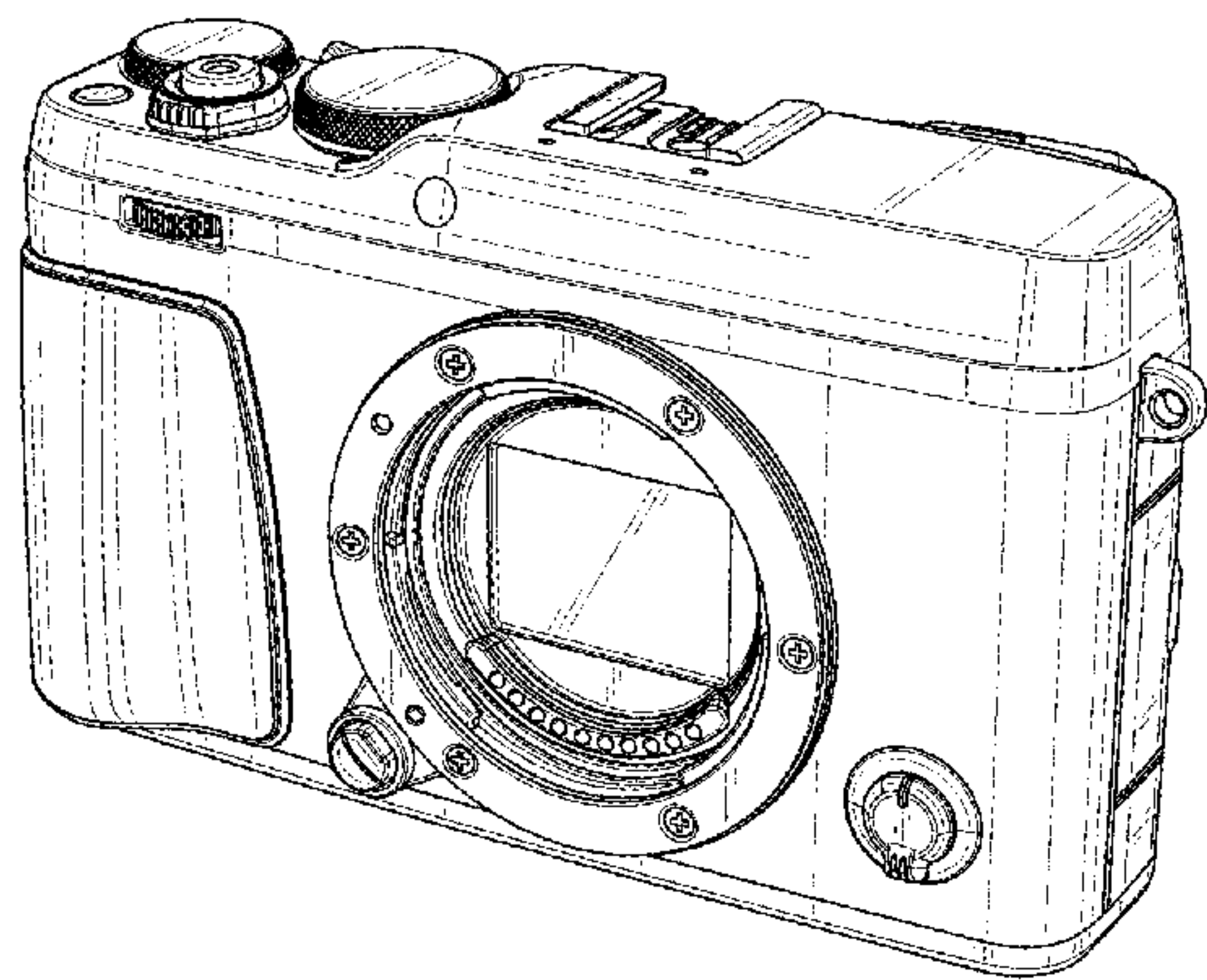
FIG. 6 is a left side elevation view thereof;

FIG. 7 is a top plan view thereof; and,

FIG. 8 is a bottom plan view thereof.

The broken lines depict portions of the digital camera in which the design is embodied that form no part of the claimed design.

1 Claim, 8 Drawing Sheets



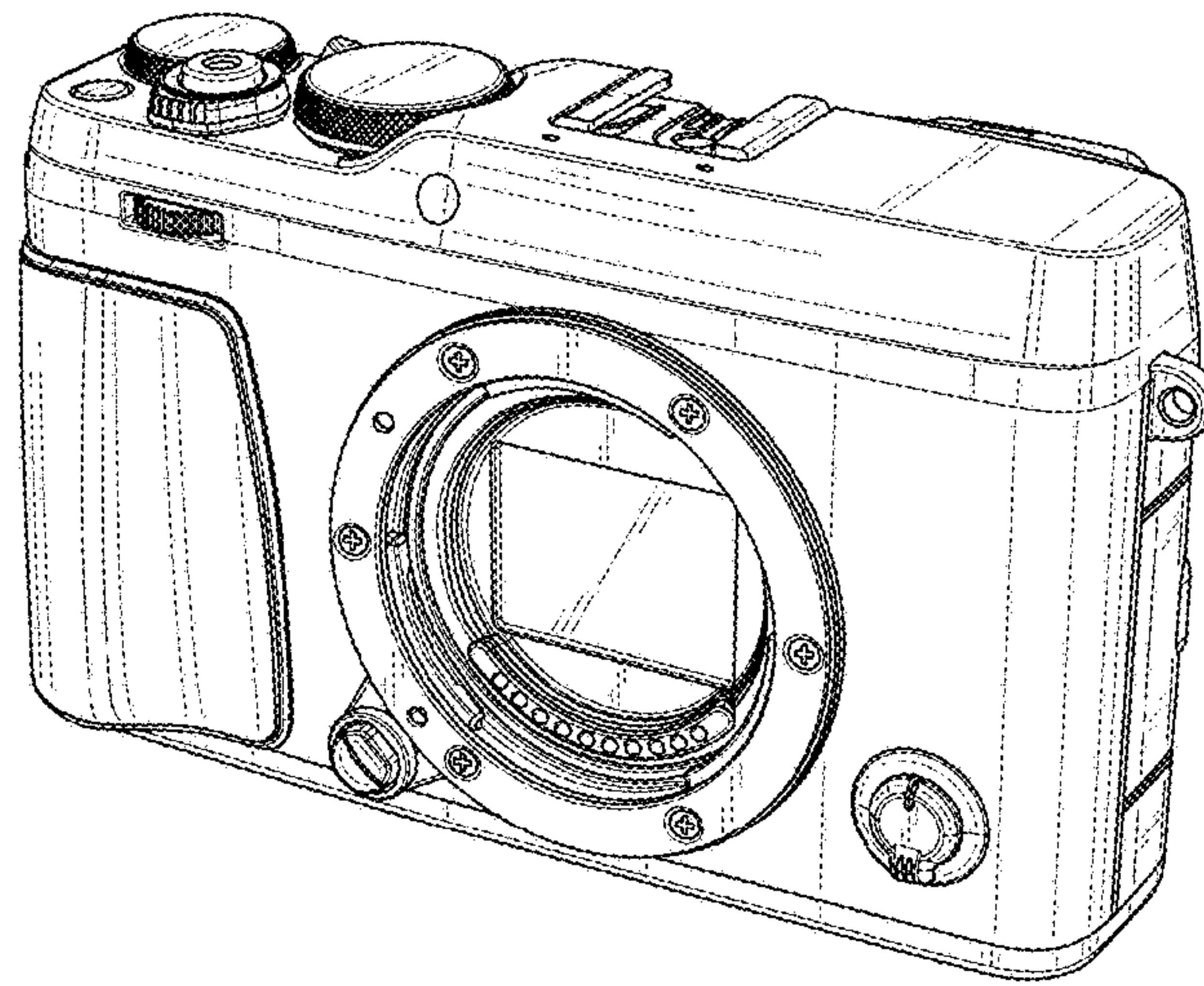


FIG. 1

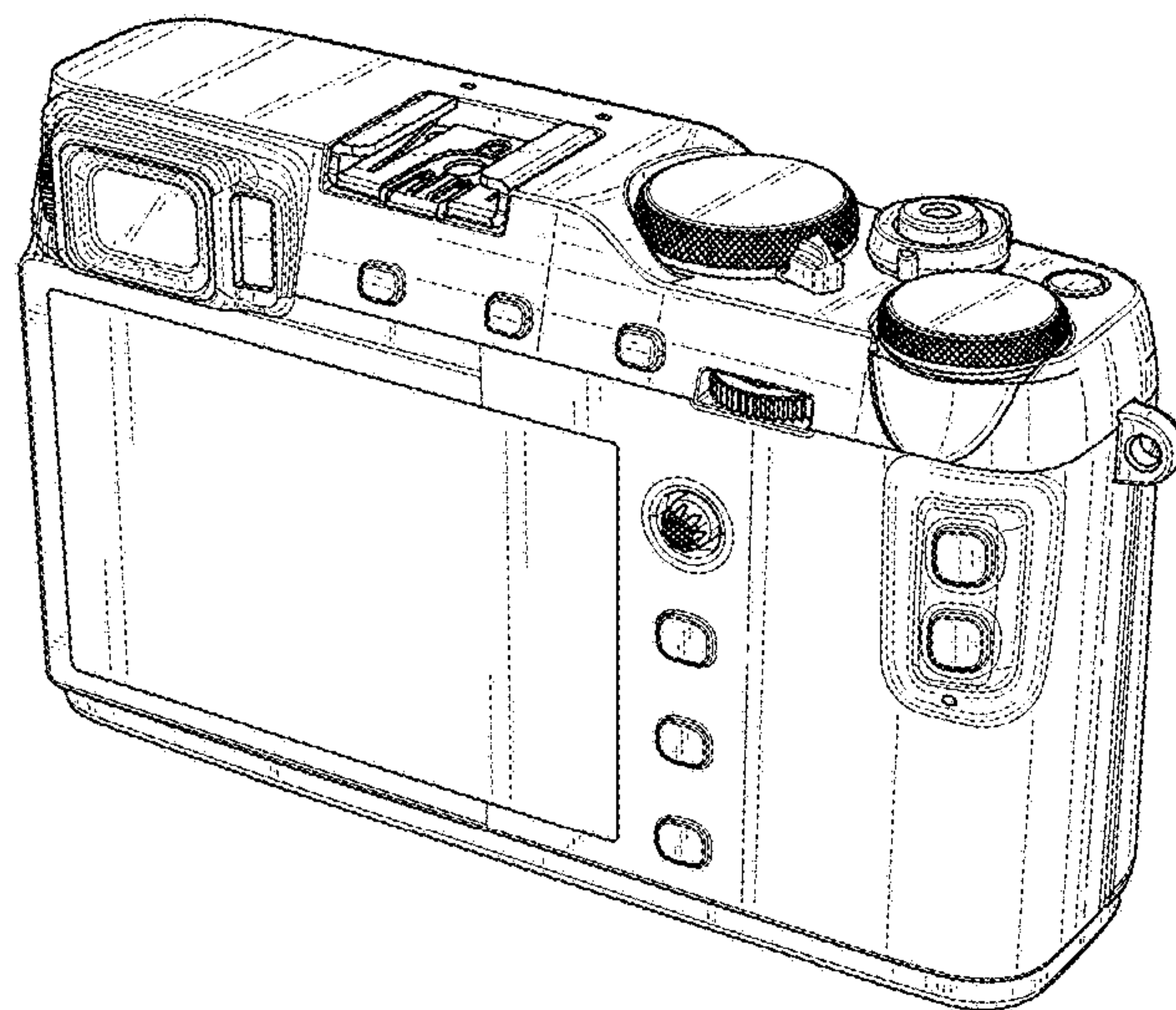


FIG. 2

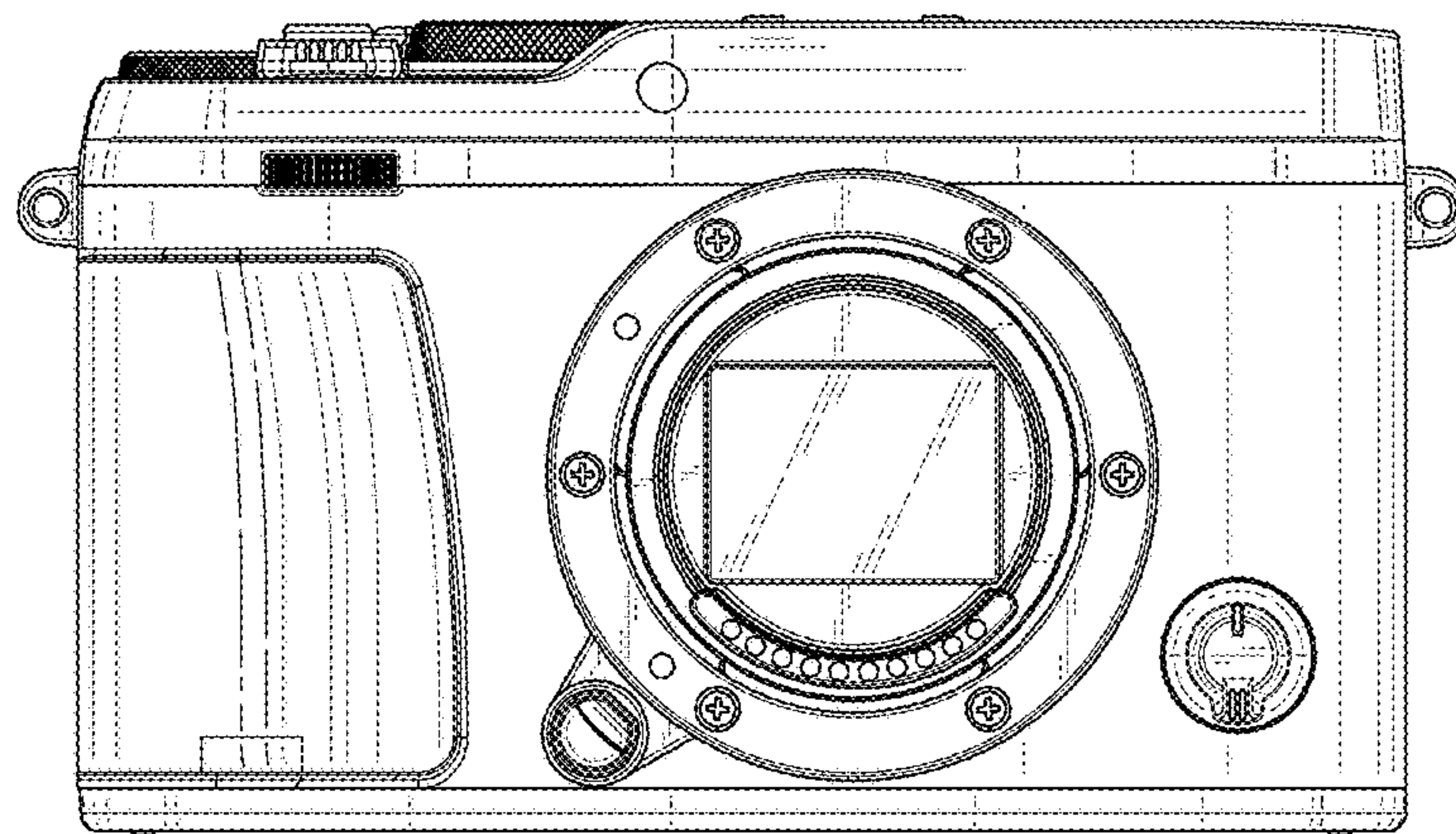


FIG. 3

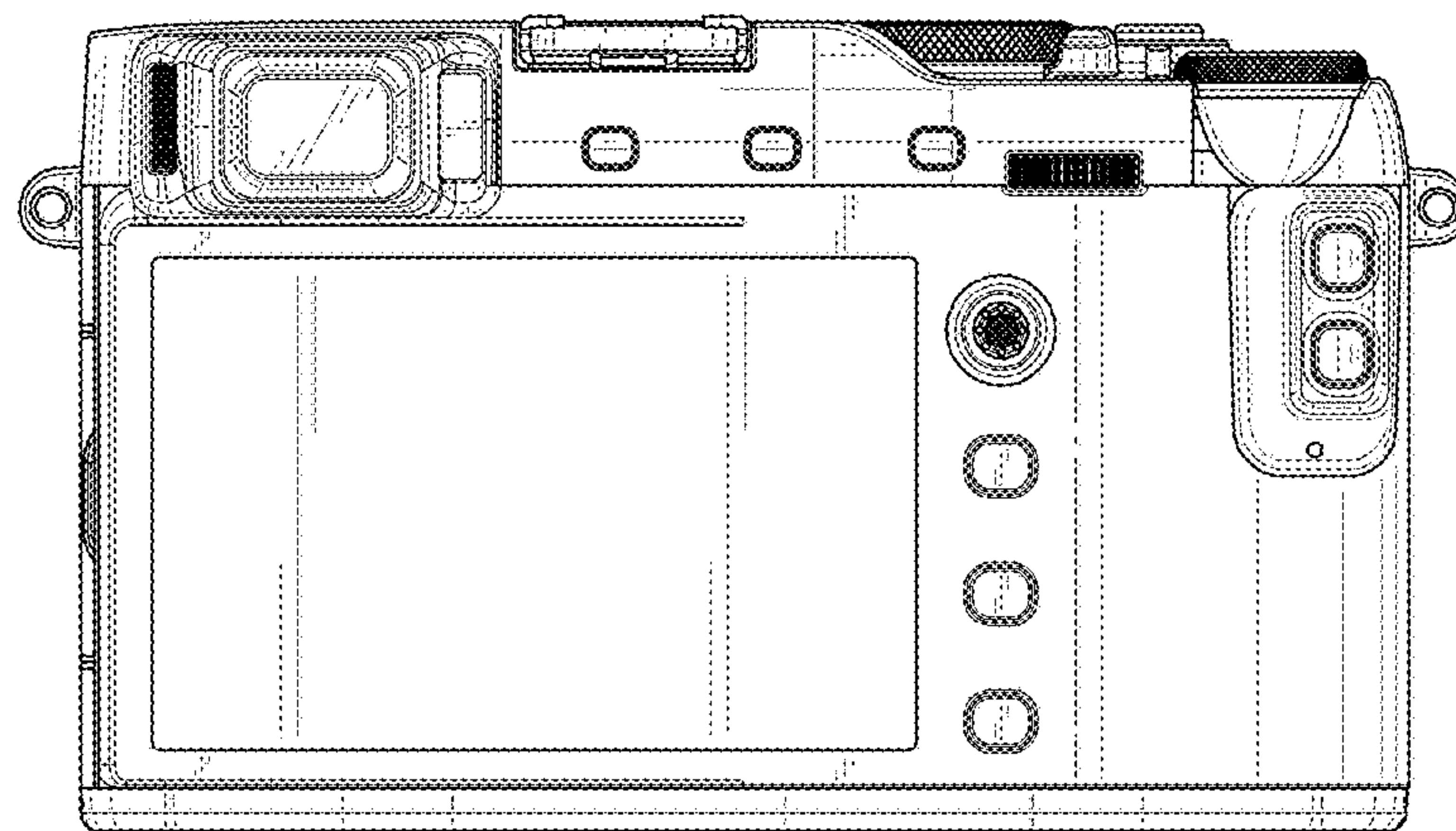


FIG. 4

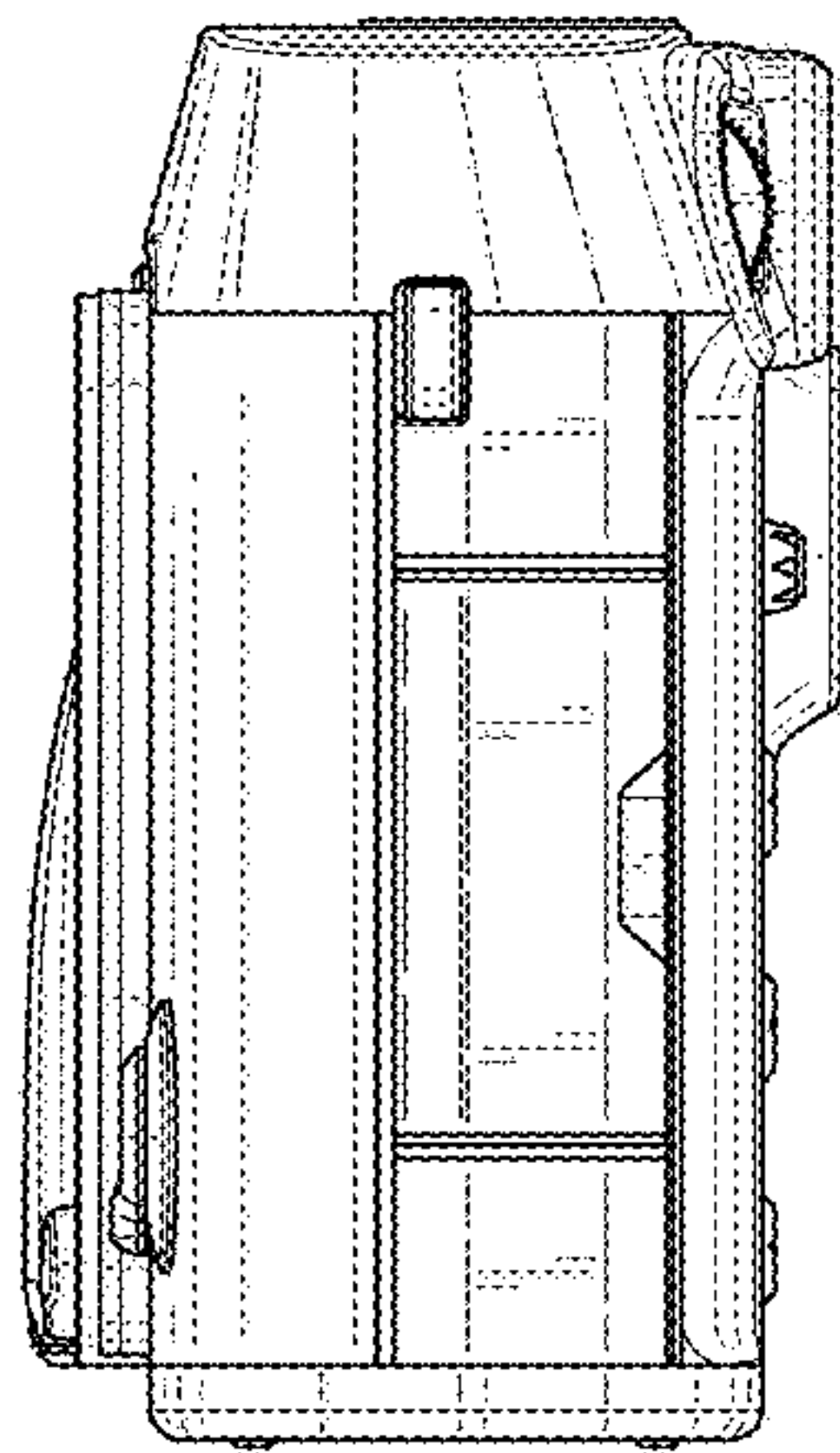


FIG. 5

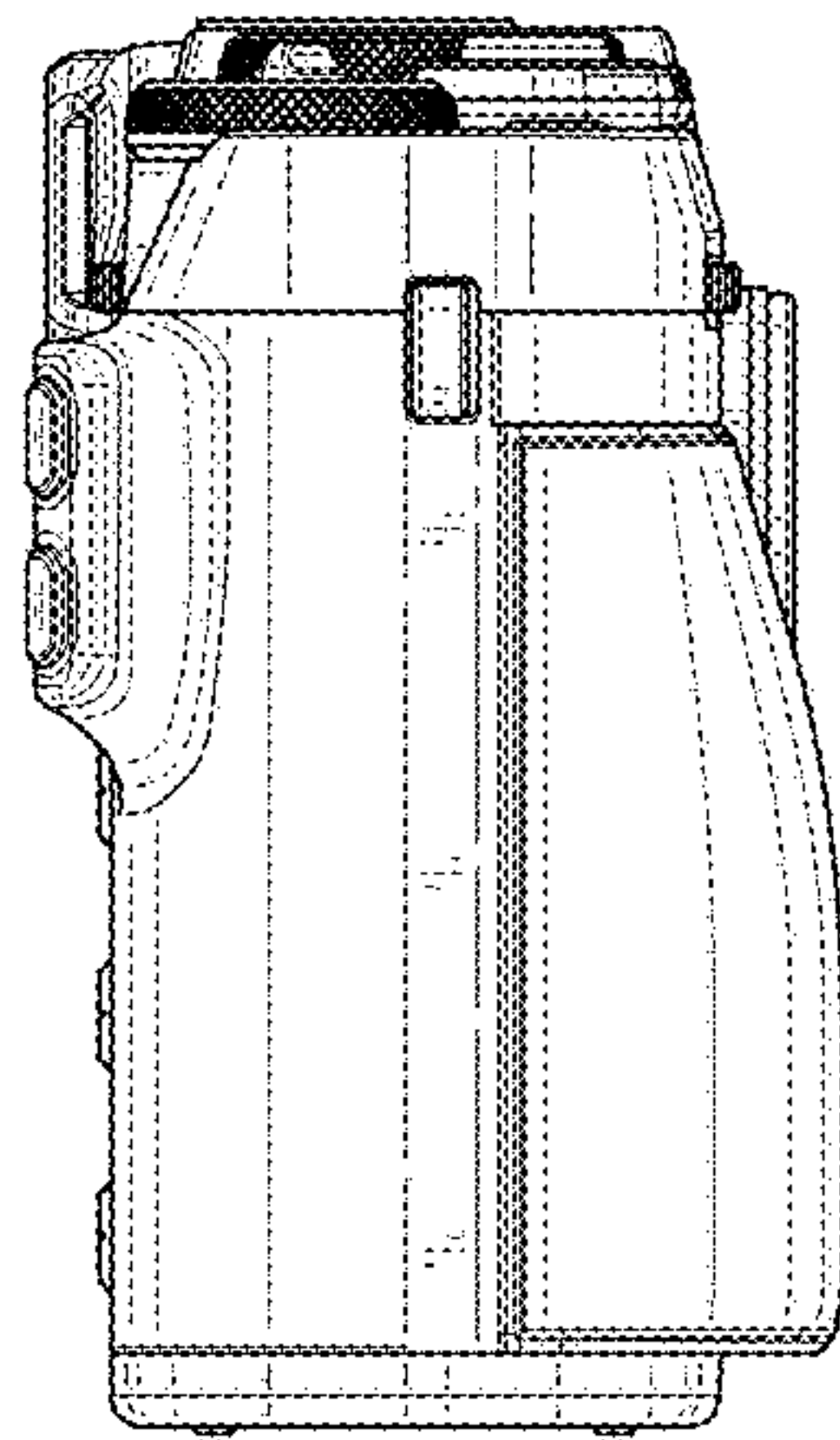


FIG. 6

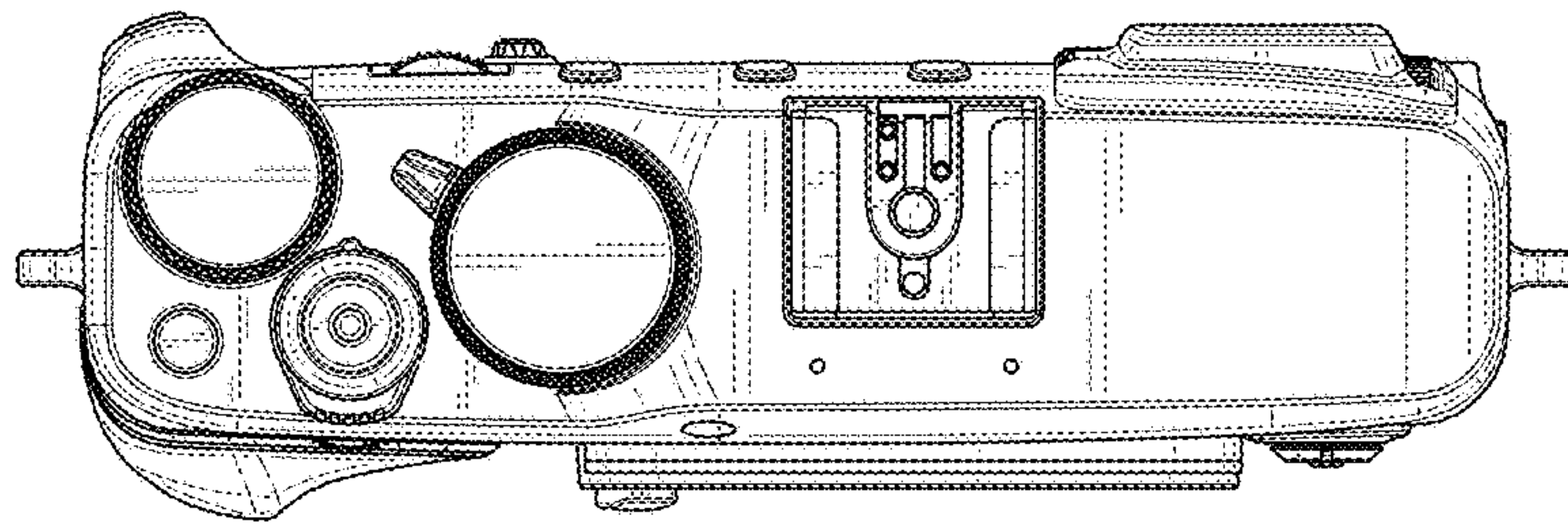


FIG. 7

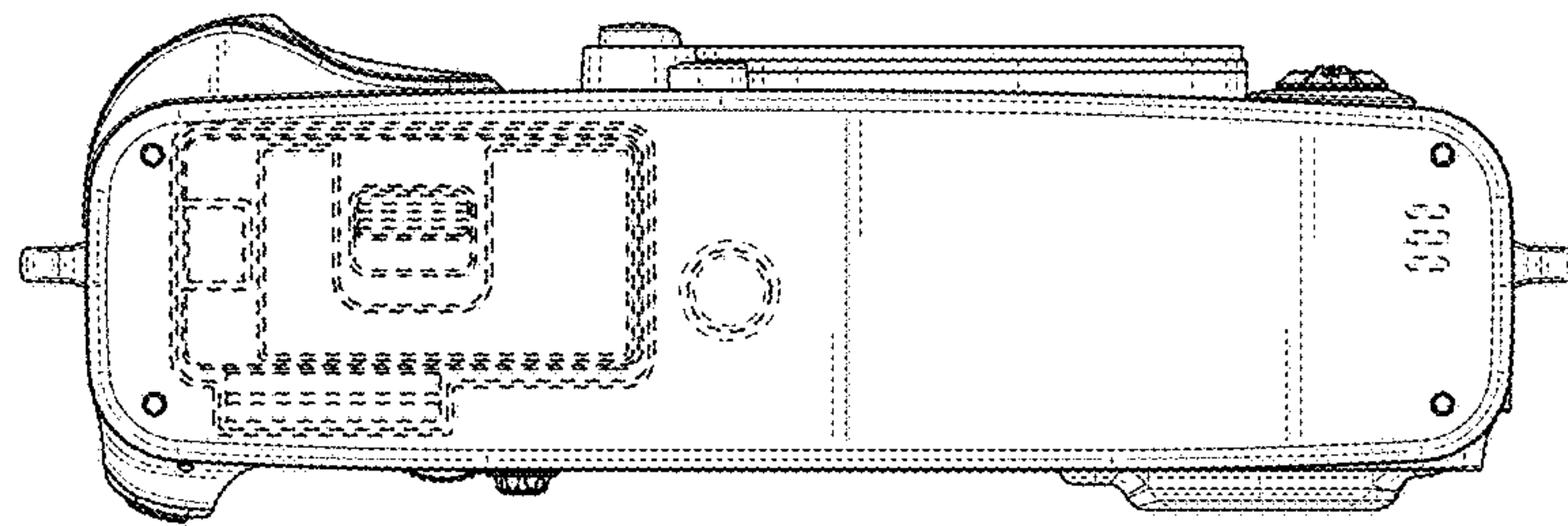


FIG. 8