



US00D852253S

(12) **United States Design Patent**  
**Lee**

(10) **Patent No.:** **US D852,253 S**  
(45) **Date of Patent:** **\*\* Jun. 25, 2019**

- (54) **TRIPLE CAMERA COUPLER**
- (71) Applicant: **Phantom AI, Inc.**, Burlingame, CA (US)
- (72) Inventor: **Chan Kyu Lee**, Albany, CA (US)
- (73) Assignee: **Phantom AI, Inc.**, Burlingame, CA (US)
- (\*\*) Term: **15 Years**
- (21) Appl. No.: **29/630,747**
- (22) Filed: **Dec. 22, 2017**
- (51) **LOC (11) Cl.** ..... **16-01**
- (52) **U.S. Cl.**  
USPC ..... **D16/200; D16/208**
- (58) **Field of Classification Search**  
USPC ..... D16/200, 202-203, 208, 218, 219, 242;  
D12/187-189, 400; 248/187.1;  
348/14.01-14.6, 143, 148, 151, 373-376;  
396/419, 427, 428, 535, 539-541  
CPC ..... G03B 17/02; G03B 19/04; G03B 17/56;  
G03B 17/04; G03B 15/03; H04N  
2101/00; H04N 2007/145; H04N 7/141;  
H04N 7/142; H04N 7/147; H04N 7/148;  
H04N 7/15; H04N 7/152  
See application file for complete search history.

- (56) **References Cited**  
U.S. PATENT DOCUMENTS  
D217,153 S \* 4/1970 Adkins ..... D16/203  
3,535,442 A \* 10/1970 Jennings ..... G08B 13/1963  
348/151  
D273,012 S \* 3/1984 Kozloski ..... D16/203  
D518,842 S \* 4/2006 Hilborn ..... D16/200  
D524,834 S \* 7/2006 Dozier ..... D16/200

- D657,809 S \* 4/2012 Harden ..... D16/202
- D680,142 S \* 4/2013 Weiss ..... D16/200
- D727,761 S \* 4/2015 Abe ..... D10/80
- D748,685 S \* 2/2016 Kunz ..... D15/28
- D768,730 S \* 10/2016 Kunz ..... D15/28
- D782,560 S \* 3/2017 Li ..... D16/208
- D822,747 S \* 7/2018 Van Deusen ..... D16/218
- D834,633 S \* 11/2018 Carlson ..... D16/208
- 2017/0182944 A1 6/2017 Achenbach et al.
- 2018/0035050 A1 2/2018 Lu et al.

\* cited by examiner

*Primary Examiner* — Ramzi S Almatrahi  
(74) *Attorney, Agent, or Firm* — Fenwick & West LLP

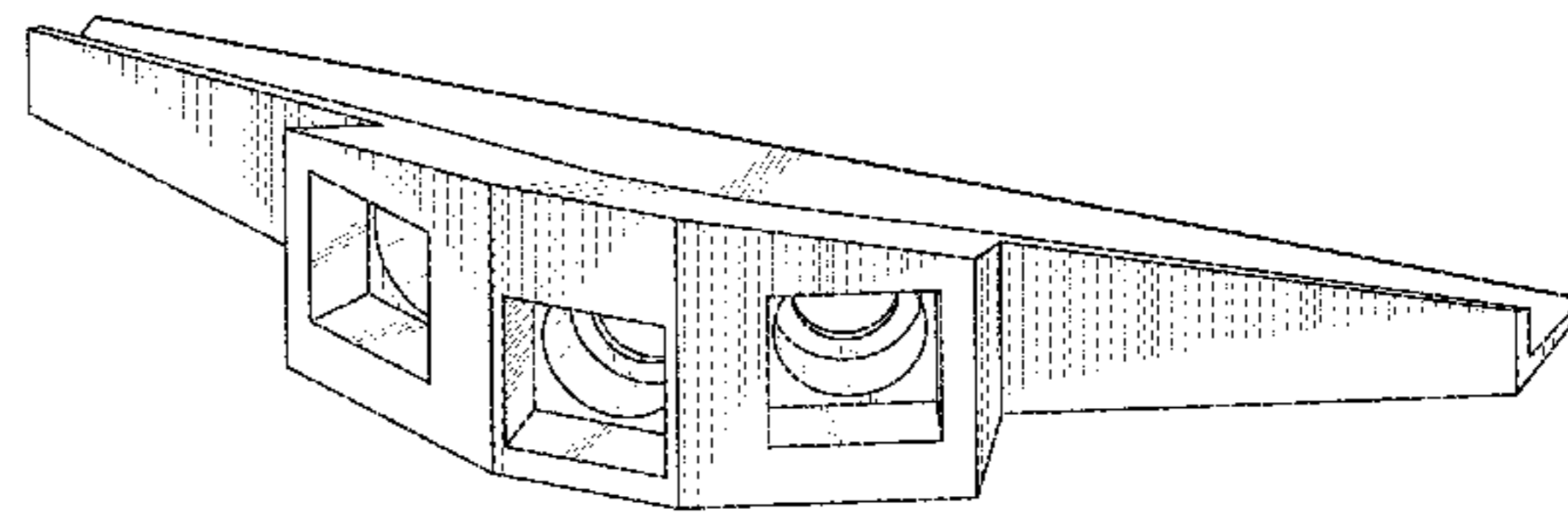
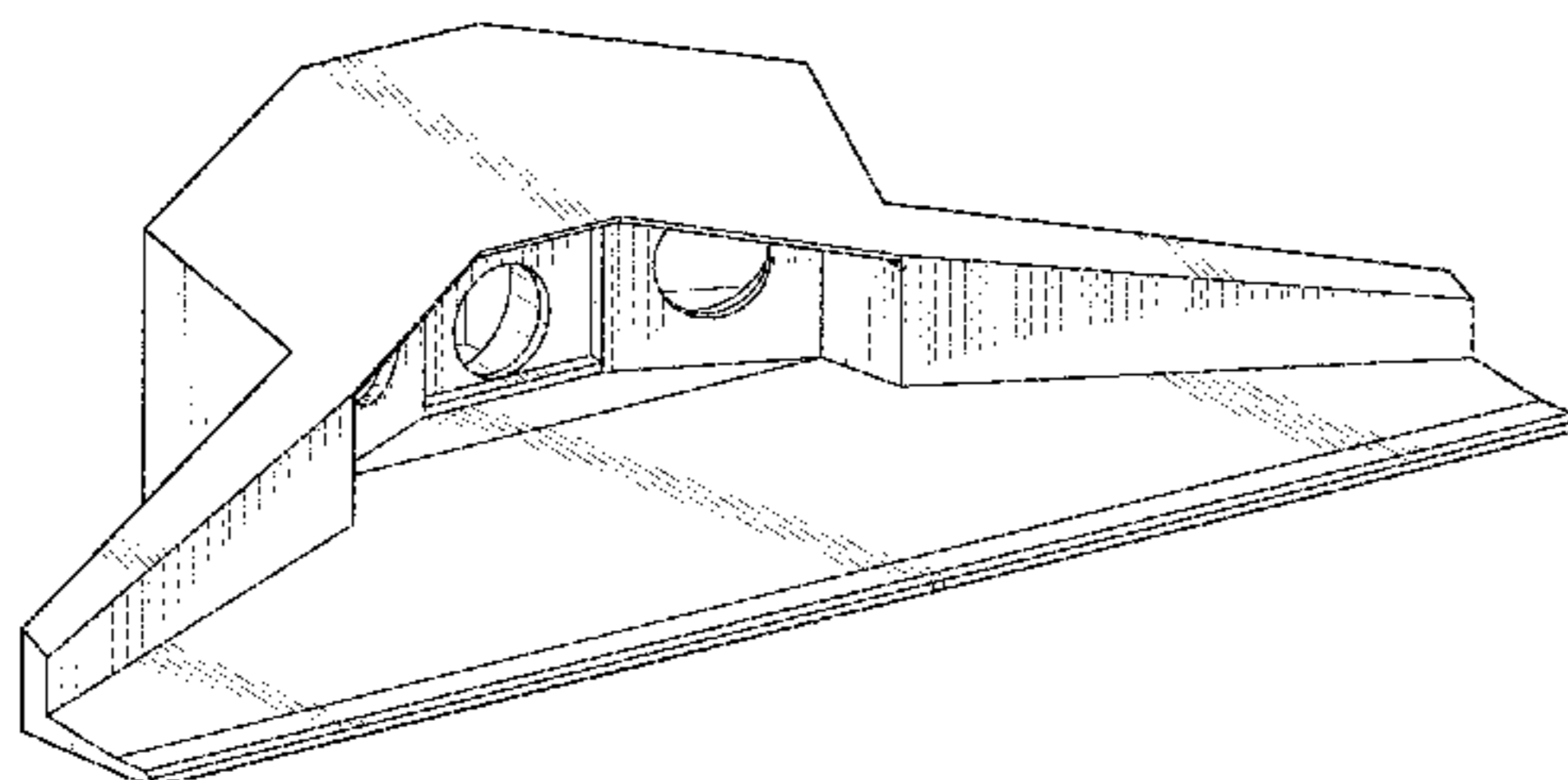
(57) **CLAIM**

The ornamental design for a triple camera coupler, as shown and described.

**DESCRIPTION**

FIG. 1 is a front and left side perspective view of a triple camera coupler showing my new design.  
 FIG. 2 is a rear and left side perspective view of the triple camera coupler of FIG. 1.  
 FIG. 3 is a front view of the triple camera coupler of FIG. 1.  
 FIG. 4 is a top plan view of the triple camera coupler of FIG. 1.  
 FIG. 5 is a left side view of the triple camera coupler of FIG. 1.  
 FIG. 6 is a right side view of the triple camera coupler of FIG. 1.  
 FIG. 7 is a rear view of the triple camera coupler of FIG. 1; and,  
 FIG. 8 is a bottom plan view of the triple camera coupler of FIG. 1.

**1 Claim, 8 Drawing Sheets**



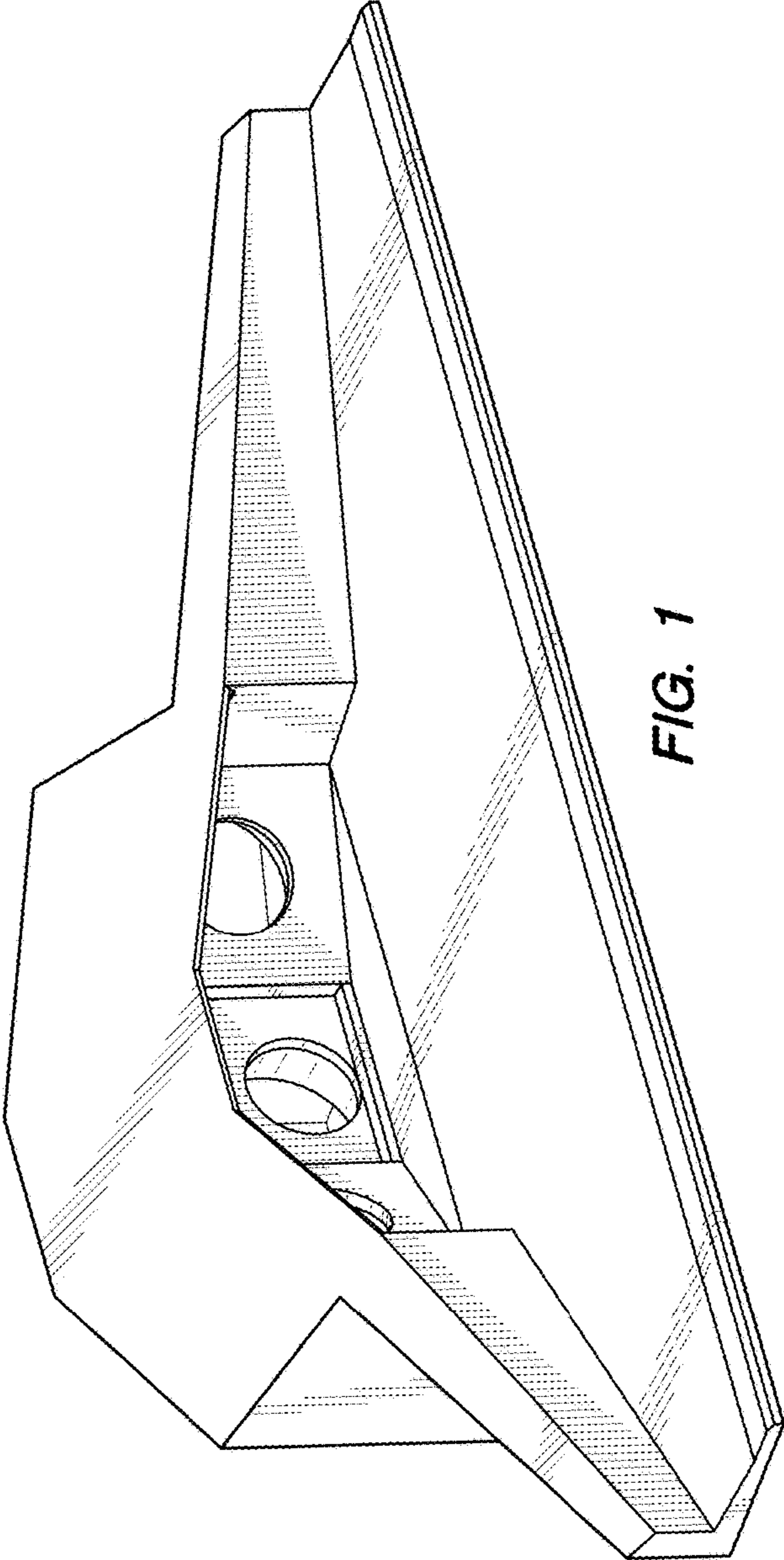


FIG. 1

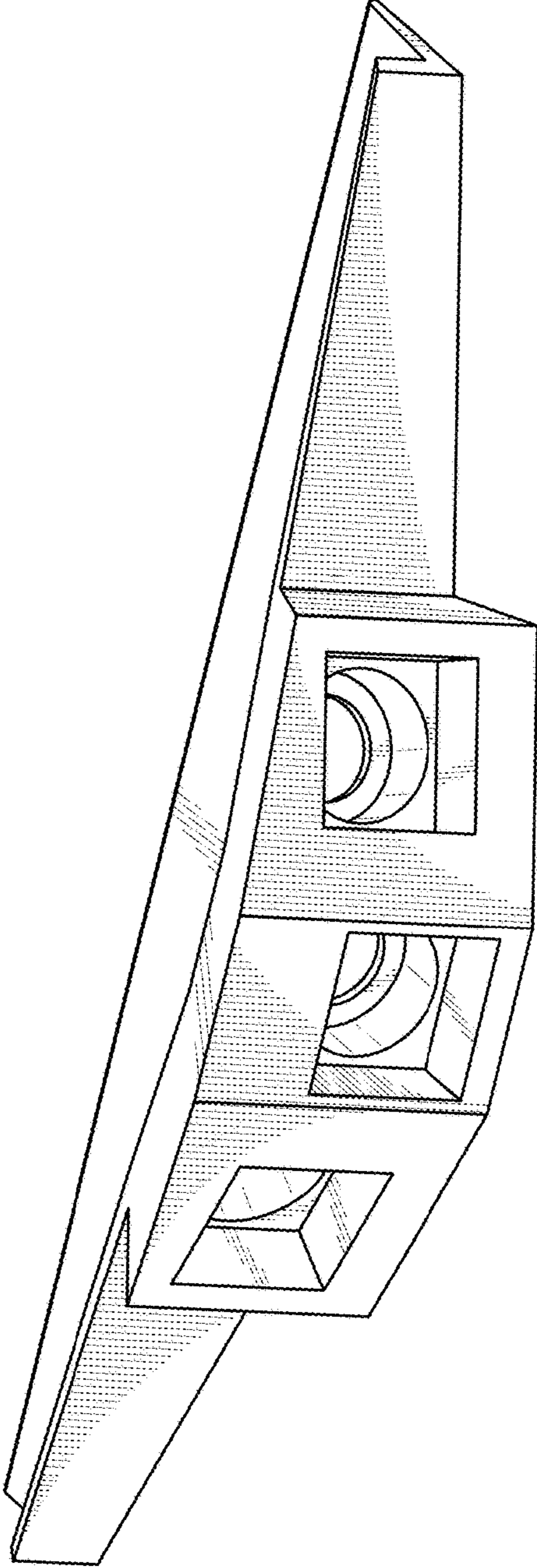


FIG. 2

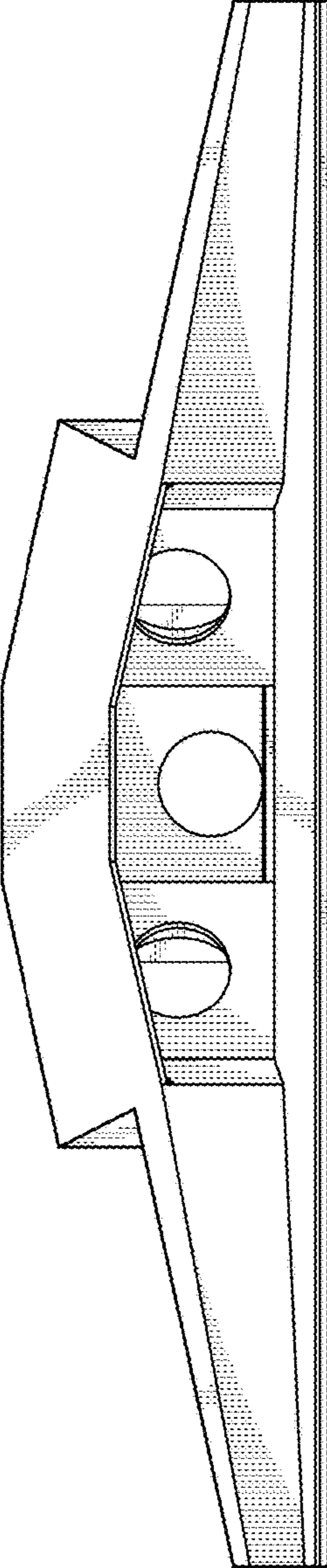


FIG. 3

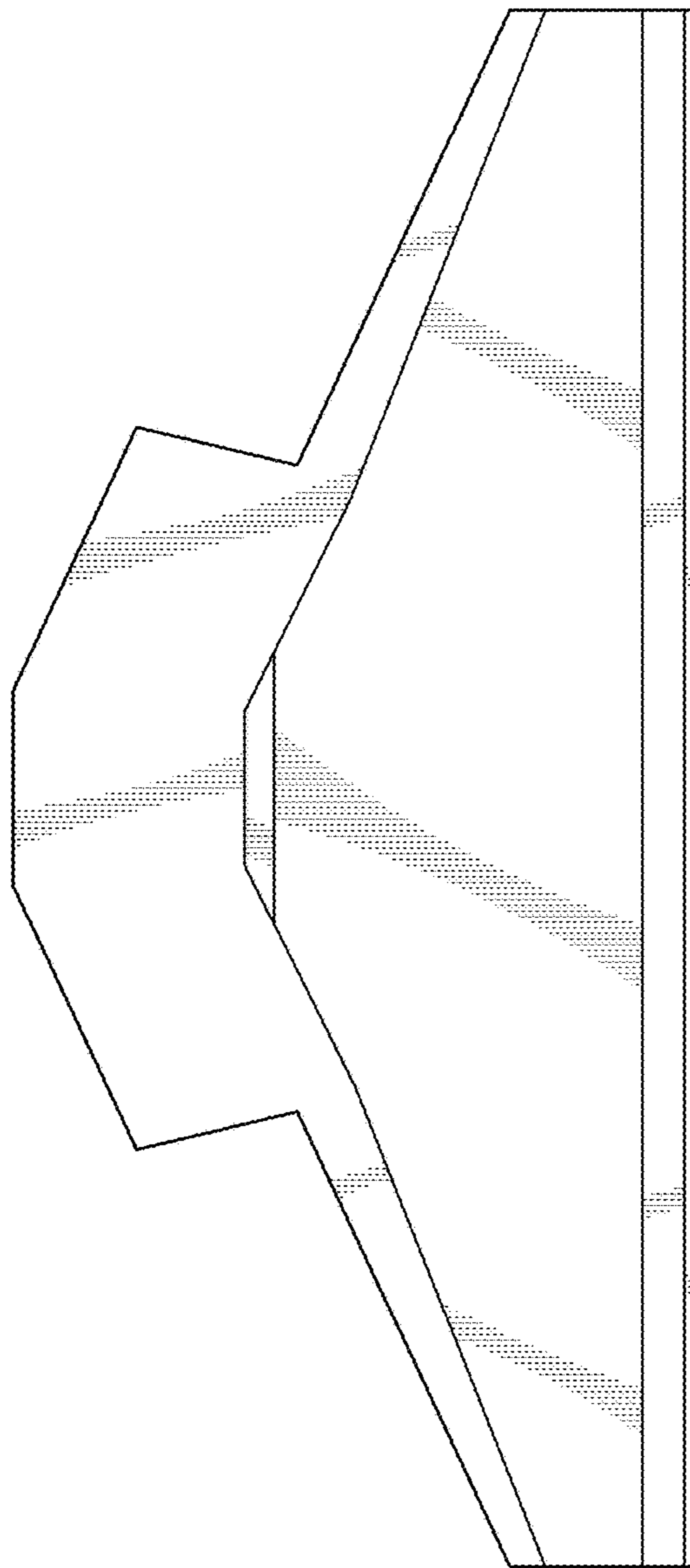


FIG. 4

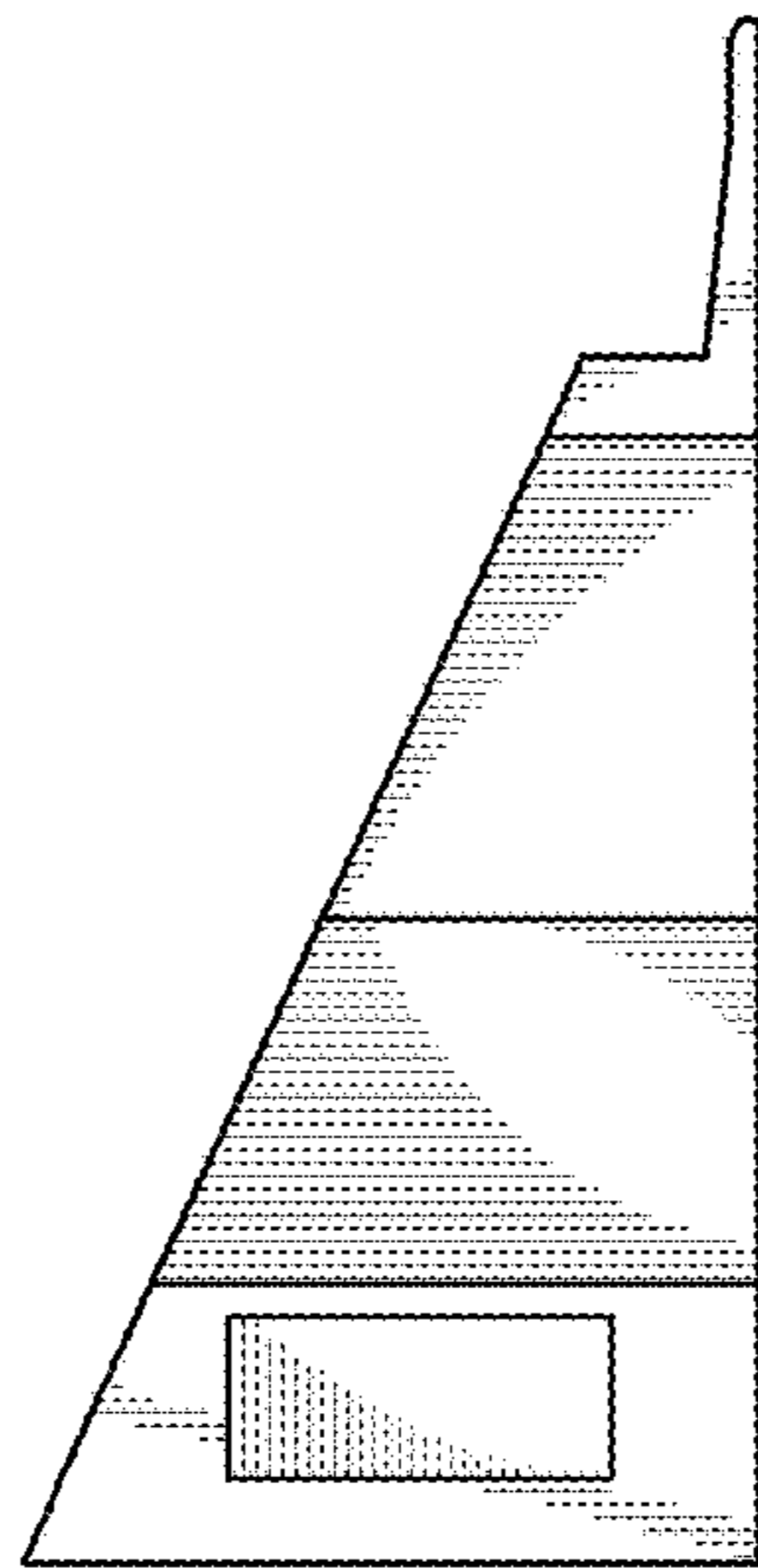
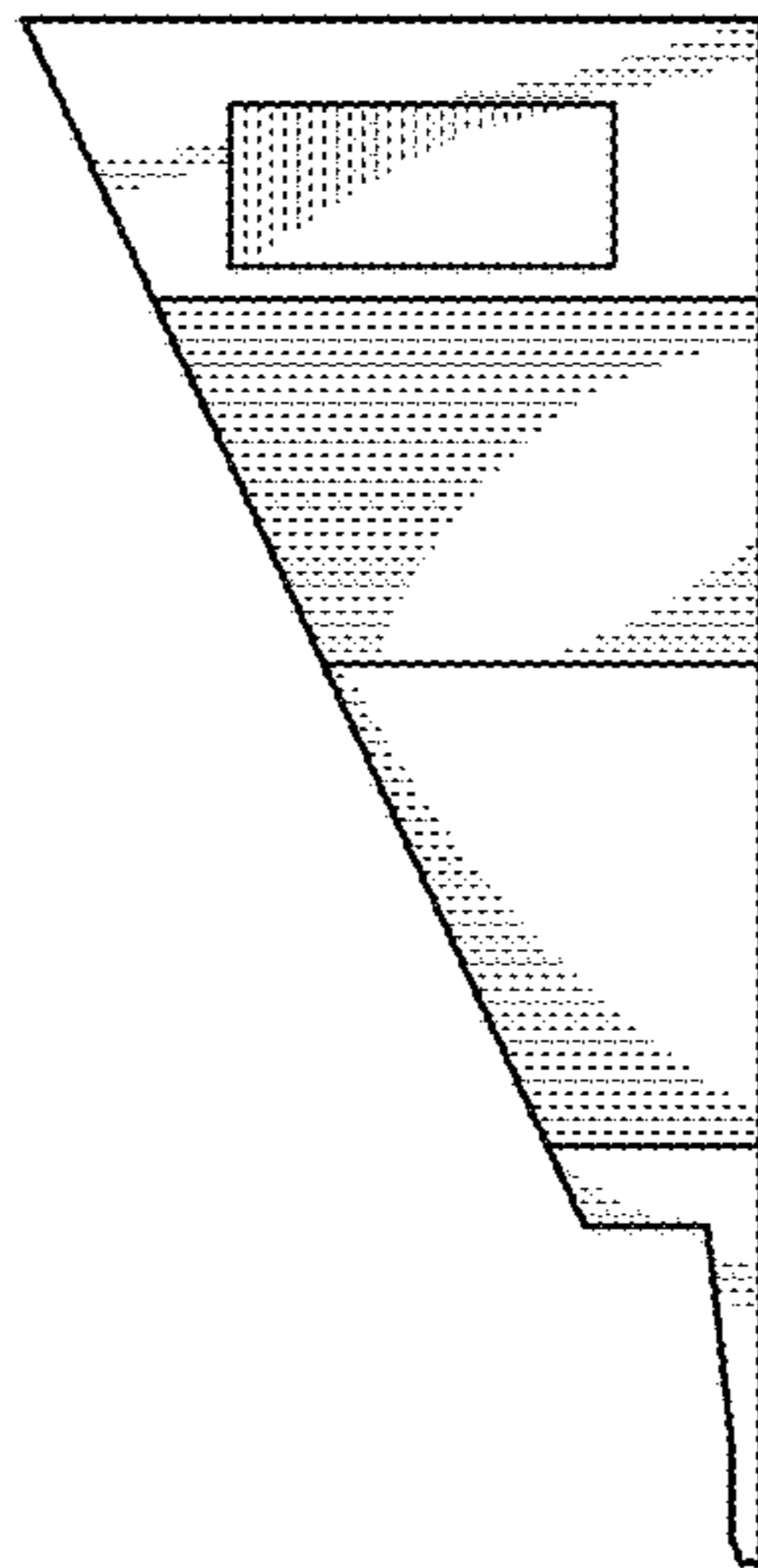


FIG. 5



*FIG. 6*

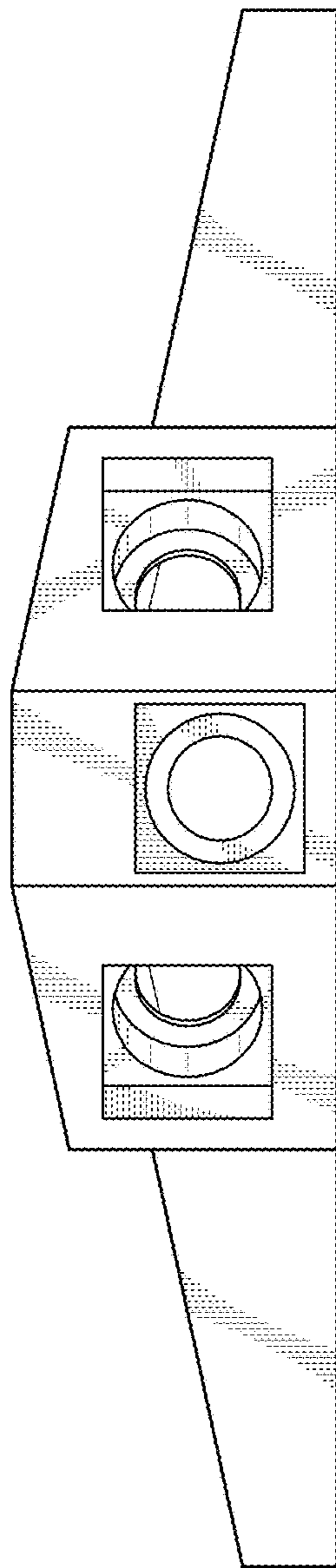
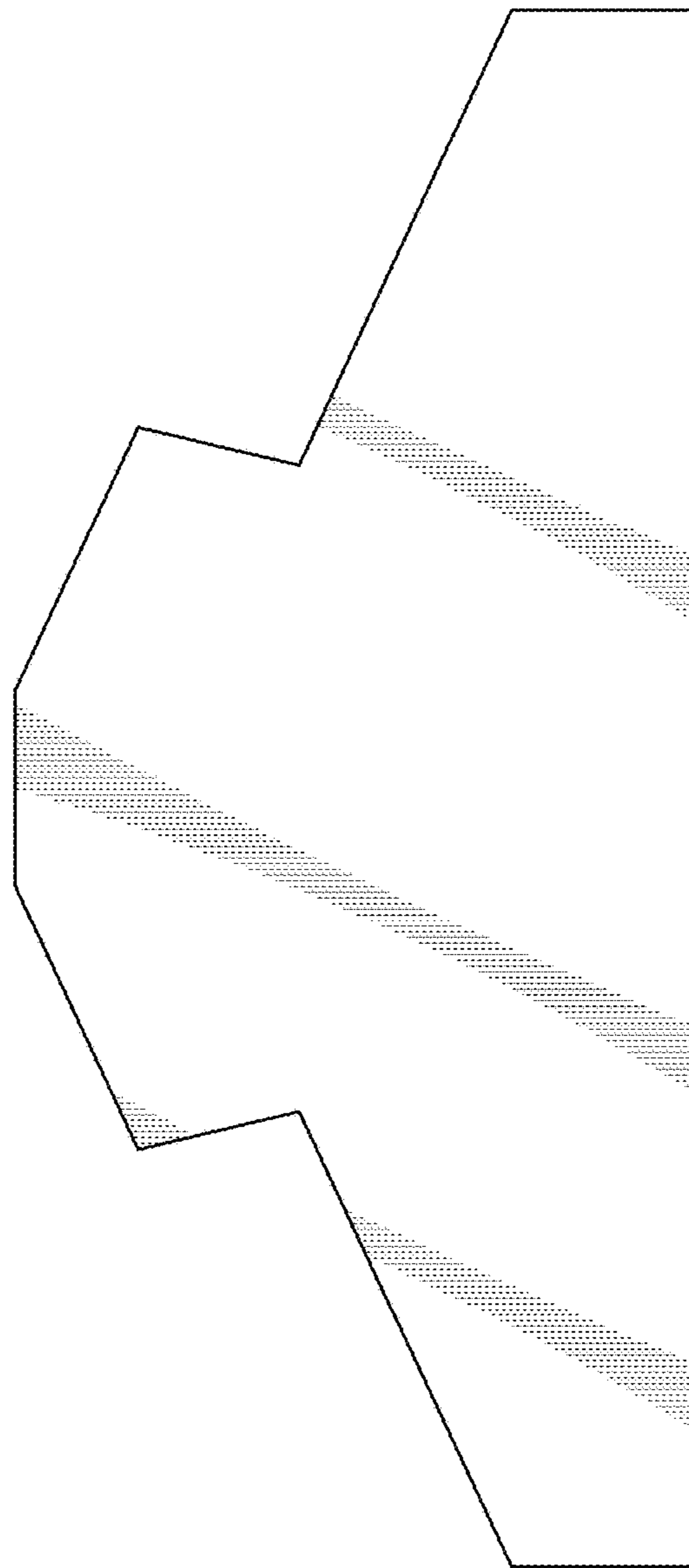


FIG. 7





**FIG. 8**