



US00D852252S

(12) **United States Design Patent**
Equis et al.

(10) **Patent No.:** **US D852,252 S**
(45) **Date of Patent:** **** Jun. 25, 2019**

(54) **MICROSCOPE**
(71) Applicant: **Nanolive SA**, Ecublens VD (CH)
(72) Inventors: **Sébastien Philippe Marc Equis**,
Penthalaz (CH); **Jean-François**
Chevalier, Paris (FR); **Nicolas René**
Daniel Pignier, Divonnes-les-Bains
(FR); **Yann Cotte**, Lausanne (CH)
(73) Assignee: **NANOLIVE SA**, Ecublens VD (CH)
(**) Term: **15 Years**

5,802,925 A * 9/1998 Kanao G02B 21/26
108/143
D430,588 S * 9/2000 Goldberg D16/135
6,791,600 B1 * 9/2004 Chan G06T 3/40
348/63
6,965,862 B2 * 11/2005 Schuller G10L 13/00
358/473
D546,355 S * 7/2007 Apotheloz D16/131
D546,356 S * 7/2007 Apotheloz D16/131
D546,357 S * 7/2007 Apotheloz D16/135
D596,655 S * 7/2009 Maerzhaeuser D16/131
7,576,912 B2 * 8/2009 Schutze B01L 9/523
359/391
D601,178 S * 9/2009 Apotheloz D16/131
(Continued)

(21) Appl. No.: **29/526,745**
(22) Filed: **May 13, 2015**

Primary Examiner — Holly E Thurman
(74) *Attorney, Agent, or Firm* — Harness, Dickey &
Pierce, P.L.C.

(30) **Foreign Application Priority Data**

Nov. 24, 2014 (EM) 854217401

(51) **LOC (11) Cl.** **16-06**

(52) **U.S. Cl.**
USPC **D16/131**

(58) **Field of Classification Search**
USPC D16/130-136; D22/100, 108, 109, 110,
D22/199; 33/297, 298, 227, 299;
42/111, 112, 113, 122, 130, 134-145,
42/124; 225/414; 356/29, 139, 2, 250,
356/251, 252, 138; 89/41, 19, 161,
89/200-204; 350/550; 250/467.1;
359/428, 424
CPC F41G 3/08
See application file for complete search history.

(57) **CLAIM**

The ornamental design for the microscope, as shown and described above.

DESCRIPTION

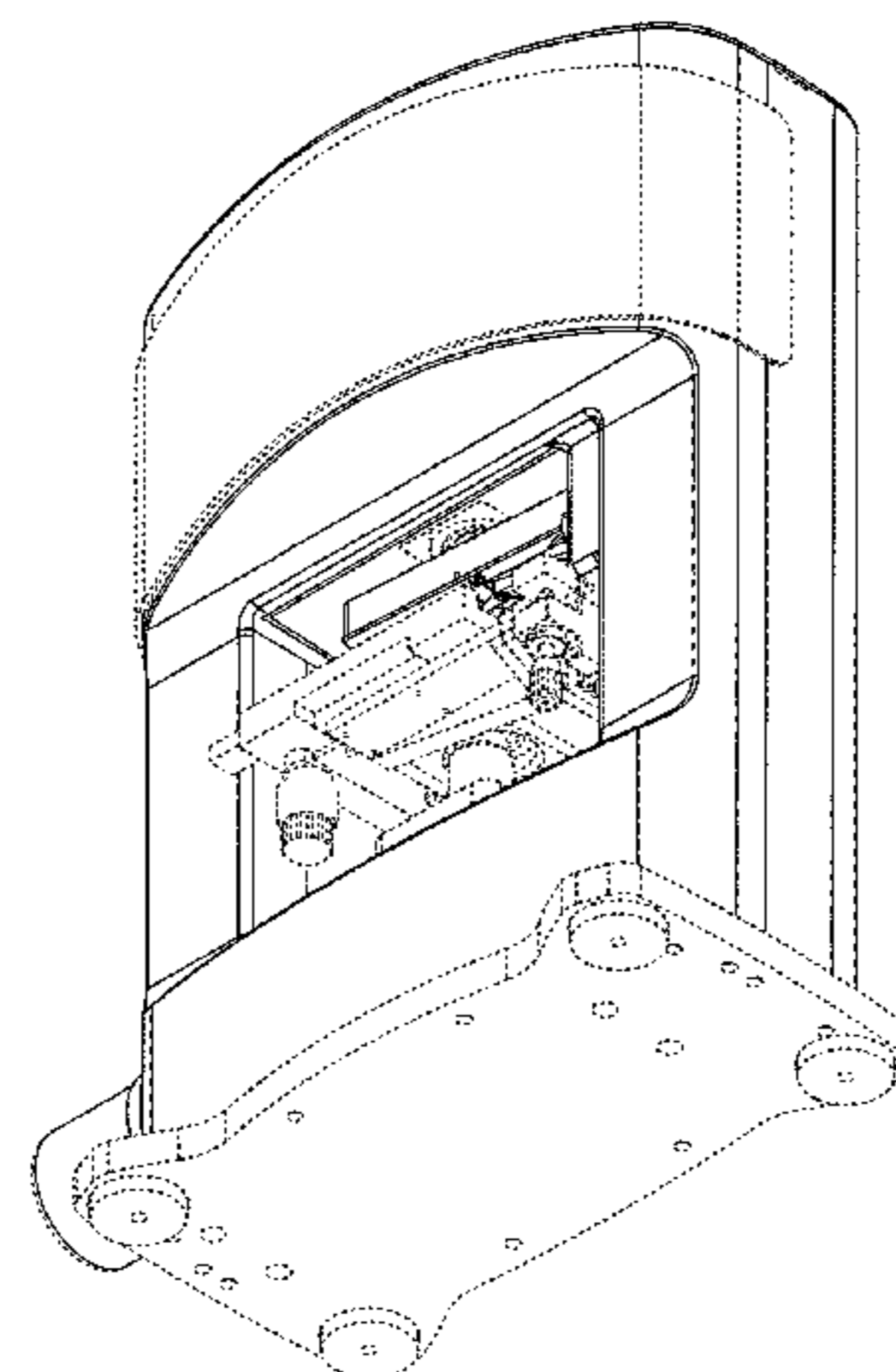
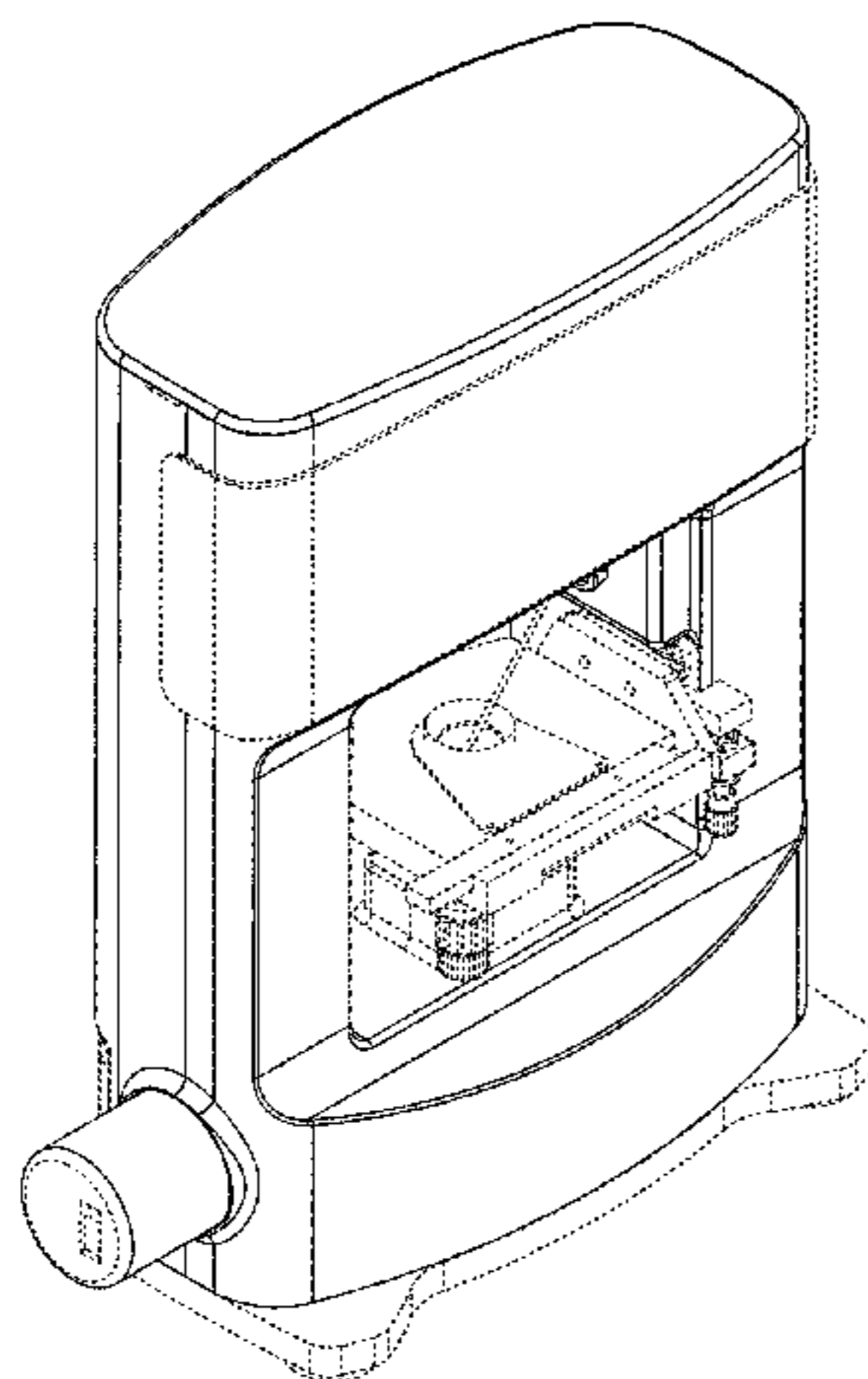
FIG. 1 is a top front right perspective view of an embodiment of a microscope showing our new design;
FIG. 2 is a top front left perspective view thereof;
FIG. 3 is a top rear right perspective view thereof;
FIG. 4 is a bottom front right perspective view thereof;
FIG. 5 is a bottom front left perspective view thereof;
FIG. 6 is a bottom rear right perspective view thereof;
FIG. 7 is a front view thereof;
FIG. 8 is a rear view thereof;
FIG. 9 is a top view thereof;
FIG. 10 is a bottom view thereof;
FIG. 11 is a left side view thereof; and,
FIG. 12 is a right side view thereof.
The broken lines depict environmental subject matter only and form no part of the claimed design.

(56) **References Cited**

U.S. PATENT DOCUMENTS

D211,414 S * 6/1968 Hockenberry D16/225
D254,868 S * 4/1980 Hoadley D16/221
D270,277 S * 8/1983 Studer D10/46
5,633,674 A * 5/1997 Trulaske G09B 21/008
348/63

1 Claim, 12 Drawing Sheets



(56)

References Cited

U.S. PATENT DOCUMENTS

D632,717 S *	2/2011	Maerzhaeuser	D16/131
D641,386 S *	7/2011	Maerzhaeuser	D16/131
8,681,268 B2 *	3/2014	Reznik	H04N 5/2252 348/155
D701,894 S *	4/2014	Reznik	D16/225
D721,371 S *	1/2015	Rivera	D14/420

* cited by examiner

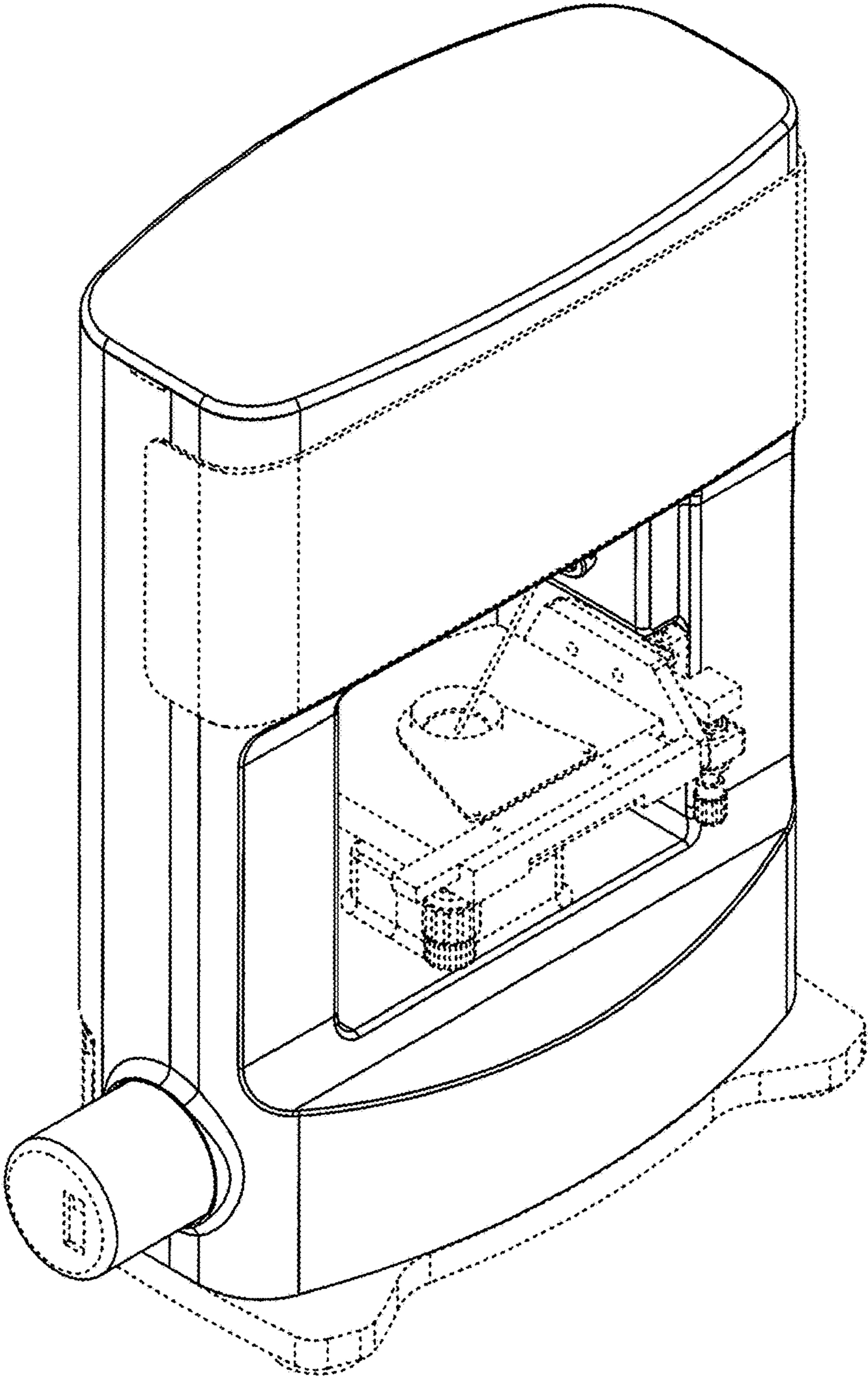


FIG. 1

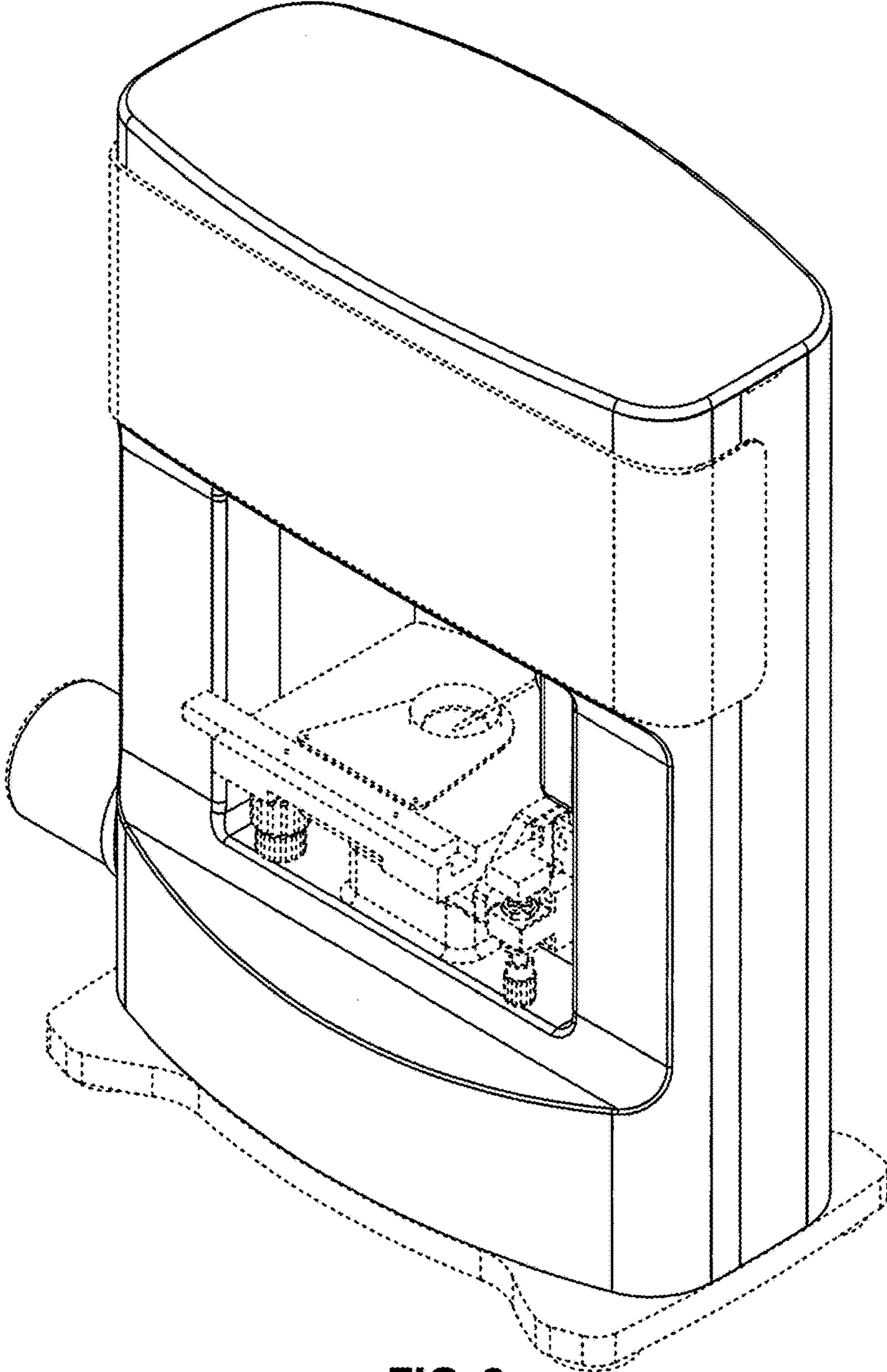


FIG. 2

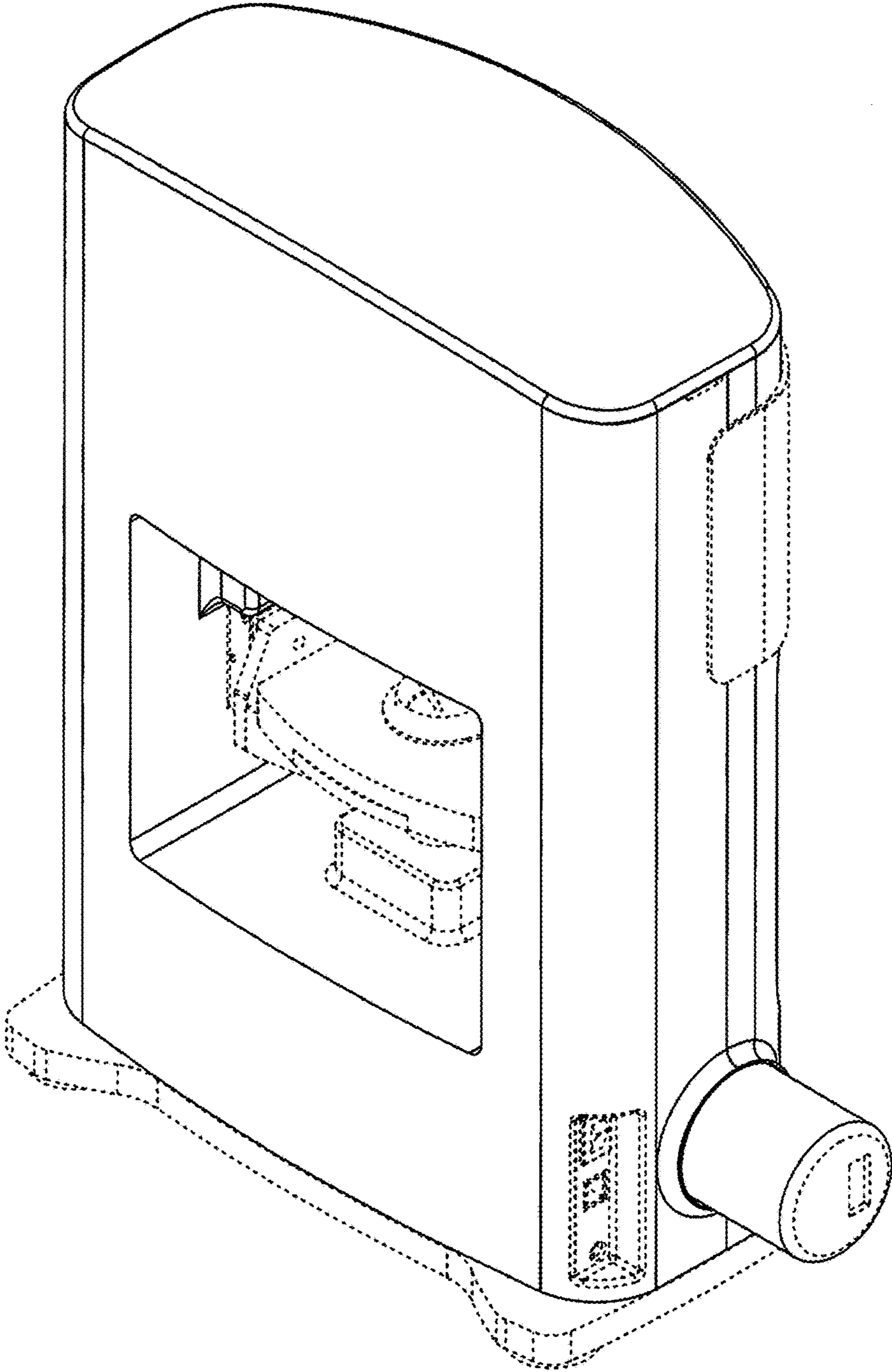


FIG. 3

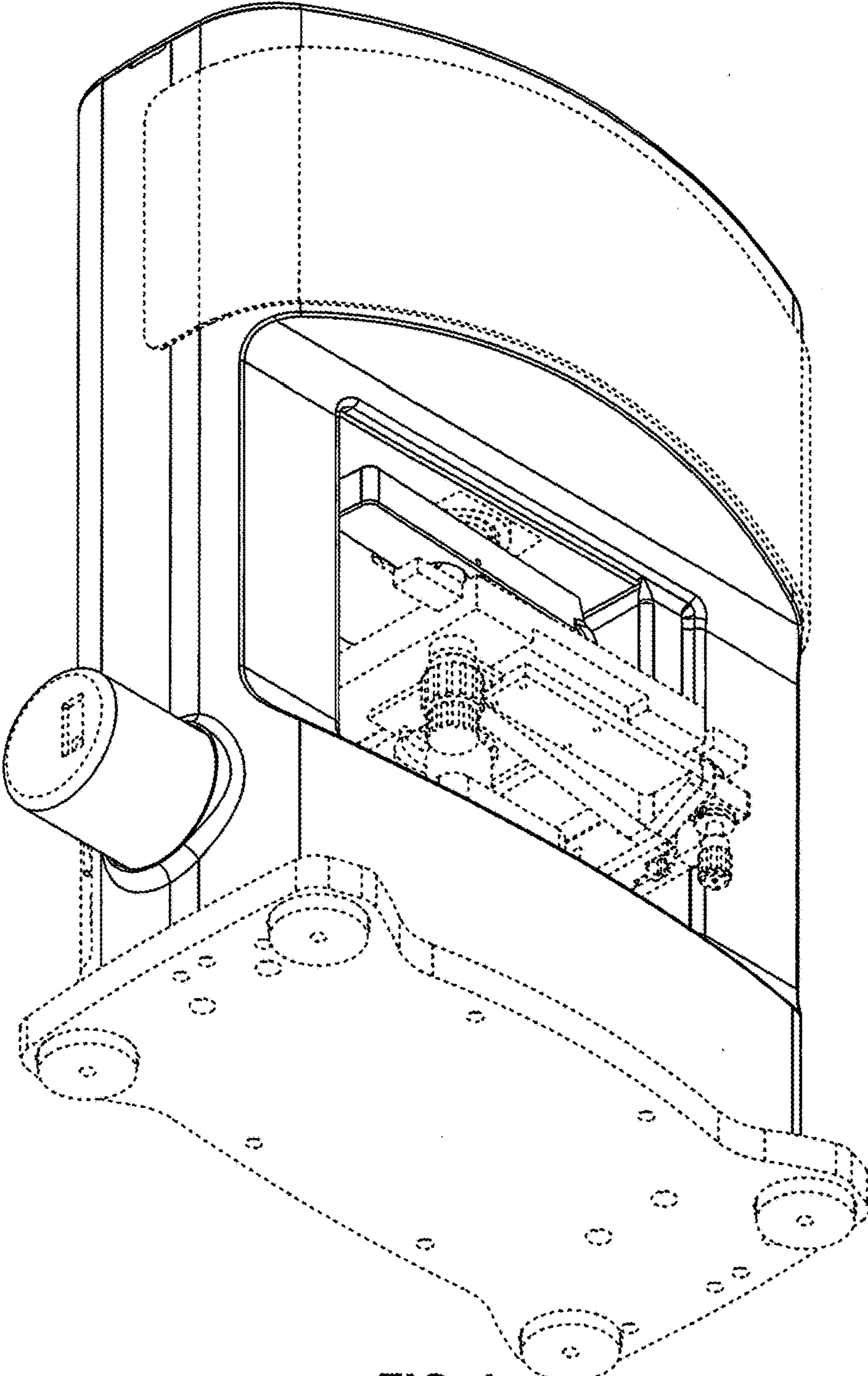


FIG. 4

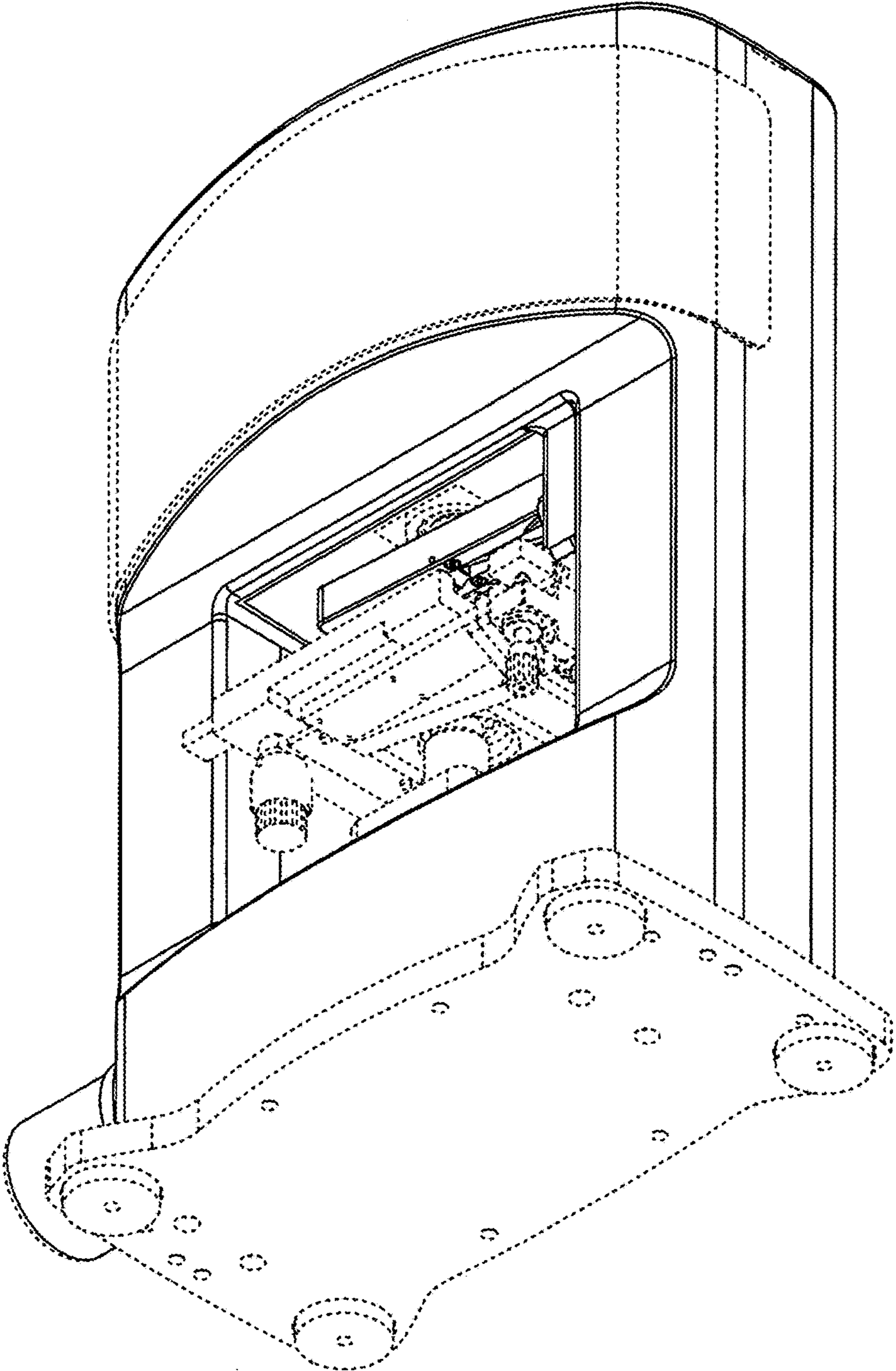


FIG. 5

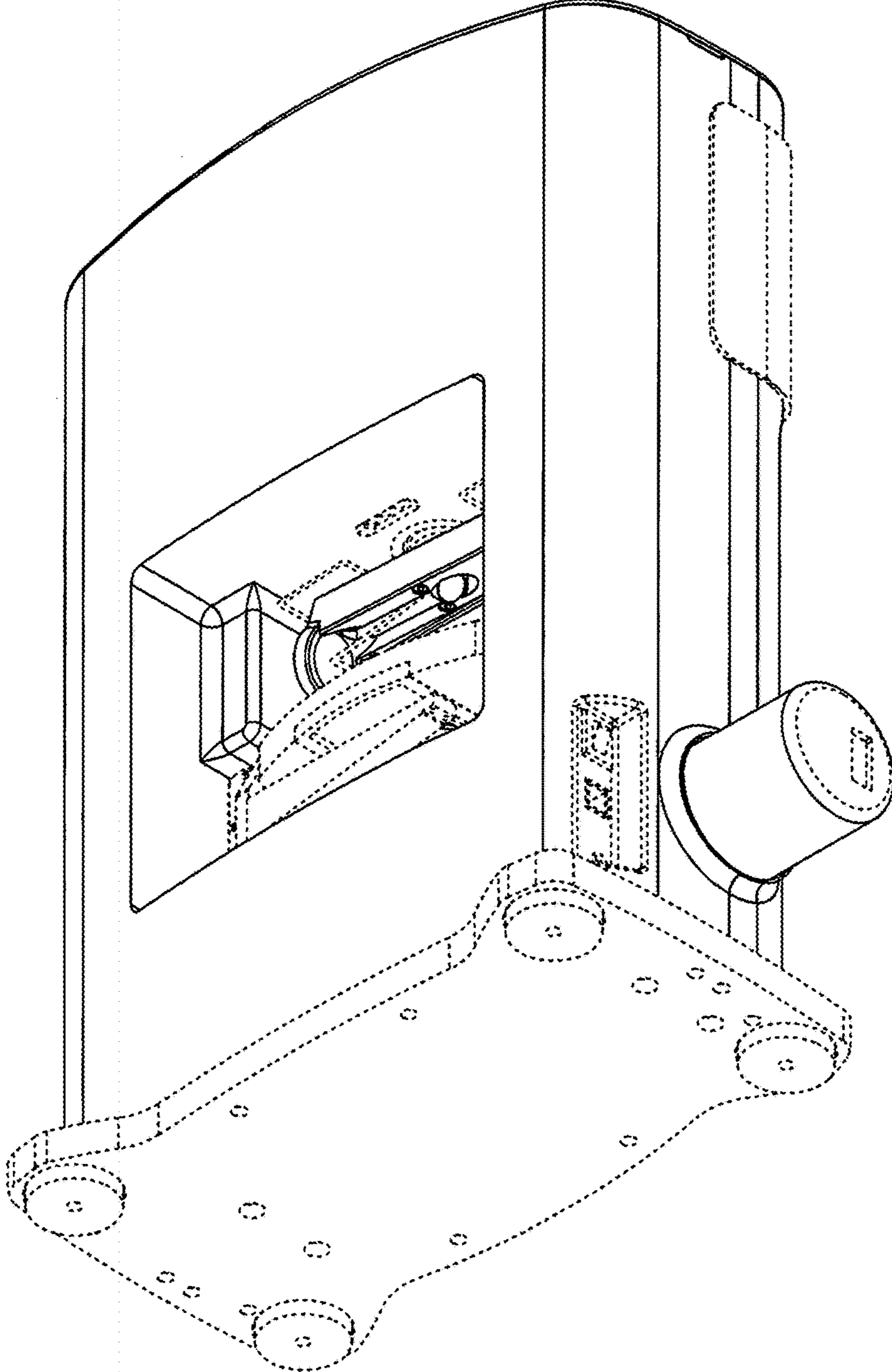


FIG. 6

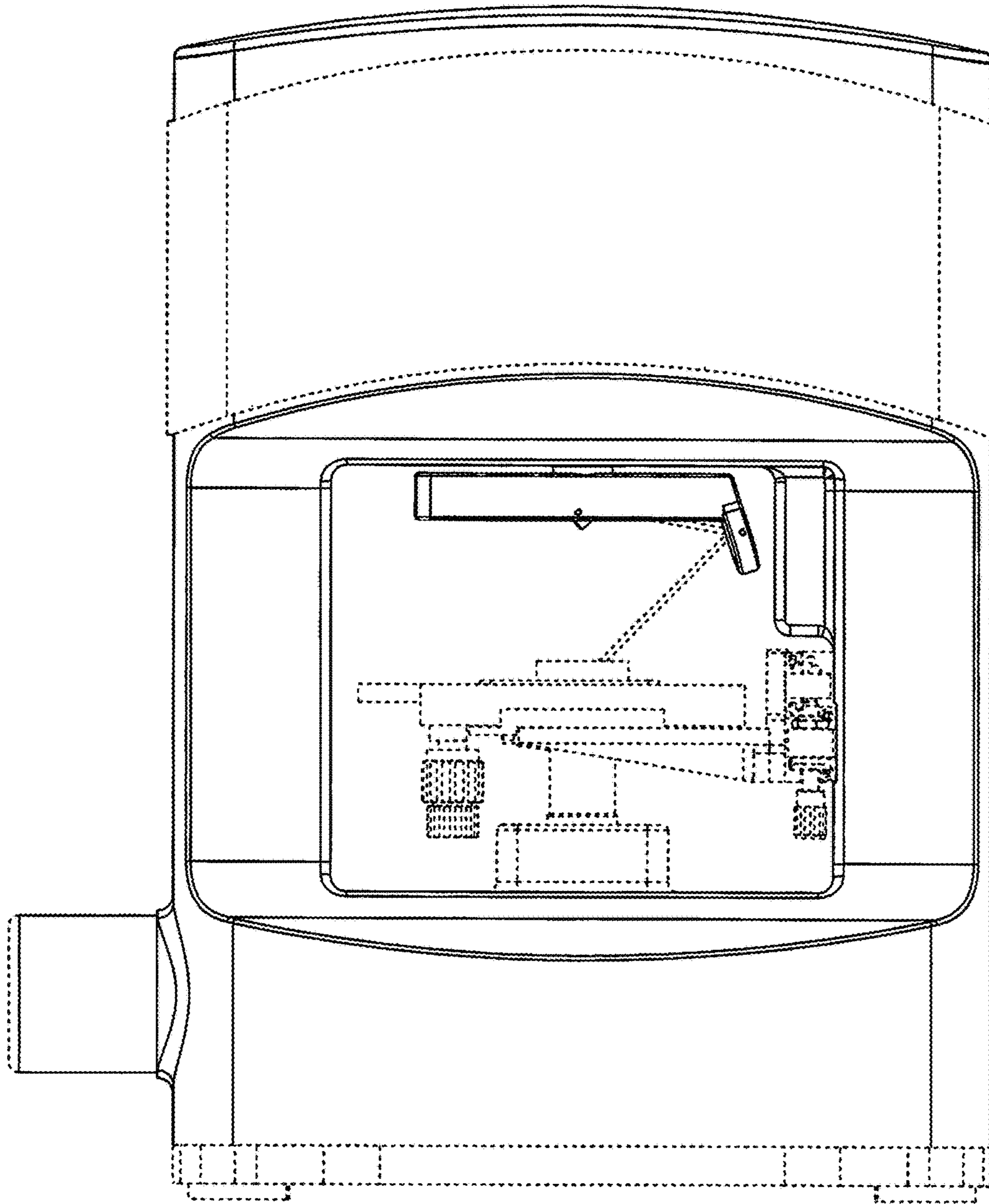


FIG. 7

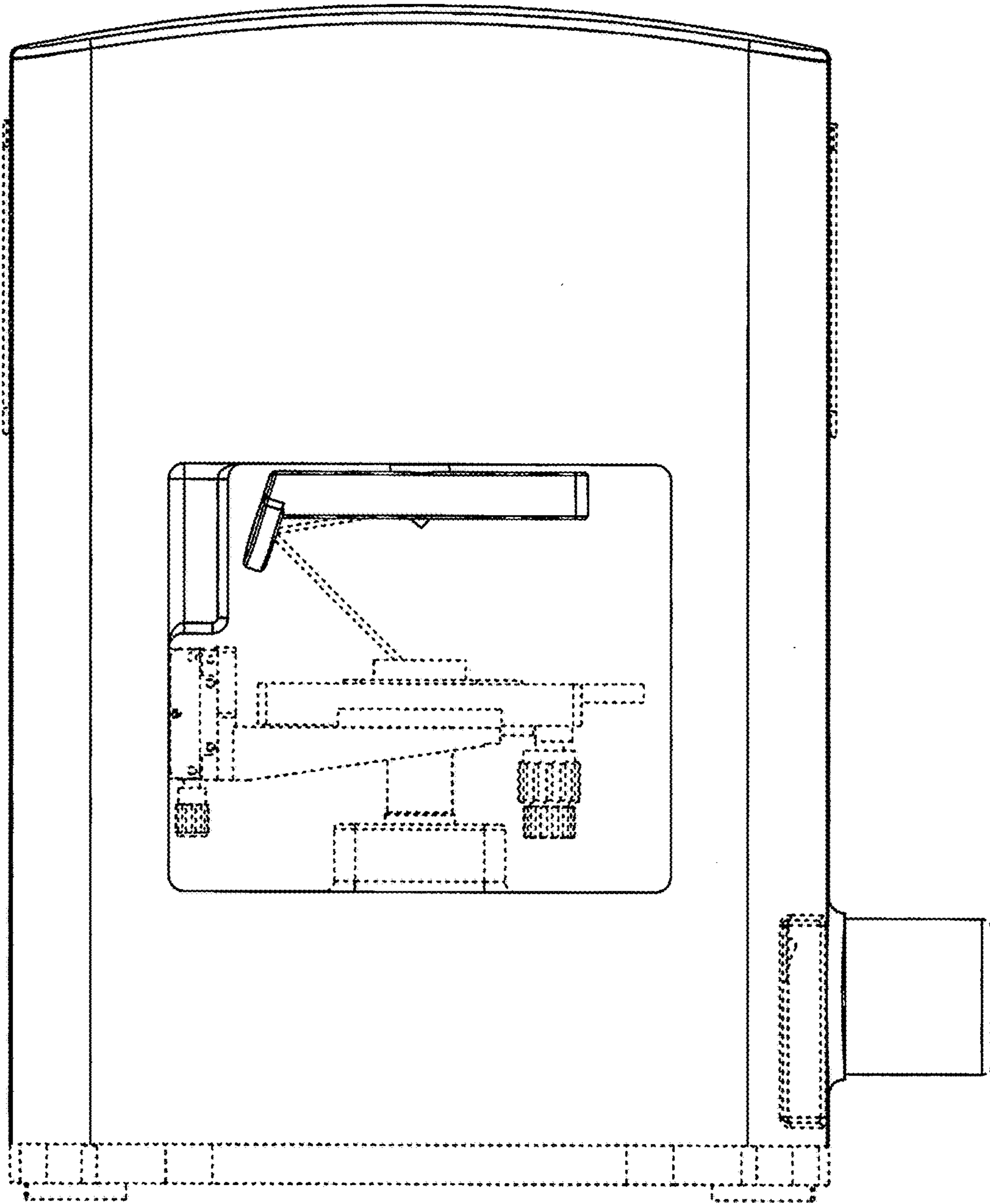


FIG. 8

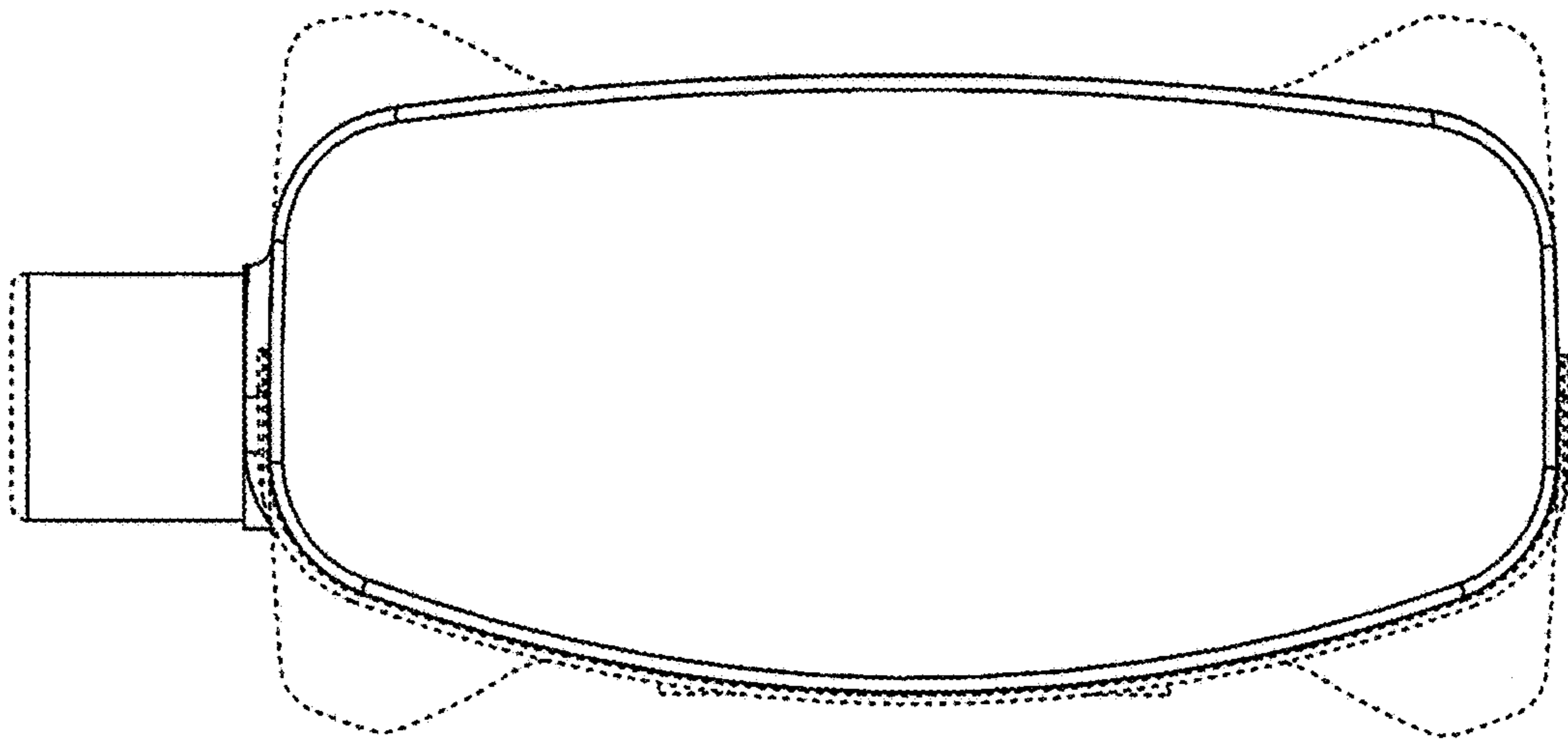


FIG. 9

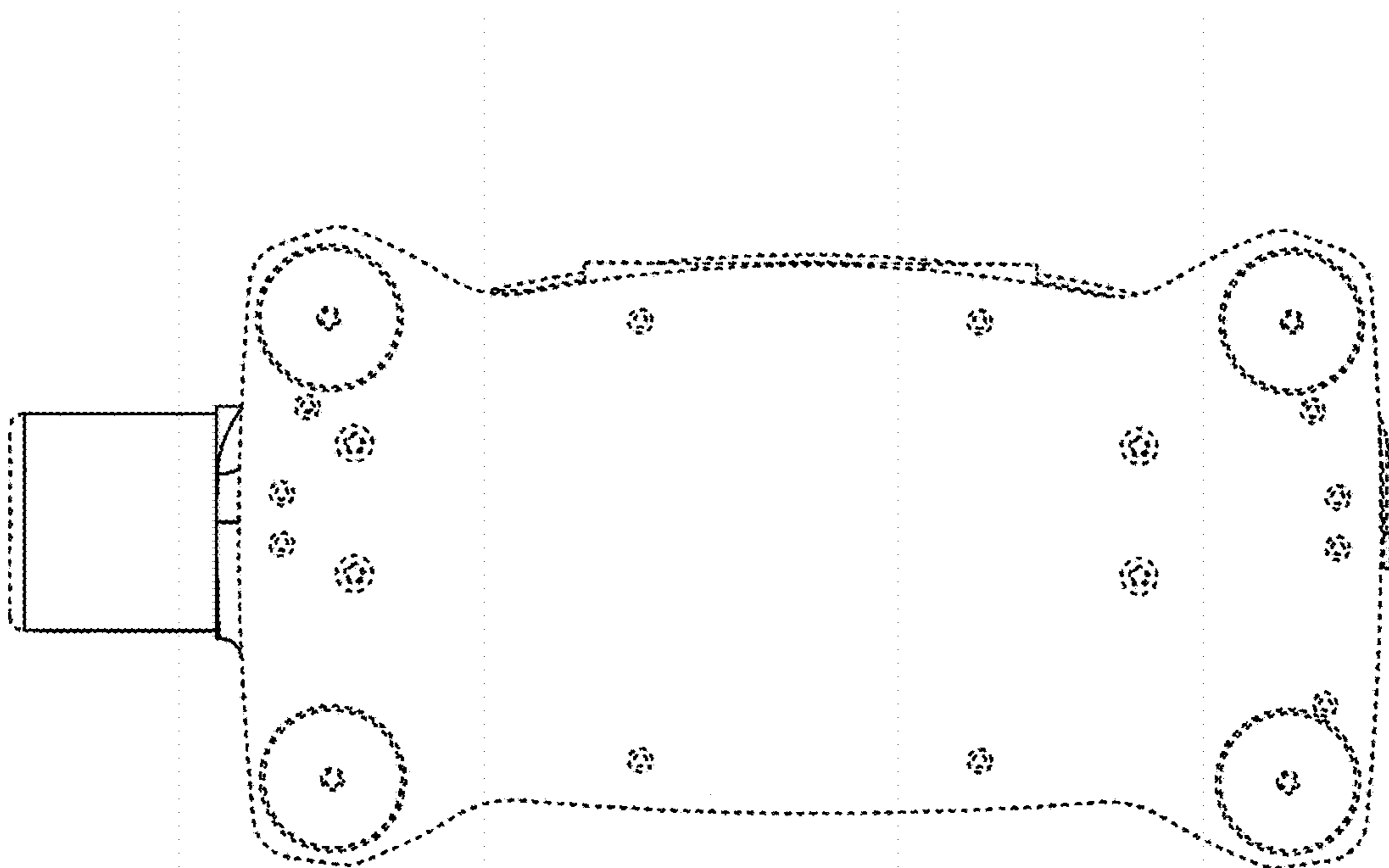


FIG. 10

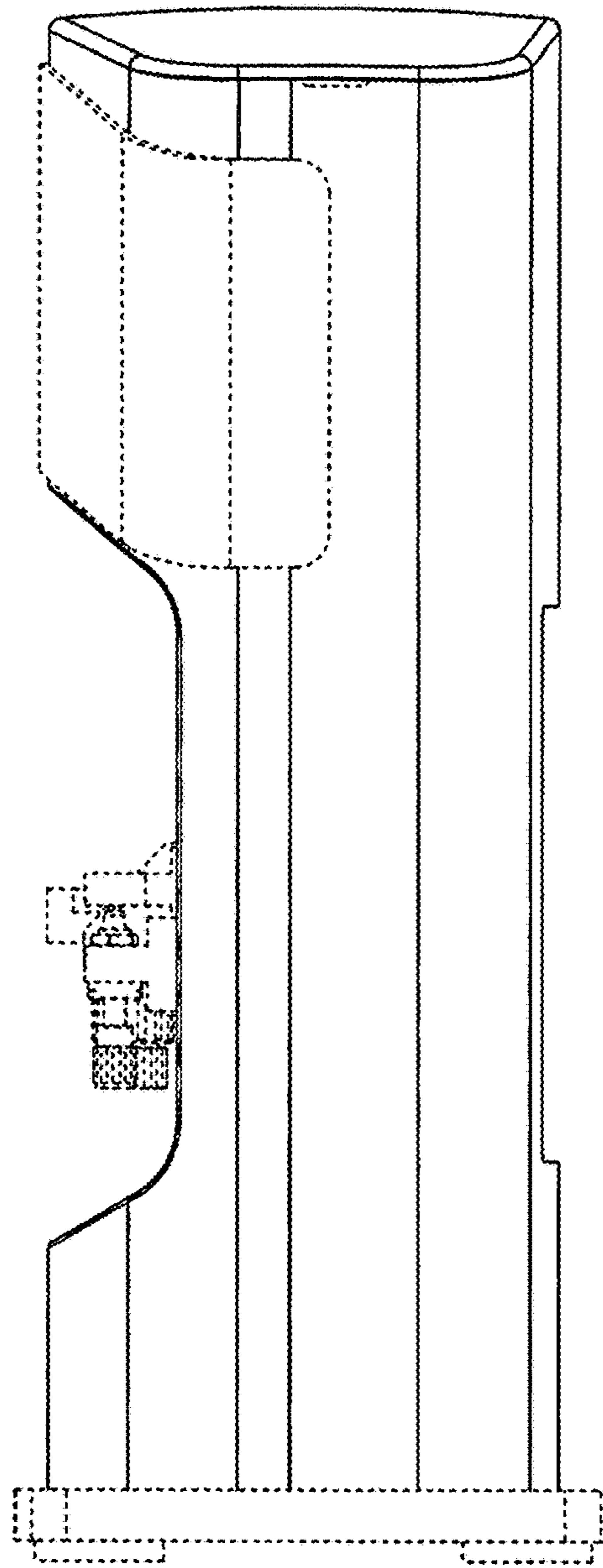


FIG. 11

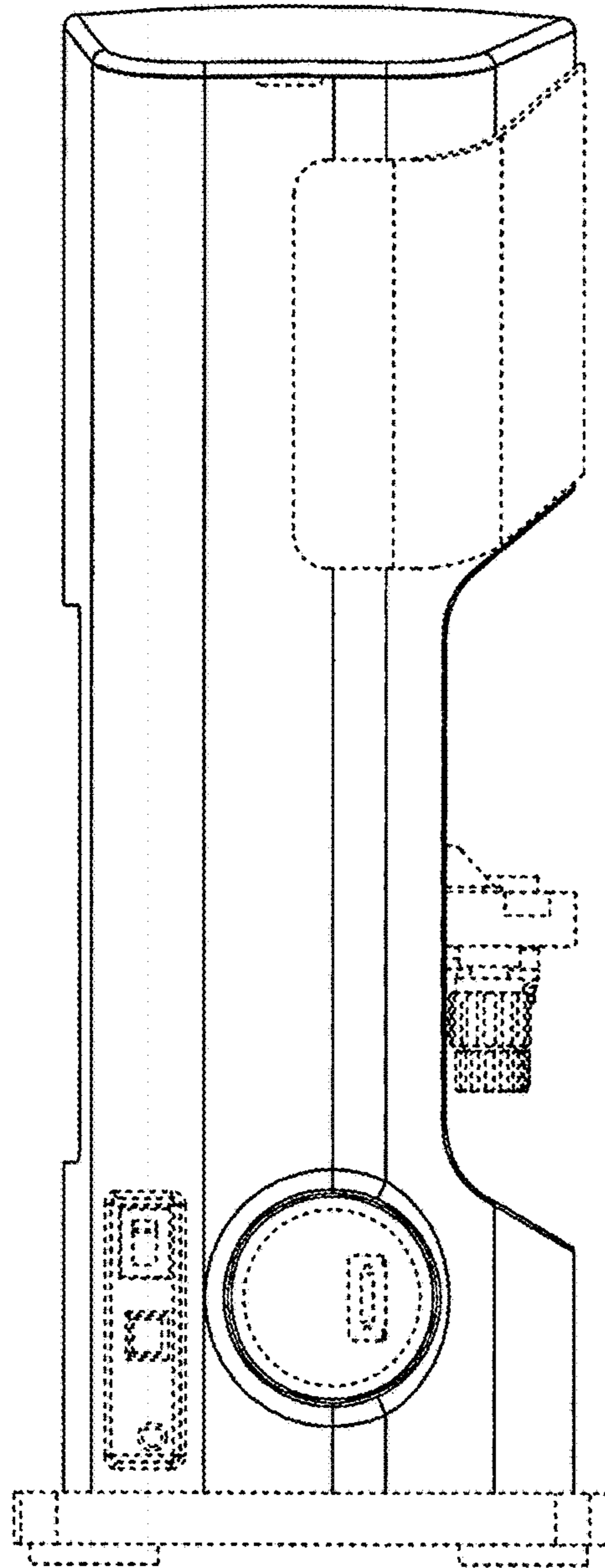


FIG. 12