



US00D852251S

(12) **United States Design Patent** (10) **Patent No.:** **US D852,251 S**
Skolianos et al. (45) **Date of Patent:** **** Jun. 25, 2019**

(54) **MONOCULAR OPTICAL SYSTEM FOR REFRACTIVE ERROR MEASUREMENTS**

(71) Applicant: **EyeQue Inc.**, Newark, CA (US)
(72) Inventors: **Georgios Skolianos**, Newark, CA (US); **Ying Xu**, Newark, CA (US); **John Serri**, Newark, CA (US); **David Hishinuma**, Newark, CA (US)
(73) Assignee: **EYEQUE INC.**, Newark, CA (US)

(**) Term: **15 Years**

(21) Appl. No.: **29/587,992**

(22) Filed: **Dec. 16, 2016**

(51) **LOC (11) Cl.** **16-99**

(52) **U.S. Cl.**
USPC **D16/130**

(58) **Field of Classification Search**
USPC D16/19, 38, 48, 100, 101, 131, 132, 133, D16/134, 135, 310, 140, 130; D14/372, D14/496, 432; D26/142
CPC A42B 3/04; A61B 17/00
See application file for complete search history.

(56) **References Cited**

U.S. PATENT DOCUMENTS

D110,582 S *	7/1938	Hartman	D16/130
D171,806 S *	3/1954	Macaluso, Jr.	D16/135
D234,007 S *	12/1974	Ritter	396/337
D253,177 S *	10/1979	Litman	250/214 VT
D271,209 S *	11/1983	Feinbloom	D16/130
D276,624 S *	12/1984	Feinbloom	D16/130
D421,286 S *	2/2000	Tucker	D16/130
D612,497 S *	3/2010	Berci	D16/130
D757,877 S *	5/2016	Huang	D22/108
D761,373 S *	7/2016	Lessard	D22/108
D770,552 S *	11/2016	Radl	D16/130
D771,172 S *	11/2016	Huang	D16/134
D788,831 S *	6/2017	Pilz	D10/46

D797,175 S *	9/2017	Paulsel	D16/130
D811,513 S *	2/2018	Payton	D22/108
2010/0286484 A1 *	11/2010	Stellon	A61B 17/3423
				600/208
2011/0144443 A1 *	6/2011	Shelton, IV	A61B 1/32
				600/206

(Continued)

Primary Examiner — Mark A Goodwin
Assistant Examiner — Benjamin M Weeks
(74) *Attorney, Agent, or Firm* — Steven A. Nielsen;
www.NielsenPatents.com

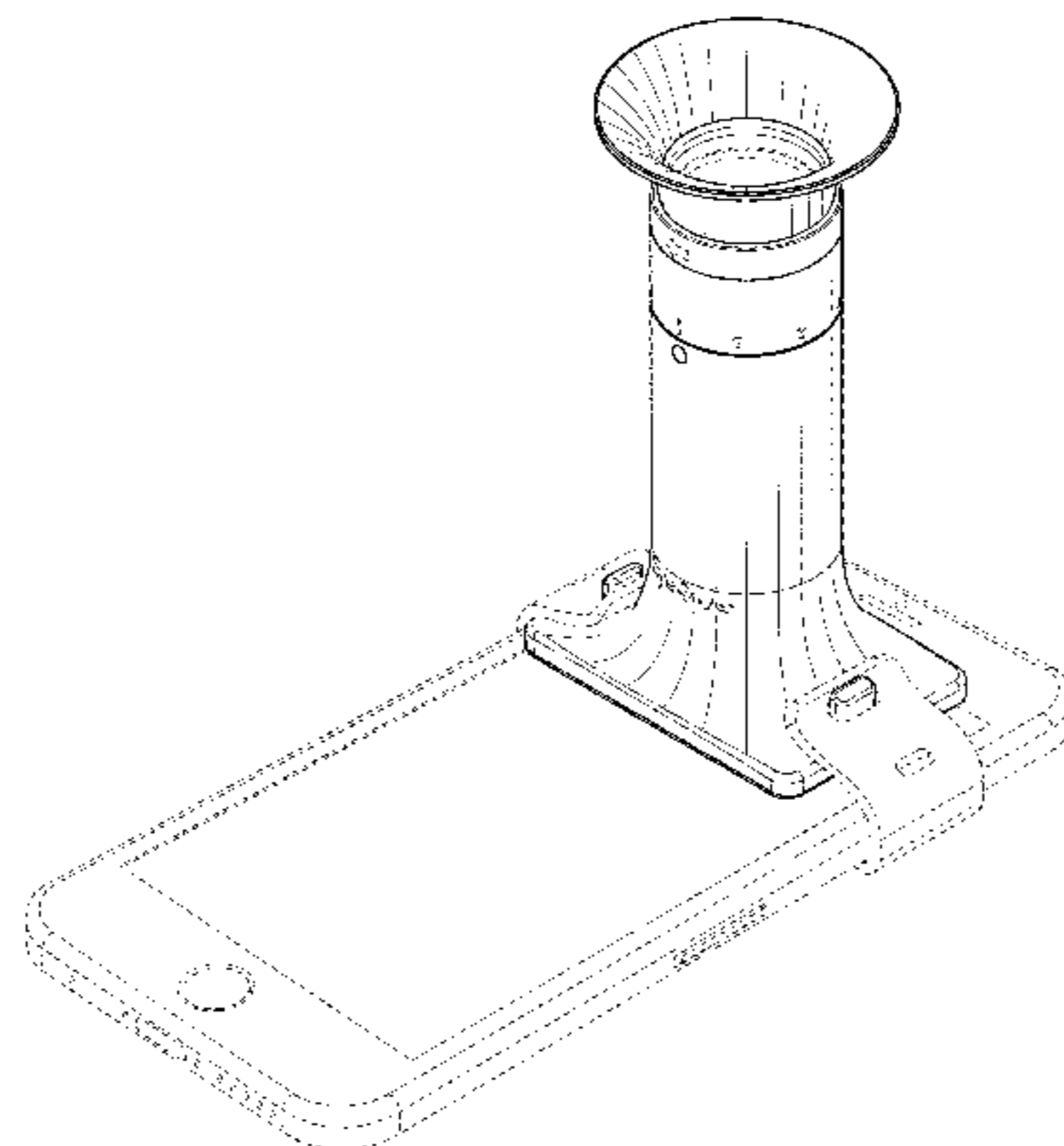
(57) **CLAIM**

The ornamental design for a monocular optical system for refractive error measurements, as shown and described.

DESCRIPTION

FIG. 1 is a top and side perspective view of a monocular optical system for refractive error measurements showing a new design; the dotted lines showing a strap and smart phone illustrate environmental conditions only and form no part of the claimed design; the broken circular lines illustrate environmental conditions only and form no part of the claimed design;
FIG. 2 is a front view thereof;
FIG. 3 is a back view thereof;
FIG. 4 is a right side view thereof;
FIG. 5 is a left side view thereof;
FIG. 6 is a top view thereof; the alignment rectangle drawn in dotted lines illustrates environmental conditions only and forms no part of the claimed design; the broken circular lines illustrate environmental conditions only and form no part of the claimed design;
FIG. 7 is a bottom view thereof; and,
FIG. 8 is a bottom front perspective view thereof.
The dotted lines depicting the word “EyeQue” of FIGS. 1, 2, 3 and 4 illustrate environmental conditions only and form no part of the claimed design.

1 Claim, 5 Drawing Sheets



(56)

References Cited

U.S. PATENT DOCUMENTS

2012/0157782 A1* 6/2012 Alfieri A61B 17/3423
600/208

* cited by examiner

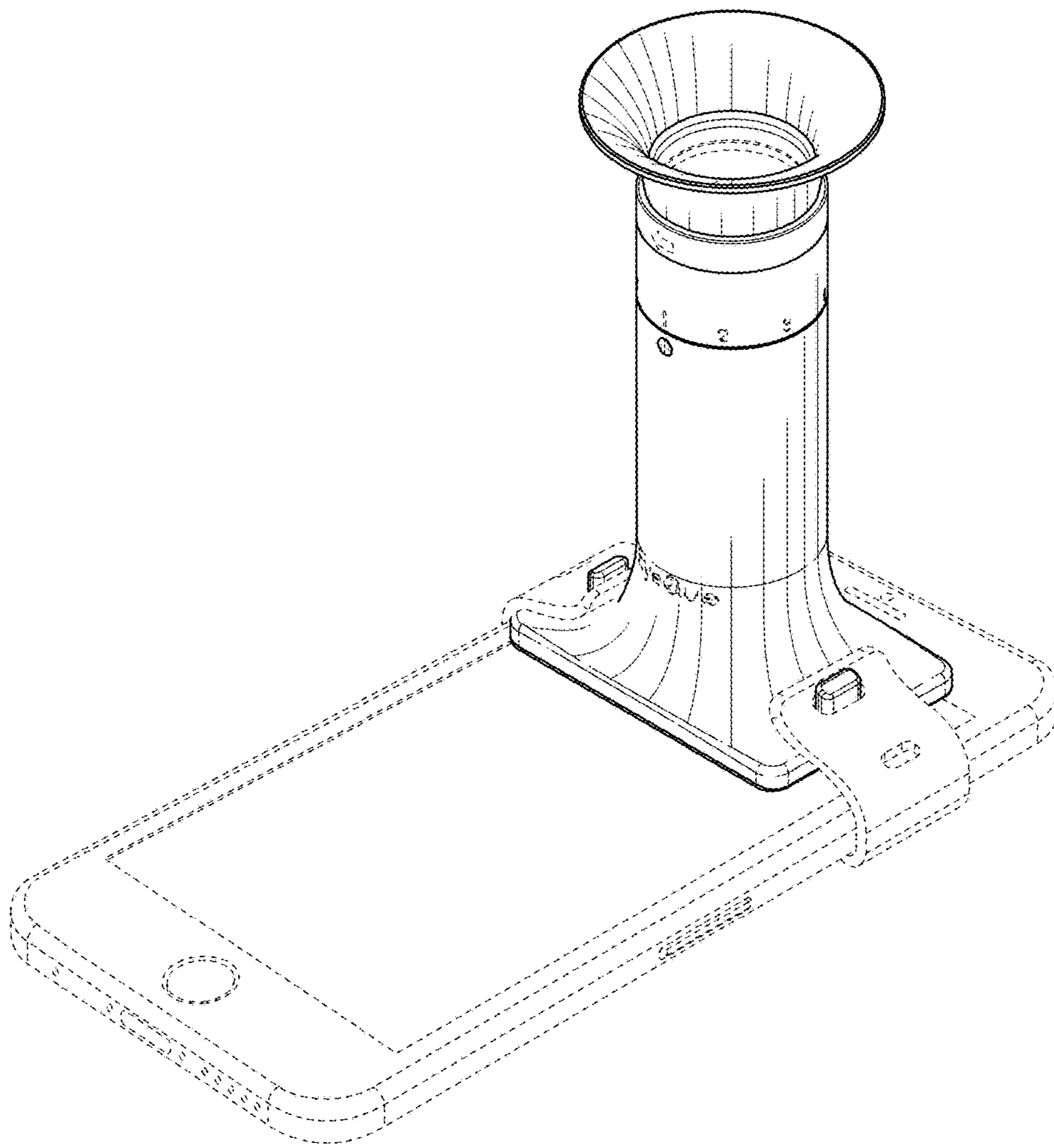


FIG. 1

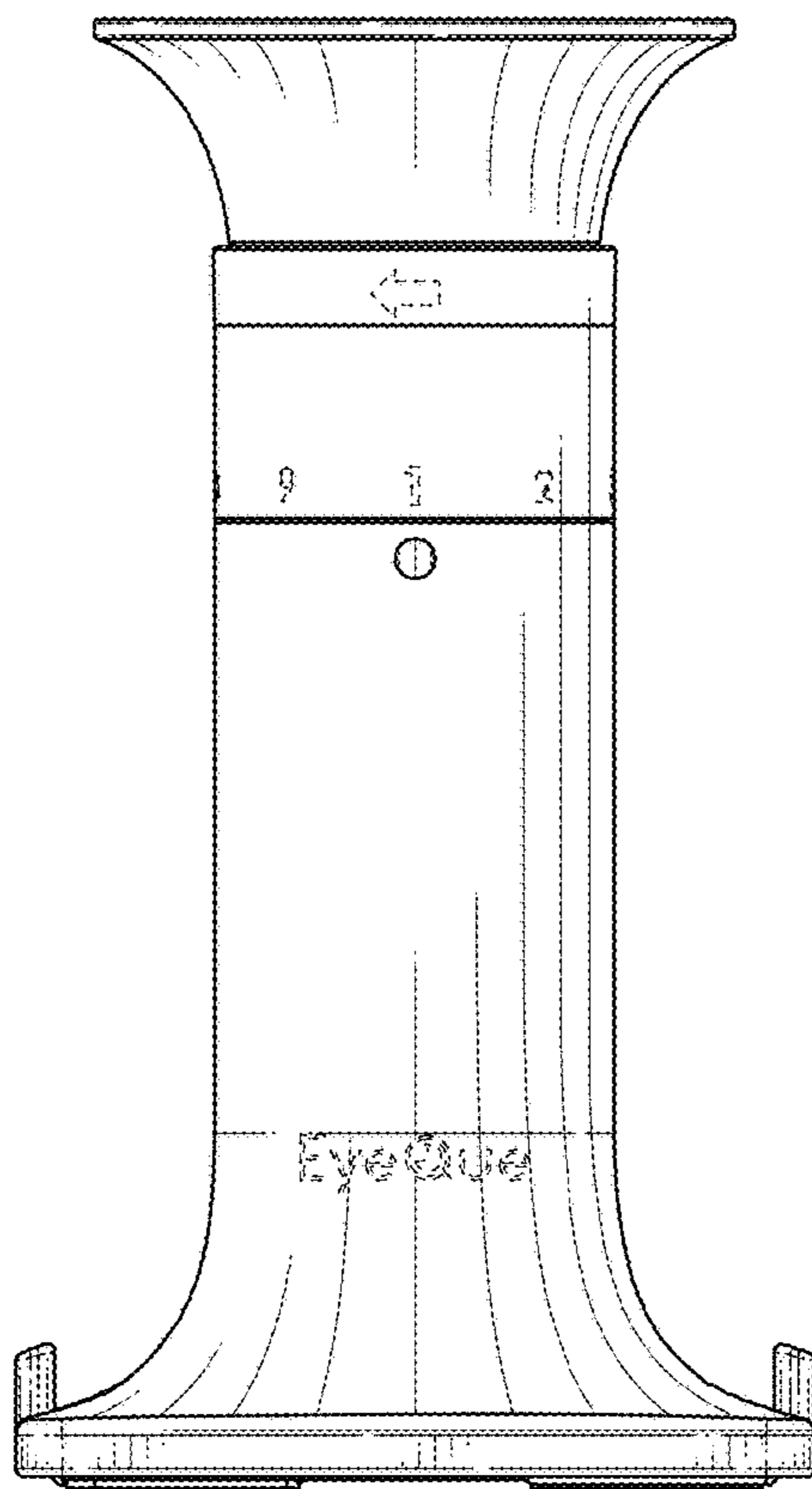


FIG. 2

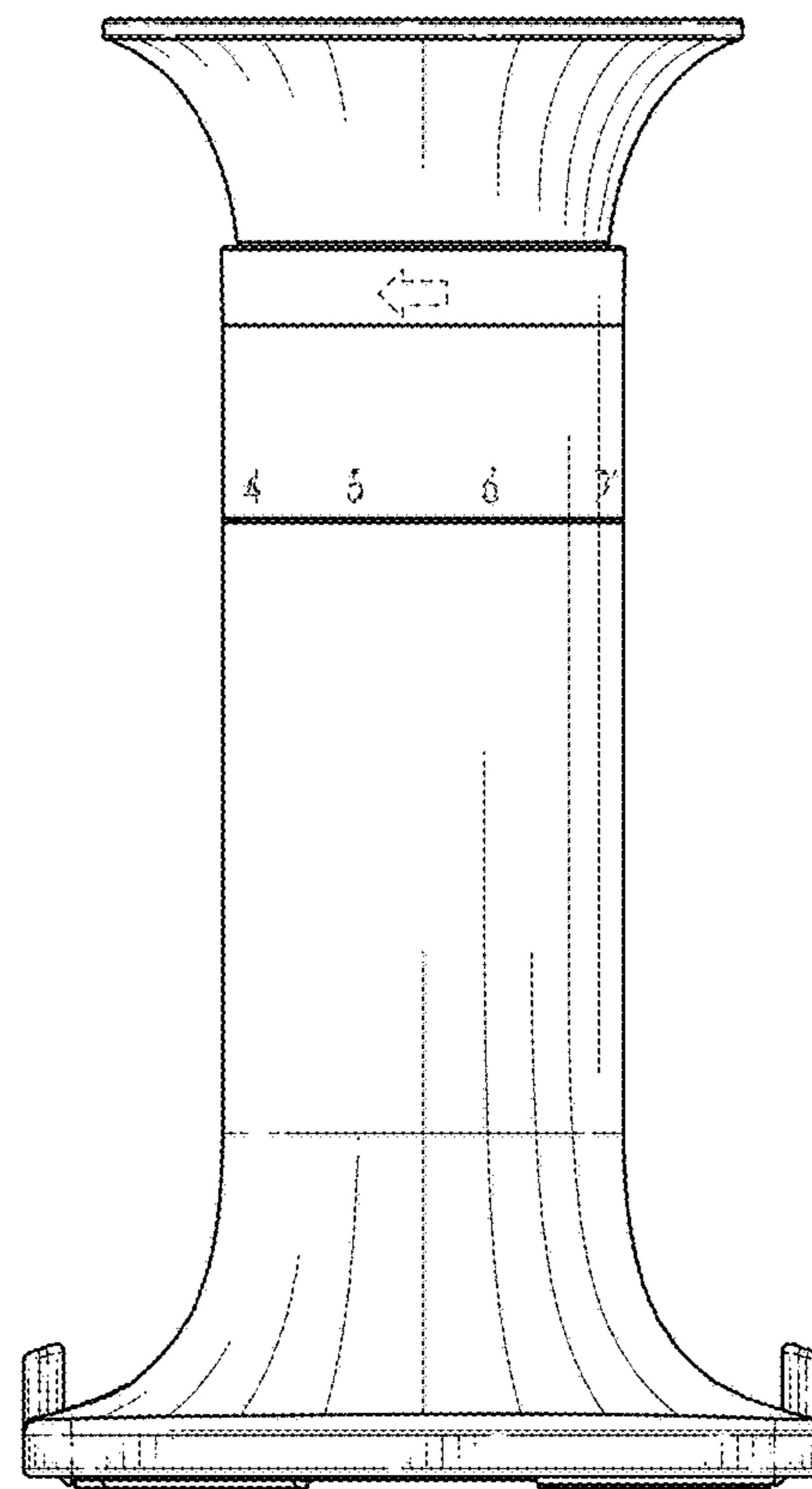


FIG. 3

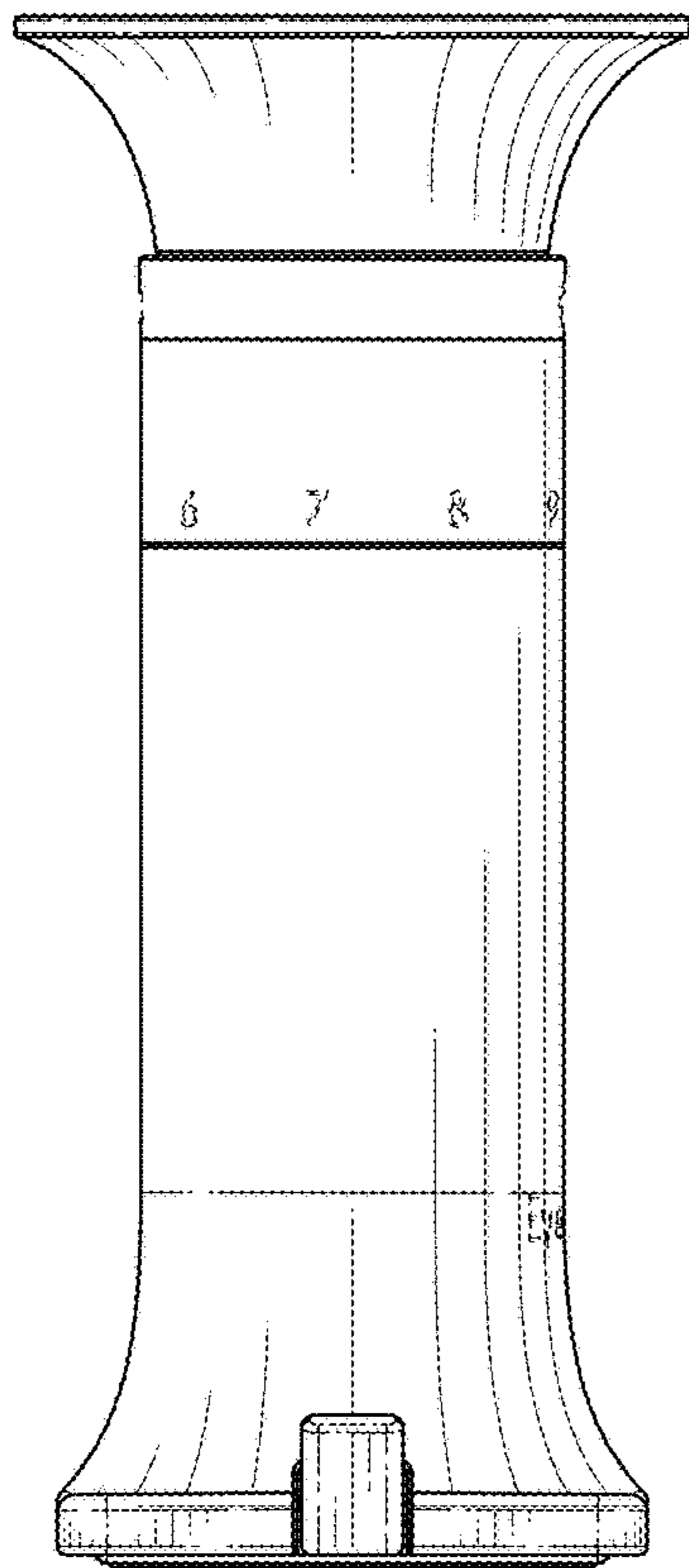


FIG. 4

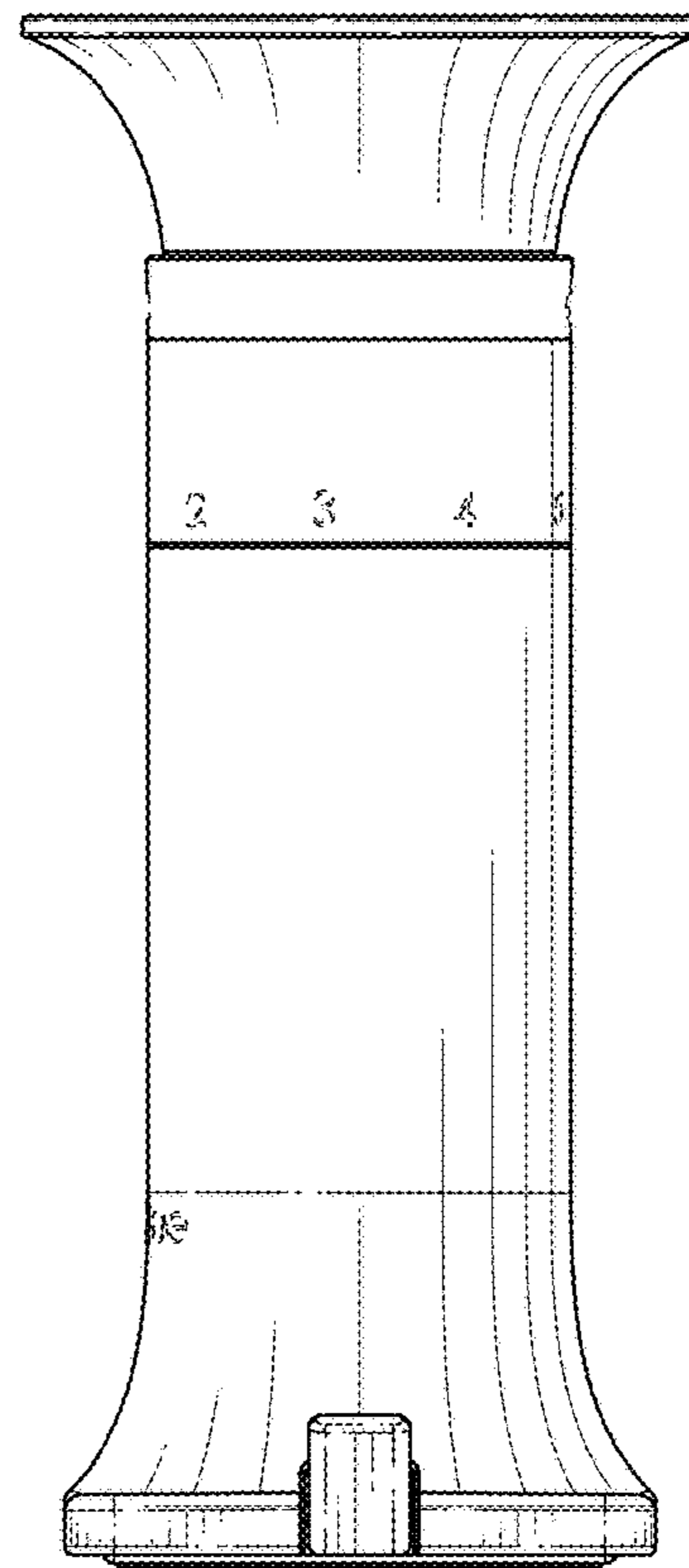


FIG. 5

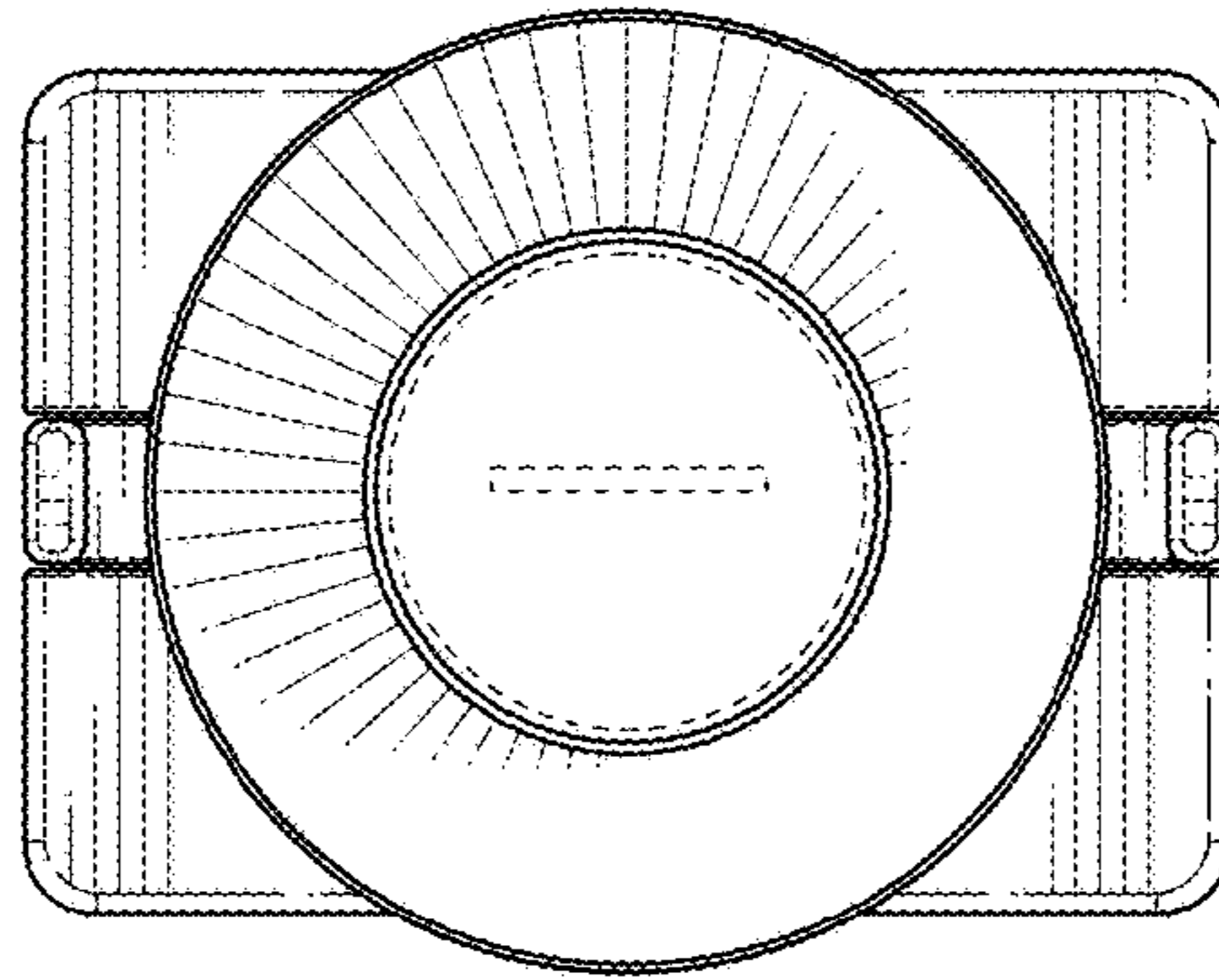


FIG. 6

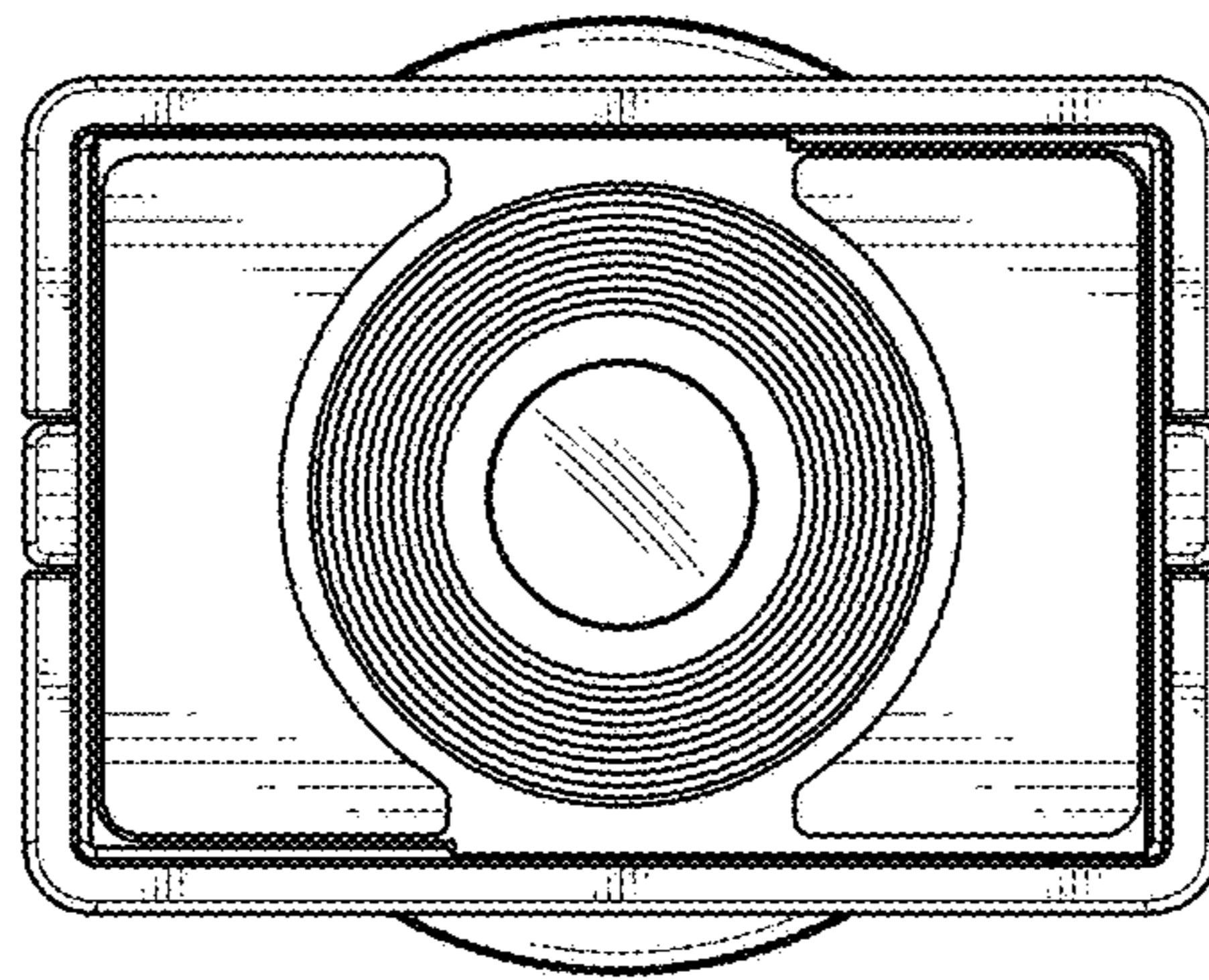


FIG. 7

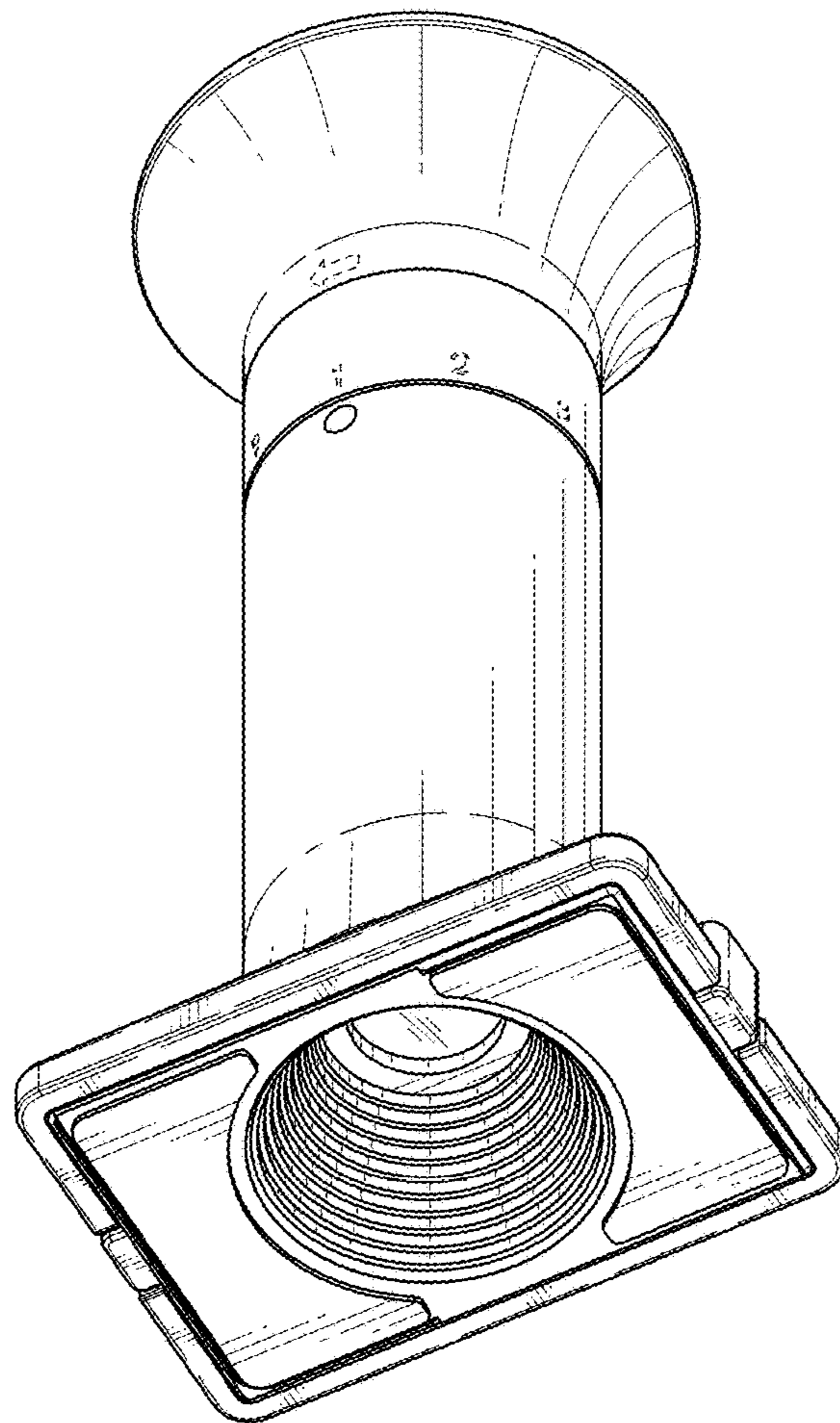


FIG. 8