



US00D852250S

(12) **United States Design Patent**
Nabeiro

(10) **Patent No.:** **US D852,250 S**
(45) **Date of Patent:** **** Jun. 25, 2019**

(54) **SEMI-AUTONOMOUS VEHICLE ADAPTED FOR THE DISTRIBUTION OF EDIBLE PRODUCTS**

(71) Applicant: **NOVADELTA-COMÉRCIO E INDÚSTRIA DE CAFÉS S.A**, Lisbon (PT)

(72) Inventor: **Rui Miguel Nabeiro**, Campo Maior (PT)

(73) Assignee: **NOVADELTA-COMÉRCIO E INDÚSTRIA DE CAFÉS S.A**, Lisbon (PT)

(**) Term: **15 Years**

(21) Appl. No.: **29/628,584**

(22) Filed: **Dec. 6, 2017**

(30) **Foreign Application Priority Data**

Oct. 18, 2017 (EM) 004411551-0001

(51) **LOC (11) Cl.** **15-99**

(52) **U.S. Cl.**
USPC **D15/199**

(58) **Field of Classification Search**
USPC D12/91; D15/199; D24/18, 28, 34; D34/16
CPC G01S 19/13; G05D 1/0274; G05D 1/0214; G05D 2201/0208; G08G 1/166
See application file for complete search history.

(56) **References Cited**

U.S. PATENT DOCUMENTS

4,496,274 A * 1/1985 Pipes B60L 11/1877 104/34
D295,105 S * 4/1988 Dawson D34/18

D799,575 S * 10/2017 Tang D15/199
D802,040 S * 11/2017 Canoso D15/199
D810,167 S * 2/2018 Yang D15/199
D811,458 S * 2/2018 Wang D15/199
D814,542 S * 4/2018 Iijima D15/199
D817,375 S * 5/2018 Deyle D15/199
D819,711 S * 6/2018 Li D15/199
D819,712 S * 6/2018 Gee D15/199
D820,334 S * 6/2018 Lee D15/199
D824,976 S * 8/2018 Makela D15/199
2011/0135189 A1 * 6/2011 Lee B25J 9/1682 382/153
2014/0350725 A1 * 11/2014 LaFary G06N 3/008 700/253
2015/0088359 A1 * 3/2015 Choi G05D 1/0225 701/23

* cited by examiner

Primary Examiner — Patricia A Palasik

(74) *Attorney, Agent, or Firm* — Sughrue Mion, PLLC

(57) **CLAIM**

The ornamental design for a semi-autonomous vehicle adapted for the distribution of edible products, as shown and described.

DESCRIPTION

FIG. 1 is a top-down perspective view of a semi-autonomous vehicle adapted for the distribution of edible products, which is the subject of my invention;
FIG. 2 is a bottom-up perspective view thereof;
FIG. 3 is a top plan view thereof;
FIG. 4 is a bottom plan view thereof;
FIG. 5 is front elevation view thereof;
FIG. 6 is a rear elevation view thereof; and,
FIG. 7 is a right side elevation view thereof.

1 Claim, 7 Drawing Sheets

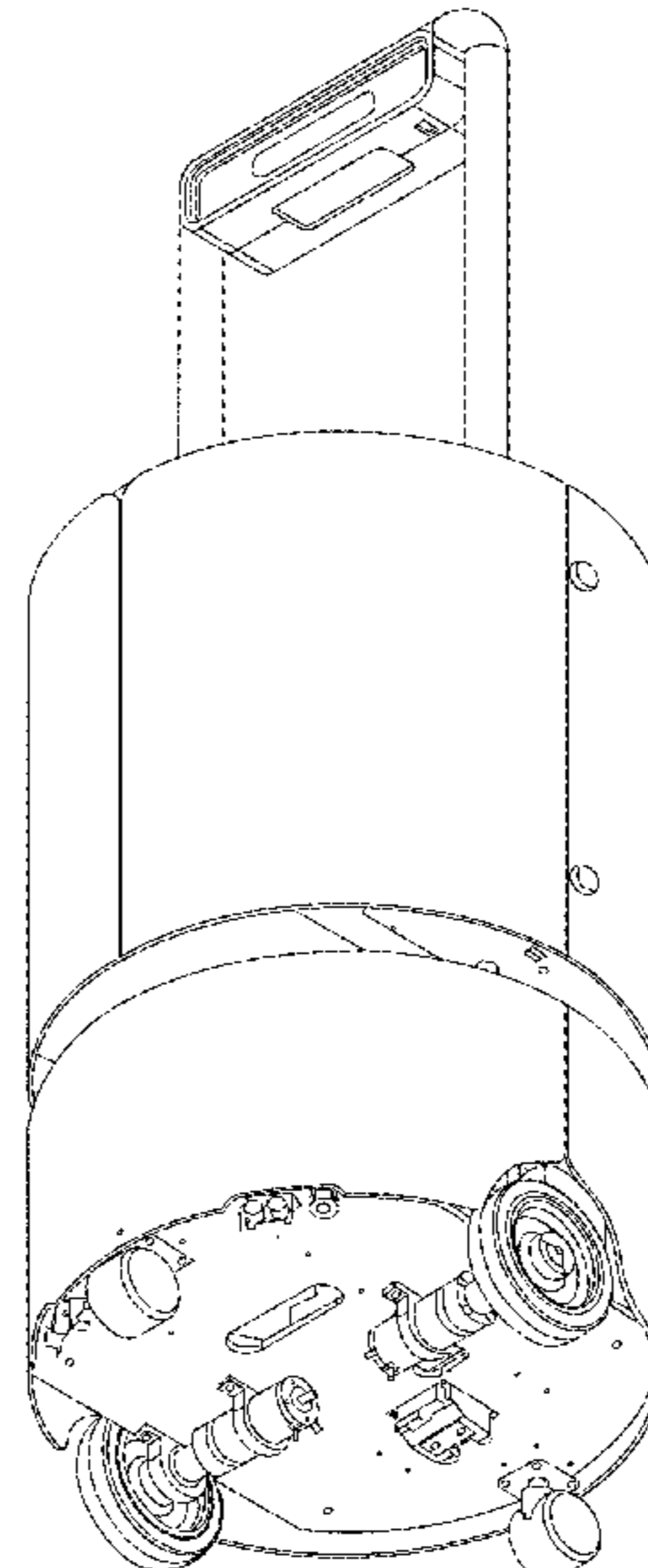
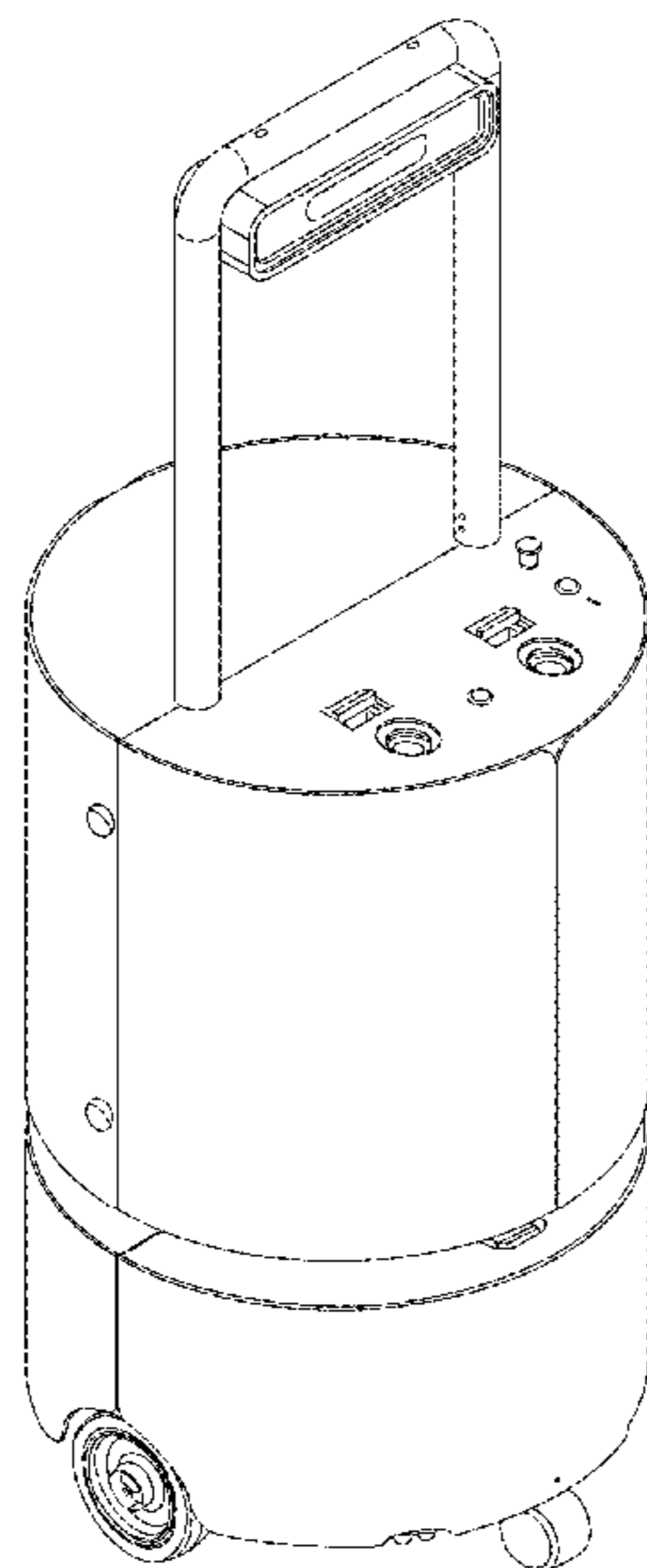


FIG. 1

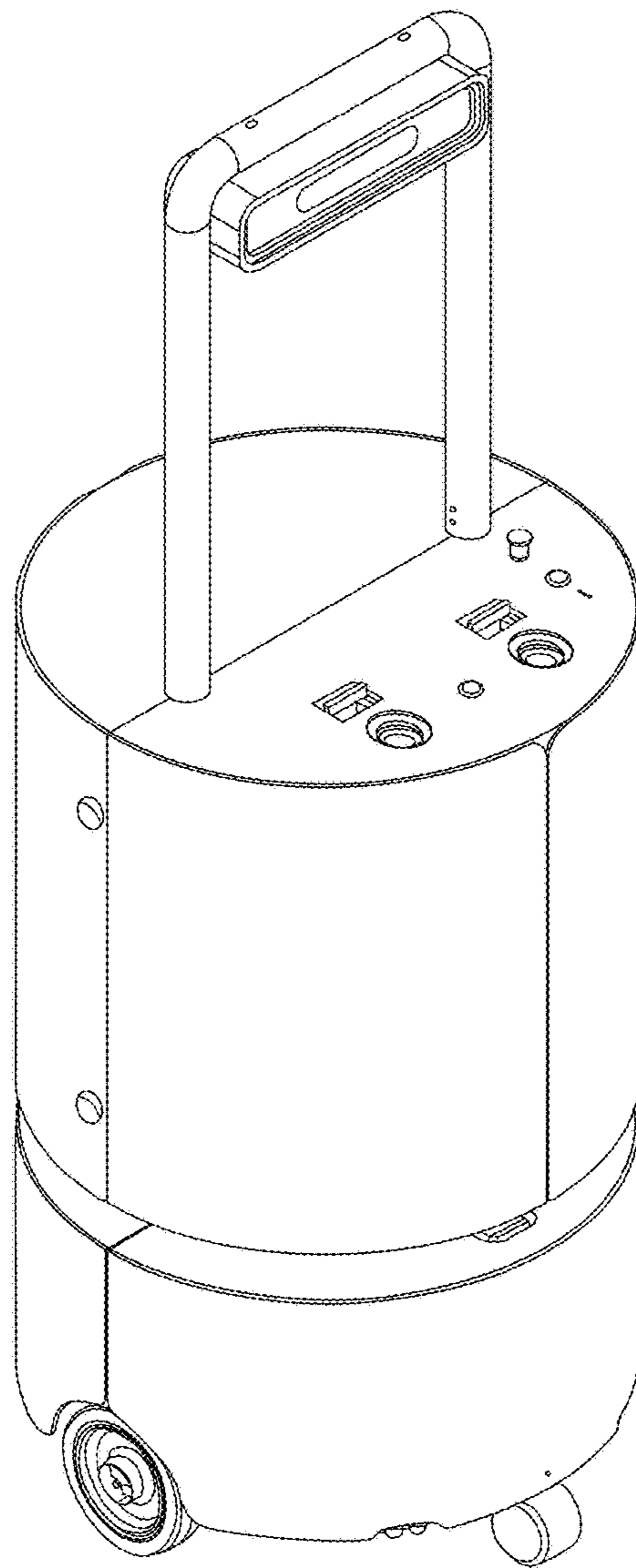


FIG. 2

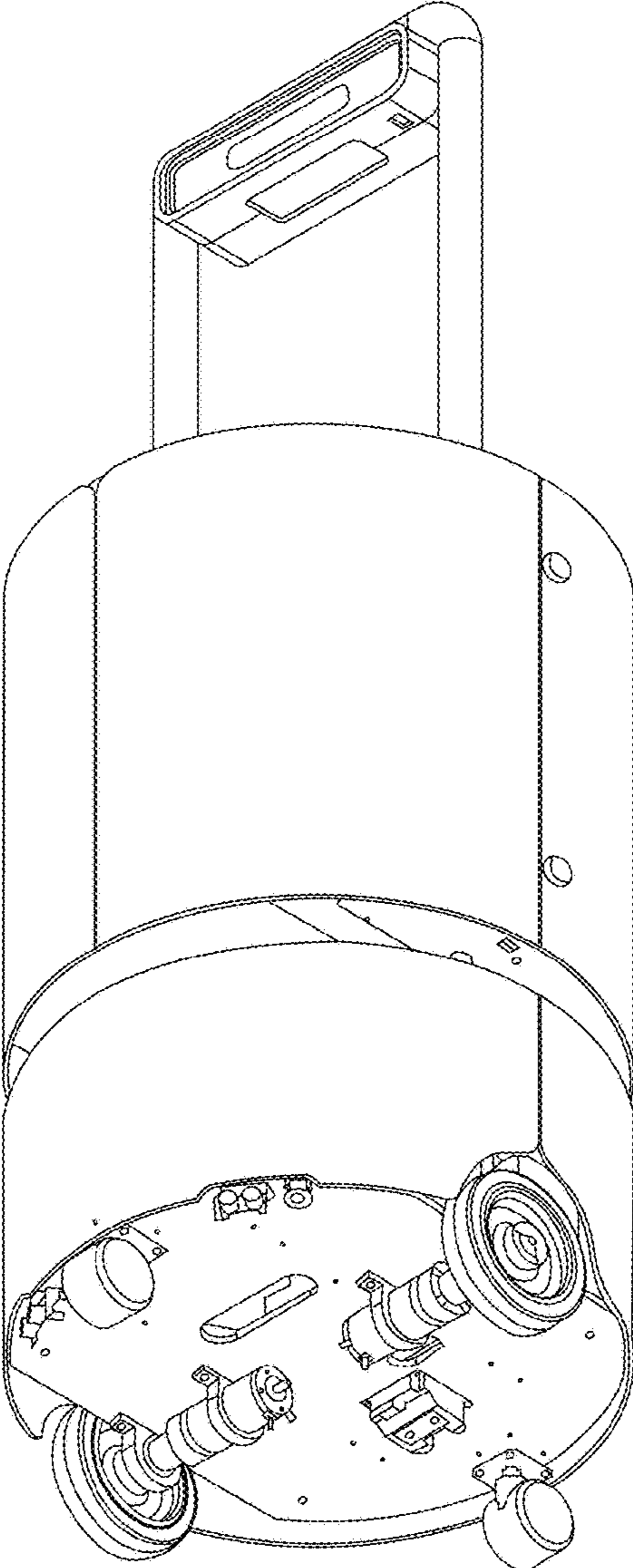


FIG. 3

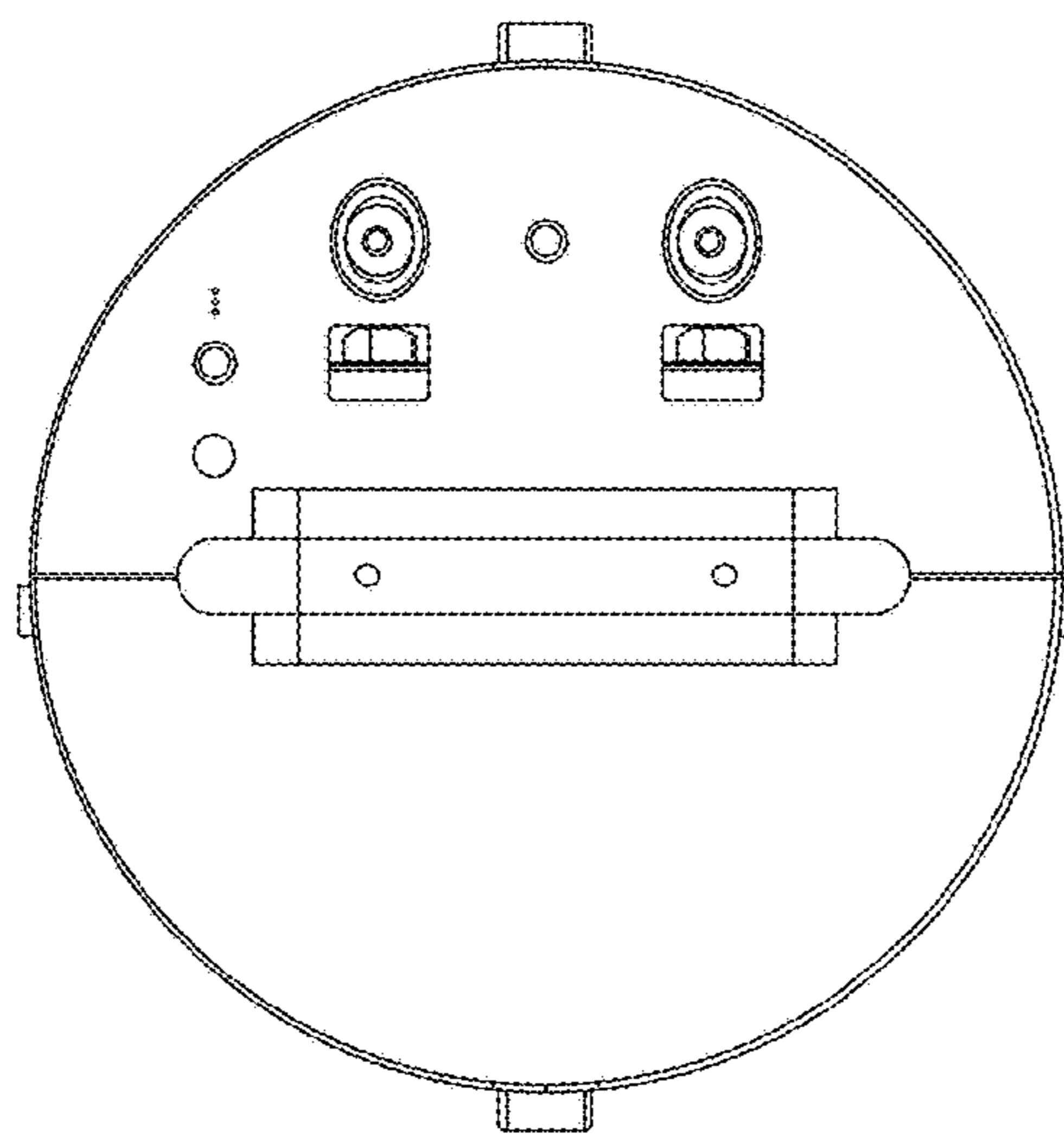


FIG. 4

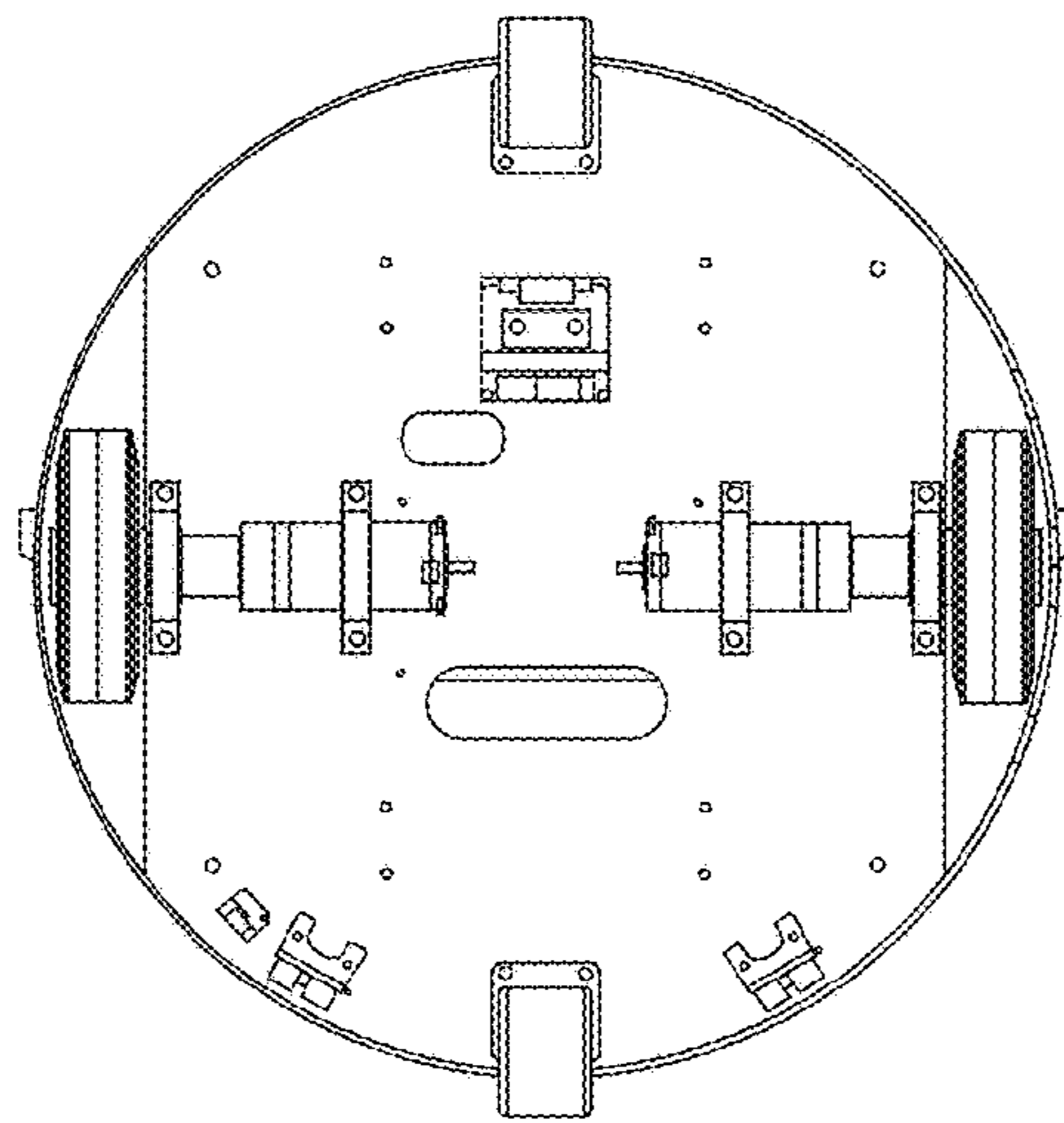


FIG. 5

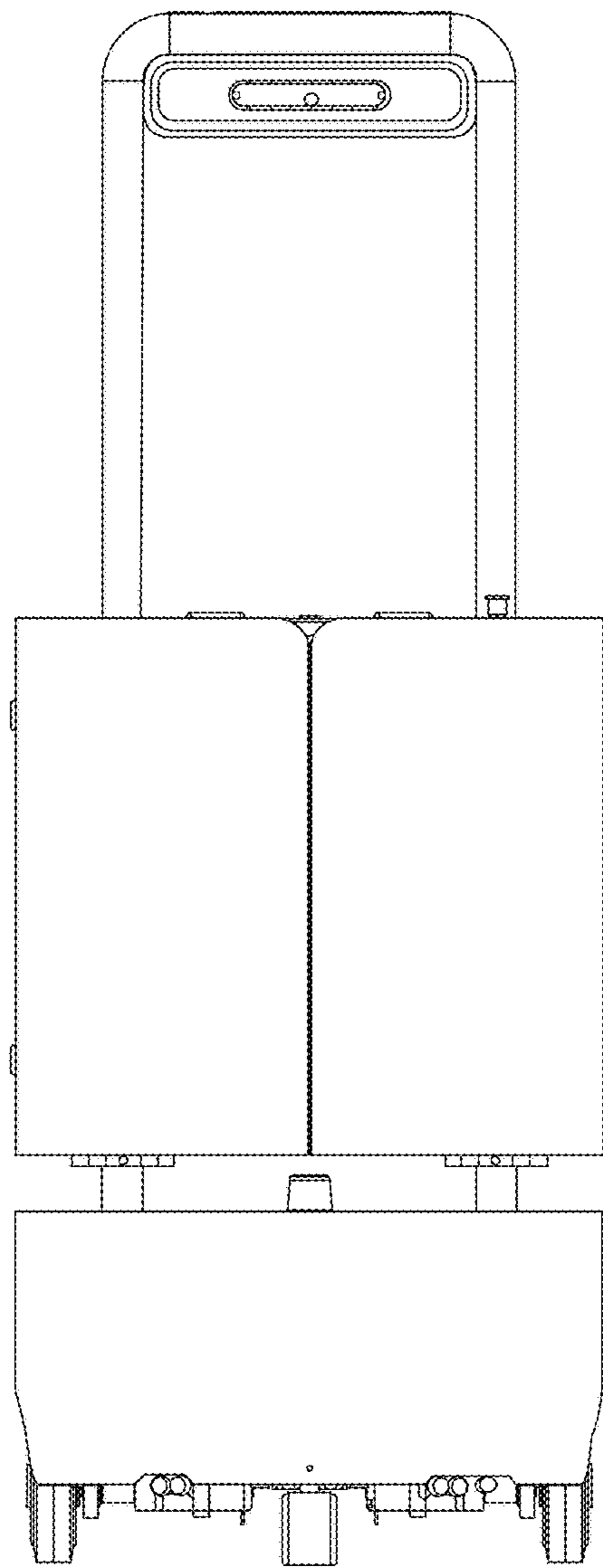


FIG. 6

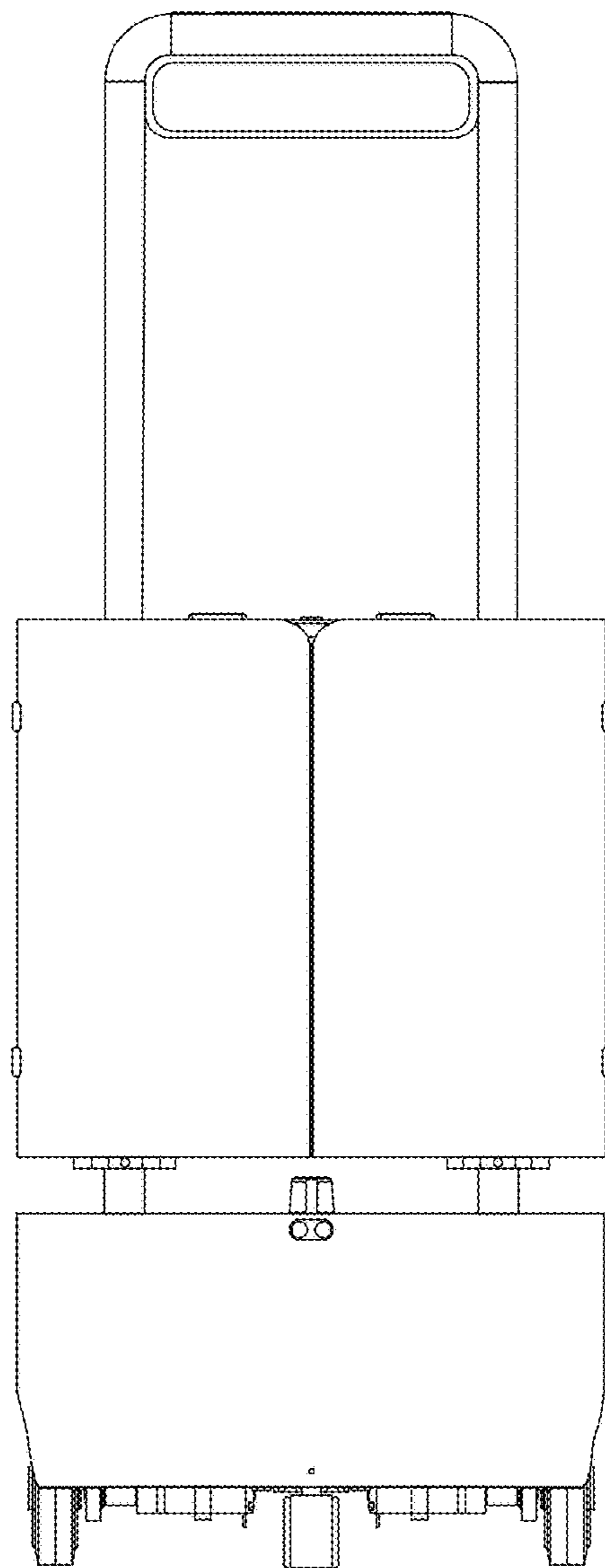


FIG. 7

