



US00D852249S

(12) **United States Design Patent**
Uzuka

(10) **Patent No.:** **US D852,249 S**
(45) **Date of Patent:** **** Jun. 25, 2019**

(54) **REDUCTION GEAR**
(71) Applicant: **TOK, INC.**, Itabashi-ku, Tokyo (JP)
(72) Inventor: **Kazuo Uzuka**, Tokyo (JP)
(73) Assignee: **TOK, INC.**, Itabashi-ku, Tokyo (JP)
(**) Term: **15 Years**

6,073,517 A * 6/2000 Pauwels F04C 29/005
123/195 R
7,465,248 B2 * 12/2008 Katoh F16H 35/10
475/264
D598,938 S * 8/2009 Mijno D15/148
D682,902 S * 5/2013 Tanaka D15/149
9,103,967 B2 * 8/2015 Iikawa G02B 7/08
D753,743 S * 4/2016 Takahashi D15/149
D753,744 S * 4/2016 Takahashi D15/149
D797,828 S * 9/2017 Nakamura D15/149

(21) Appl. No.: **35/503,449**

(22) Filed: **Jan. 31, 2017**

(80) **Hague Agreement Data**

Int. Filing Date: **Jan. 31, 2017**
Int. Reg. No.: **DM/096478**
Int. Reg. Date: **Jan. 31, 2017**
Int. Reg. Pub. Date: **Aug. 4, 2017**

(51) **LOC (11) Cl.** **15-01**

(52) **U.S. Cl.**
USPC **D15/149**
CPC **F16H 35/10** (2013.01)

(58) **Field of Classification Search**
USPC D8/17, 21, 25, 29; D15/148, 149
CPC F16H 35/10
See application file for complete search history.

(56) **References Cited**

U.S. PATENT DOCUMENTS

D202,930 S * 11/1965 Burke D15/149
D205,312 S * 7/1966 Musgrave D15/149
3,299,741 A * 1/1967 Twiford F16H 3/722
475/102
D292,804 S * 11/1987 Edwards D15/149
D382,573 S * 8/1997 Avitan D15/149

FOREIGN PATENT DOCUMENTS

JP 2004324878 A * 11/2004
JP 2007040396 A * 2/2007
JP 2007170547 A * 7/2007
JP 2011141035 A * 7/2011

* cited by examiner

Primary Examiner — Richard E Chilcot
(74) *Attorney, Agent, or Firm* — Flynn Thiel, P.C.

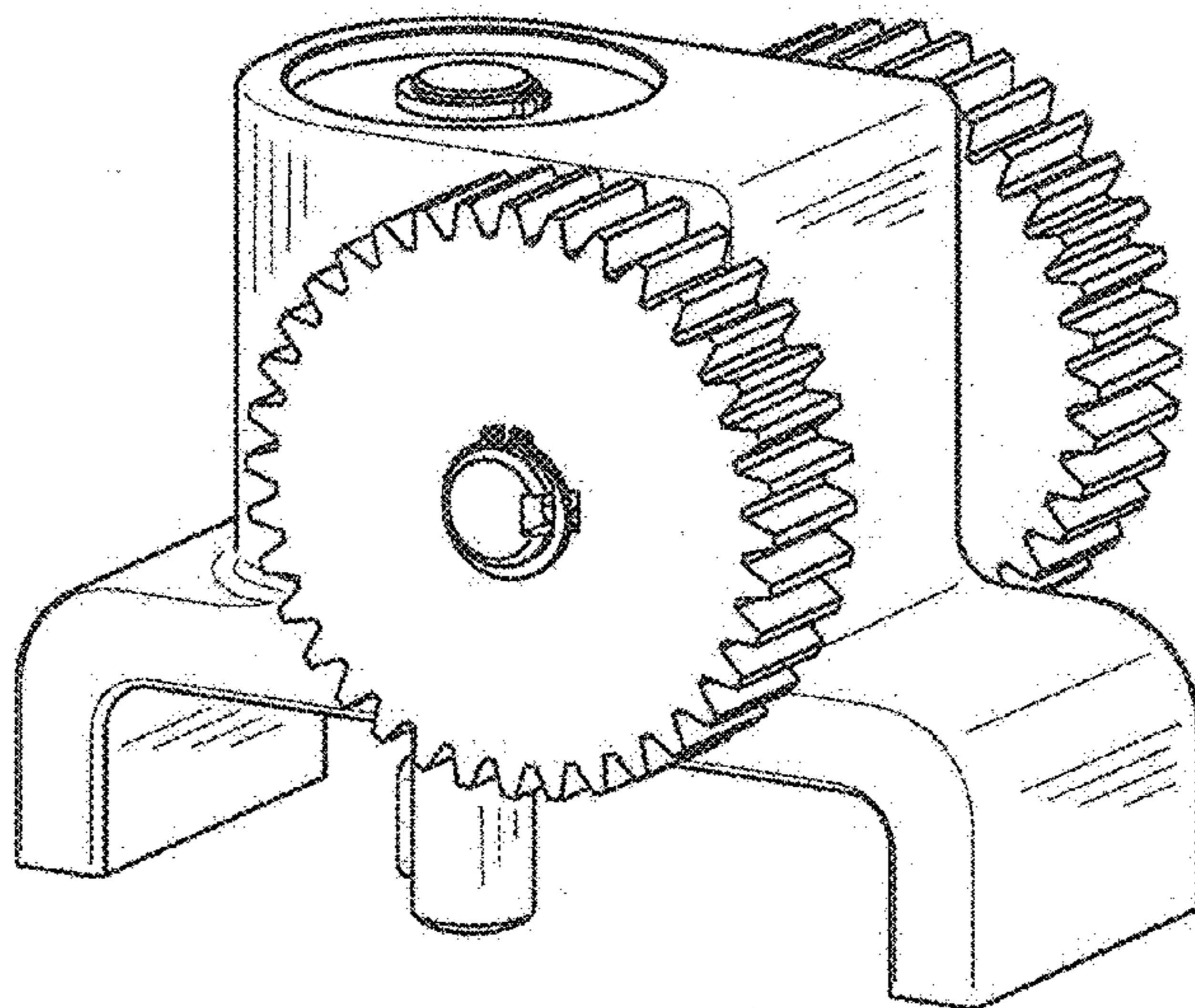
(57) **CLAIM**

The ornamental design for a reduction gear, as shown and described.

DESCRIPTION

1. Reduction gear
FIG. 1.1 is a first perspective view of a reduction gear showing my new design;
FIG. 1.2 is a second perspective view thereof;
FIG. 1.3 is a top view thereof;
FIG. 1.4 is a front view thereof;
FIG. 1.5 is a bottom view thereof;
FIG. 1.6 is a back view thereof;
FIG. 1.7 is a left side view thereof; and
FIG. 1.8 is a right side view thereof.

1 Claim, 8 Drawing Sheets



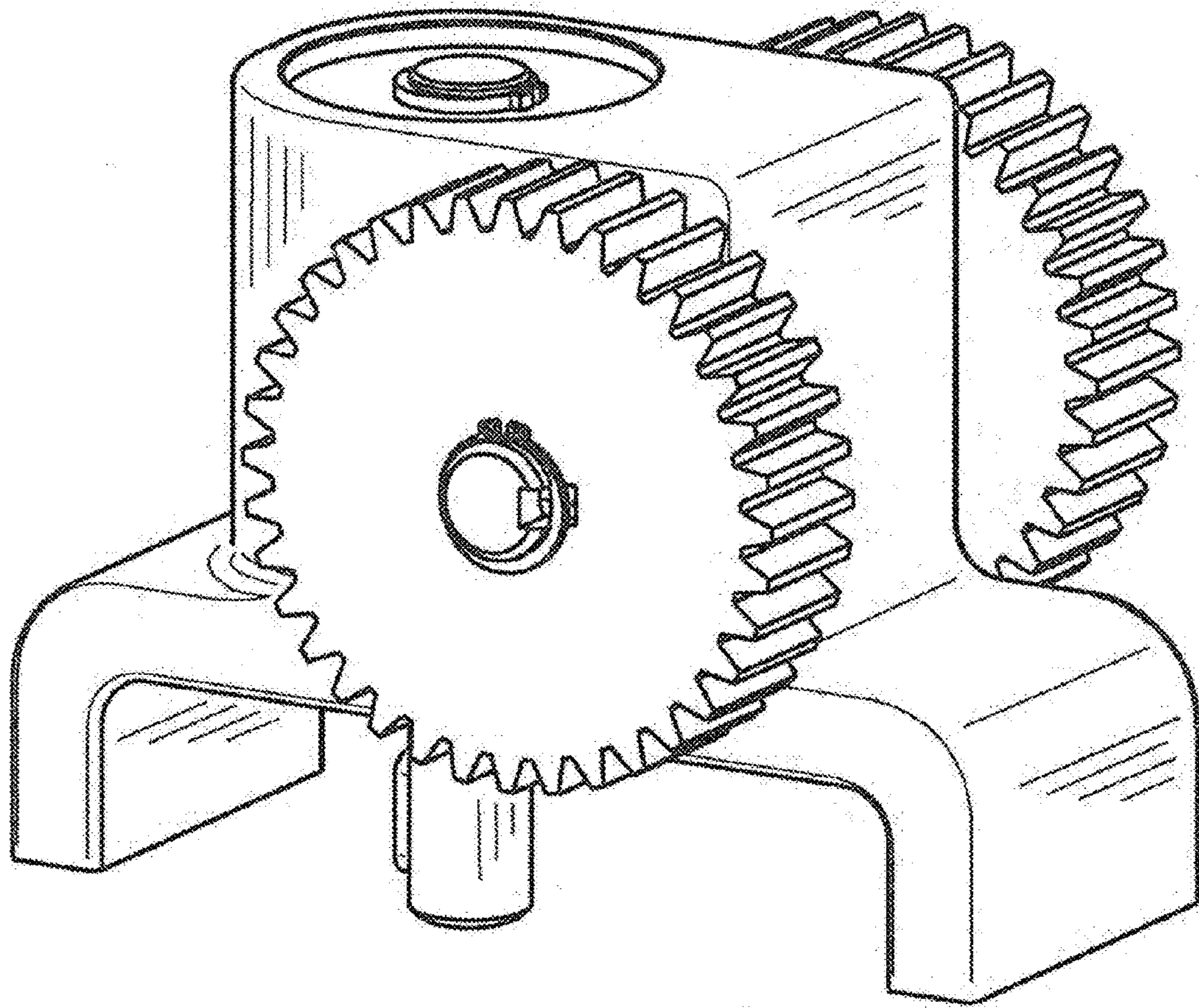


Fig. 1.1

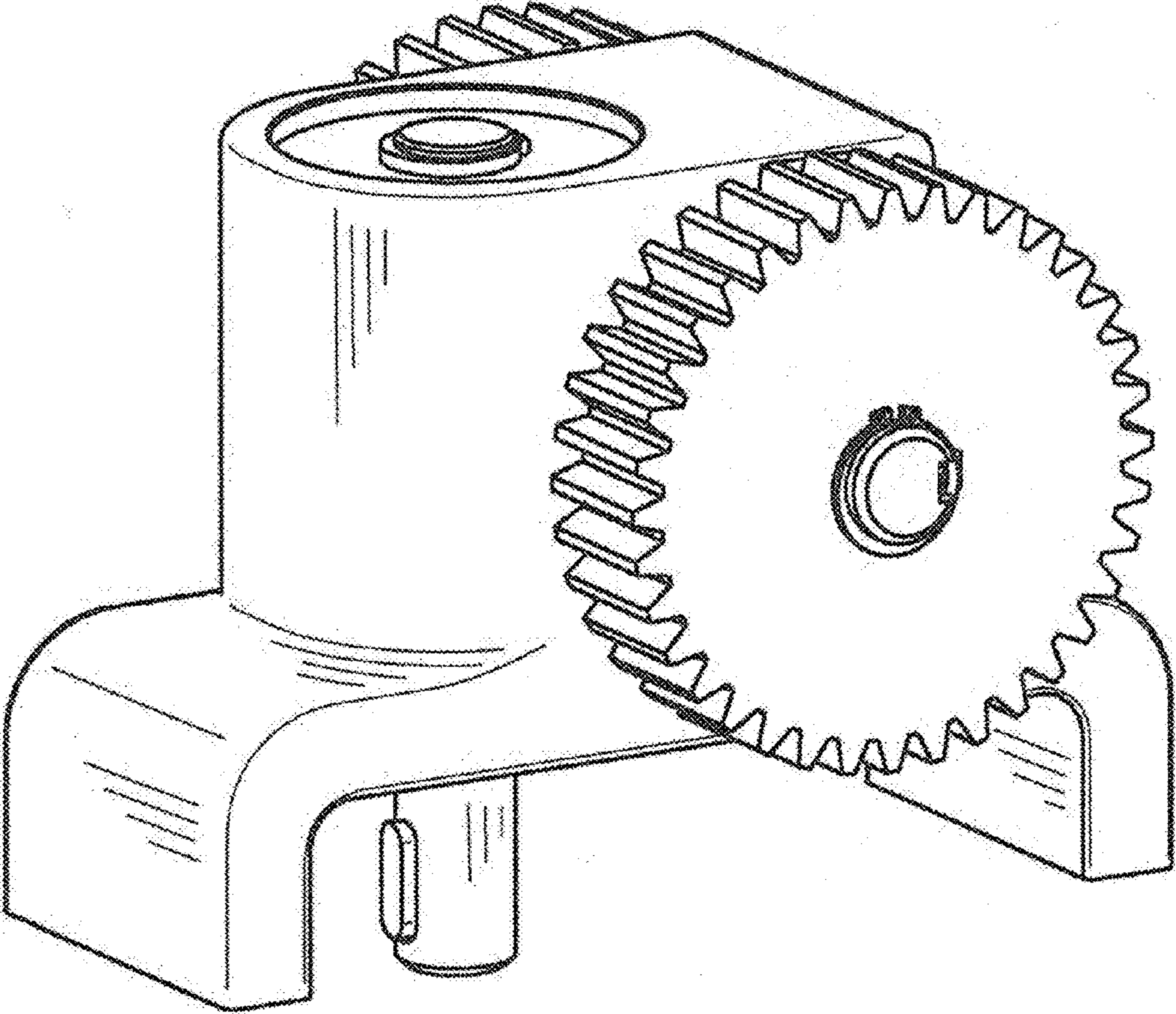


Fig. 1.2

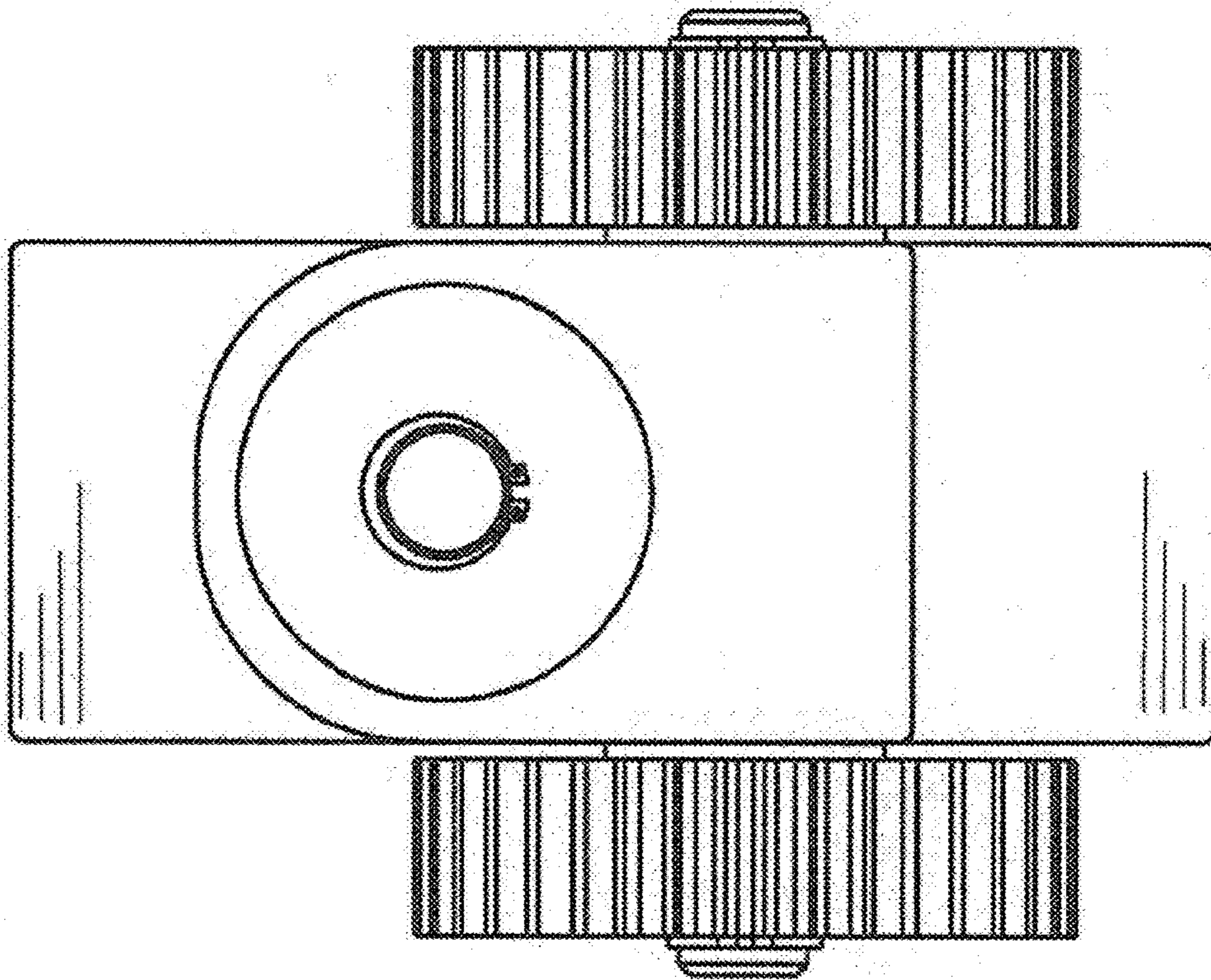


Fig. 1.3

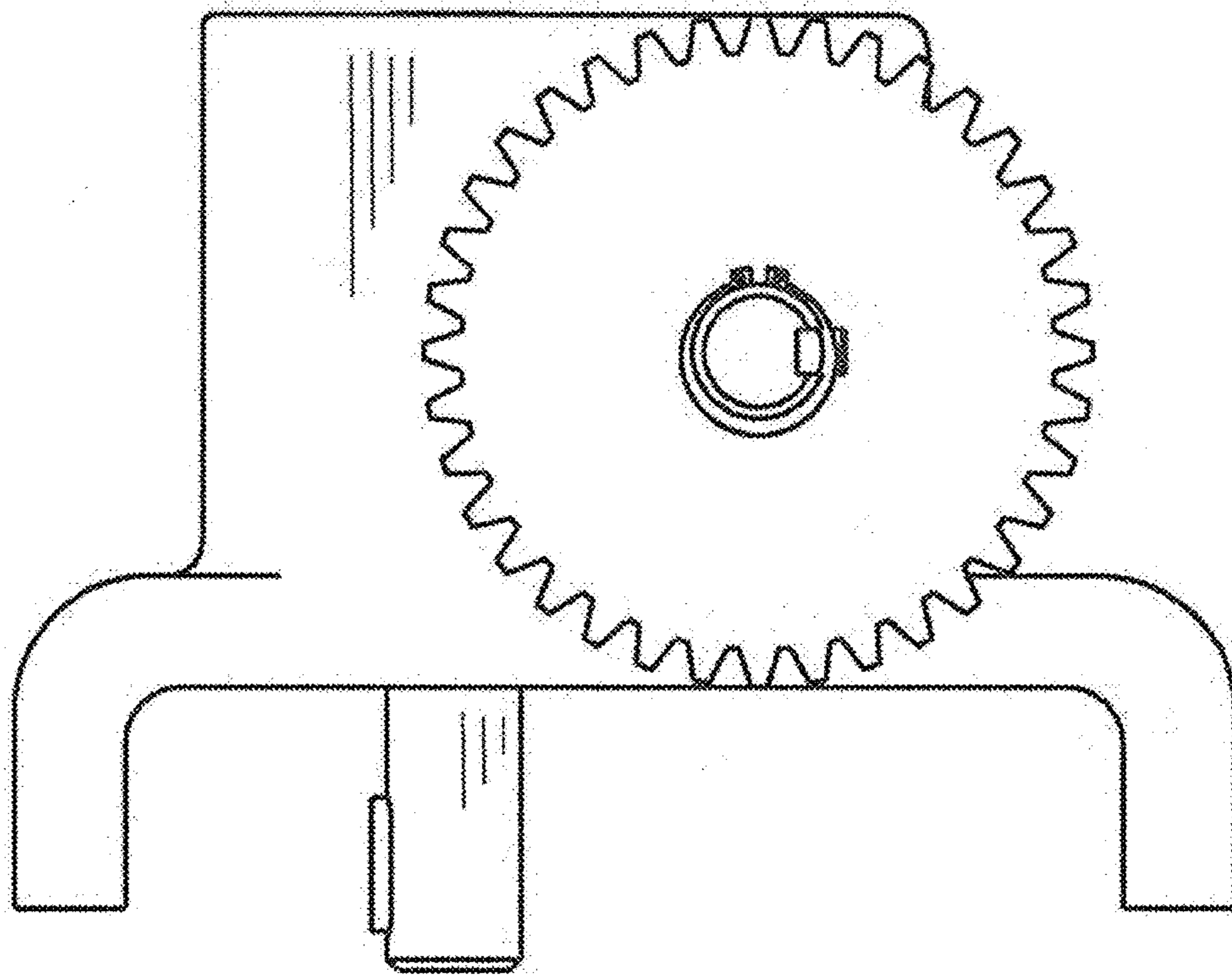


Fig. 1.4

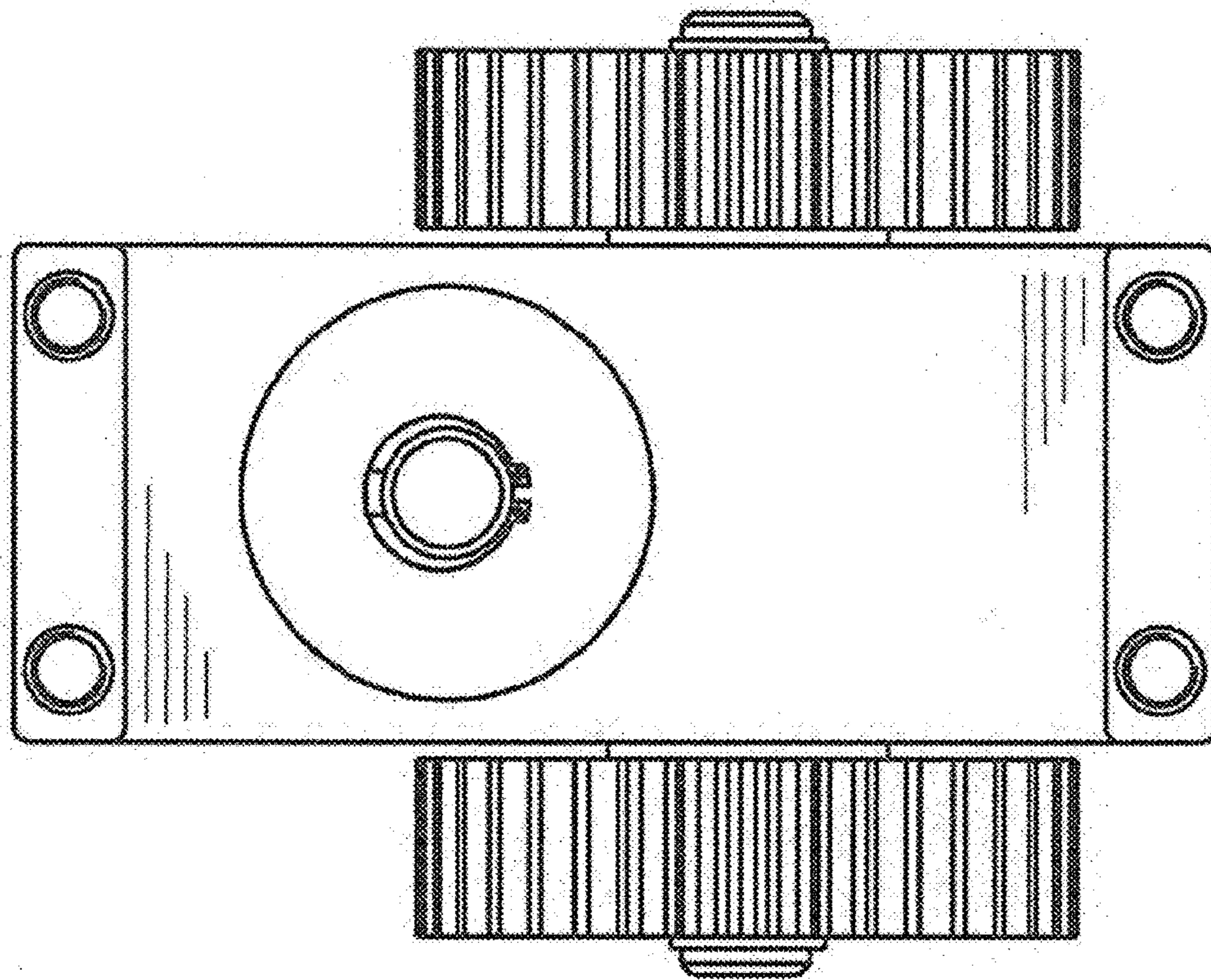


Fig. 1.5

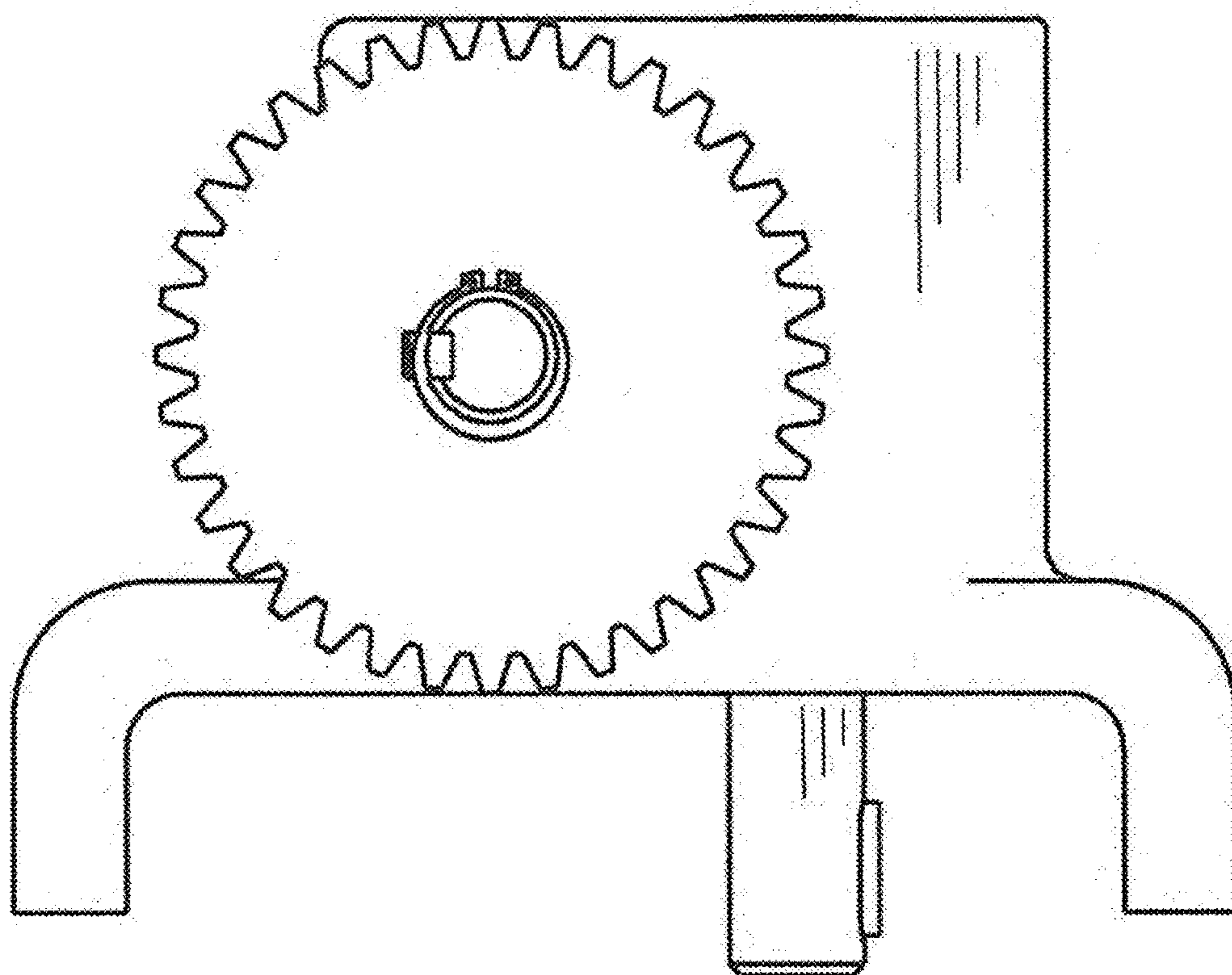


Fig. 1.6

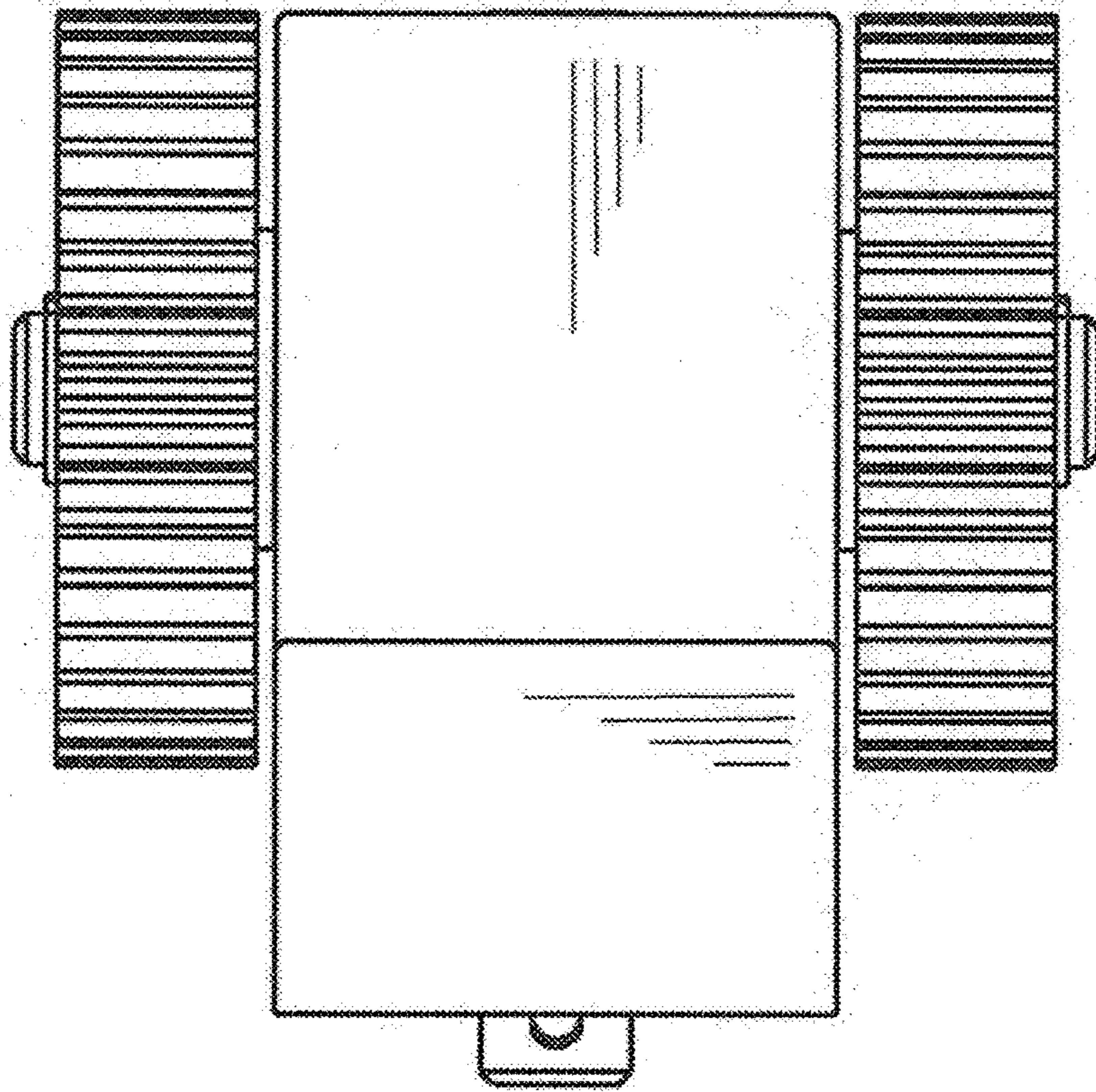


Fig. 1.7

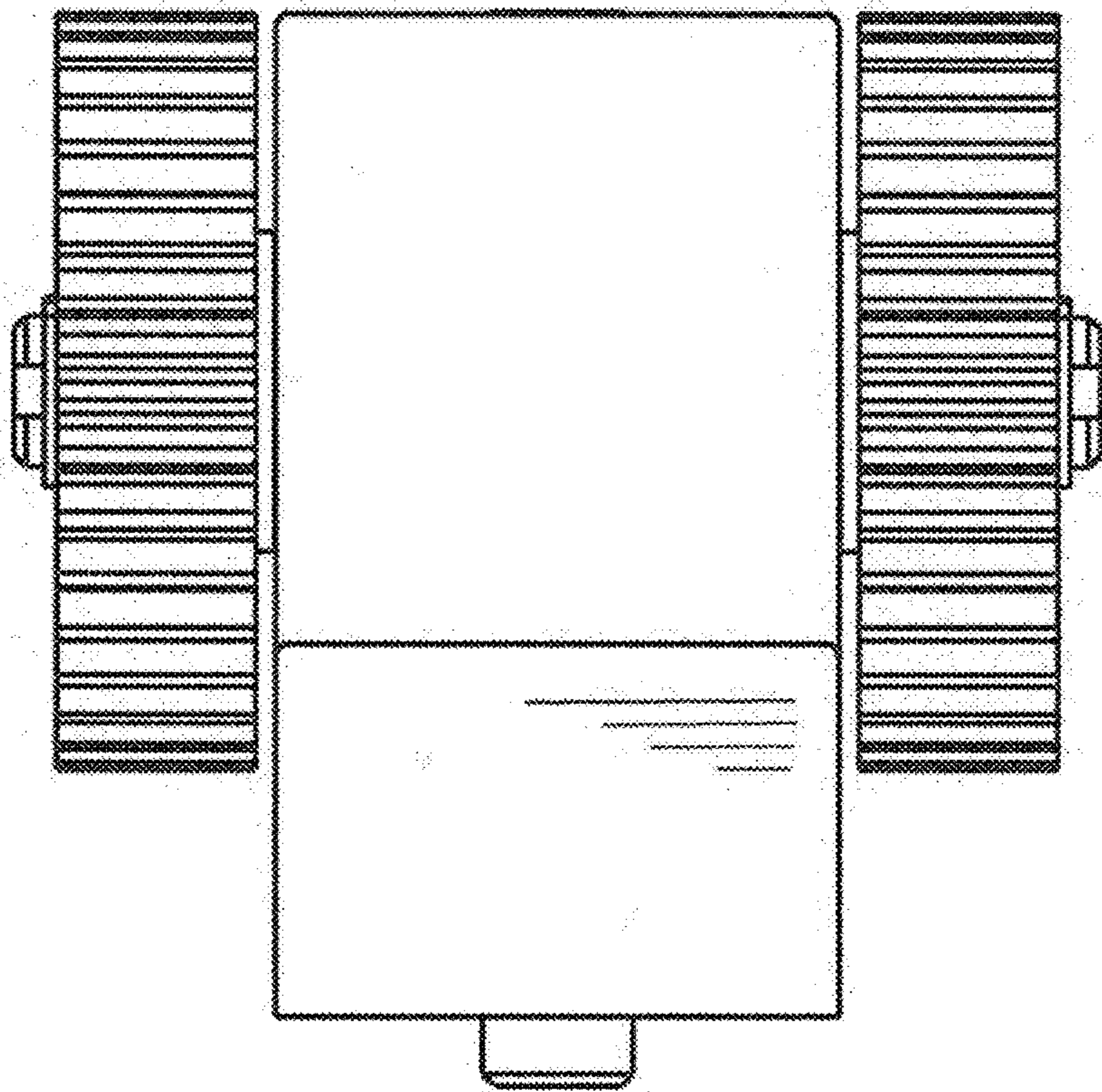


Fig. 1.8