



US00D852246S

(12) **United States Design Patent**
Kobayashi et al.

(10) **Patent No.:** **US D852,246 S**
(45) **Date of Patent:** **** Jun. 25, 2019**

- (54) **CUTTING INSERT**
- (71) Applicant: **Mitsubishi Hitachi Tool Engineering, Ltd., Tokyo (JP)**
- (72) Inventors: **Yoshiyuki Kobayashi, Chiba (JP); Hayato Takahashi, Chiba (JP); Shoujirou Tsuma, Chiba (JP)**
- (73) Assignee: **Mitsubishi Hitachi Tool Engineering, Ltd., Tokyo (JP)**

- 6,249,950 B1 6/2001 Brask et al.
- 6,334,740 B1 1/2002 Qvarth
- D485,852 S 1/2004 Arvidsson
- D487,281 S 3/2004 Roman et al.
- 6,857,831 B2 2/2005 Davis
- 7,168,512 B2 1/2007 Schuffenhauer et al.
- D595,322 S 6/2009 Sakata et al.
- D595,323 S 6/2009 Sakata et al.
- D595,751 S 7/2009 Sakata et al.
- D633,535 S 3/2011 Tanaka et al.
- 8,840,344 B2 9/2014 Stenman
- D735,254 S 7/2015 O'Malley et al.

(Continued)

(**) Term: **15 Years**

(21) Appl. No.: **29/674,333**

(22) Filed: **Dec. 20, 2018**

Related U.S. Application Data

(62) Division of application No. 29/594,205, filed on Feb. 16, 2017.

Foreign Application Priority Data

- Nov. 25, 2016 (JP) 2016-025665
- Nov. 25, 2016 (JP) 2016-025666
- Nov. 25, 2016 (JP) 2016-025667
- Nov. 25, 2016 (JP) 2016-025668
- (51) **LOC (11) Cl.** **15-09**
- (52) **U.S. Cl.**
USPC **D15/139**
- (58) **Field of Classification Search**
USPC D8/20, 70; D15/126, 131, 138, 139, 140
CPC B23C 5/109; B23C 5/207
See application file for complete search history.

(56) **References Cited**

U.S. PATENT DOCUMENTS

- D341,604 S 11/1993 Hessman
- 5,332,338 A 7/1994 Satran et al.
- D387,072 S 12/1997 Ojanen

OTHER PUBLICATIONS

Mechanical Engineering Publication; Publisher The Daily Industrial News (Japan); Reference No. ISSN D451-9396; p. 61; Publication date Feb. 1, 2016.

Primary Examiner — Patricia A Palasik

(74) *Attorney, Agent, or Firm* — Banner & Witcoff, Ltd.

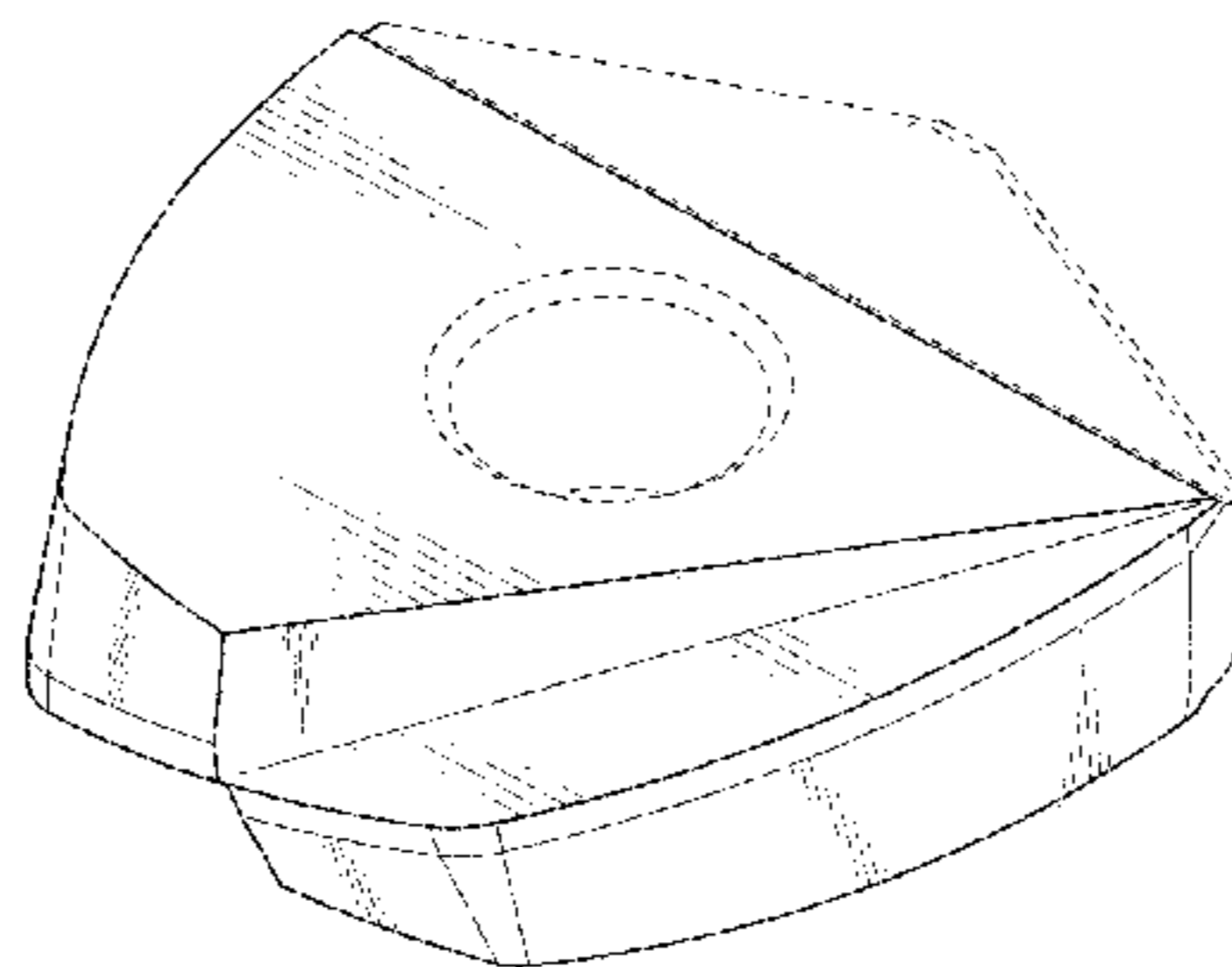
(57) **CLAIM**

The ornamental design for a cutting insert, as shown and described.

DESCRIPTION

FIG. 1 is a perspective view of a cutting insert showing our new design;
FIG. 2 is a perspective view thereof;
FIG. 3 is a perspective view thereof;
FIG. 4 is a perspective view thereof;
FIG. 5 is a front elevation view thereof; the rear elevation view is identical to the front elevation view;
FIG. 6 is a top plan view thereof;
FIG. 7 is a bottom plan view thereof; and,
FIG. 8 is a right side elevation view thereof; a left side elevation view is identical to the right side elevation view.
The broken lines shown in the drawings illustrate portions of the cutting insert that form no part of claimed design.

1 Claim, 8 Drawing Sheets



(56)

References Cited

U.S. PATENT DOCUMENTS

D772,319 S * 11/2016 Nam D15/139
D822,077 S * 7/2018 Takahashi D15/139
2003/0180103 A1 9/2003 Nagaya et al.
2008/0253847 A1 10/2008 Nicholas
2011/0299945 A1 12/2011 Choi et al.
2012/0087748 A1 4/2012 Uno et al.
2015/0352646 A1 12/2015 Bhagath et al.
2017/0008100 A1 1/2017 Oikawa

* cited by examiner

FIG. 1

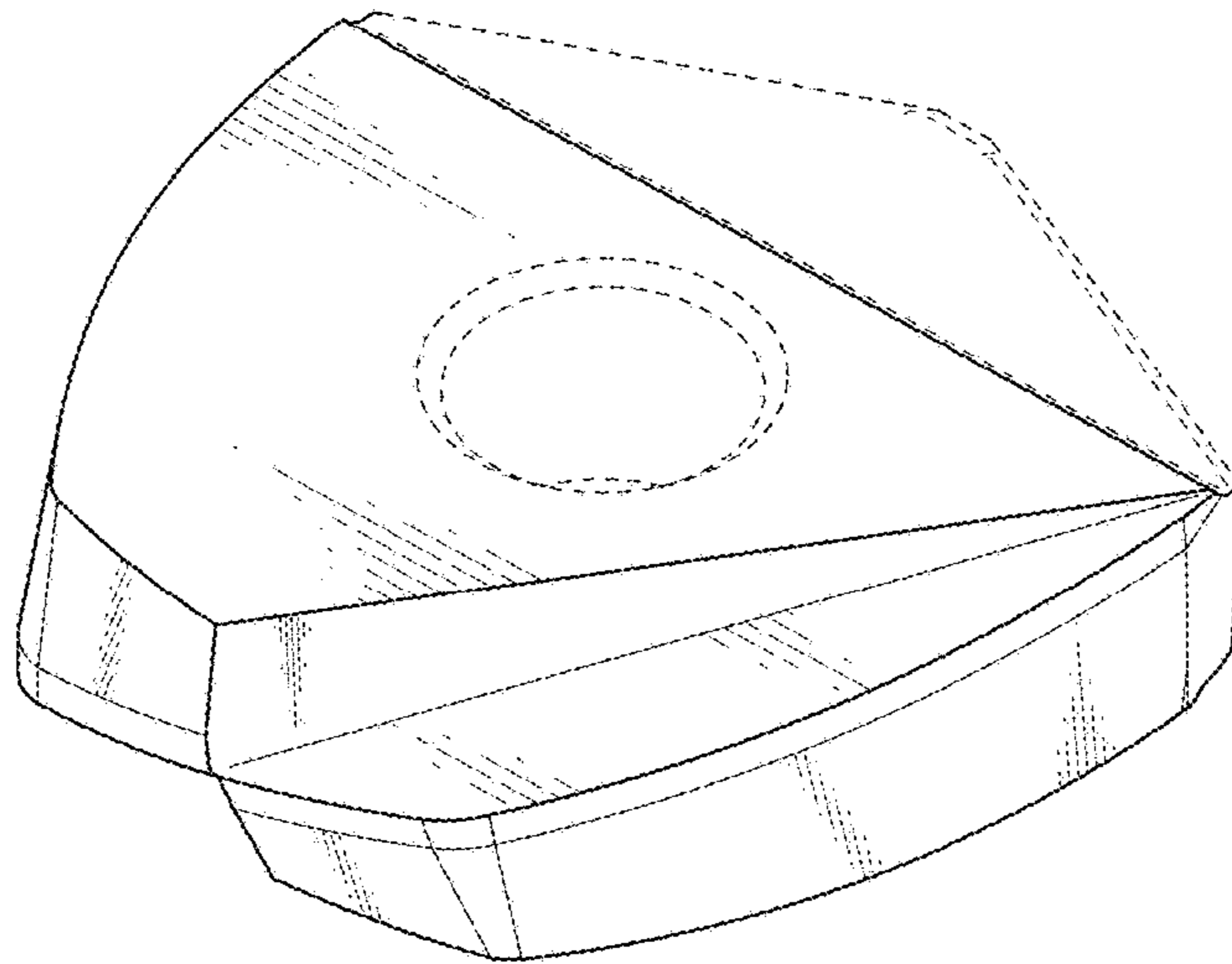


FIG. 2

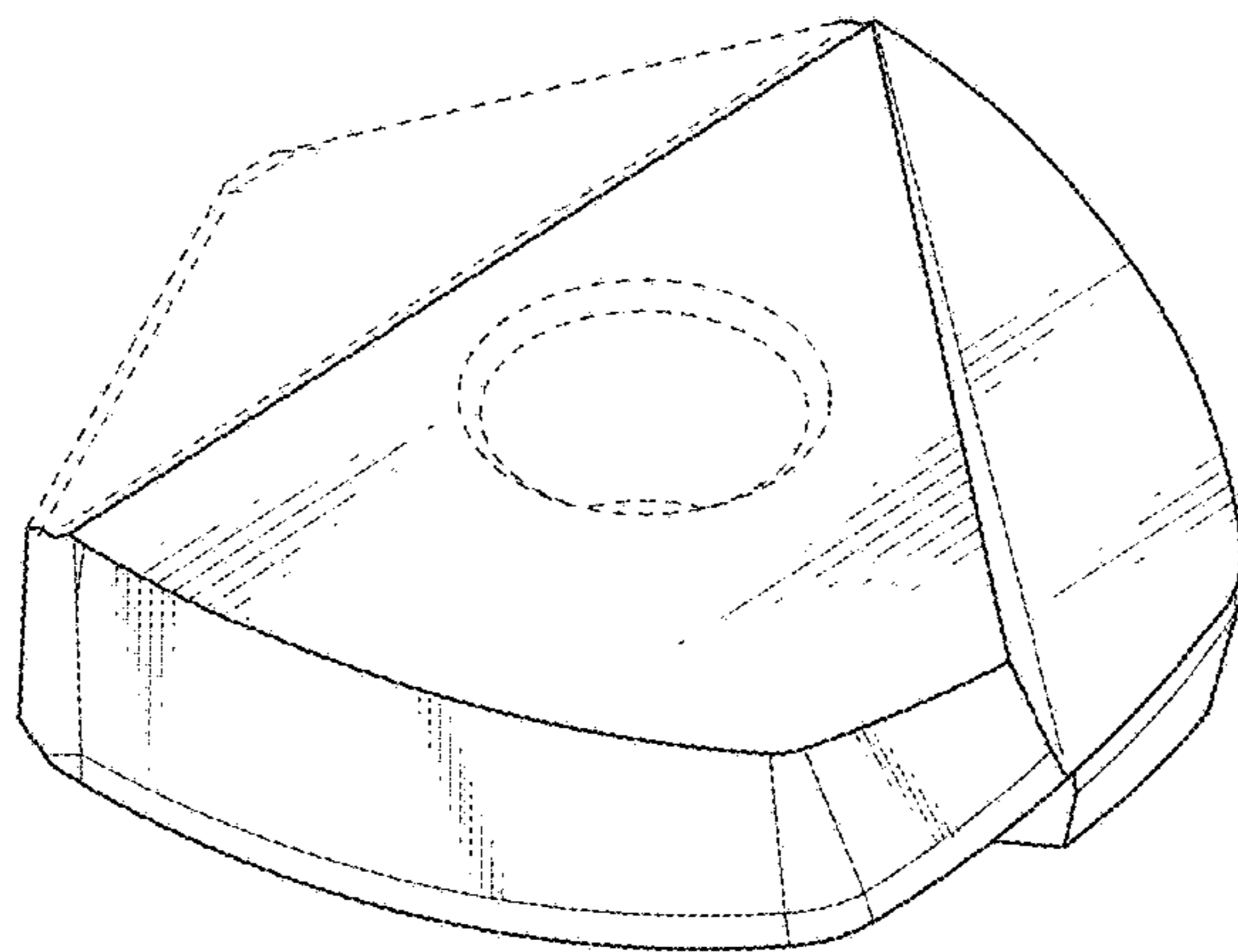


FIG. 3

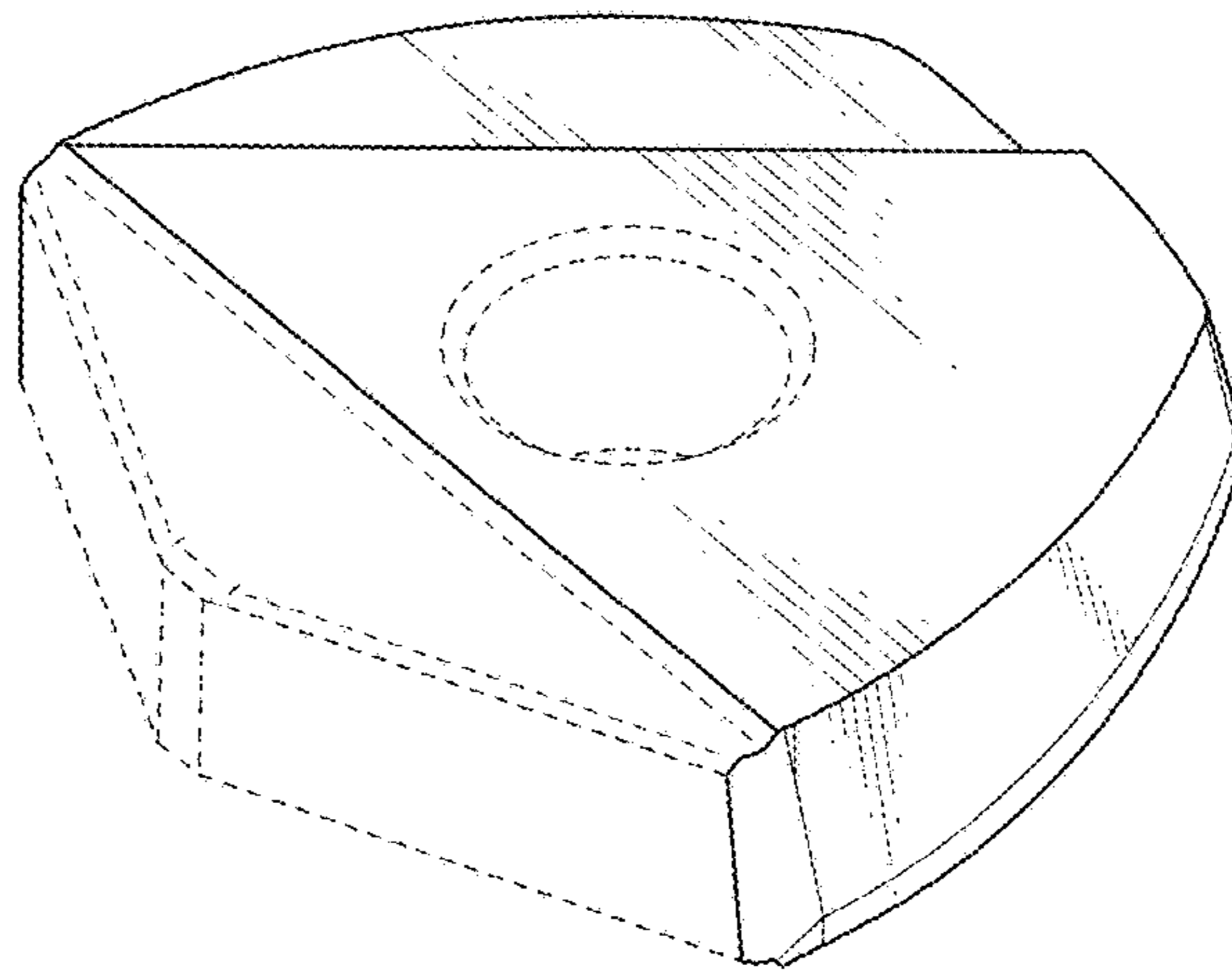


FIG. 4

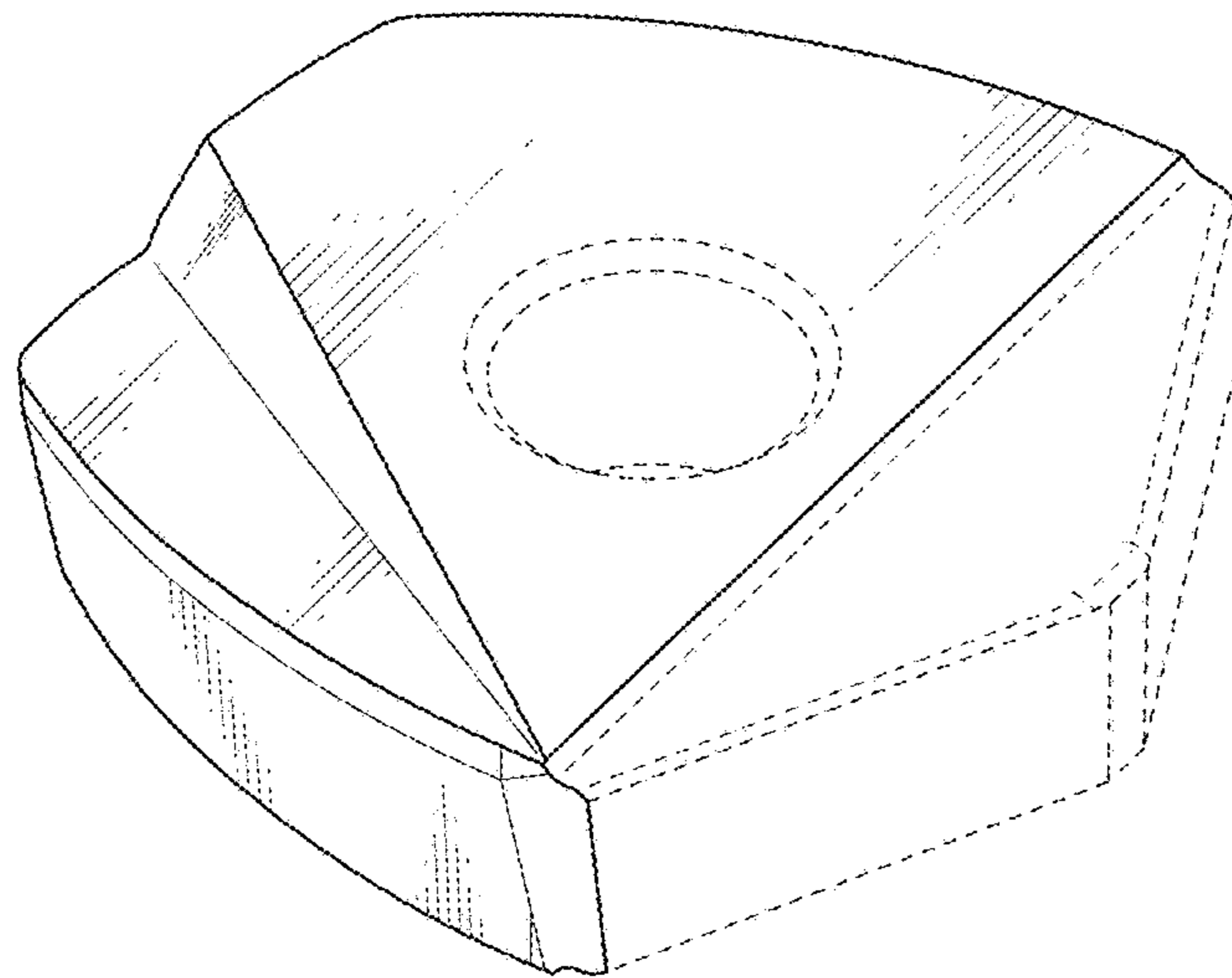


FIG. 5

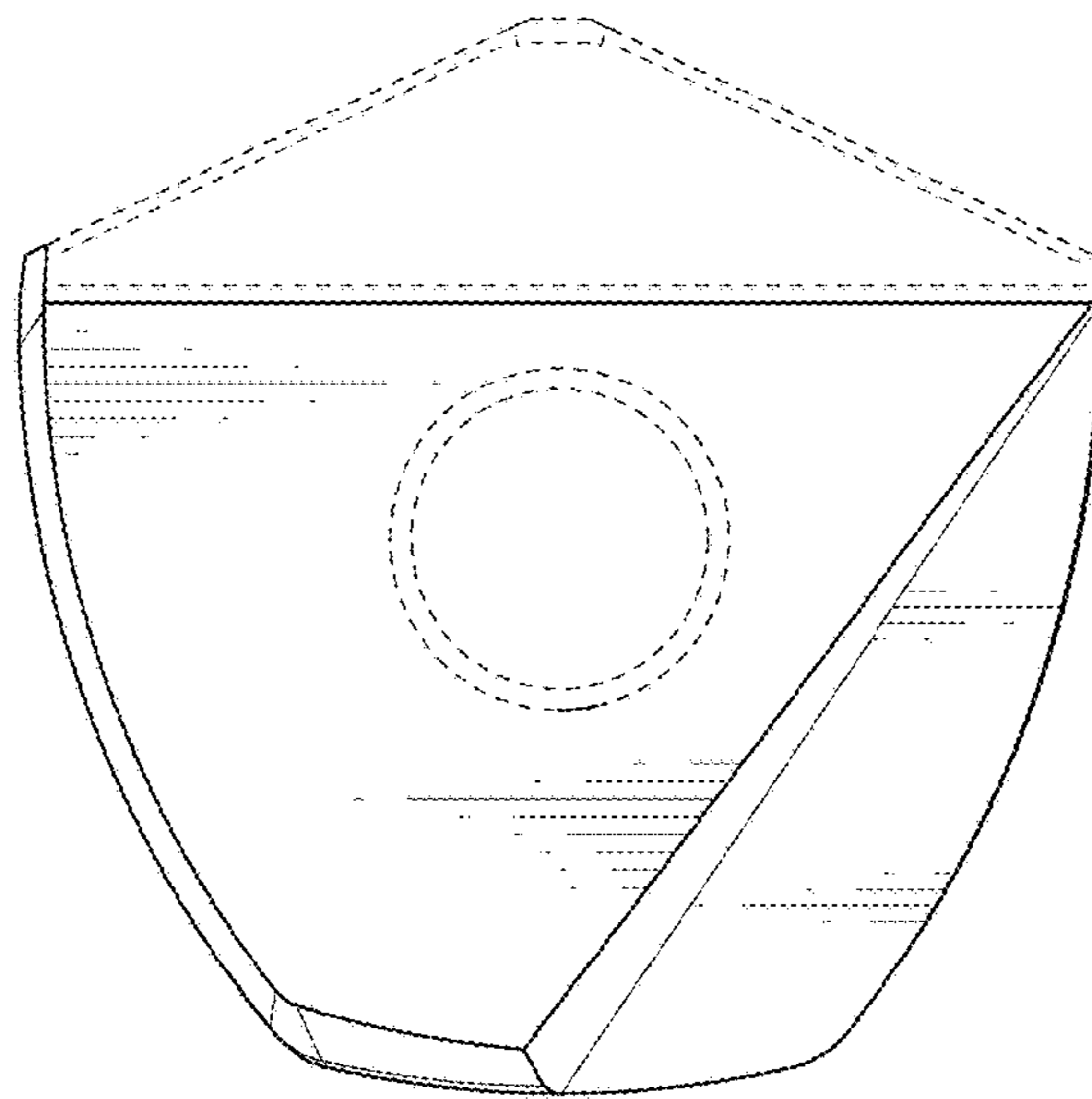


FIG. 6

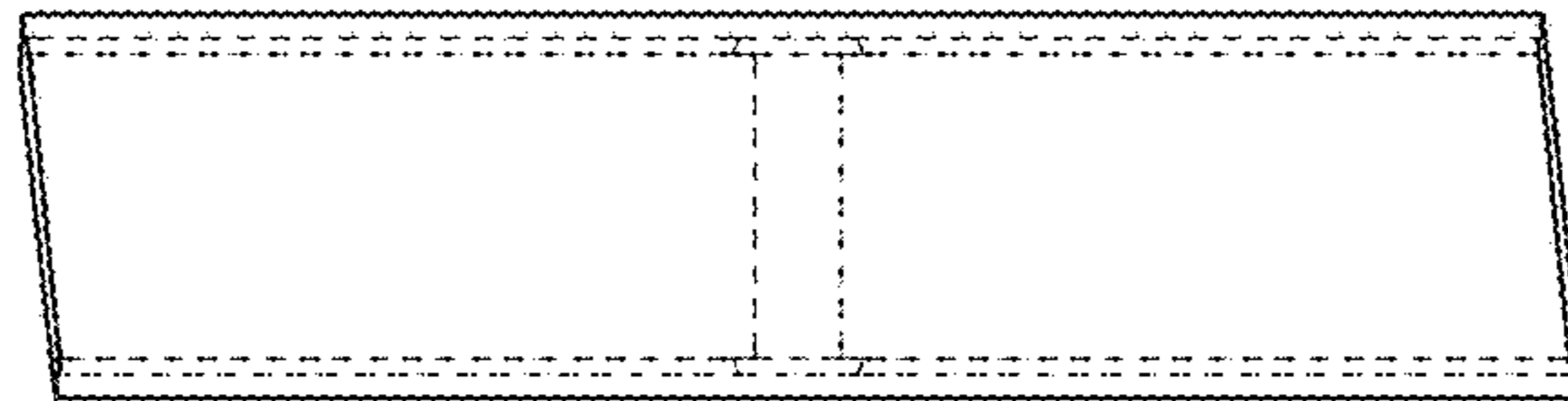


FIG. 7

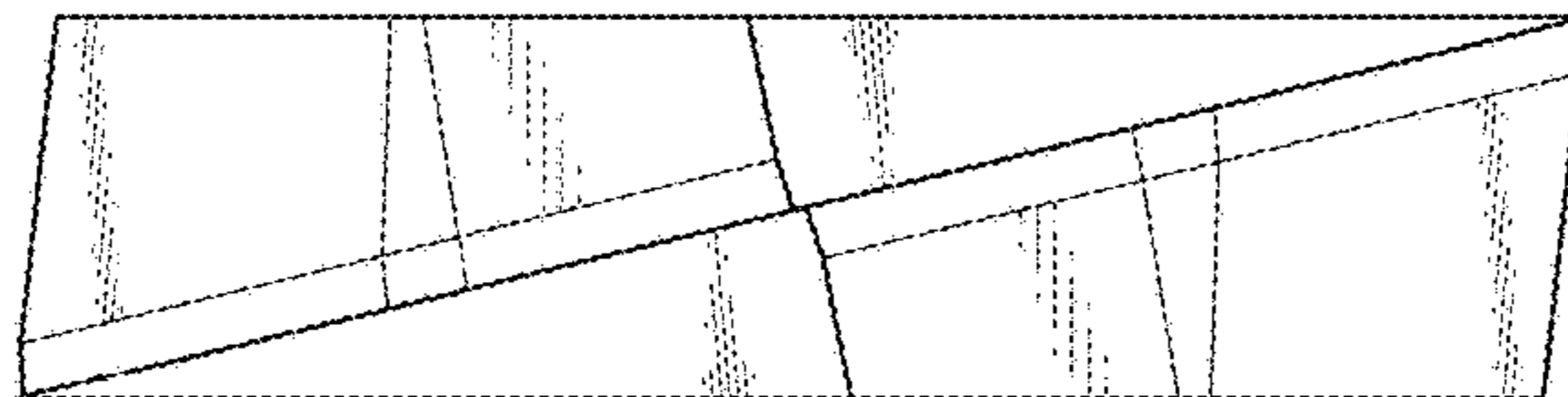


FIG. 8

