



US00D852245S

(12) **United States Design Patent**  
**Kobayashi et al.**

(10) **Patent No.:** **US D852,245 S**  
(45) **Date of Patent:** **\*\* Jun. 25, 2019**

(54) **CUTTING INSERT**

(71) Applicant: **Mitsubishi Hitachi Tool Engineering, Ltd., Tokyo (JP)**

(72) Inventors: **Yoshiyuki Kobayashi, Chiba (JP); Hayato Takahashi, Chiba (JP); Shoujirou Tsuma, Chiba (JP)**

(73) Assignee: **Mitsubishi Hitachi Tool Engineering, Ltd., Tokyo (JP)**

(\*\*) Term: **15 Years**

(21) Appl. No.: **29/674,283**

(22) Filed: **Dec. 20, 2018**

**Related U.S. Application Data**

(62) Division of application No. 29/594,205, filed on Feb. 16, 2017, now Pat. No. Des. 845,360.

**Foreign Application Priority Data**

(30) Nov. 25, 2016 (JP) ..... 2016-025665  
Nov. 25, 2016 (JP) ..... 2016-025666  
Nov. 25, 2016 (JP) ..... 2016-025667  
Nov. 25, 2016 (JP) ..... 2016-025668

(51) **LOC (11) Cl.** ..... **15-09**

(52) **U.S. Cl.**  
USPC ..... **D15/139**

(58) **Field of Classification Search**  
USPC ..... D8/20, 70; D15/126, 131, 138, 139, 140  
CPC ..... B23C 5/109; B23C 5/207  
See application file for complete search history.

(56) **References Cited**

**U.S. PATENT DOCUMENTS**

D341,604 S 11/1993 Hessman  
5,332,338 A 7/1994 Satran et al.  
D387,072 S 12/1997 Ojanen

6,249,950 B1 6/2001 Brask et al.  
6,334,740 B1 1/2002 Qvarth  
D485,852 S 1/2004 Arvidsson  
D487,281 S 3/2004 Roman et al.  
6,857,831 B2 2/2005 Davis  
7,168,512 B2 1/2007 Schuffenhauer et al.  
D595,322 S 6/2009 Sakata et al.  
D595,323 S 6/2009 Sakata et al.  
D595,751 S 7/2009 Sakata et al.  
D633,535 S 3/2011 Tanaka et al.  
8,840,344 B2 9/2014 Stenman  
D735,254 S 7/2015 O'Malley et al.

(Continued)

**OTHER PUBLICATIONS**

Mechanical Engineering Publication; Publisher The Daily Industrial News (Japan); Reference No. ISSN 0451-9396; p. 61; Publication date Feb. 1, 2016.

*Primary Examiner* — Patricia A Palasik

(74) *Attorney, Agent, or Firm* — Banner & Witcoff, Ltd.

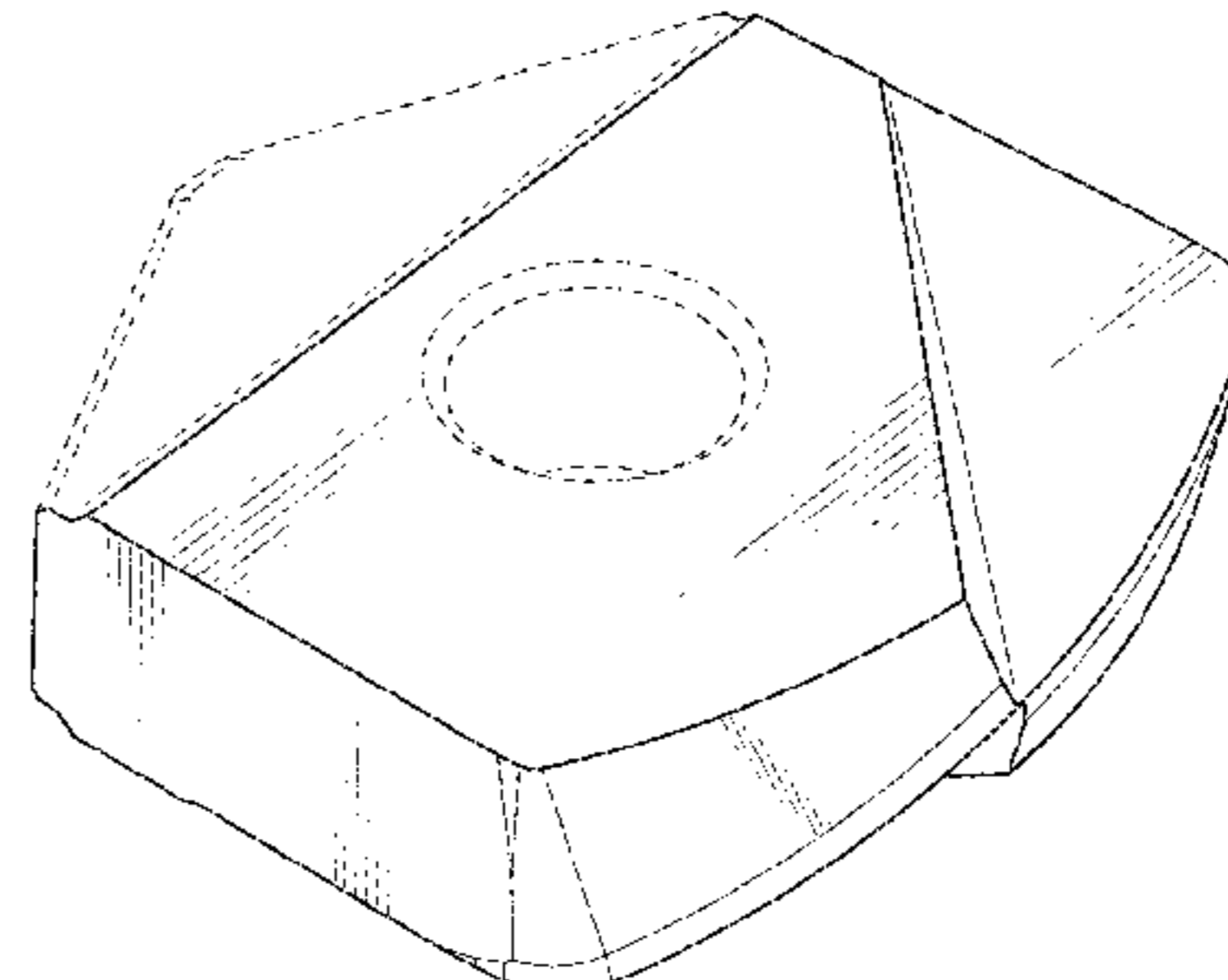
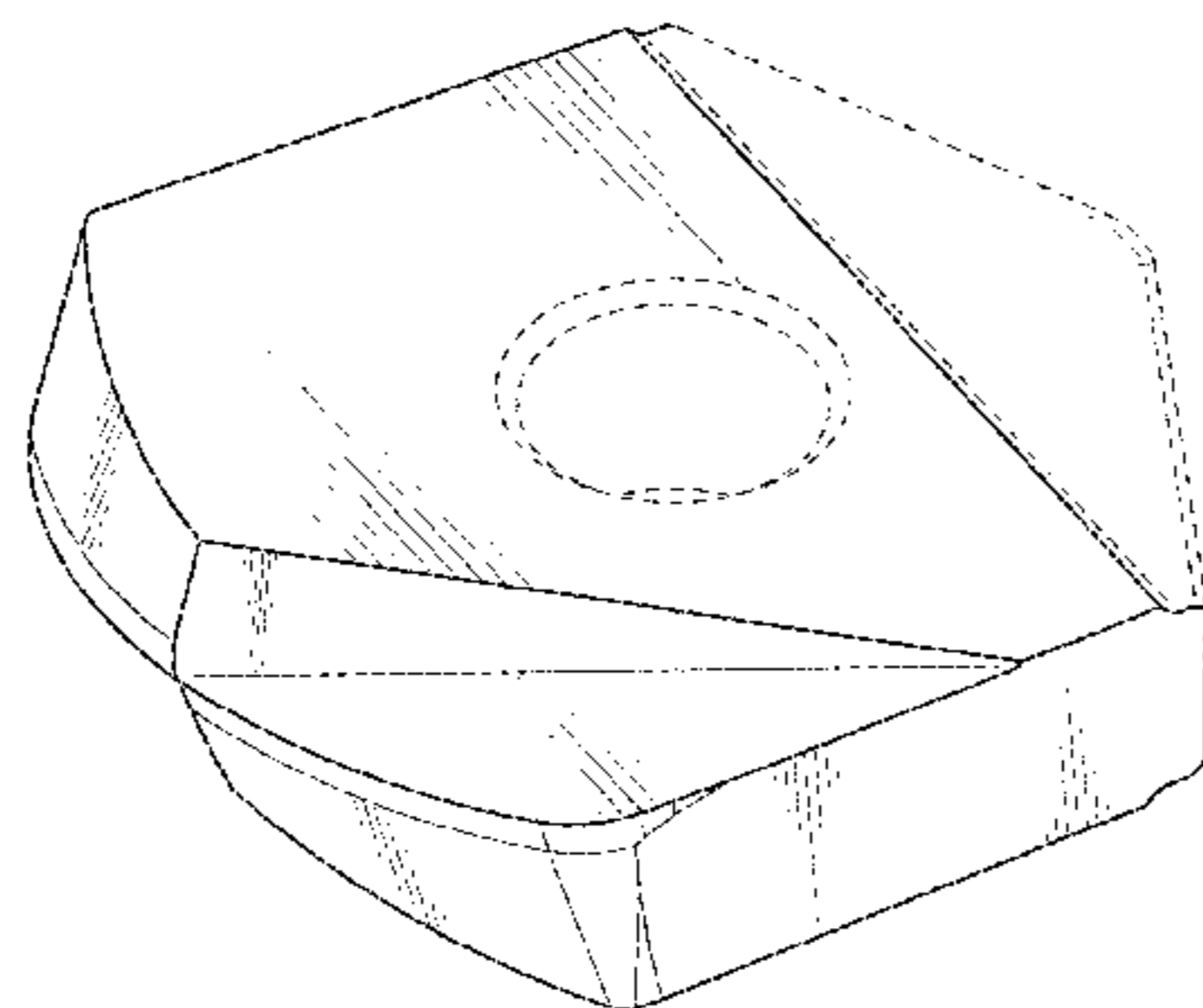
(57) **CLAIM**

The ornamental design for a cutting insert, as shown and described.

**DESCRIPTION**

FIG. 1 is a perspective view of a cutting insert showing our new design;  
FIG. 2 is a perspective view thereof;  
FIG. 3 is a perspective view thereof;  
FIG. 4 is a perspective view thereof;  
FIG. 5 is a front elevation view thereof; the rear elevation view is identical to the front elevation view;  
FIG. 6 is a top plan view thereof;  
FIG. 7 is a bottom plan view thereof; and,  
FIG. 8 is a right side elevation view thereof; a left side elevation view is identical to the right side elevation view.  
The broken lines shown in the drawings illustrate portions of the cutting insert that form no part of claimed design.

**1 Claim, 8 Drawing Sheets**



(56)

**References Cited**

U.S. PATENT DOCUMENTS

D815,165	S	*	4/2018	Morisaki .....	D15/139
D816,134	S	*	4/2018	Mura .....	D15/139
D816,744	S	*	5/2018	Lee .....	D15/139
D822,077	S	*	7/2018	Takahashi .....	D15/139
D822,078	S	*	7/2018	Oh .....	D15/139
D838,755	S	*	1/2019	Takahashi .....	D15/139
2003/0180103	A1		9/2003	Nagaya et al.	
2008/0253847	A1		10/2008	Nicholas	
2011/0299945	A1		12/2011	Choi et al.	
2012/0087748	A1		4/2012	Uno et al.	
2015/0352646	A1		12/2015	Bhagath et al.	
2017/0008100	A1		1/2017	Oikawa	

\* cited by examiner

FIG. 1

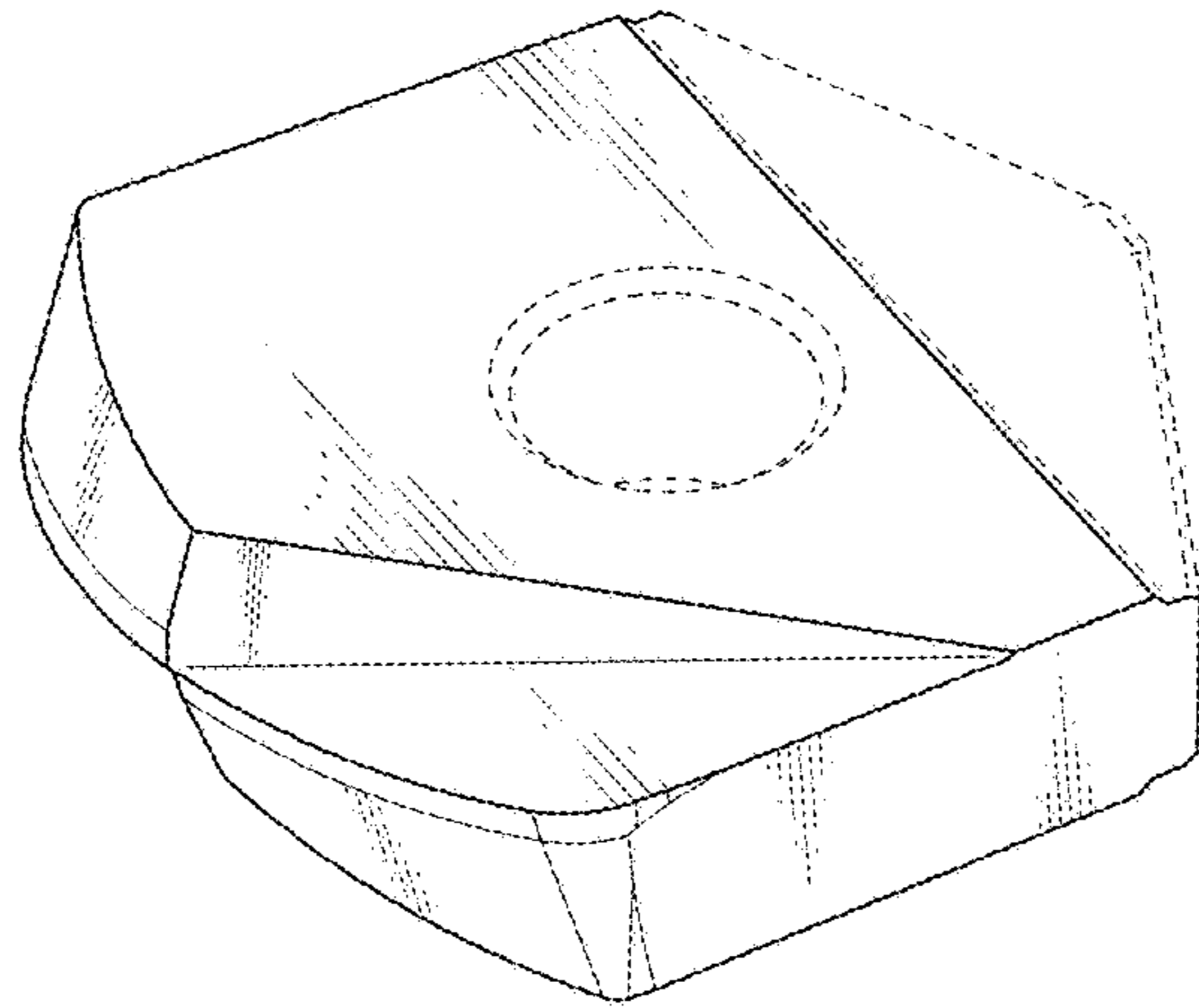


FIG. 2

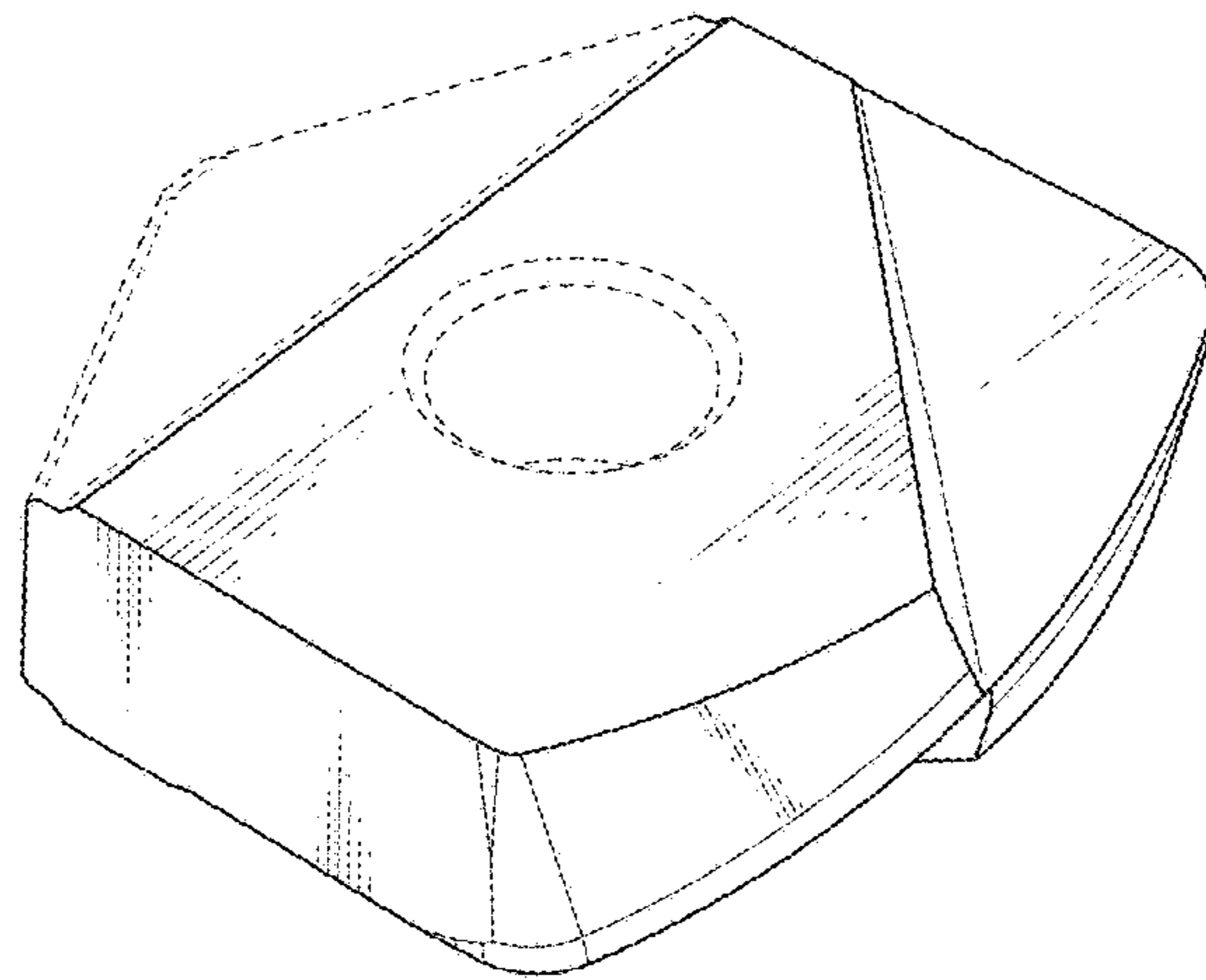


FIG. 3

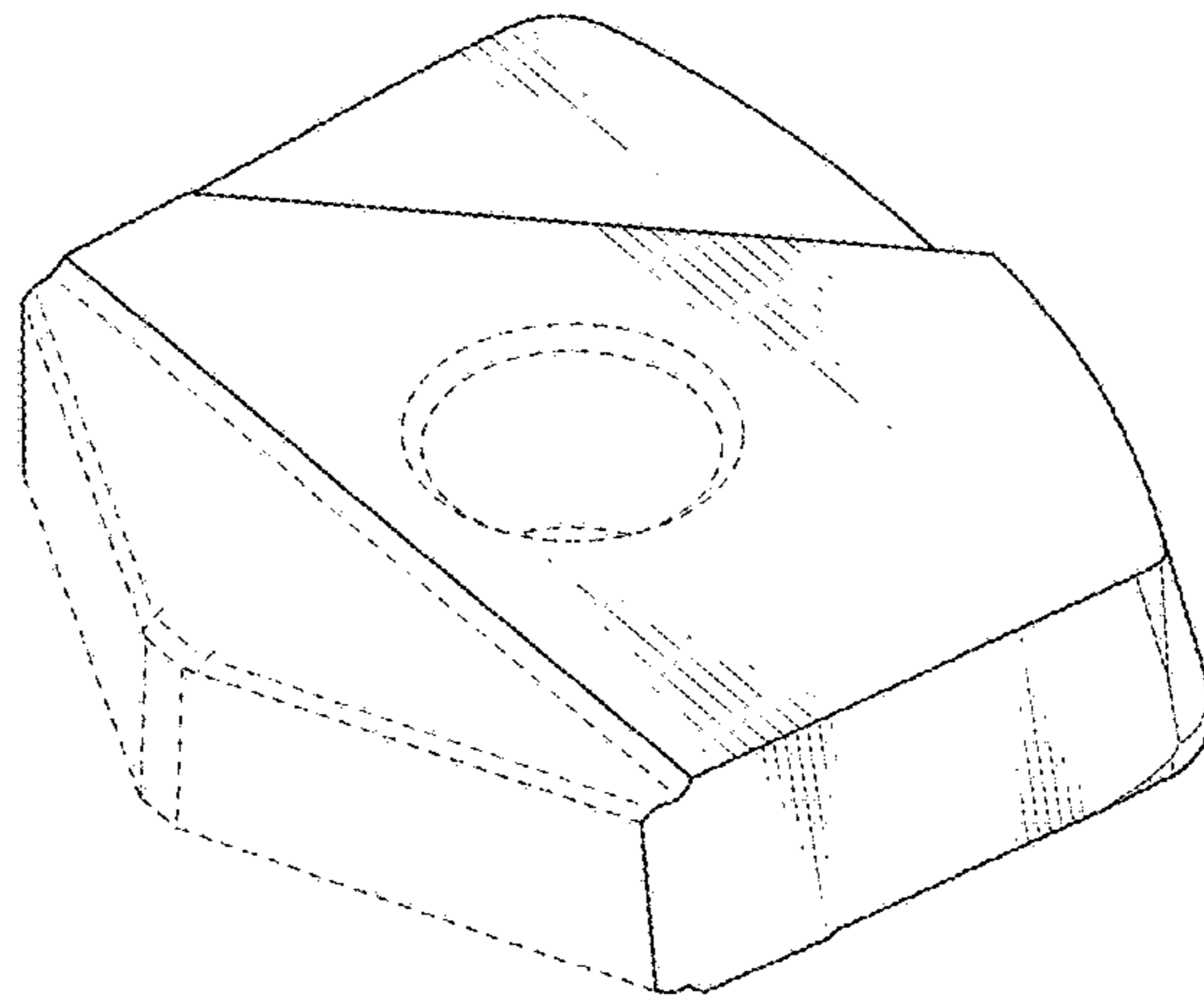


FIG. 4

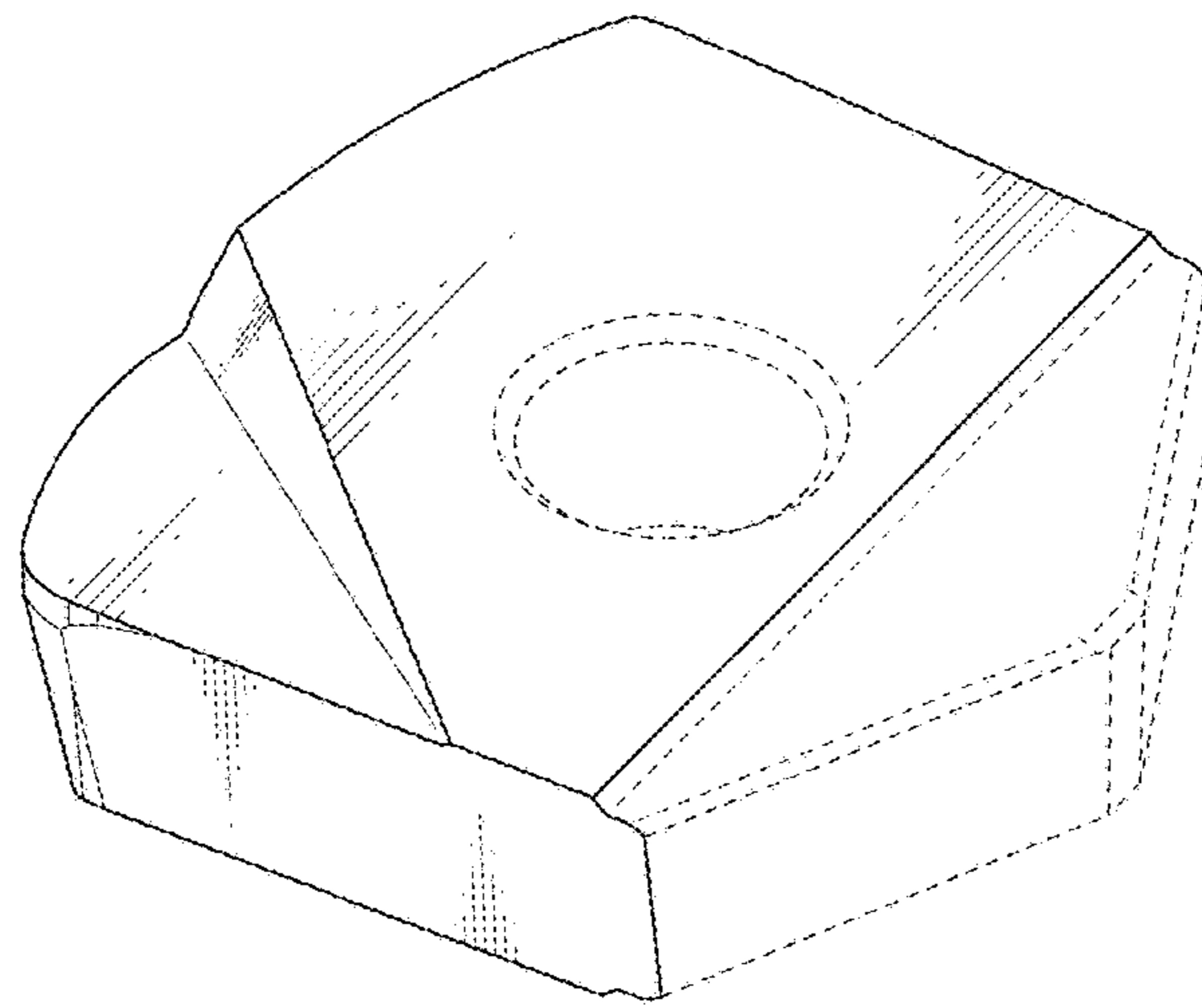


FIG. 5

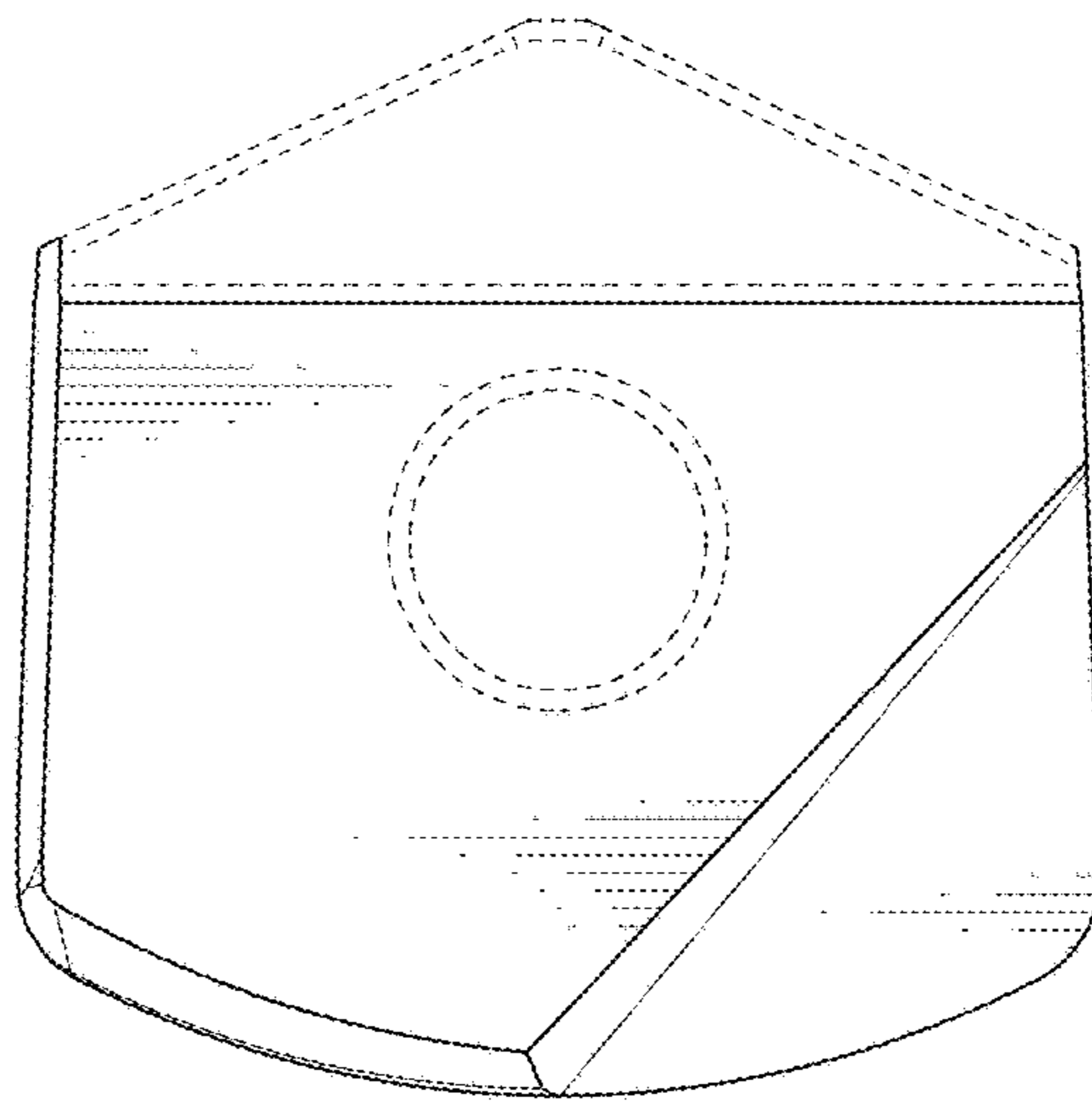


FIG. 6

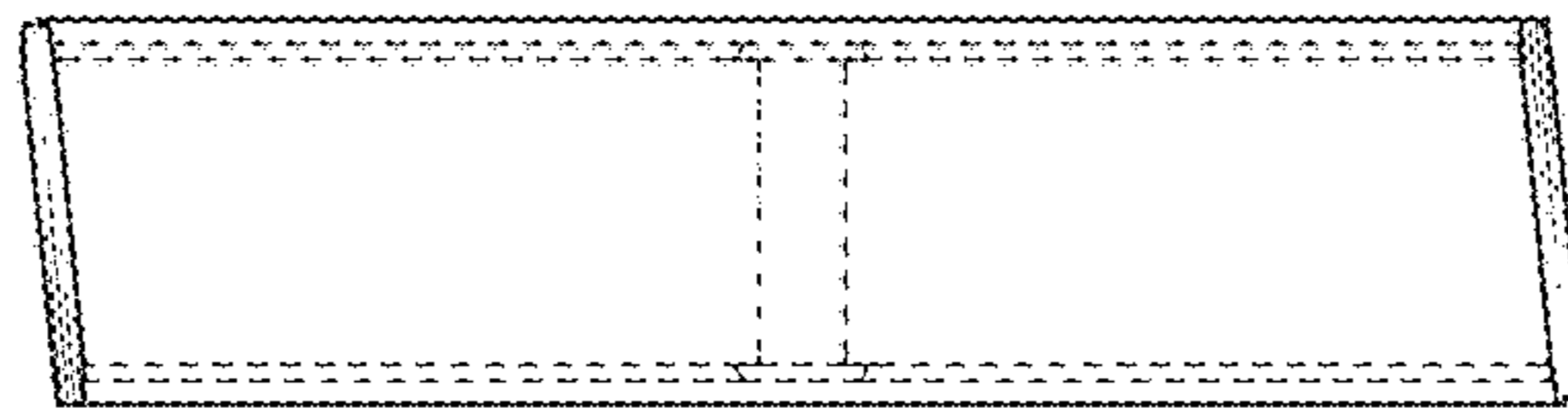




FIG. 7

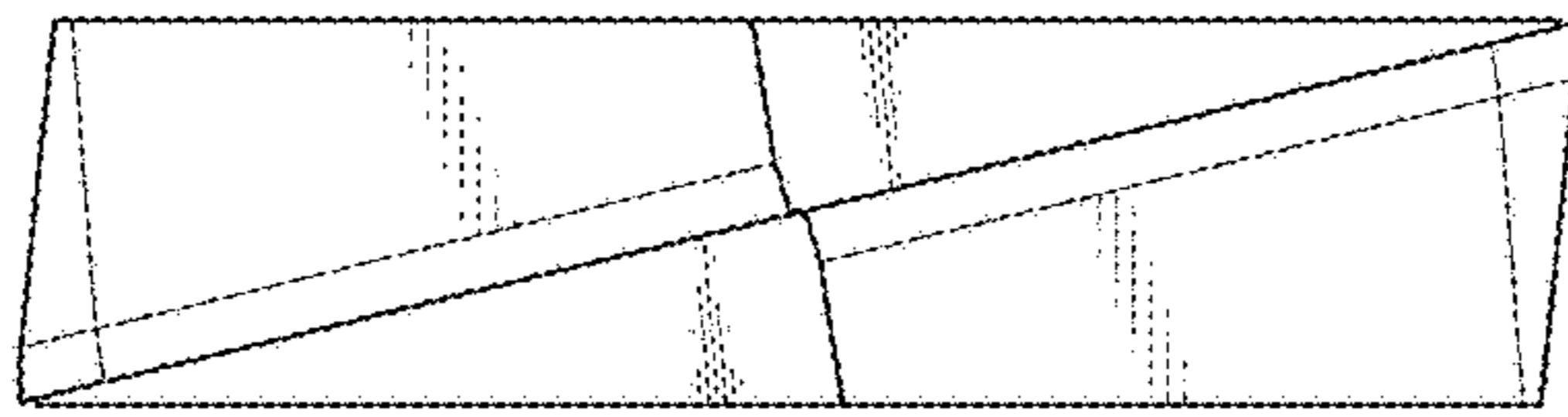


FIG. 8

