



US00D852244S

(12) **United States Design Patent**  
**Young**

(10) **Patent No.:** **US D852,244 S**  
(45) **Date of Patent:** **\*\* Jun. 25, 2019**

- (54) **FLUID GUIDING DEVICE FOR ELECTROLYZER**
- (71) Applicant: **Tae Young E&T Co., Ltd.**,  
Gyeongsangnam-do (KR)
- (72) Inventor: **Yoon Tae Young**, Busan (KR)
- (73) Assignee: **TAE YOUNG E&T CO., LTD.** (KR)
- (\*\*) Term: **15 Years**
- (21) Appl. No.: **29/625,173**
- (22) Filed: **Nov. 7, 2017**
- (30) **Foreign Application Priority Data**

- Jul. 4, 2017 (KR) ..... 30-2017-0030678
- (51) **LOC (11) Cl.** ..... **15-09**
- (52) **U.S. Cl.**  
USPC ..... **D15/138**
- (58) **Field of Classification Search**  
USPC ..... D13/184; D15/138, 199  
CPC ..... C25B 11/03; C25B 11/04; C25B 15/00;  
C25B 9/08  
See application file for complete search history.

- (56) **References Cited**  
U.S. PATENT DOCUMENTS
- 2,548,229 A \* 4/1951 Mendenhall ..... F16N 7/00  
384/13
- 3,461,057 A \* 8/1969 Kamarjan ..... C25B 9/08  
204/253
- 4,432,858 A \* 2/1984 Schmitt ..... C25B 9/20  
204/257
- 5,843,291 A \* 12/1998 Eki ..... C02F 1/283  
204/228.6
- 6,027,620 A \* 2/2000 Jackson ..... C25B 9/20  
204/253

- 6,379,525 B1 \* 4/2002 Clements ..... C25B 1/26  
204/255
- 6,656,334 B2 \* 12/2003 Tseng ..... C02F 1/46104  
204/242
- D496,340 S \* 9/2004 Zoeller ..... D13/184
- D758,978 S \* 6/2016 Rooyakkers ..... D13/184
- D833,985 S \* 11/2018 Vierjarvi ..... D13/163
- 2007/0209942 A1 \* 9/2007 Shyu ..... B01D 61/50  
204/627
- 2007/0210063 A1 \* 9/2007 Conrad ..... A47J 37/067  
219/449.1
- 2007/0251830 A1 \* 11/2007 Conrad ..... C25B 1/02  
205/508
- 2008/0210572 A1 \* 9/2008 Field ..... A47L 11/302  
205/770
- 2011/0303533 A1 \* 12/2011 Shyu ..... C25B 9/00  
204/274
- 2012/0237846 A1 \* 9/2012 Brodmann ..... H01M 8/0271  
429/454

(Continued)

*Primary Examiner* — Patricia A Palasik  
(74) *Attorney, Agent, or Firm* — LeClairRyan

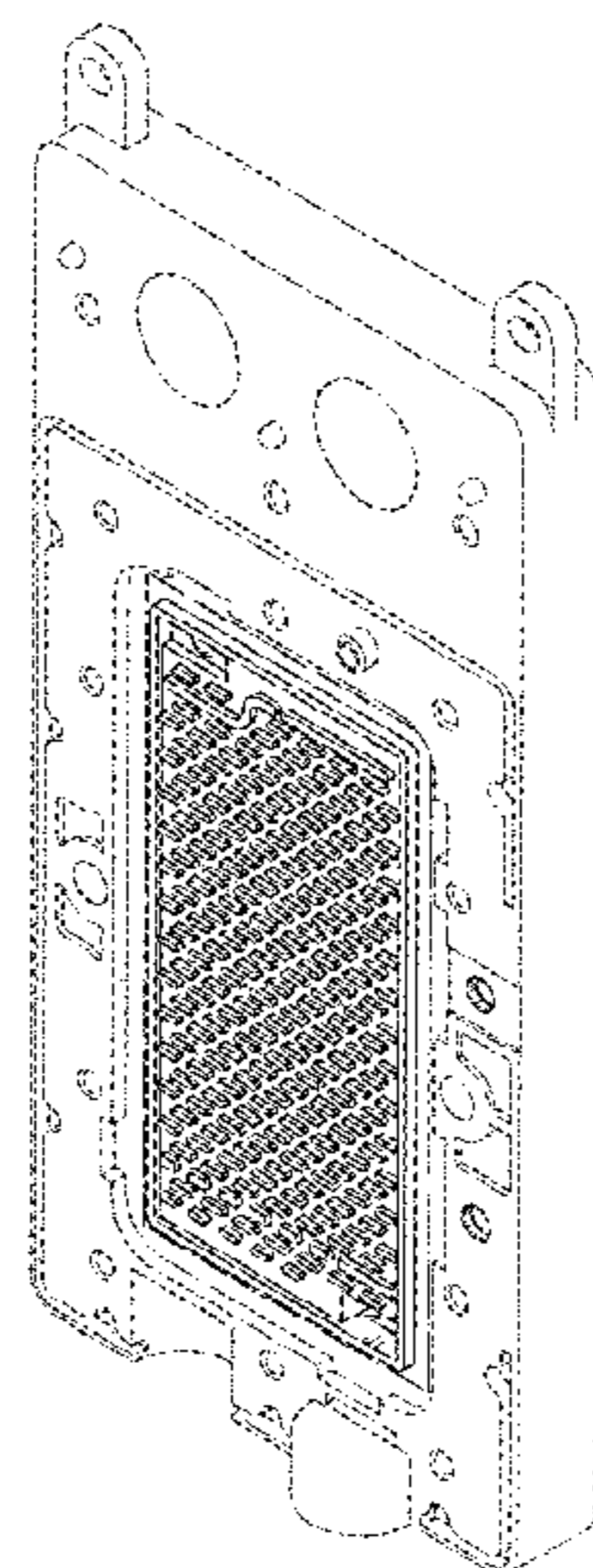
(57) **CLAIM**

The ornamental design for a fluid guiding device for electrolyzer, as shown and described.

**DESCRIPTION**

FIG. 1 is a perspective view of a fluid guiding device for electrolyzer;  
FIG. 2 is a front view thereof;  
FIG. 3 is a rear view thereof;  
FIG. 4 is a left side view thereof;  
FIG. 5 is a right side view thereof;  
FIG. 6 is a top view thereof;  
FIG. 7 is a bottom view thereof; and,  
FIG. 8 is enlarging a portion of the front view of FIG. 2 of the fluid guiding device for electrolyzer.  
The dashed broken lines in the drawings illustrate example environment that form no part of the claimed design.

**1 Claim, 7 Drawing Sheets**



(56)

**References Cited**

U.S. PATENT DOCUMENTS

2016/0341301 A1\* 11/2016 Slesinski ..... F16H 1/00

\* cited by examiner

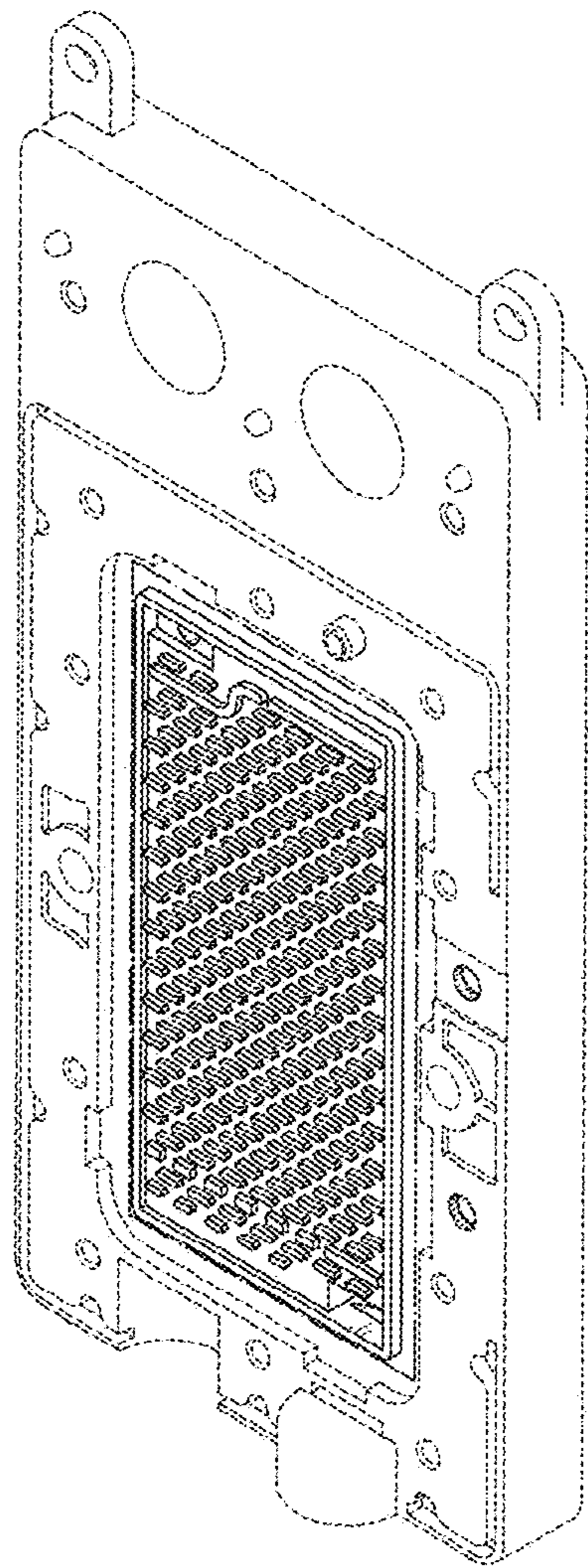


FIG. 1

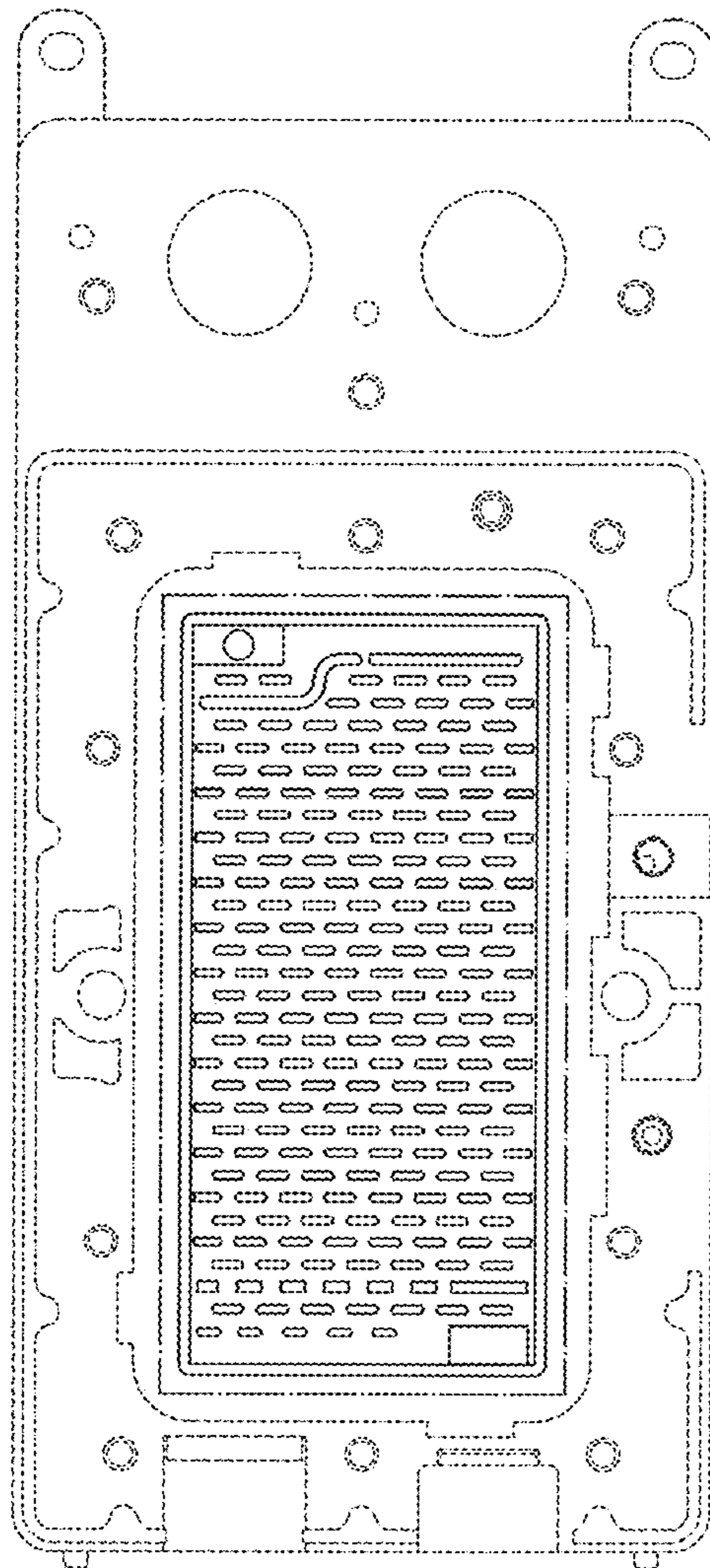


FIG. 2



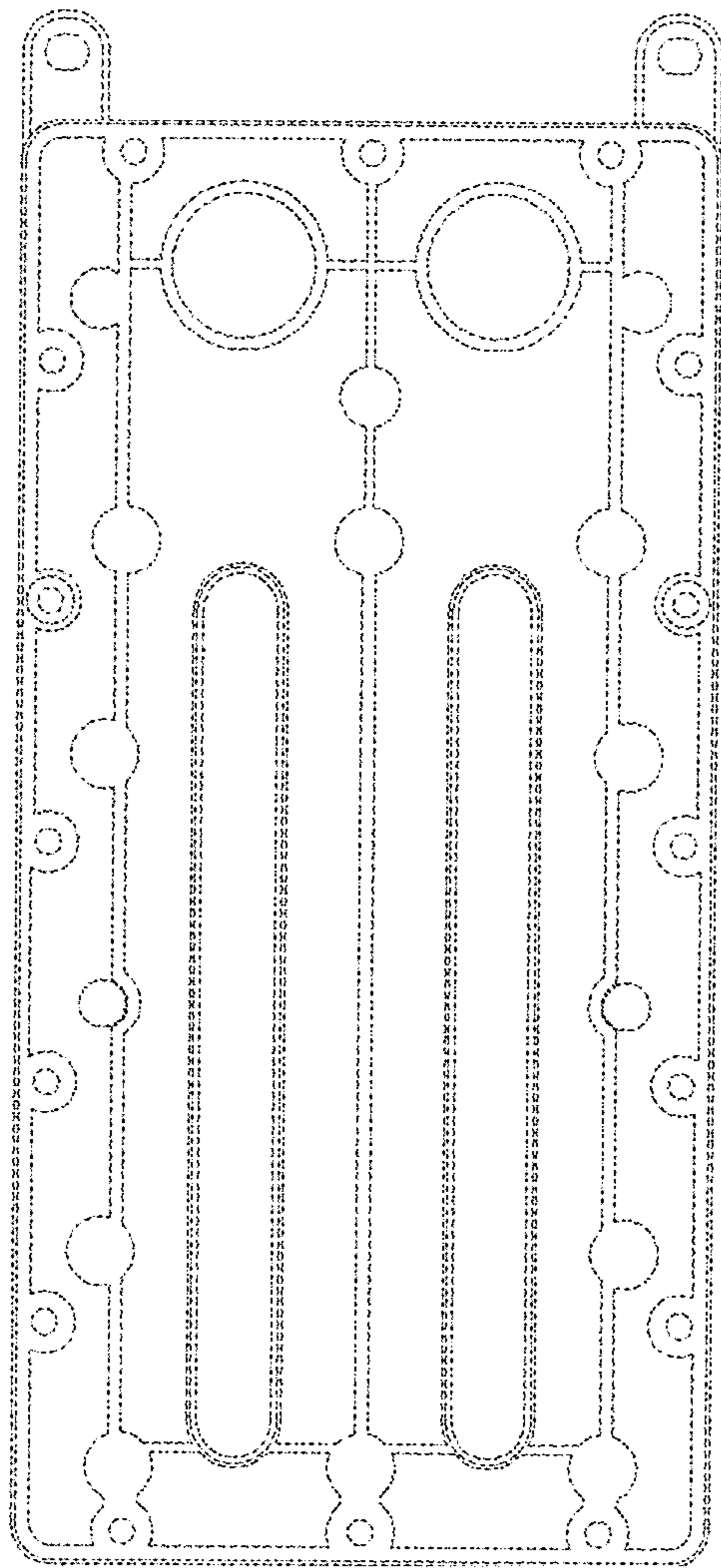


FIG. 3

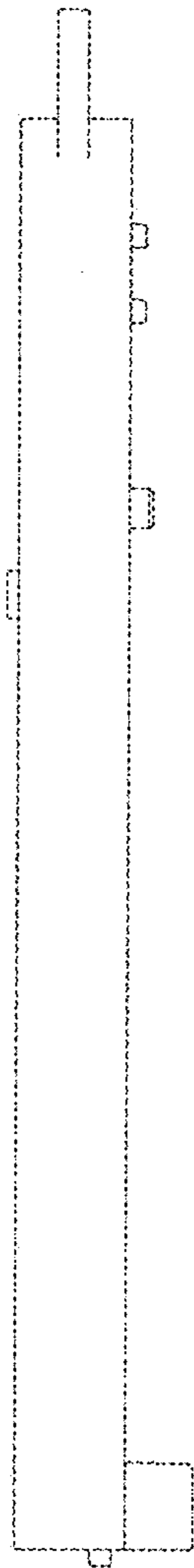


FIG. 4

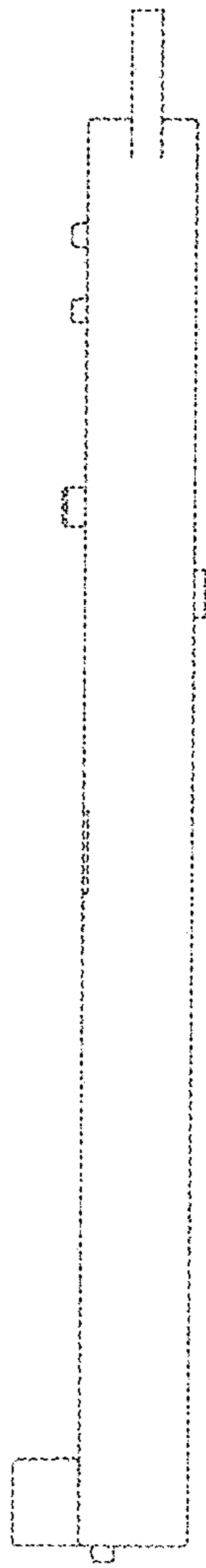


FIG. 5

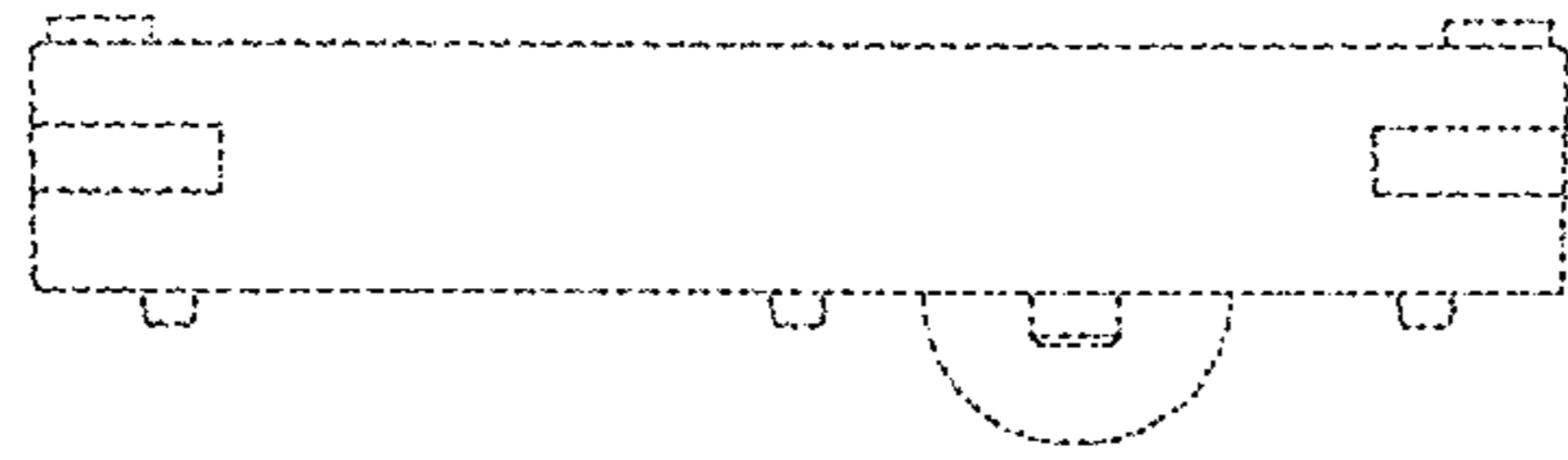


FIG. 6

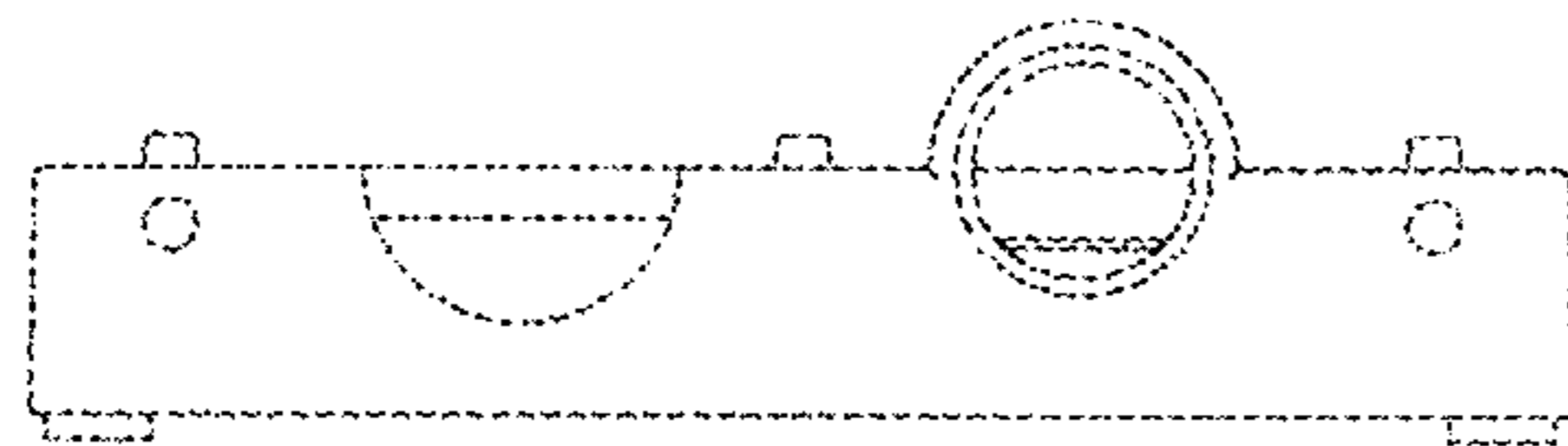


FIG. 7



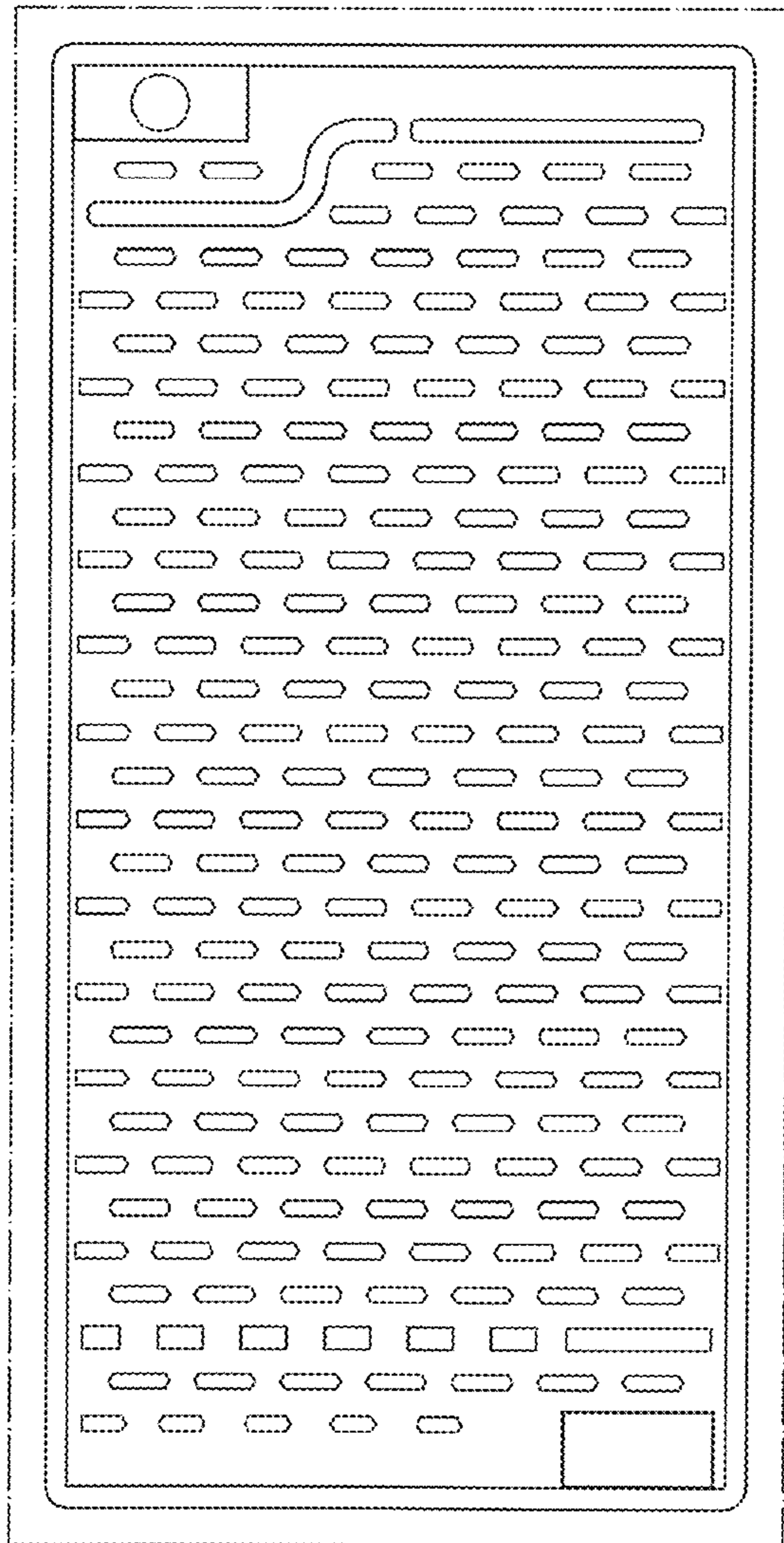


FIG. 8