



US00D852238S

(12) **United States Design Patent**  
**Kehoe**

(10) **Patent No.:** **US D852,238 S**  
(45) **Date of Patent:** **\*\* Jun. 25, 2019**

(54) **BEVERAGE CHILLING DEVICE**

(71) Applicant: **PRODUCT SPECIALTIES INC.,**  
Whitby (CA)

(72) Inventor: **Paul Martin Kehoe,** Whitby (CA)

(73) Assignee: **PRODUCT SPECIALTIES INC.,**  
Whitby, Ontario (CA)

(\*\*) Term: **15 Years**

(21) Appl. No.: **29/633,901**

(22) Filed: **Jan. 17, 2018**

(30) **Foreign Application Priority Data**

Nov. 28, 2017 (CA) ..... 178389

(51) **LOC (11) Cl.** ..... **15-07**

(52) **U.S. Cl.**  
USPC ..... **D15/90**

(58) **Field of Classification Search**

USPC ..... D15/79-91; D7/368, 669, 603, 605, 300  
CPC .. F25J 2220/02; F25J 2270/902; F25J 3/0209;  
F25J 3/061; F25J 1/0065; F25J 1/0245;  
F25J 1/0269; F25J 1/0294; F25J 1/0298;  
F25J 2270/912; F25D 17/02; F25D  
19/006; F25D 19/00; F25D 2201/12;  
F25D 2317/063; F25D 23/028; F25D  
23/069; F25D 23/087; F25D 25/02

See application file for complete search history.

(56) **References Cited**

**U.S. PATENT DOCUMENTS**

1,820,221 A 8/1931 Geyer et al.  
D245,161 S \* 7/1977 Perkins ..... D15/79

D260,720 S \* 9/1981 Edwards ..... D7/603  
7,556,236 B2 7/2009 Slappay  
D700,468 S \* 3/2014 Chiorazzi ..... D11/146  
D700,472 S \* 3/2014 Van Staden ..... D7/368  
D736,277 S \* 8/2015 Wempe ..... D15/90  
D736,558 S \* 8/2015 Likar ..... D7/368  
D770,860 S \* 11/2016 Wampold ..... D7/608  
D787,569 S \* 5/2017 Meaux ..... D15/90  
D787,570 S \* 5/2017 Meaux ..... D15/90  
D819,093 S \* 5/2018 Hellman ..... D15/90  
2006/0266915 A1 11/2006 Parker  
2009/0100853 A1 4/2009 Bryant  
2013/0019630 A1\* 1/2013 Busby ..... F25D 31/007  
62/426  
2013/0232992 A1 9/2013 Bisceglie

\* cited by examiner

*Primary Examiner* — Khawaja Anwar

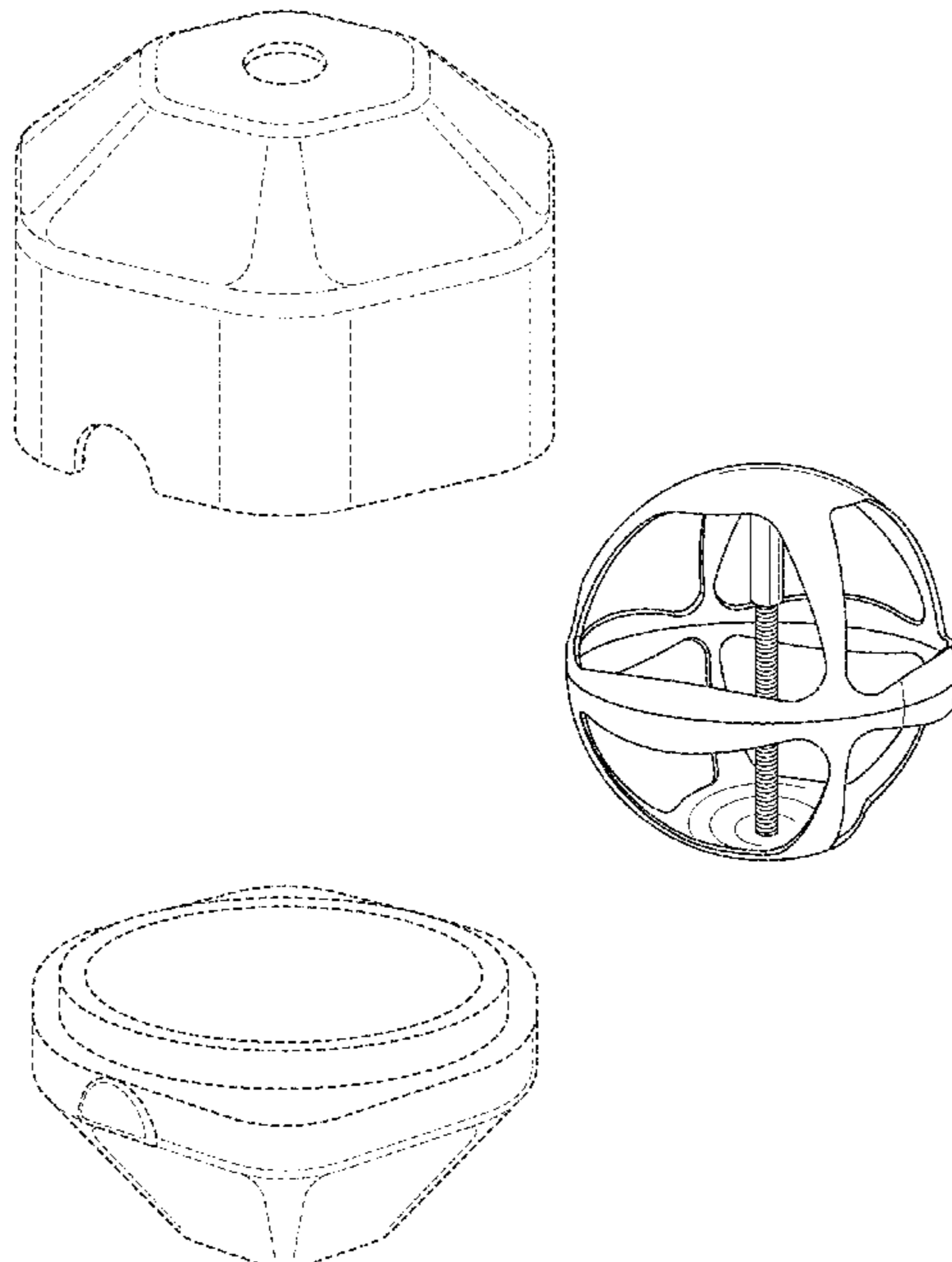
(57) **CLAIM**

The ornamental design for a beverage chilling device, as shown and described.

**DESCRIPTION**

FIG. 1 is a perspective view of the beverage chilling device, showing my new design;  
FIG. 2 is a front elevation view thereof;  
FIG. 3 is a left side elevation view thereof, a right side being a mirror image thereto;  
FIG. 4 is a rear elevation view thereof;  
FIG. 5 is a top plan view thereof; and,  
FIG. 6 is a bottom plan view thereof.  
The broken lines shown in drawings show unclaimed environment and form no parts of the claimed design.

**1 Claim, 5 Drawing Sheets**



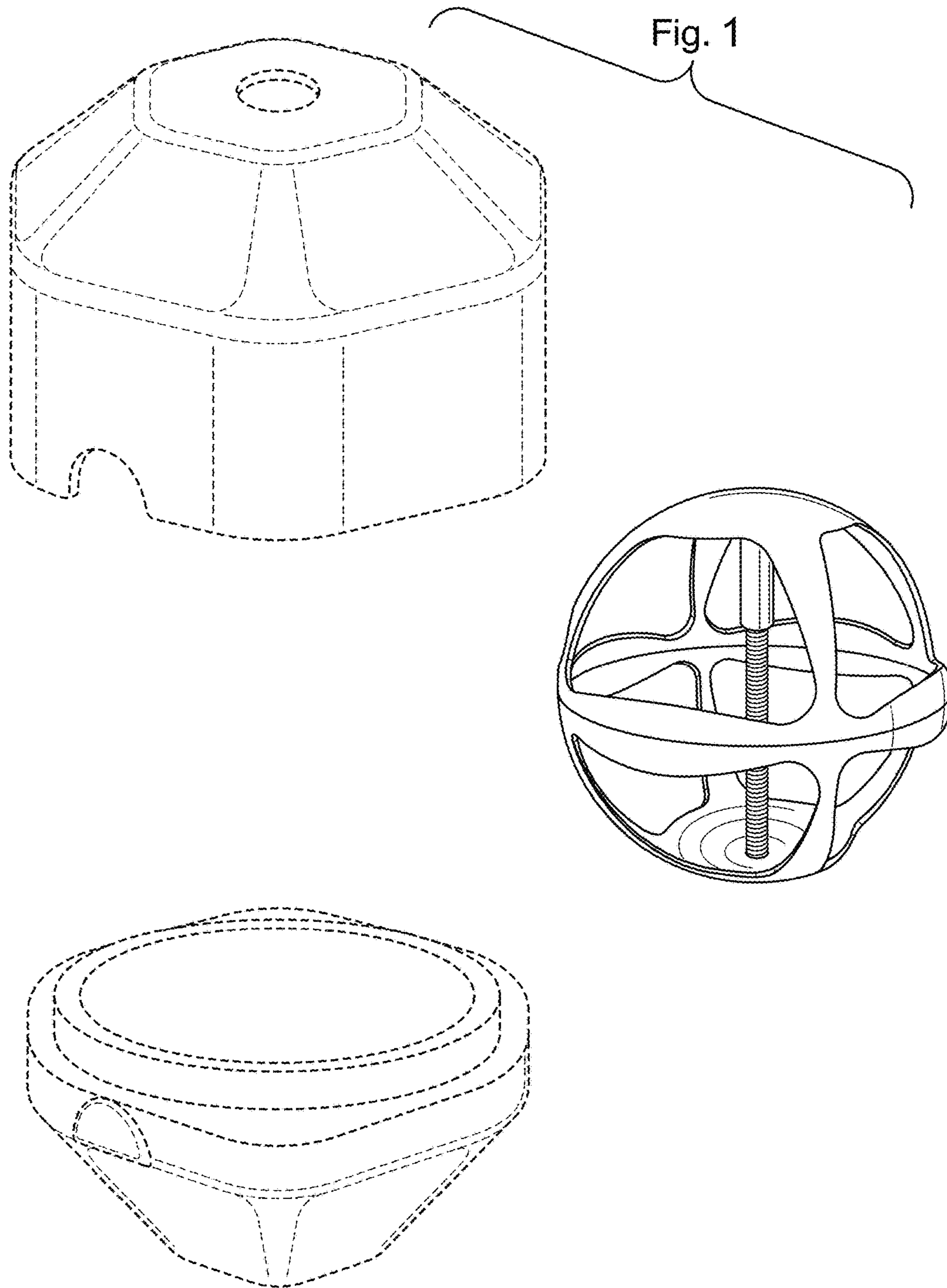
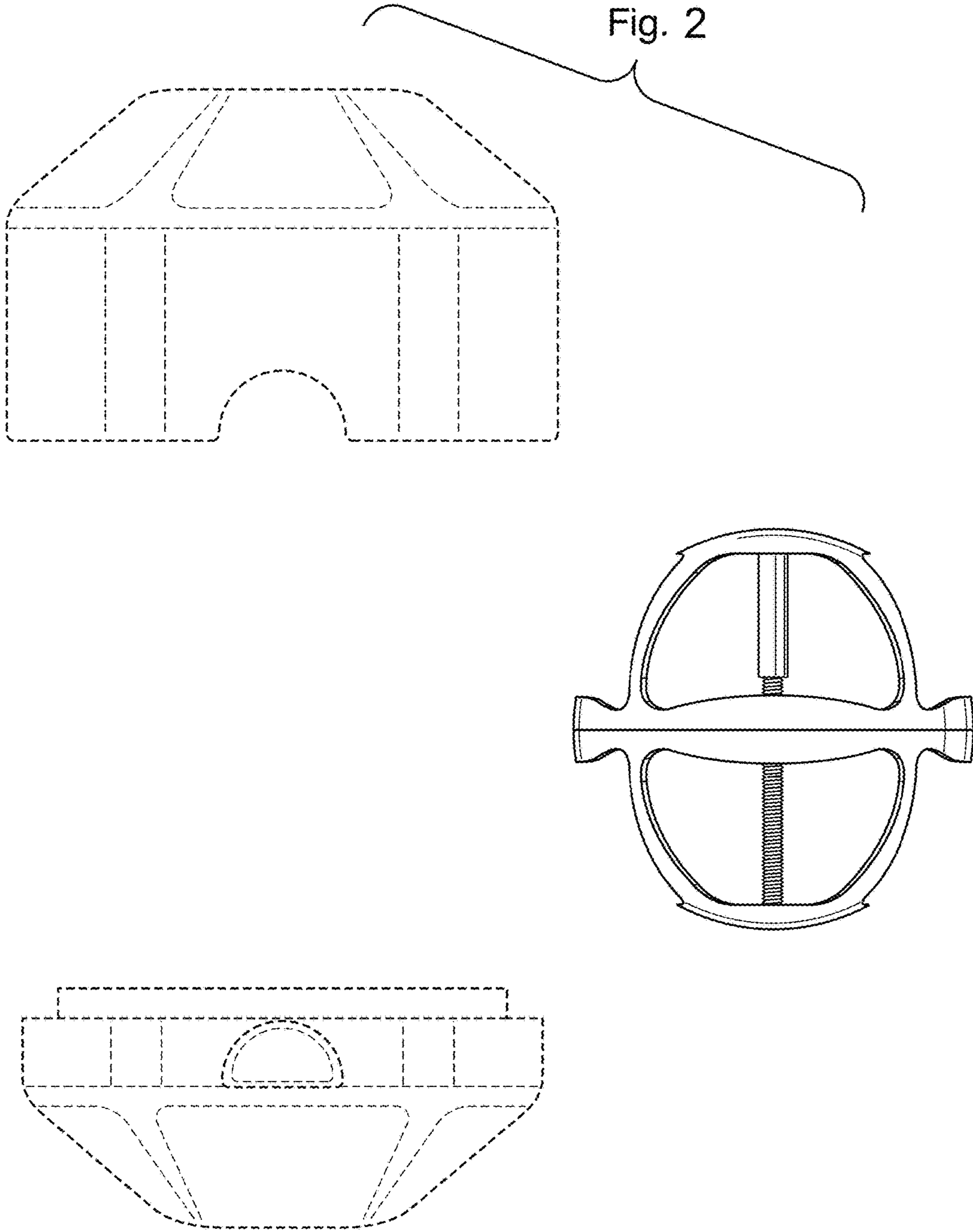
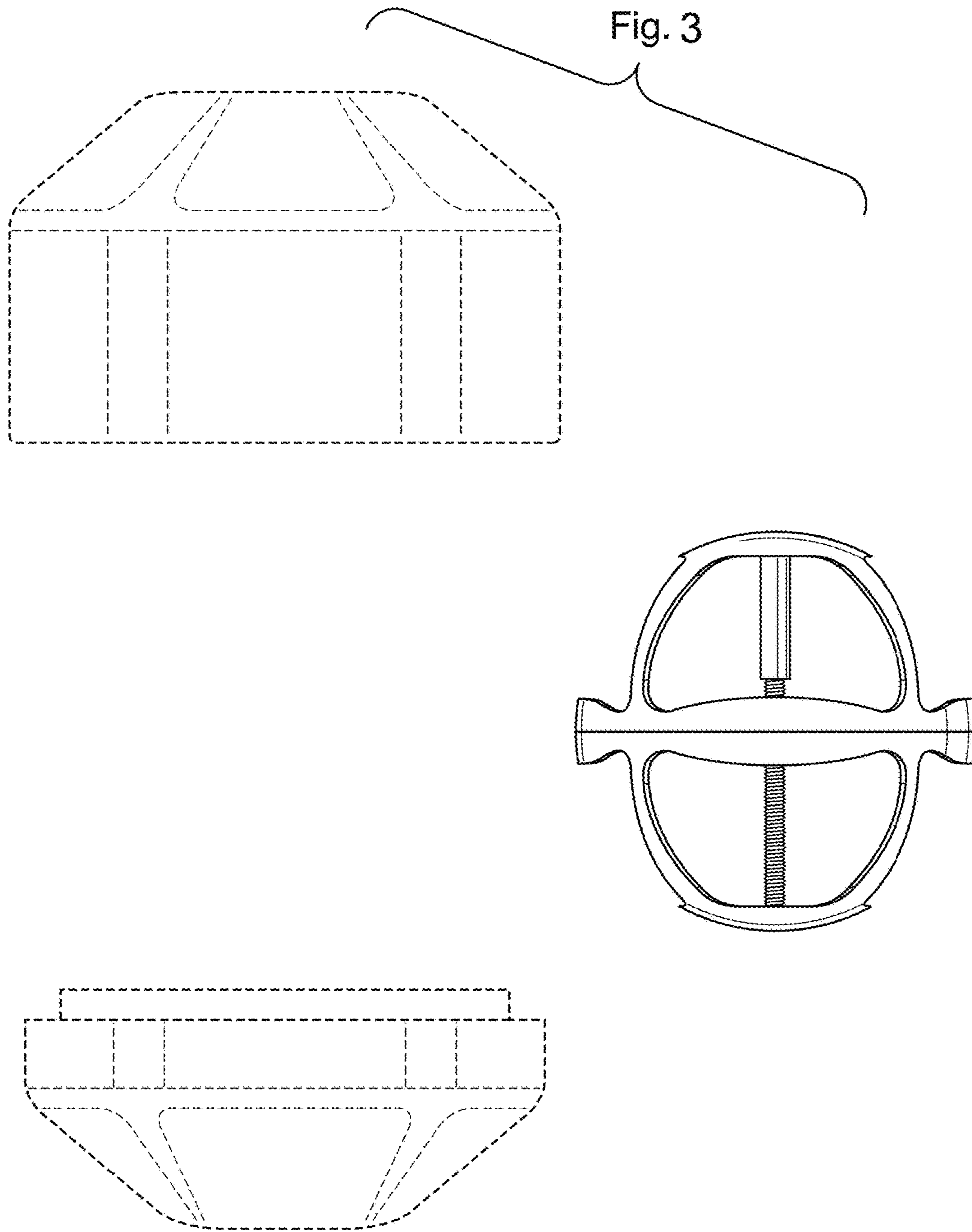


Fig. 2





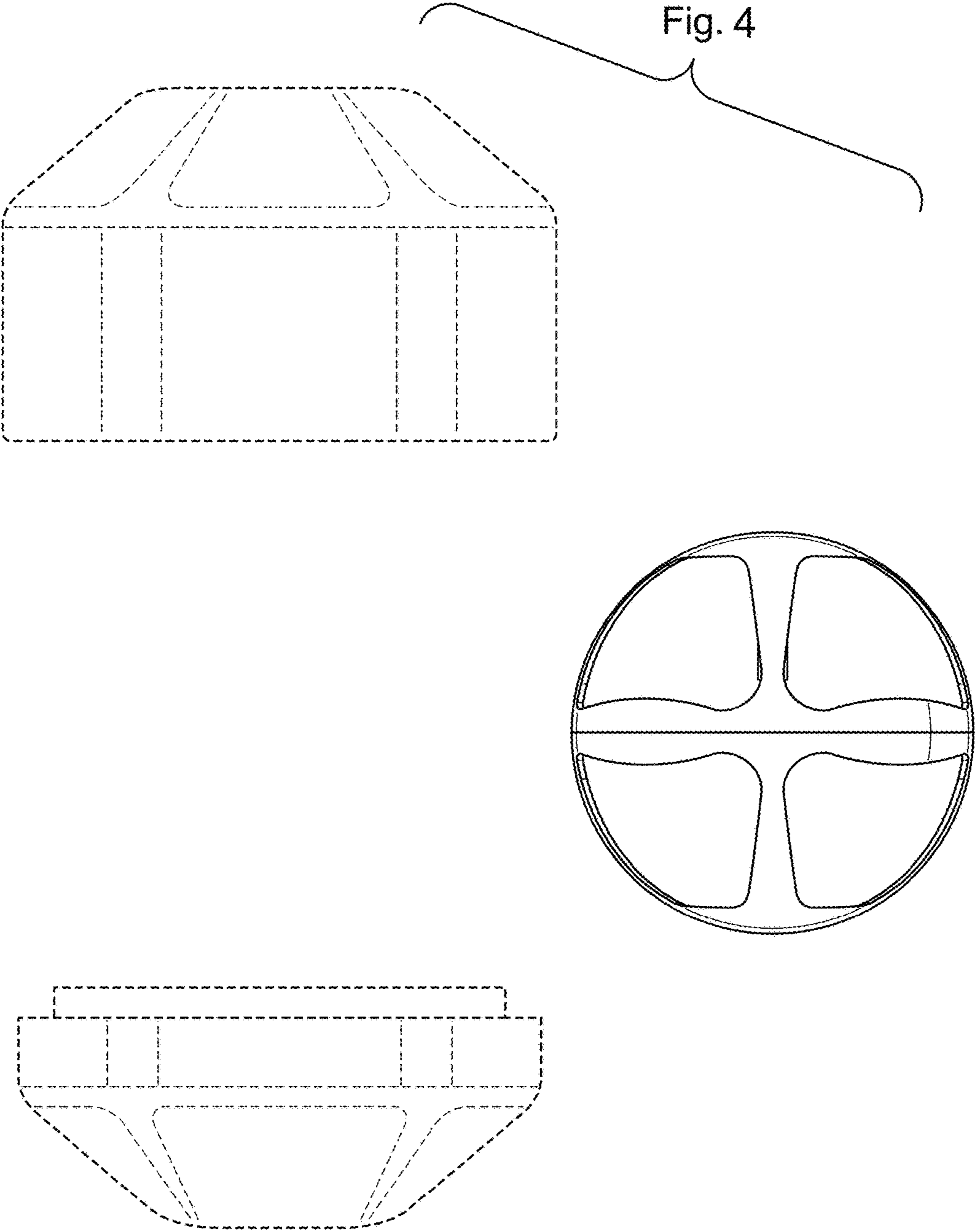


Fig. 5

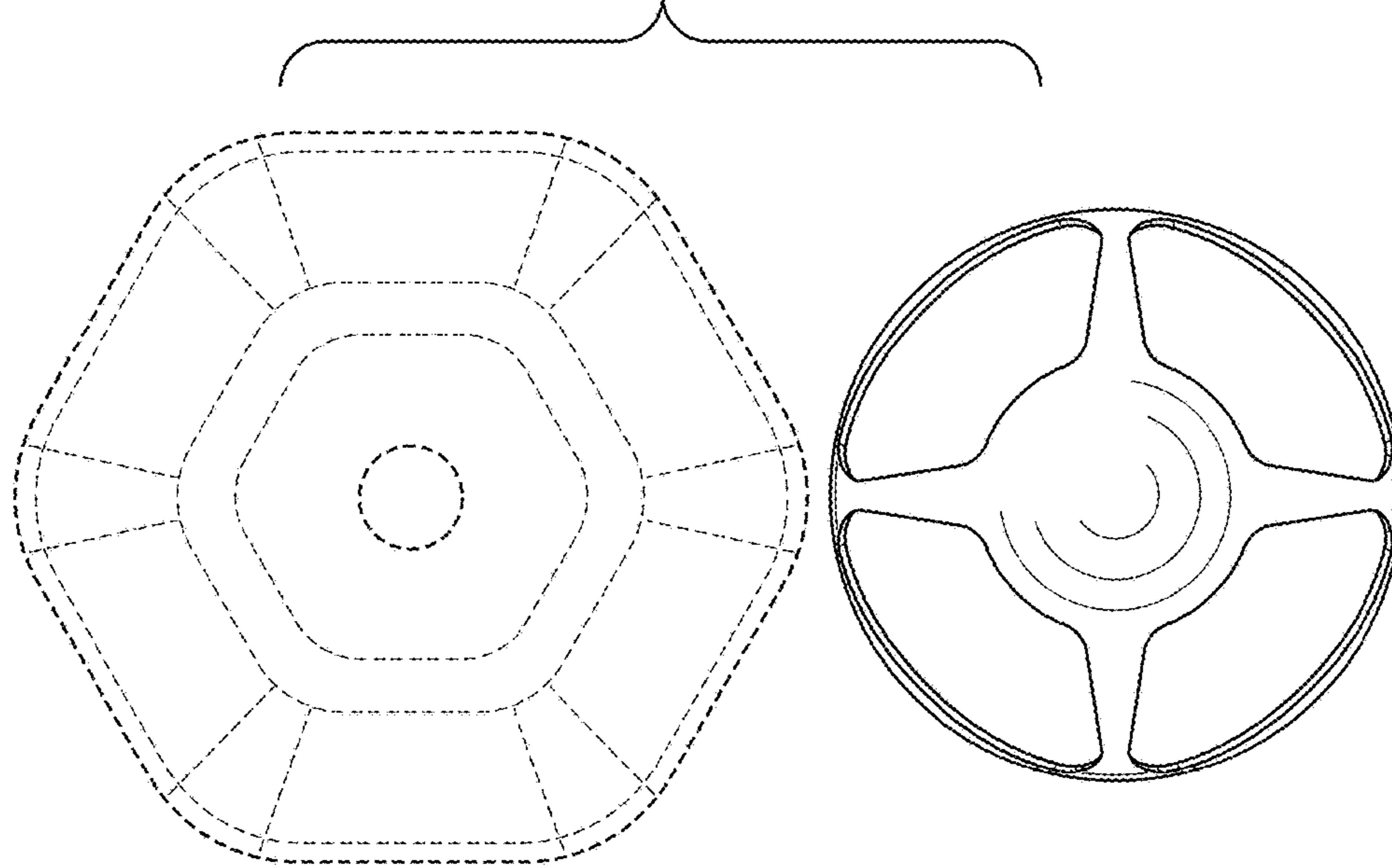


Fig. 6

