



US00D852236S

(12) **United States Design Patent** (10) **Patent No.:** **US D852,236 S**
Lee et al. (45) **Date of Patent:** **** Jun. 25, 2019**

(54) **REFRIGERATOR** F25D 2400/361; F25D 2500/02; F25D 2500/06;

(71) Applicant: **Samsung Electronics Co., Ltd.**, (Continued)
Suwon-si (KR)

(72) Inventors: **Junkyo Lee**, Seongnam-si (KR);
Hyeongju Seo, Seoul (KR); **Selim Yoon**, Seongnam-si (KR); **Sunmin Lee**, Seoul (KR); **Jongsu Jeon**, Seongnam-si (KR)

(56) **References Cited**

U.S. PATENT DOCUMENTS

2,267,486 A * 12/1941 West F25D 17/042
215/386
D143,060 S * 12/1945 Connell D15/89
(Continued)

(73) Assignee: **Samsung Electronics Co., Ltd.**,
Suwon-si (KR)

FOREIGN PATENT DOCUMENTS

KR 30-2002-0010138 3/2003
KR 30-2010-0005296 3/2011

(**) Term: **15 Years**

(Continued)

Primary Examiner — Khawaja Anwar

(21) Appl. No.: **29/633,149**

(74) *Attorney, Agent, or Firm* — NSIP Law

(22) Filed: **Jan. 12, 2018**

(57) **CLAIM**

(30) **Foreign Application Priority Data**

We claim the ornamental design for a refrigerator, as shown and described.

Aug. 17, 2017 (KR) 30-2017-0038256

DESCRIPTION

(51) **LOC (11) Cl.** **15-07**

FIG. 1 is a front perspective view of a refrigerator showing our new design;

(52) **U.S. Cl.**
USPC **D15/89**

FIG. 2 is a front view thereof;

(58) **Field of Classification Search**
USPC D15/79-91; D6/707, 707.7, 324, 705,
D6/705.7, 702, 706, 707.19, 675.3, 672,
D6/675, 675.1, 675.2, 449, 465, 468, 475,
D6/510-511, 574

FIG. 3 is a rear view thereof;

CPC F25D 23/028; F25D 11/02; F25D 23/126;
F25D 25/02; F25D 27/00; F25D 27/005;
F25D 23/025; F25D 23/04; F25D
2323/021; F25D 2323/023; F25D 23/062;
F25D 25/025; F25D 17/045; F25D
2325/021; F25D 2325/022; F25D 23/00;
F25D 23/02; F25D 23/067; F25D 23/069;

FIG. 4 is a left-side view thereof;

FIG. 5 is a right-side view thereof;

FIG. 6 is a top view thereof;

FIG. 7 is a bottom view thereof;

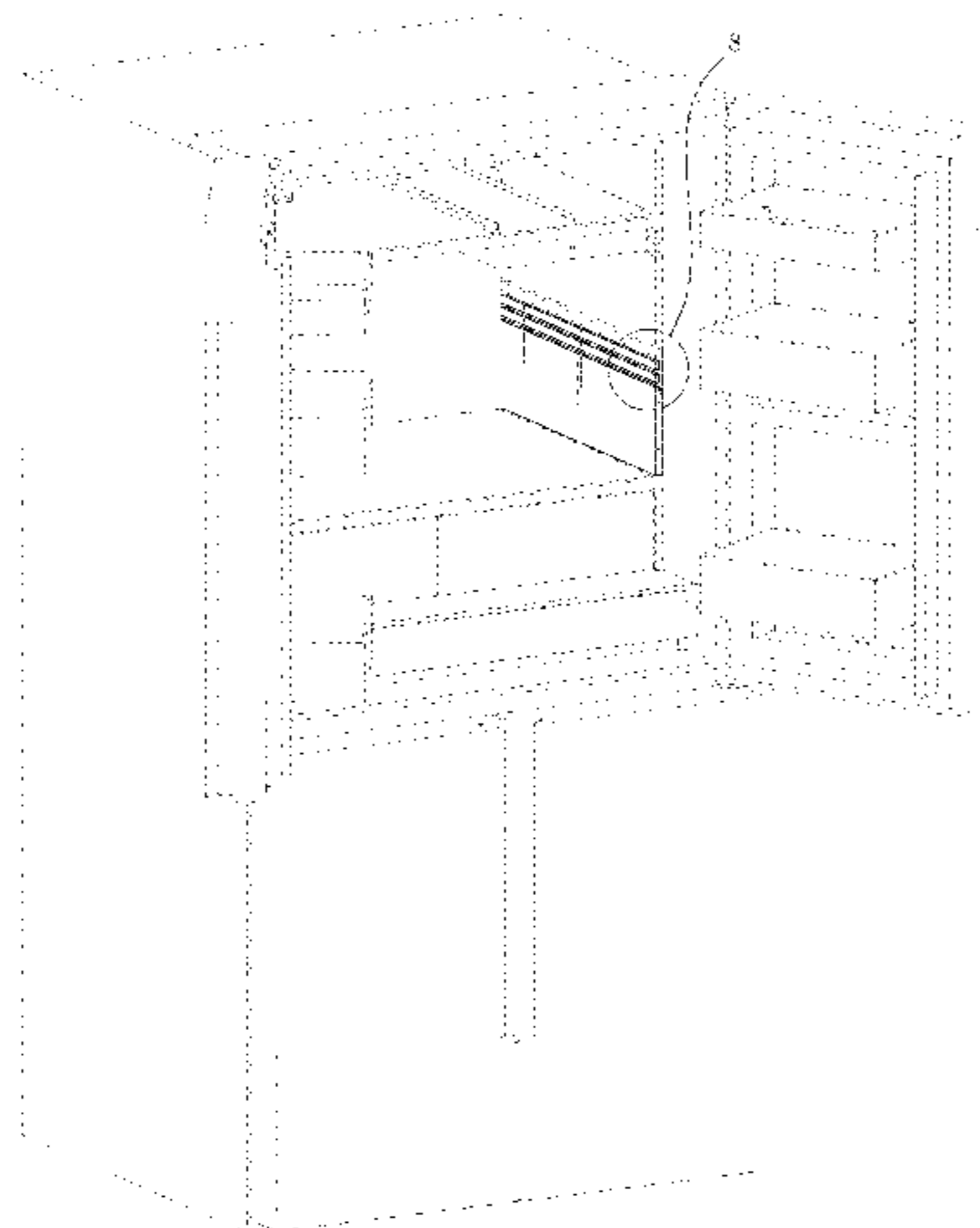
FIG. 8 is an enlarged view of the encircled portion of FIG. 1;

FIG. 9 is an enlarged view of the encircled portion of FIG. 2; and,

FIG. 10 is a front perspective view of the refrigerator shown in a state of use.

The broken lines in the figures illustrating portions of the refrigerator and environmental structure form no part of the claimed design.

(Continued)



The dot-dash broken lines encircling portions of the claimed design that are illustrated in enlargements form no part of the claimed design.

1 Claim, 10 Drawing Sheets

(58) Field of Classification Search

CPC F25D 25/024; F25D 29/00; F25D 11/00;
 F25D 11/022; F25D 17/065; F25D 21/04;
 F25D 2317/061; F25D 2317/063; F25D
 2317/0651; F25D 2317/0653; F25D
 2317/0661; F25D 2317/0665; F25D
 2323/121; F25D 2323/122; F25D
 2327/00; F25D 2327/001; F25D 2331/81;
 F25D 23/021; F25D 23/06; F25D 23/066;
 F25D 23/10; F25D 23/12; F25D 2400/00;
 F25D 2400/02; F25D 2400/04; F25D
 2400/16; F25D 2400/36; F25D 2400/40;
 F25D 25/022; F25D 25/027; F25D
 25/028; F25D 2600/02; F25D 2600/06;
 F25D 2700/00; F25D 2700/04; F25D
 2700/12; F25D 2700/122; F25D 2700/14;
 F25D 29/005; F25D 31/00; F25D 31/002;
 F25D 31/005

See application file for complete search history.

(56)

References Cited

U.S. PATENT DOCUMENTS

D334,201	S	*	3/1993	Purkapile	D15/89
D341,598	S	*	11/1993	Purkapile	D15/89
D382,572	S	*	8/1997	Greenway	D15/89
D425,974	S	*	5/2000	Esty	D23/354
D439,914	S	*	4/2001	Trulaske, Sr.	D6/703.5
D527,749	S	*	9/2006	Eveland	F25D 23/04 D15/89
D551,263	S	*	9/2007	Becke	D15/89
D556,793	S	*	12/2007	Braun	D15/89
D710,914	S	*	8/2014	Park	D15/89
D711,436	S	*	8/2014	Park	D15/89
D765,744	S	*	9/2016	Park	D15/89
D766,997	S	*	9/2016	Lee	D15/89
D767,651	S	*	9/2016	Heinzle	D15/89
D768,212	S	*	10/2016	Lee	D15/89
D809,573	S	*	2/2018	McConnell	D15/89
D836,140	S	*	12/2018	Jonas	D15/89

FOREIGN PATENT DOCUMENTS

KR	30-2012-0018661	7/2013
KR	30-2012-0041309	10/2013
KR	30-2012-0058711	11/2013

* cited by examiner

FIG. 1

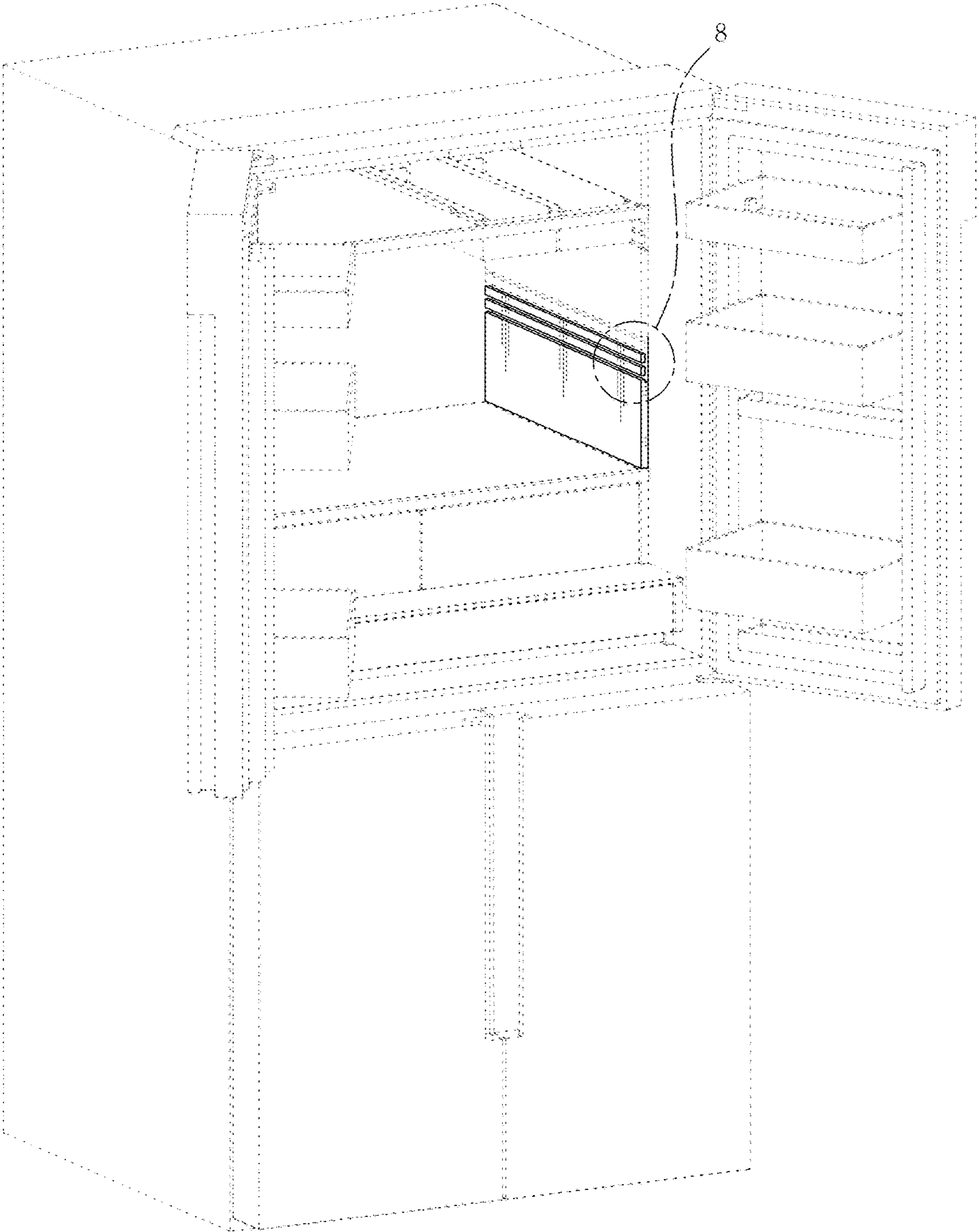


FIG. 2

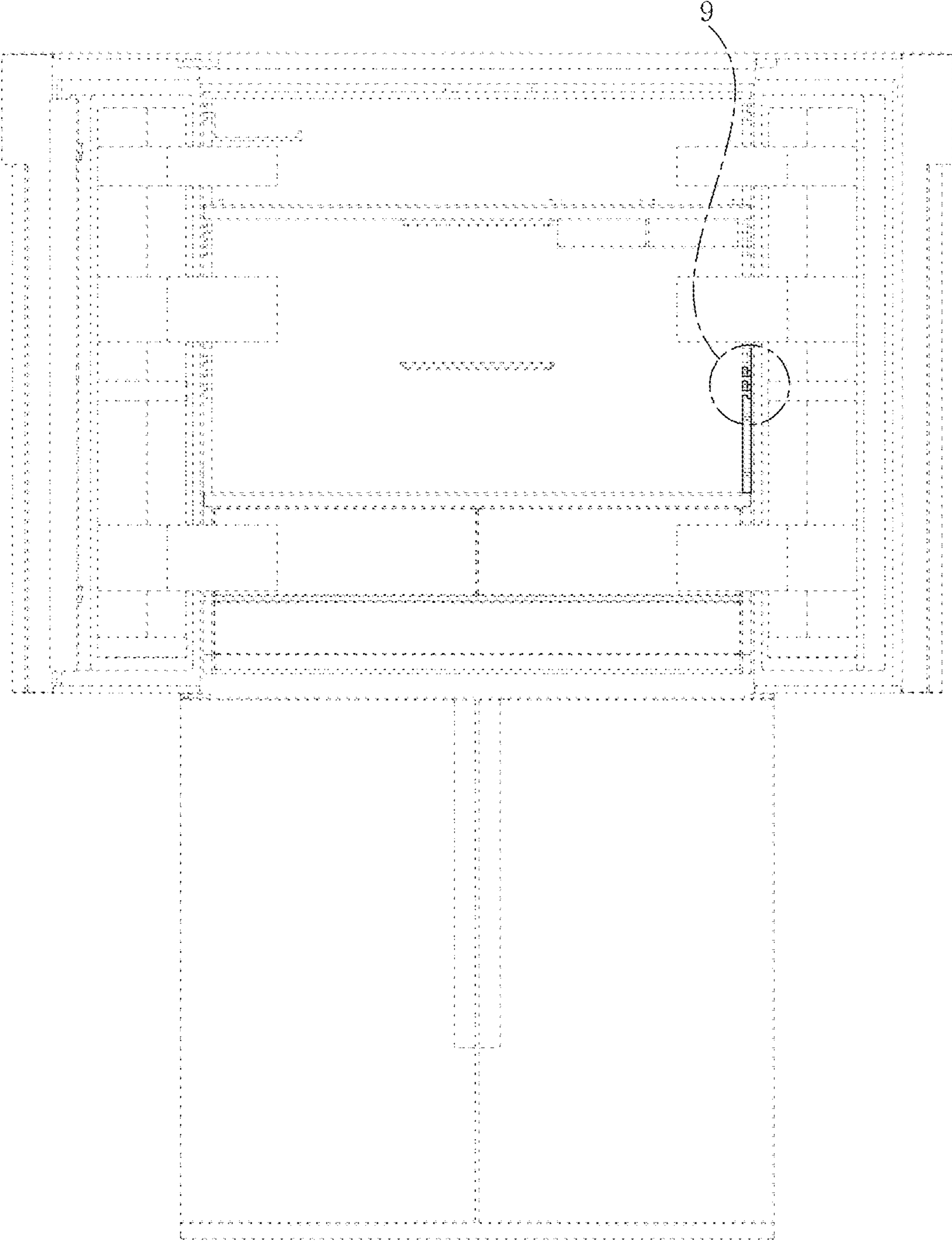


FIG. 3

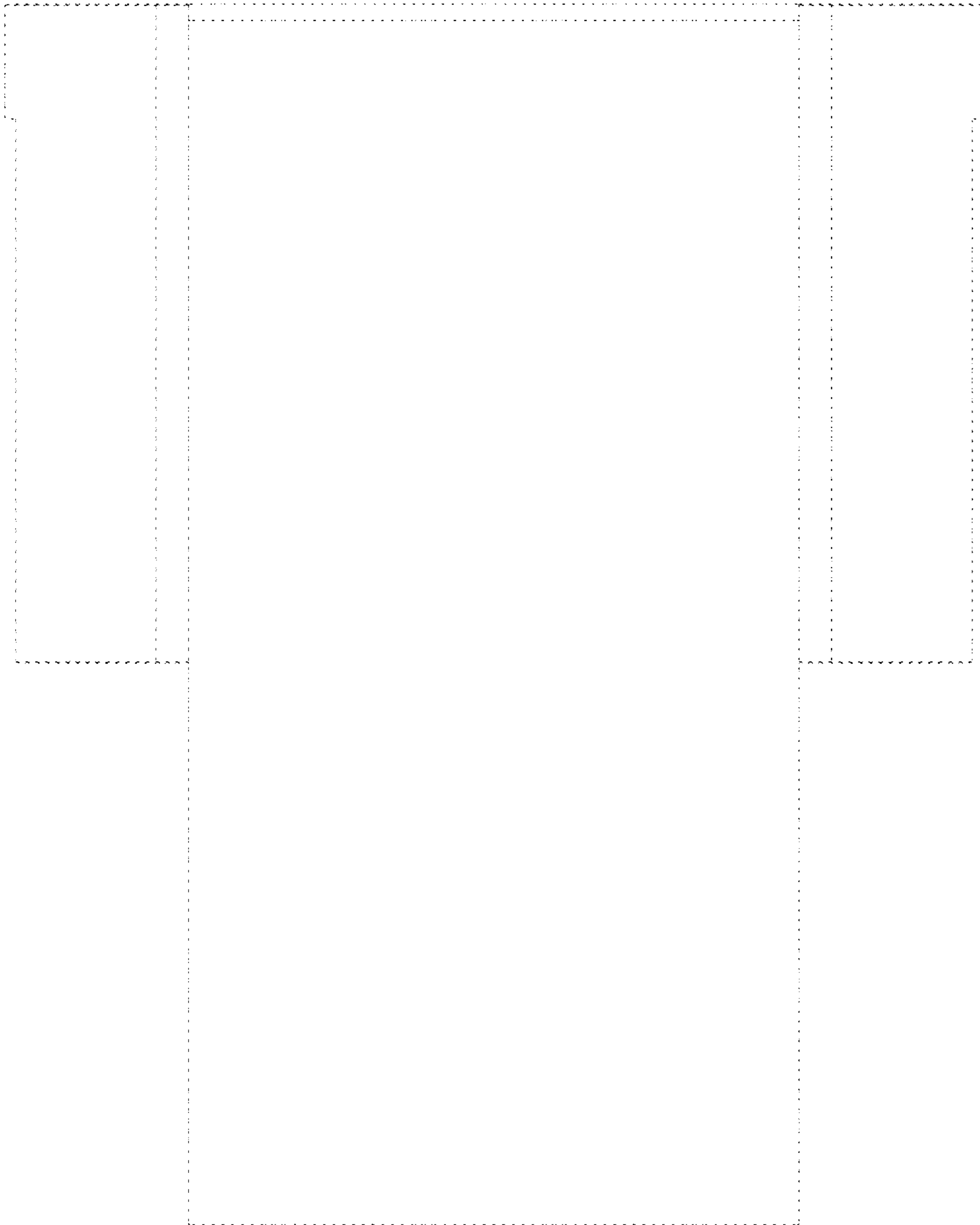


FIG. 4

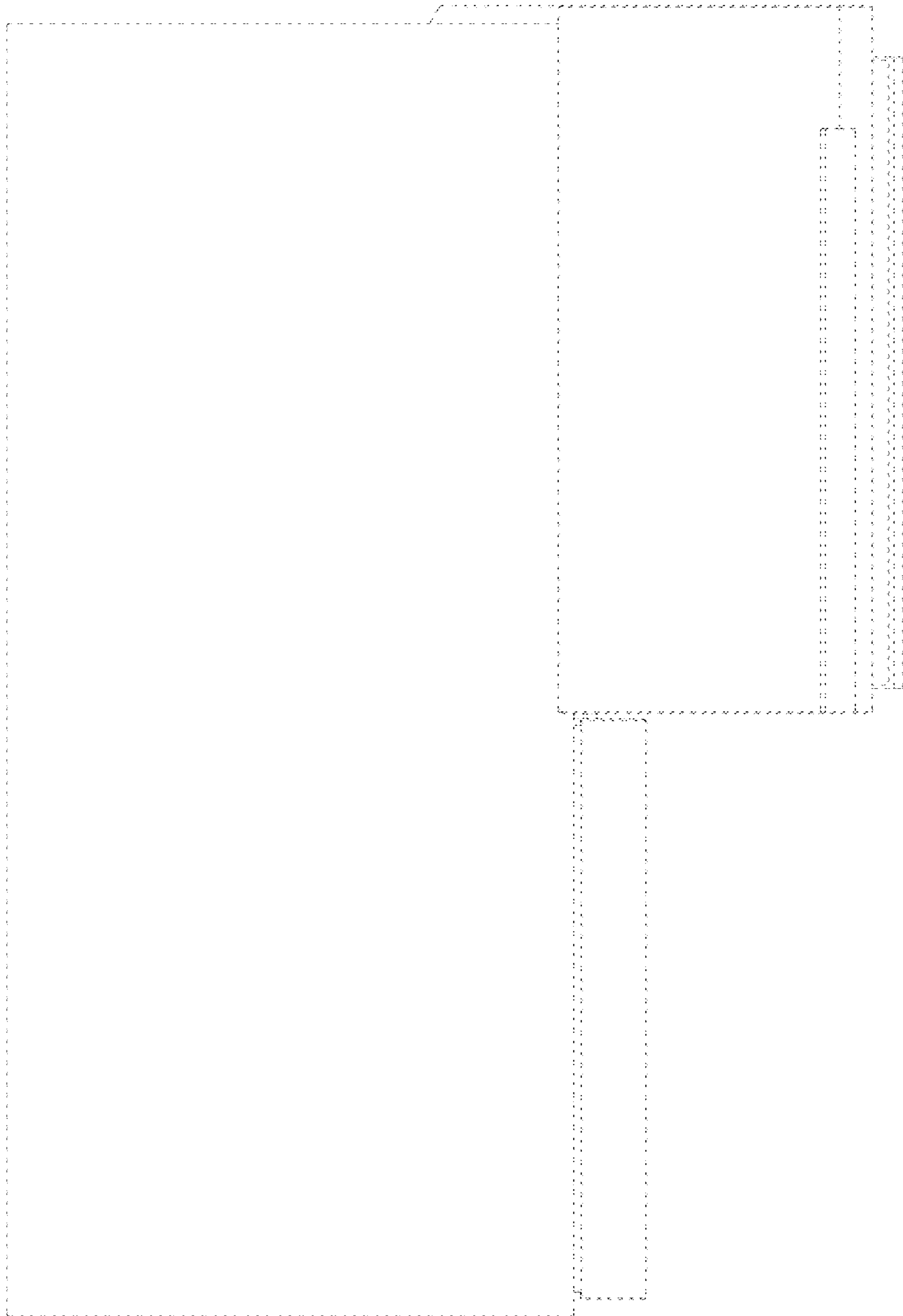


FIG. 5

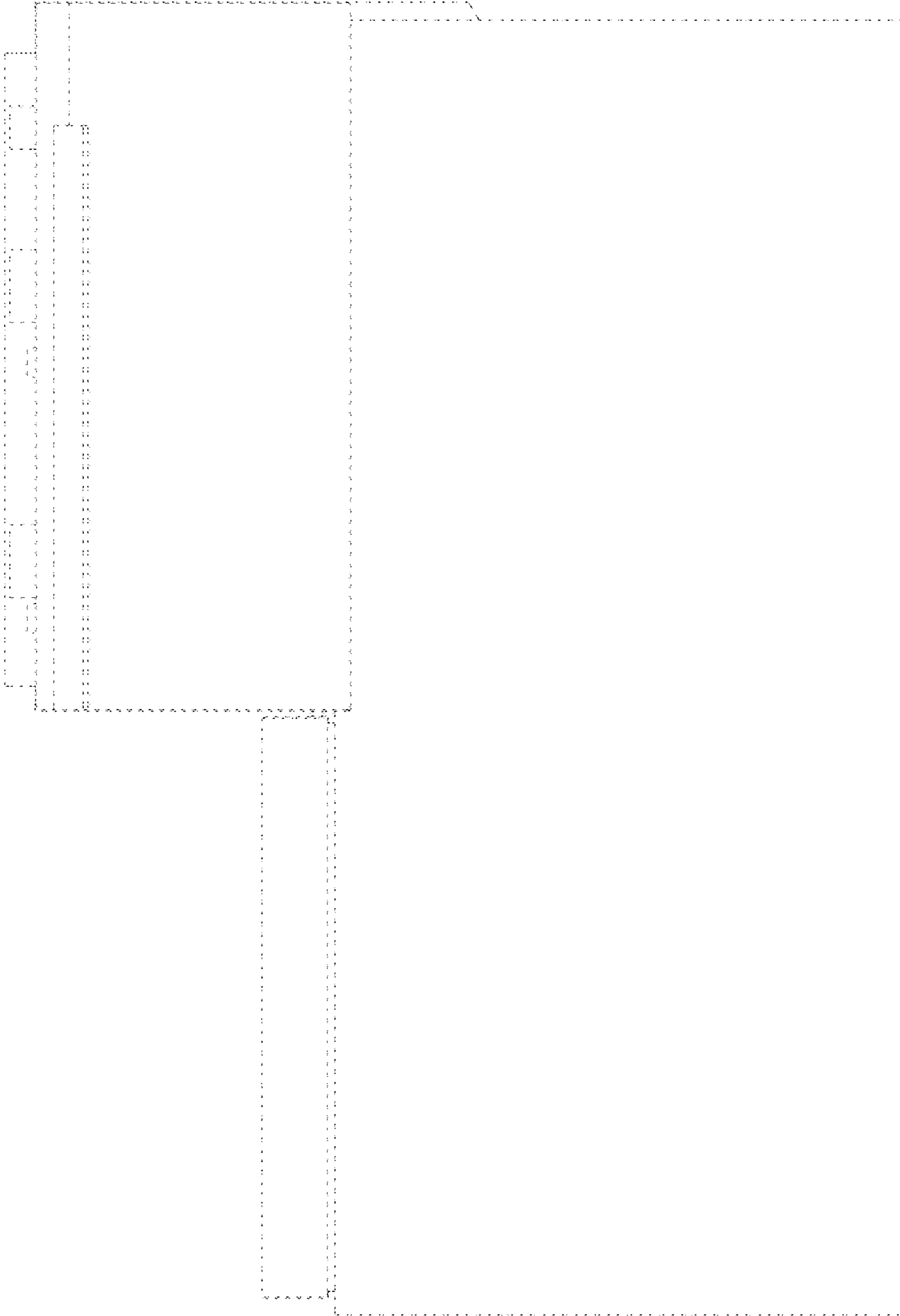


FIG. 6

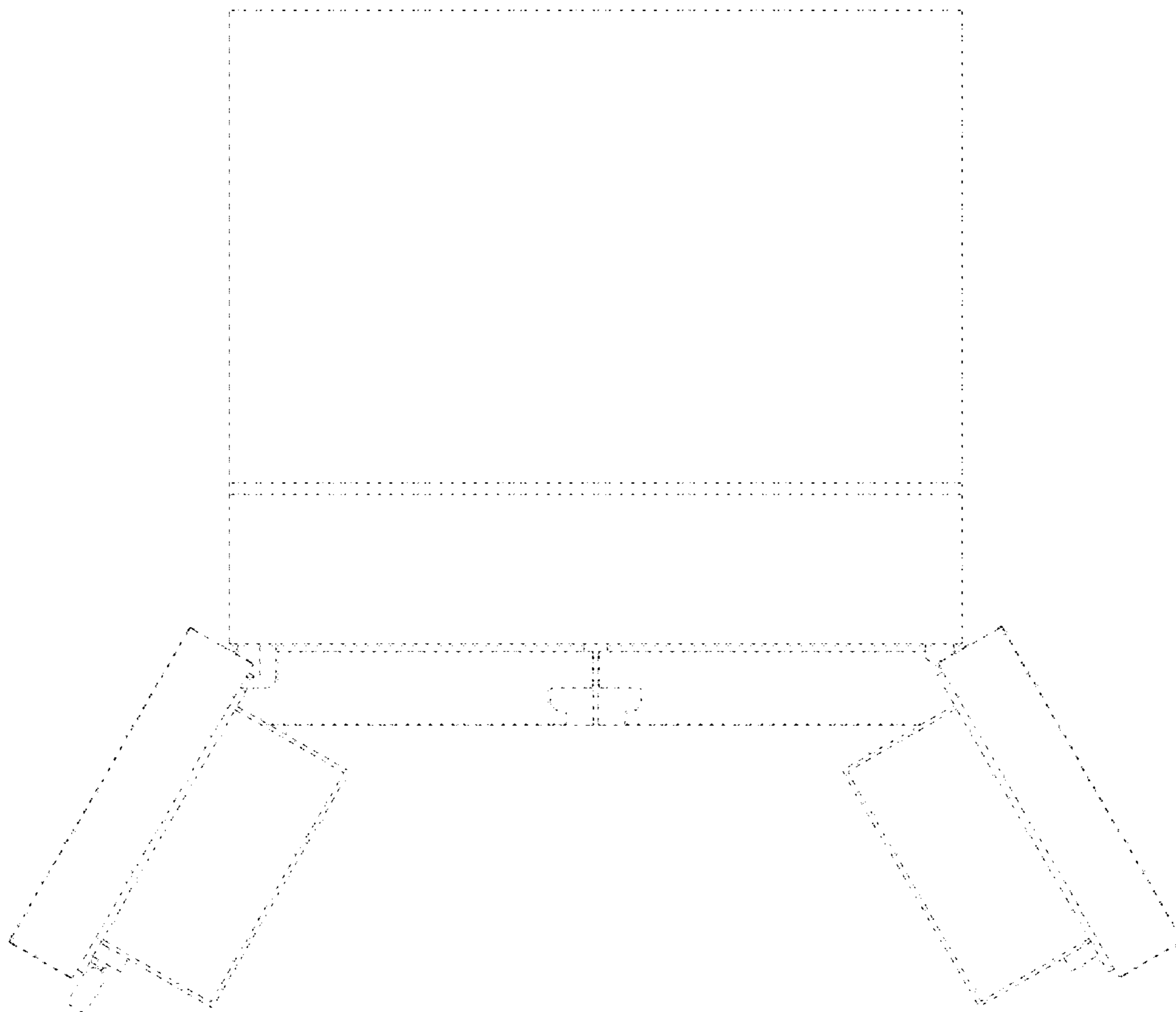


FIG. 7

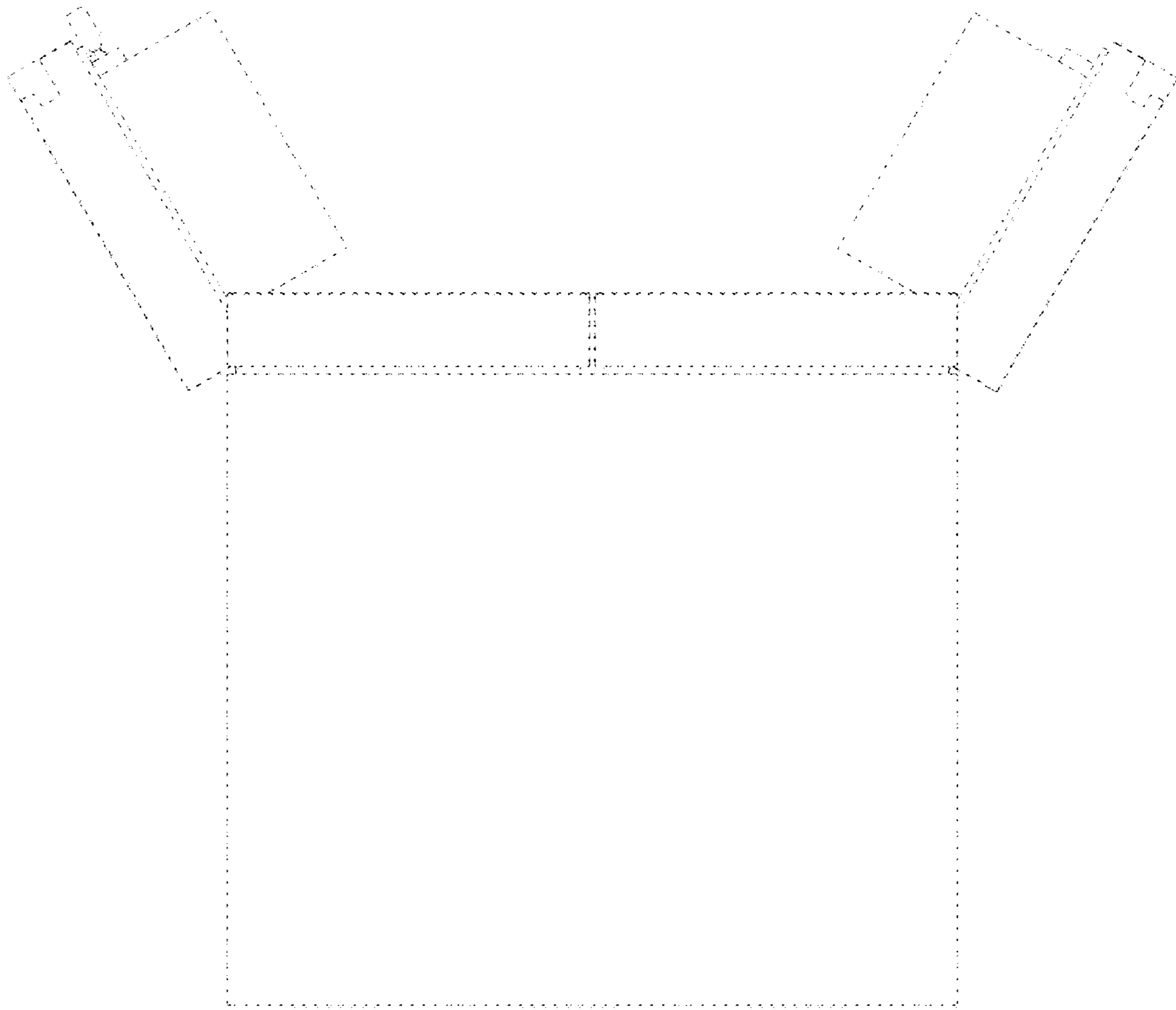


FIG. 8

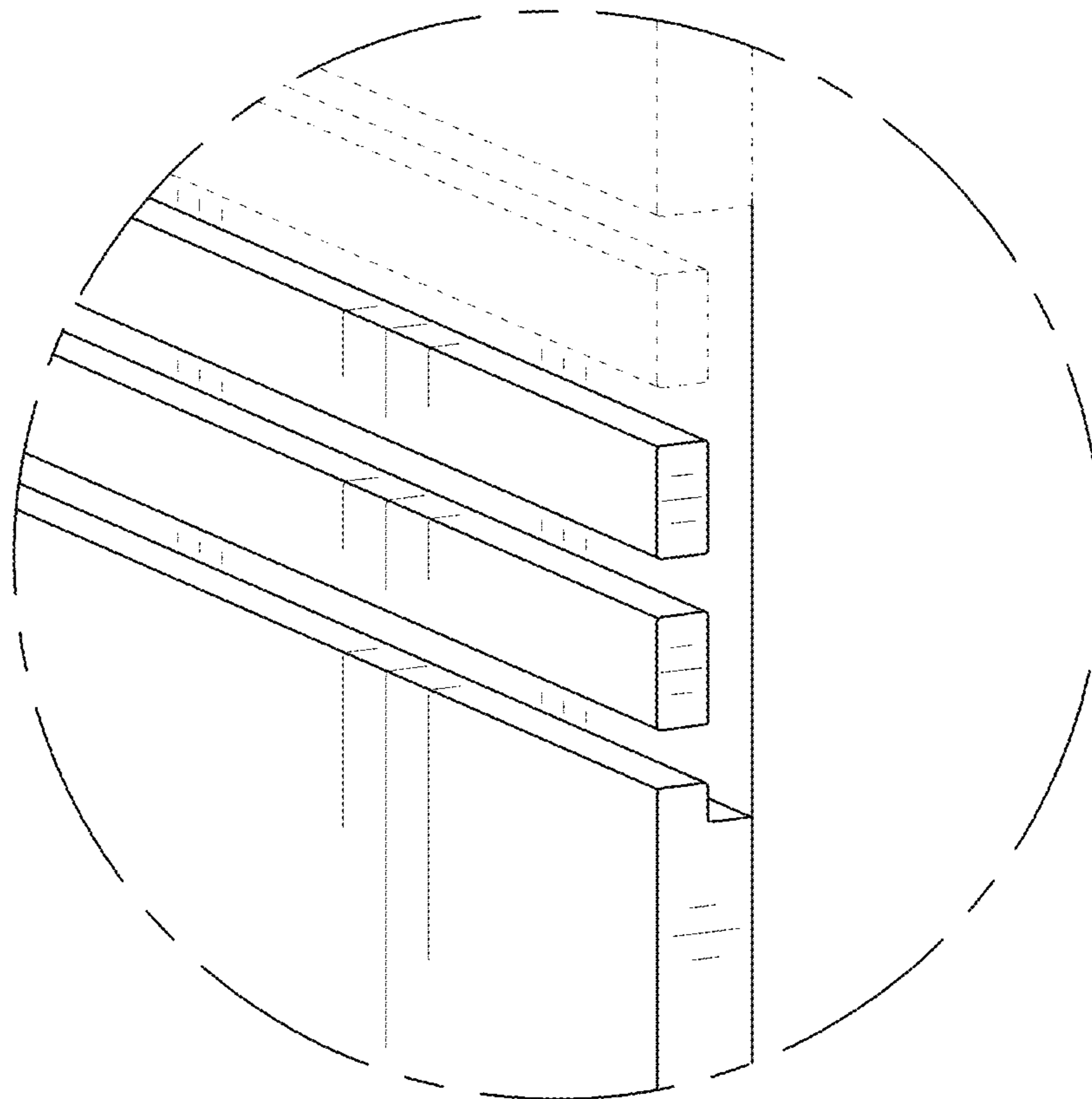


FIG. 9

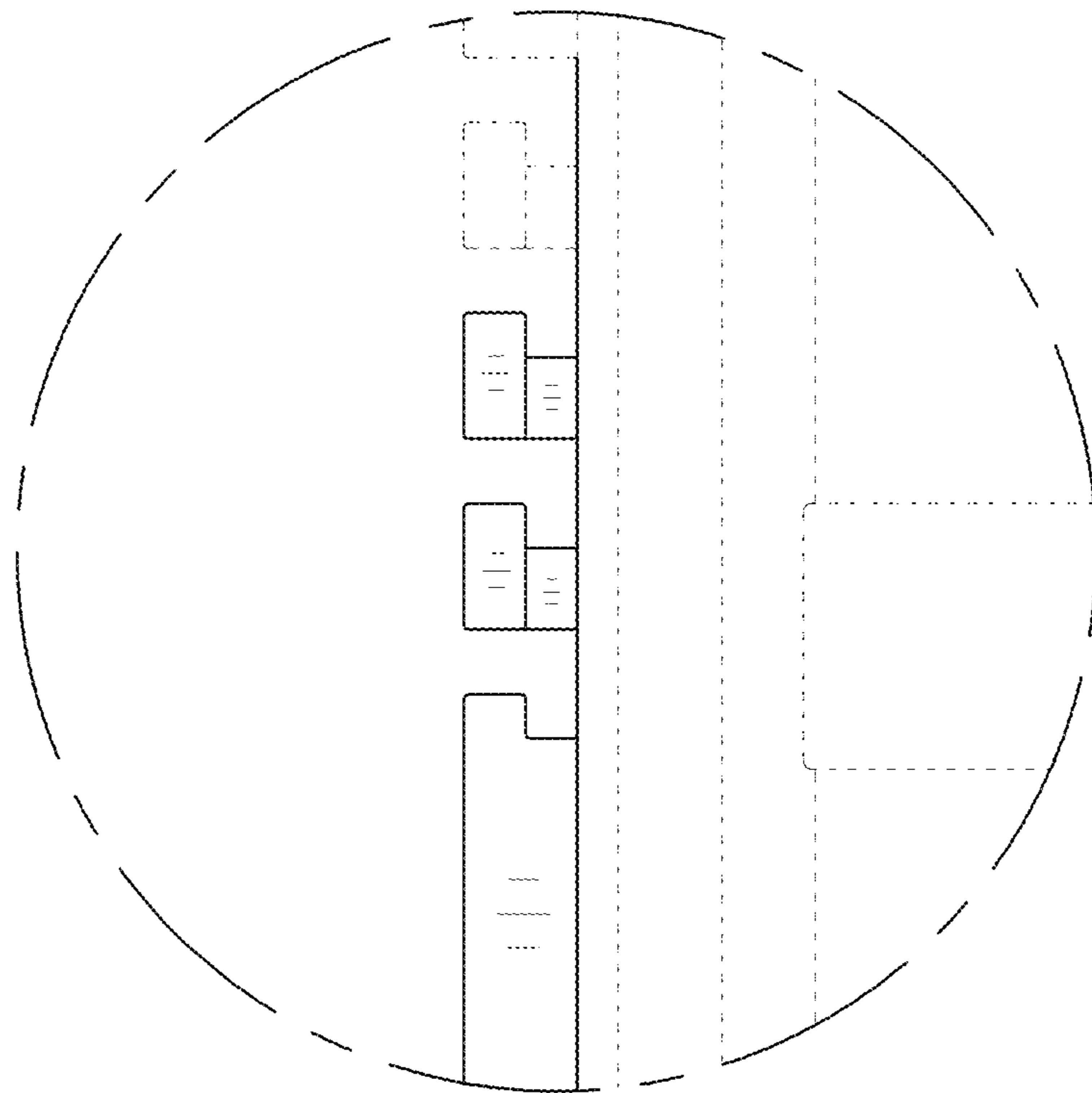


FIG. 10

